

# 1431 Series Powerglide® Door Closer



# Table of Contents

## 1431 Series Powerglide®

General Information .....	3
Features and Benefits .....	4
Standard Applications.....	5
Arms and Accessories for Standard Applications.....	6
Top Jamb Applications .....	7
Arms for Top Jamb Applications .....	8
Parallel Arm Applications.....	9
Heavy Duty Parallel Arms.....	10
Regular Duty Parallel Arms .....	11
Accessories for Parallel Applications.....	12
Track Type Applications.....	13
Suggested Architect's Specifications, ADA Compliance and General Information .....	14
Door Closer and Overhead Stop/Holder Compatibility Chart .....	15
How to Order .....	16

The 1431 line of surface mounted door closers has been engineered to meet the demands of architects and building owners. The 1431 Series is a complete line of closers for interior and exterior doors with quality and flexibility to meet virtually every application.

### Primary Closer Arm Identification Letters

O	Standard Arm
H	Hold Open Arm
Z	Deep Reveal Arm 2-1/8" to 5"
ZA	Extra Deep Reveal Arm 5-1/8" to 8"
P	Parallel Arm or Push Side
S	Arm with Positive Stop
C	Arm with Positive Cushioned Stop "C" is always accompanied by an "S" (Stop)

**Note:** Often more than one letter is used to describe one type of arm

### Underwriters' Laboratories Listing

All SARGENT Powerglide® Door Closers are listed by the Underwriters' Laboratories, Inc. as follows:

"For Self-Closing Doors Without Hold-Open Feature"

Any retrofit or other field modification to a fire rated opening can potentially impact the fire rating of the opening, and Sargent Manufacturing Company makes no representations or warranties concerning what such impact may be in any specific situation. When retrofitting any portion of an existing fire rated opening, or specifying and installing a new fire-rated opening, please consult with a code specialist or local code official (Authority Having Jurisdiction) to ensure compliance with all applicable codes and ratings.



### On The Cover

- SARGENT 1431 Door Closer with US26 plated O arm and metal cover

# General Information

## 1431 Series Powerglide®

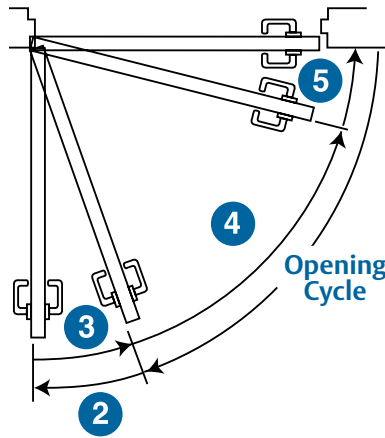
### 1 Closer Spring Adjustment (not shown)

- Effects the entire cycle of the door closer movement
- Used to size closer for application requirements
- Determines the amount of force with which the door closes and the amount of force required to open the door
- Adjustable to compensate for door size and draft conditions

### 2 Backcheck valve

- At approximately 70° of the open cycle, the Backcheck Valve begins to slow the door's motion
- Prevents the door from slamming into the door's stop
- Valve is used to control the intensity of the Backcheck
- **Note:** A Positive stop is required, Backcheck cannot be used as a stop

### Door Closer Cycle



### 3 Delayed action valve (Optional)

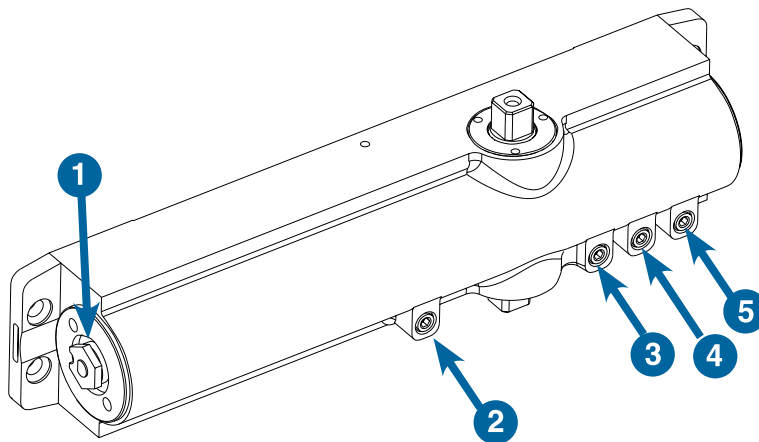
- Holds the door in the open position momentarily
- 20 second minimum hold open delay
- The feature is available for all applications and arms
- Beneficial when moving carts or objects thru door opening and ADA applications

### 4 Closing speed valve

- Controls how fast the door closes to approximately 8" from the closed position

### 5 Latching speed valve

- Controls the speed of the door during the final 8" of door swing
- The force the door closes with is controlled by the Closer spring
- **Note:** This adjustment is critical for door latching



### CAUTION: Door Closers for Low Opening Force Applications:

Door closers installed in openings required to meet the requirements of the Americans With Disabilities Act or ANSI/BHMA Standard A117.1, when adjusted to meet those requirements, may not provide adequate closing power to dependably close and latch the door based on opening or site conditions.

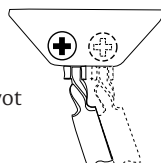
## ANSI Standards

ARM	TYPE	ARM	TYPE
O	CO2011	PF9	CO2101
P9	CO2021	P10	CO2021
H	CO2051	PS/CPS	CO2021
PH9	CO2061	CPSH/PSH	CO2061

All are certified ANSI types including options PT4 A, B, D, E, F, G, H

## Arm Leverage Adjustment

Closers using "O" arms have the provision to increase closing power by 15% by adjusting foot pivot



## How to Select the Proper Closer

### Things to Consider

#### 1. Size and Weight of Door

The 1431 Door Closer is non-sized so that closing force can be adjusted in the field to accommodate various door sizes and weights. **Consult factory if door weight exceeds 250 lbs.**

#### 2. Interior Application

The standard application is the most efficient in terms of power and control.

#### 3. Exterior Application

The top jamb, parallel arm application should be used. Exterior doors require greater closing forces because of draft conditions. Always place the closers out of the weather.

#### 4. Degree of Opening

Proper arm and position on the door is most important to permit the door to open far enough to allow adequate traffic flow.

#### 5. Function

Closers are available with hold-open or positive stop arms.

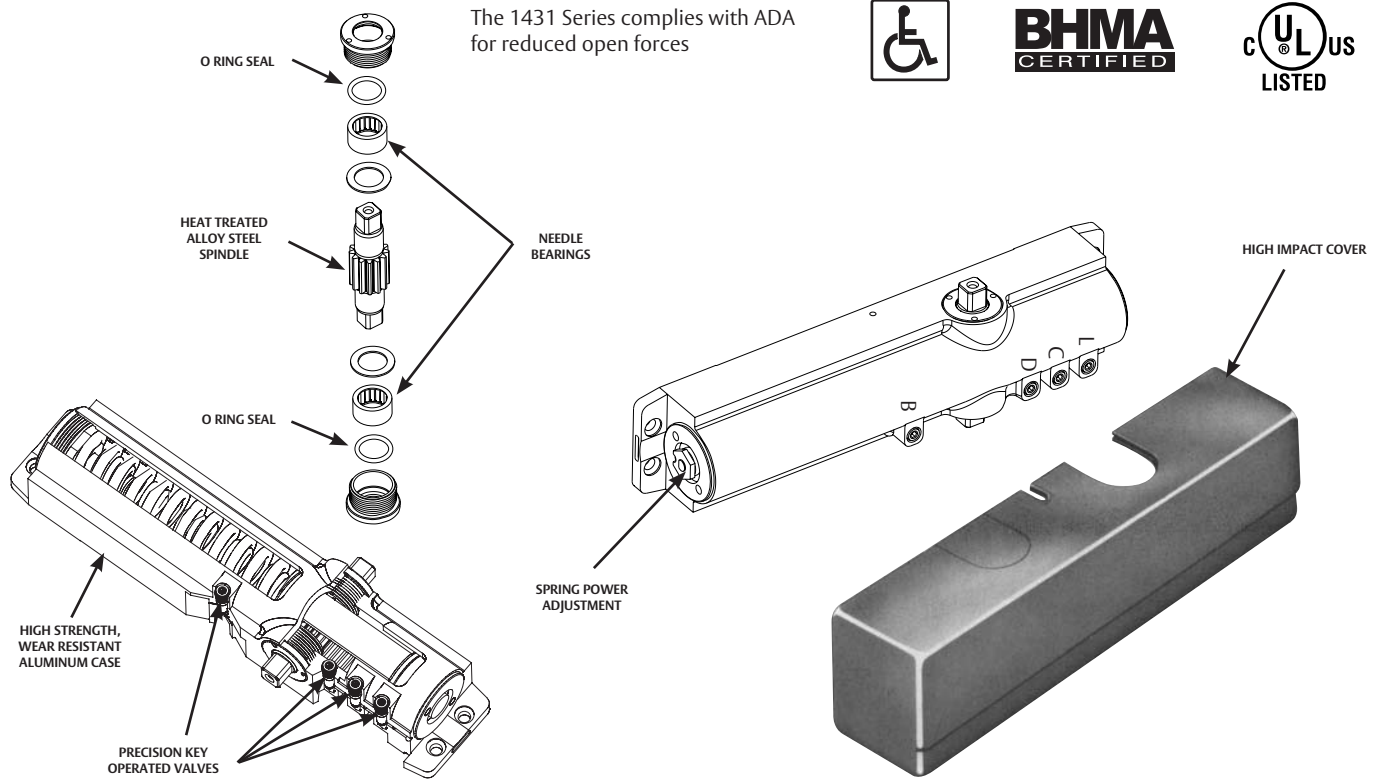
#### 6. Special Condition

Consult factory when special hinges, overhead holders or other specialized hardware is used.

# Features and Benefits

## 1431 Series Powerglide®

**SARGENT**  
ASSA ABLOY



The 1431 Series complies with ADA for reduced open forces



**BHMA**  
CERTIFIED

**UL** US  
LISTED

Copyright © 2004-2021, SARGENT Manufacturing Company. All rights reserved. Reproduction in whole or in part without the express written permission of SARGENT Manufacturing Company is prohibited. Patent pending and/or patent www.assaabloyds.com/patents.

### Features

- Exceeds 15 Million cycles
- Certified ANSI/BHMA A156.4 Grade 1
- UL 10C listed for positive pressure fire test
- UL / cUL listed for use on fire rated doors
- 30-year limited warranty
- User friendly versatile mounting applications permit standard, top jamb, parallel and track installations
- Self sticking templates supplied for most applications
- Adjustable spring power allows 1431 closers a size range of 1 through 6. They are adjusted to size 3 before leaving the factory
- One door closer body for all applications. All 1431 are non-handed
- Meets ADA requirements in all applications, except Push Side Track application (except track)
- High impact non-corrosive plastic covers with two machine screws standard, metal covers and lead lined are optional
- All weather fluid allows closer to operate effectively in extreme temperatures without readjustment
- 1-1/2" diameter piston for superior door control
- Standard pressure relief valves for both opening and closing cycles protect the door and frame from damage caused by abuse
- Retrofits existing SARGENT 1230/1231 Series Closer installations

### Heavy Duty Construction

- Heat treated full rack and pinion for high strength and wear resistance
- Heavy duty one piece high silicon content aluminum alloy body provides corrosion resistance, superior strength and wear resistance
- 1/2" arm engagement over a 7/16 square spindle ensures a wear-resistant tight joint

### Fasteners

- Machine Screws and self tapping screws provided for closer and arm
- In addition, wood screws supplied when installed on wood doors with through bolts

### Valves

- Separate brass low sensitivity control valves offer ability to separately regulate door speed, latching, backcheck and optional delayed action
- All valves are captured to prevent accidental removal, adjustable with an 1/8" Allen wrench
- Adjustable backcheck protects the door and hardware from damage during the opening cycle
- Adjustable delayed action (optional) permits easy access for physically impaired individuals

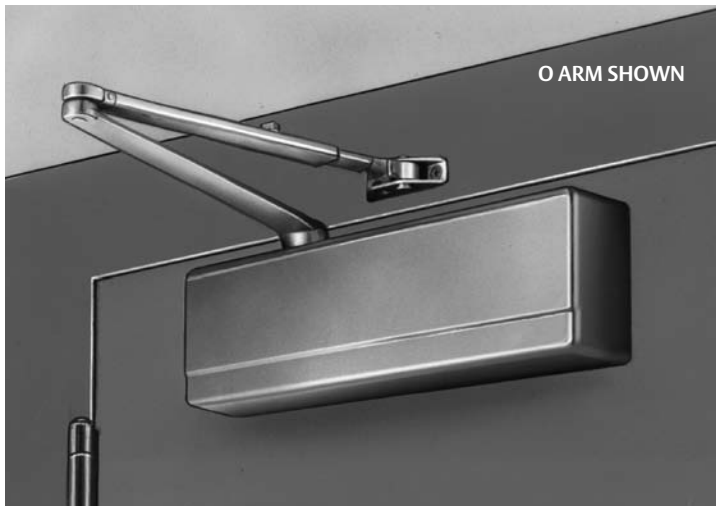
### Full Complement of Arm Types

- Standard and parallel arms
- Push and pull track arms
- Heavy duty forged steel arms are finely finished and interchangeable between SARGENT 281 and 1431, and 351 Series. The cold formed arms (RO/RP9) are unique to the 1431 series and not interchangeable with other SARGENT closers

90121 05/21

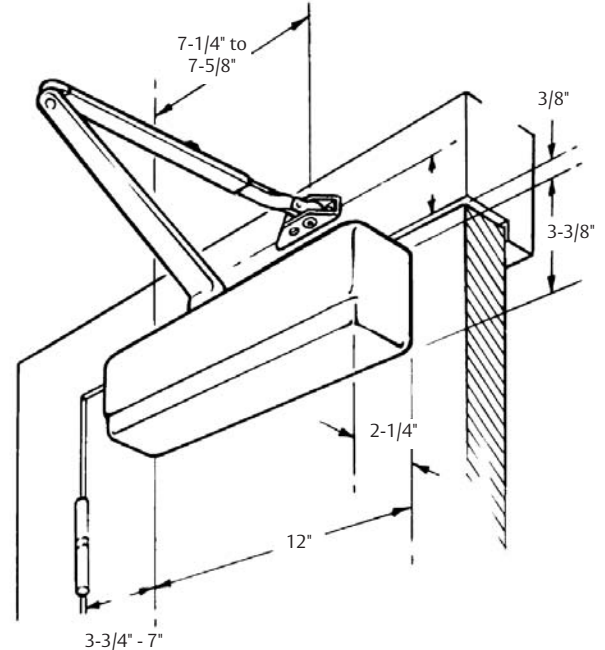
# Standard Applications

## 1431 Series Powerglide®



The standard application of the 1431 door closer is the most common and the most desirable. The closer mounts on the hinge (pull) side of door (except when the W Corner Bracket is used). **Note:** This application is not recommended on exterior doors swinging out, since the closer is not protected from weather. The cover projection normally limits the door opening to a maximum of 160°.

### 1431-O Standard Application



### 1431 Standard Application for:

- Interior Doors Opening In or Out
- Exterior Doors Opening In

### 1431 Standard Application Door Opening Range

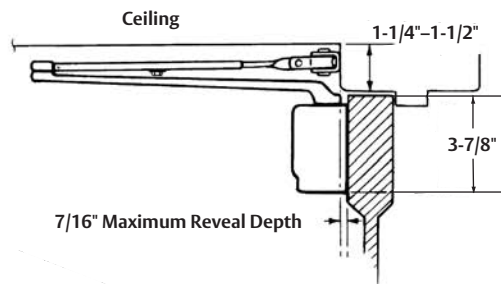
(Range based on Mounting Position)

- O & RO Standard Arms: 120°-180°
- H- Hold Open Arm: 90°-180°

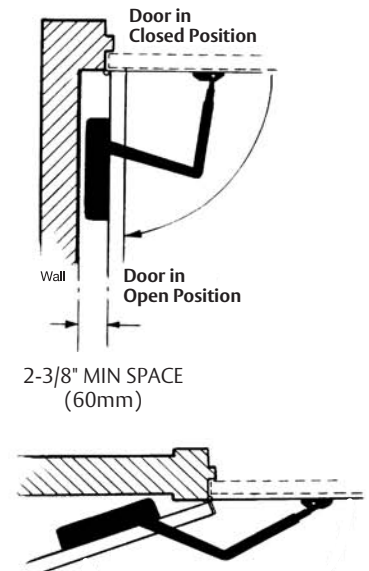
### OLC - Low Ceiling Application Arm for Ceiling to Door Clearance of 1-1/4" - 1-1/2"

Door Top Rail Requirement

- 2-5/8" min. rail (116mm)
- For Top Rails less than 3-3/4" with window opening, the 1431-J Cover Plate is recommended



### Wall Clearance Requirement



Cover Projection normally limits door opening to 160°

Consult factory if door weight exceeds 250 lbs.

# Arms and Accessories for Standard Applications

## 1431 Series Powerglide®

**SARGENT**  
**ASSA ABLOY**

### O - Standard Arm

- Forged Steel Arm 11-1/4" (286mm) long
- Non-handed
- Permits 120° door opening with standard mounting
- Permits 180° door opening with alternate mounting or corner bracket



For arm only, order as 25-O x finish  
Includes: 63-2607 - Main arm and link assembly  
63-2216 - Foot assembly  
64-2407 - Screw pack

### RO Regular Arm

- Cold Formed Steel Arm 11-1/4" (286mm) long
- For reveal depths up to 2" (51mm)
- Arm is not handed
- Permits 180° door opening



For arm only, order as 25-RO x finish  
Includes: 63-3396 - Main arm and link assembly  
63-2216 - Foot assembly  
64-2407 - Screw pack

### H - Hold Open Arm

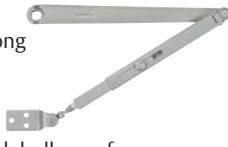
- Forged Steel Arm 11-1/4" (286mm) long
- Non-handed
- Hand is changed by inverting the foot assembly
- Friction type holder easily adjusted by a wrench
- Permits 180° door opening
- Holds open from 80° - 180°



For arm only, order as 25-H x finish  
Includes: 63-3070 - Main arm and swivel assembly  
61-2303 - Foot assembly  
64-2407 - Screw pack

### O8 - Mortise Foot Arm

- Forged Steel Arm 11-1/4" (286mm) long
- Non-handed
- Permits 120° door opening
- Commonly used with bull nose frames



For arm only, order as 25-O8 x finish  
Includes: 63-2607 - Main arm and link assembly  
63-2273 - Foot assembly  
64-2407 & 63-2391 - Screw packs

### H8 - Mortise Foot Hold Open Arm

- Forged Steel Arm 11-1/4" (286mm) long
- Handed same as door
- Friction type holder easily adjusted by a wrench
- Holds open from 80° - 180°



For arm only, order 25 R-H8 x finish for right hand or 25 L-H8 x finish for left hand  
Includes: 63-3070 - Main arm & link assembly  
63-2289 - Left hand foot assembly  
63-2290 - Right hand foot assembly  
63-2290RH - Foot assembly  
64-2407 & 63-2391 - Screw packs

### OLC - Standard Arm for Low Ceiling

- Forged Steel Arm 11-1/4" (286mm) long
- Non-handed
- Must be used when the distance between the top of door to ceiling is less than 1-1/4" (32mm)
- Permits 120° door opening with standard mounting



For arm only, order as 25-OLC x finish  
Includes: 63-2549 - Main arm and link assembly  
63-2216 - Foot assembly  
64-2407 - Screw pack

### UH Package

- Universal hold open arm package provides brackets and arms to install closer in top jamb, standard or parallel applications



125-PH9



### UO/RUO Packages

- Universal arm package provides brackets and arms to install closer in standard top jamb or parallel applications



125-P9



### 1431-W Corner Bracket

- Fastens securely to both the head and jamb
- Malleable iron, painted to match closer finish
- Non-handed
- Requires 1-1/4" (32mm) minimum wide stop
- Order as 1431-W x finish



### 1431-J Cover Plate



- Can be used to improve appearance when narrow door rail permits closer to be viewed through glass panel. Specify finish.

# Top Jamb Applications

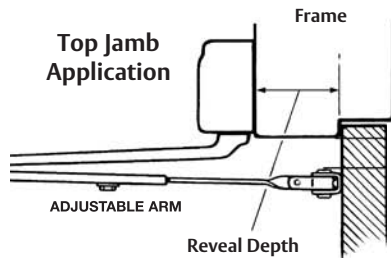
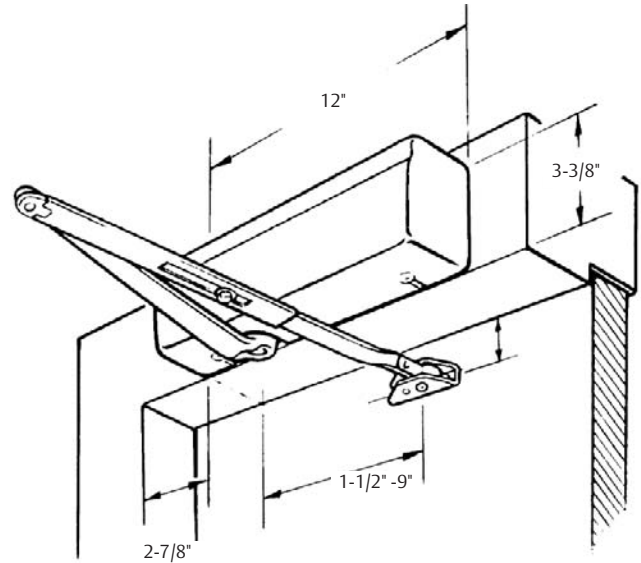
## 1431 Series Powerglide®



OZ ARM SHOWN

Top Jamb applications – The 1431 closer is mounted on the frame face above the door. The foot is mounted on the push side of door. This application is for use on exterior doors opening out to protect the closer from the weather.

### 1431-O Top Jamb Mounting Position



#### Minimum Frame Face Required

- 1-3/4" (44mm) for both single and double rabbeted frames

#### Minimum Door Top Rail Required to Mount Closer Foot

- 1-7/8" (48mm) minimum
- Rail height required depends on type and make of auxiliary holder if used

#### Adjustable Closing Force

- Interior doors to 5'0" wide
- Exterior doors to 4'0" wide
- Shipped factory preset for 3'0" door
- Factory pre-sized upon request

### 1431-O Typical Reveal Top Jamb Applications

For reveals up to 2" (51mm) maximum

- O or RO Arms - Max. Door Opening: 180°
- H Arm - Hold Open Range: 80° – 180°

### 1431-OZ Deep Reveal Top Jamb Applications

For reveals from 2-1/8" (54mm) to 5" (127mm)

- OZ Arm - Max. Door Opening: 140°
- HZ Arm - Hold Open Range: 80° – 140°

### 1431-OZA Extra Deep Reveal Top Jamb Applications

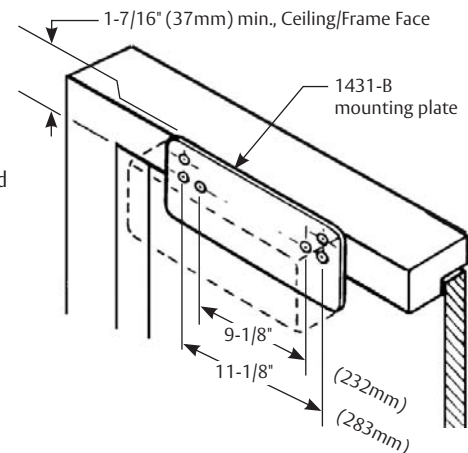
For reveals from 5-1/8" (130mm) to 8" (203mm)

- OZA Arm - Max. Door Opening: 140°
- HZA Arm - Hold Open Range: 80° – 130°

### Top Jamb Application for Low Ceilings using 1431-B Mounting Plate



- Required for low ceiling condition and narrow face frames
- Available w/powder coat or plated finish to match cover
- Non-handed
- Plate mounting screws included
- Order as 1431-B x finish



Consult factory if door weight exceeds 250 lbs.

# Arms for Top Jamb Applications

1431 Series Powerglide®

**SARGENT**  
**ASSA ABLOY**

## Narrow Reveal Arms

### O - Standard Arm

- Forged Steel Arm  
11-1/4" (286mm) long
- For reveals  
up to 2" (51mm)
- Non-handed
- Permits 180° door  
opening



For arm only, order as 25-O x finish  
Includes:

63-2607 - Main arm and link assembly  
63-2216 - Foot assembly  
64-2407 - Screw pack

### RO Regular Arm

- Cold Formed Steel Arm  
11-1/4" (286mm) long
- Non-handed
- Permits 120° door  
opening with standard  
mounting
- Permits 180° door opening  
with alternate mounting or  
corner bracket



For arm only, order as 25-RO x finish  
Includes:

63-3396 - Main arm and link assembly  
63-2216 - Foot assembly  
24-2407 - Screw pack

### H - Hold Open Arm

- Forged Steel Arm  
11-1/4" (286mm) long
- For reveals up to  
2" (51mm)
- Adjustable friction  
holder
- Non-handed
- Permits 180° door  
opening



For arm only, order as 25-H x finish  
Includes:

63-3070 - Main arm and link assembly  
61-2303 - Foot assembly  
64-2407 - Screw pack

## Deep Reveal Arms

### OZ - Standard Arm for Deep Reveals

- Forged Steel Arm  
11-1/4" (286mm) long
- For reveals from  
2-1/8" (54mm)  
to 5" (127mm)
- Non-handed
- Permits 140° door opening



For arm only, order as 25-OZ x finish  
Includes:

63-2607 - Main arm and link assembly  
63-2217 - Foot assembly  
64-2407 - Screw pack

### HZ - Hold Open Arm for Deep Reveals

- Forged Steel Arm  
11-1/4" (286mm) long
- For reveals from  
2-1/8" (54mm)  
to 5" (127mm)
- Adjustable friction holder
- Non-handed
- Permits 140° door opening



For arm only, order as 25-HZ x finish

Includes:  
63-2230 - Main arm and link assembly  
61-2303 - Foot assembly  
64-2407 - Screw pack

## Extra Deep Reveal Arms

### OZA - Standard Arm for Extra Deep Reveal

- Forged Steel Arm  
11-1/4" (286mm) long
- For reveals  
5-1/8" (130mm)  
to 8" (203mm)
- Non-handed
- Permits 140° door opening



For arm only, order as 25-OZA x finish  
Includes:

63-2607 - Main arm and link assembly  
63-2218 - Foot assembly  
64-2407 - Screw pack

### HZA - Hold Open Arm for Extra Deep Reveal

- Forged Steel Arm  
11-1/4" (286mm) long
- For reveals  
5-1/8" (130mm)  
to 8" (203mm)
- Adjustable friction  
holder
- Non-handed
- Permits 140° door opening



For arm only, order as 25-HZA x finish

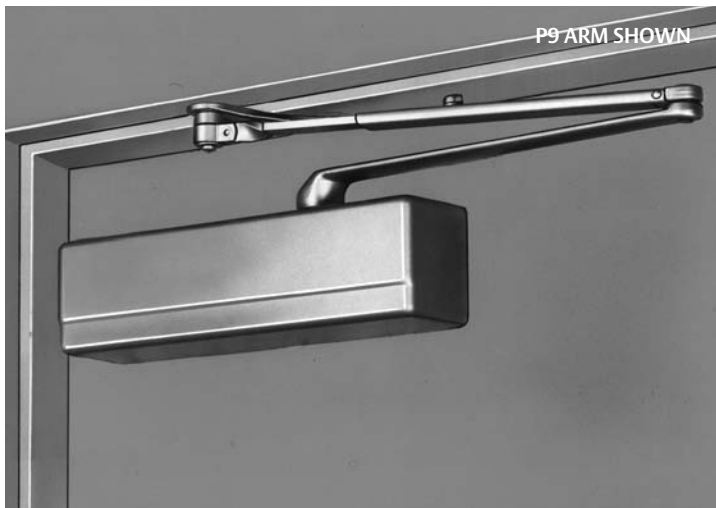
Includes:  
63-2231 - Main arm and link assembly  
61-2303 - Foot assembly  
64-2407 - Screw pack



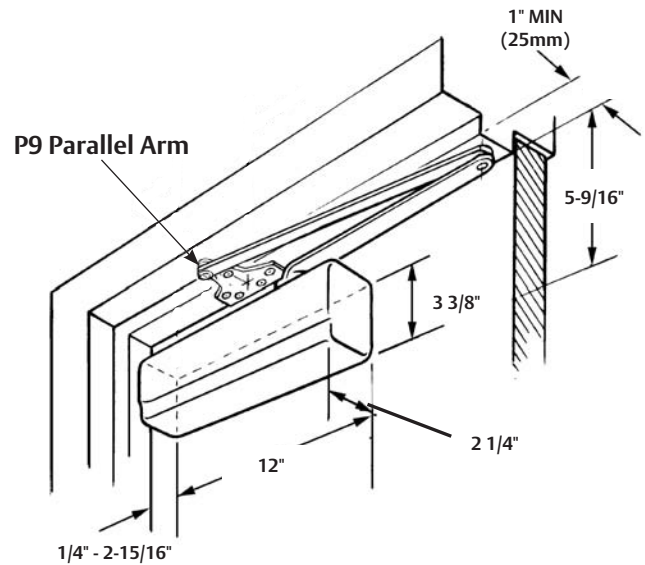
# Parallel Arm Applications

1431 Series Powerglide®

**SARGENT**  
**ASSA ABLOY**



## 1431-P9 Regular Parallel Arm Application



Parallel Arm Applications – The 1431 closer is mounted on the push side of the door with the arm under the frame parallel to the face of the door. This application is well suited for narrow face frames and deep reveal applications. The closer arm does not project into the room, and the door can be swung open much farther than in Top Jamb Application.

## Heavy Duty Parallel Arms

### For use in high traffic and abusive environments

- Friction and positive hold open arms available
- Use friction hold open arms for doors subject to moderate hold open use
- Use positive stop hold open arms for doors subject to frequent hold open use
- Dead stop and compression stop arms available

### Non hold-open arms

- Two mounting positions for 120° and 180° maximum door openings

### Stop arms

- 6 mounting positions allow stop from 85° – 110°

### Positive stop hold open arms

- 6 mountings provide hold open positioning from 85° – 110°

### Friction hold open arm

- Two mountings provide adjustable hold open positions from 75° – 180°

## Regular Duty Parallel Arms

### Available Arms for institutional installations:

- Regular Duty Parallel Arms
- Offset Bracket Arms for use with Auxiliary Holders & Stops
- Parallel flush frame arms
- Flush frame arms for use with Auxiliary Holders & Stops
- Flush frame, friction hold open arms
- Friction hold open arms
- Use friction hold open arms for doors subject to moderate hold open use

### Standard Mounting Position

- 120° Maximum door opening
- Holding range of friction hold open arms: 75° – 110°

### Alternate Mounting Position

- Maximum door opening: 180°
- Holding range of friction hold open arms: 85° – 170°

Consult factory if door weight exceeds 250 lbs.

# Heavy Duty Parallel Arms

1431 Series Powerglide®

**SARGENT**  
**ASSA ABLOY**

## P10 - Heavy Duty Parallel Arm



- Forged Steel Arm 11-1/4" (286mm) long
- Non-handed
- Easily installed
- Permits 120° opening at standard mounting
- Permits 180° opening at alternate mounting

For arm only, order as 25-P10 x finish  
Includes: 63-0641 - Main arm  
63-3727 - Arm and bracket assembly  
64-2407 & 63-2392 - Screw packs

## PS - Heavy Duty Parallel Arm with Positive Stop



- Forged Steel Arm 11-1/4" (286mm) long
- Handed arm is field-reversible
- Provides built in stop from 85° – 110°
- Permits 110° opening maximum
- Easily installed
- Permits 85° – 110° door opening

For arm only, order as 25-PS x finish  
Includes: 63-0641 - Main arm  
63-3837 - Arm and bracket assembly  
64-2407 & 63-2392, 63-2396 - Screw packs

## CPS - Heavy Duty Parallel Arm with Compression Stop



- Forged Steel Arm 11-1/4" (286mm) long
- Provides built in compression stop from 85° – 105°
- Permits 105° opening maximum
- Easily installed
- Handed arm is field-reversible
- Dead stop within 3°

For arm only, order as 25-CPS x finish  
Includes: 63-0641 - Main arm  
63-3830 - Arm and bracket assembly  
63-0516 - Bumper holder  
63-3493 - Bumper  
64-2407 & 63-2398 - Screw packs

## PH10 - Heavy Duty Friction Hold Open Parallel Arm



- Equipped with adjustable friction holder
- Adjustable hold open from 75° – 180°
- Forged steel arm 11-1/4" (286mm) long
- Handed same as door
- Use friction hold open arms for doors subject to moderate hold open use

For arm only, order as 25-PH10 x finish  
Includes: 63-0641 - Main arm  
63-3839 - Left hand arm and bracket assembly  
63-3840 - Right hand arm and bracket assembly  
64-2407 & 63-2392 - Screw packs

## PSH - Heavy Duty Parallel Hold Open Arm with positive Stop



- Provides holder and stop features
- Handed arm is field-reversible
- Easily installed/adjusted
- Permits 85° – 110° door opening

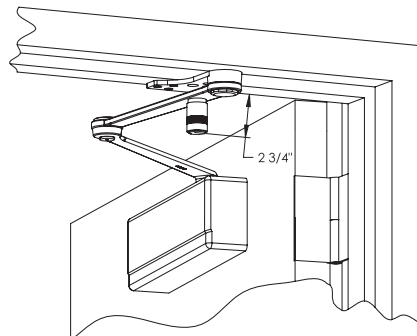
For arm only, order as 25-PSH x finish  
Includes: 63-0641 - Main arm  
63-3833 - Arm and bracket assembly  
64-2407 & 63-2392, 63-2396 - Screw packs

## CPSH - Heavy Duty Hold Open Parallel Arm with Compression Stop



- Forged Steel Arm 11-1/4" (286mm) long
- Handed arm is field-reversible
- Provides built in compression stop and holder mechanism from 85° – 105°
- Easily installed/adjusted
- Permits 105° opening maximum
- Dead stop within 3°

For arm only, order as 25-CPSH x finish  
Includes: 63-0641 - Main arm  
63-3836 - Arm and bracket assembly  
63-0516 - Bumper holder  
63-3493 - Bumper  
64-2407 & 63-3487 - Screw packs



The PSH and CPSH arms project 2 3/4" below the head stop

## Positive Stop Hold Open Arms (PSH & CPSH ARMS)

- Use on doors subject to repetitive hold open use
- 6 hold open angle installation
- Hold open function may be disengaged
- Hold open tension is easily adjustable

Copyright © 2004-2021, SARGENT Manufacturing Company. All rights reserved. Reproduction in whole or in part without the express written permission of SARGENT Manufacturing Company is prohibited. Patent pending and/or patent www.assaabloyds.com/patents.

90121 05/21

10

1-800-727-5477 • www.sargentlock.com

Experience a safer and more open world

# Regular Duty Parallel Arms

1431 Series Powerglide®

## Hold Open Arms

### PH4 - Flush frame, Friction Hold Open Arm

- Forged Steel Arm 11-1/4" (286mm) long
- Holds open from 75° – 180°
- Easily adjusted by wrench
- Non-handed
- Use on frames where stop or soffit is too narrow to mount the standard hold open foot bracket



For arm only, order as 25-PH4 x finish  
Includes: 63-3070 - Main arm and link assembly  
61-2303 - Foot assembly  
64-0050 - Foot bracket  
64-2407 & 63-2391 - Screw packs

### PH9 - Friction Hold Open Arm

- Forged Steel Arm 11-1/4" (286mm) long
- Holds open from 75° – 180°
- Easily adjusted by wrench
- Non-handed



For arm only, order as 25-PH9 x finish  
Includes: 63-3070 - Main arm and link assembly  
61-2303 - Foot assembly  
64-0039 - Foot bracket (125 PH9)  
64-2407 & 63-2391 - Screw packs

## Offset Bracket Arms

### P3 - 1" Offset Bracket for use with Auxiliary Holder/Stop

- Forged Steel Arm 11-1/4" (286mm) long
- For use with auxiliary surface overhead stops and holders
- Foot bracket is offset 1" more than P-9, allowing door closer to be lowered on door face
- Non-handed



For arm only, order as 25-P3 x finish  
Includes: 63-2607 - Main arm and link assembly  
63-2270 - Foot assembly  
64-2407 & 63-2391 - Screw packs

### P3A - 1-3/4" Offset Bracket for use with Auxiliary Holder/Stop

- Forged Steel Arm 11-1/4" (286mm) long
- For use with auxiliary surface overhead stops and holders and door coordinators
- Foot bracket lowers door closer an additional 3/4" below P3 bracket
- Non-handed



For arm only, order as 25-P3A x finish  
Includes: 63-2607 - Main arm and link assembly  
63-2274 - Foot assembly  
64-2407 & 63-2391 - Screw packs

### P4 - Parallel Flush frame Arm

- Forged Steel Arm 11-1/4" (286mm) long
- Foot bracket is attached to frame or transom face
- For use where stop or soffit is too narrow for the standard P9
- Permits 120° opening with standard mounting
- Permits 180° opening with alternate mounting
- Non-handed



For arm only, order as 25-P4 x finish  
Includes: 63-2607 - Main arm and link assembly  
63-2295 - Foot assembly  
64-2407 & 63-2391 - Screw pack

### P4A - Flush Frame Arm for use with Auxiliary Holder/Stop

- Forged Steel Arm 11-1/4" (286mm) long
- For use with auxiliary surface overhead stops and holders
- Foot bracket is attached to frame or transom face
- Foot bracket lowers door closer an additional 3/4" below P4 bracket
- Non-handed



For arm only, order as 25-P4A x finish  
Includes: 63-2607 - Main arm and link assembly  
63-2272 - Foot assembly  
64-2407 & 63-2391 - Screw packs

### RP9 Regular Arm

- Cold Formed Steel Arm 11-1/4" (286mm) long
- Arm is not handed
- Permits 120° opening with standard mounting
- Permits 180° opening with alternate mounting



For arm only, order  
Includes: 63-3396 - Main arm and link assembly  
63-2271 - Foot assembly  
64-2407 & 63-2391 - Screw Packs

### P9 - Standard Parallel Arm

- Forged Steel Arm 11-1/4" (286mm) long
- Non-handed



For arm only, order as 25-P9 x finish  
Includes: 63-2607 - Main arm and link assembly  
63-3405 - Foot assembly  
64-2407 & 63-2391 - Screw packs

### UO/RUO Packages

- Universal arm package provides arms and brackets to install closer in standard top jamb or parallel application  
Screw packs 64-2407 & 63-2391



### UH Package

- Universal hold open arm package provides brackets and arms to install closer in top jamb, standard or parallel applications  
Screw packs 64-2407 & 63-2391



# Accessories for Parallel Applications

1431 Series Powerglide®

**SARGENT**  
**ASSA ABLOY**

## Heavy Duty Parallel Accessories

### 581-2 Blade Stop Spacer Kit



- For frames with 1/2" blade stops
- For use with P10, PH10, PS, PSH, CPS and CPSH arms
- 125-V bracket included
- Packed with 1-1/4" long screws
- Use P/N 64-0157 to order blade stop only

### 125-V/125-VF Brackets



**125-V**

- For use with all heavy duty parallel arms
- Use 125-V for narrow stop and frame conditions
- Use 125-VF for flush door and frame conditions



**125-VF**

### Spacer 63-0191

- 1/2" x 5/8"
- Included standard with PS, PSH, PH10, P-10 CPS and CPSH arm for use with rabbited frames



## Regular Duty Parallel Accessories

### 125-P3 Arm Conversion Unit

- Converts O or P9 arm to P3 Parallel Arm



### 125-P3A Arm Conversion Unit

- Converts O or P9 Arm to P3A Parallel Arm



### 125-PH9 Parallel Arm Foot

- Converts standard hold open (H) arm to PH9 Parallel Hold Open Arm



### 125-P4 Conversion Unit

- Converts O or P9 Arm to P4A Arm



### 125-P4A Arm Conversion Unit

- Converts O or P9 arm to P4A Arm



### 581-1 Blade Stop Spacer Kit



- For frames with 1/2" blade stops
- For use with P9, PH9 and PF9 arms only
- Packed with 1-1/4" long screws

## Miscellaneous Accessories

### 1431 J Cover Plate

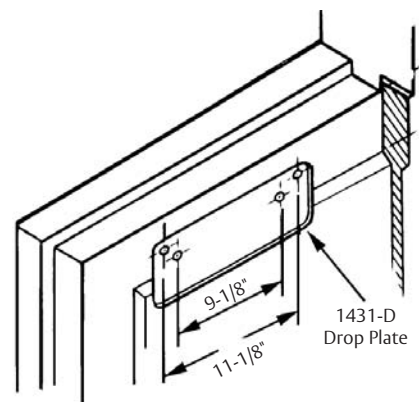


- Can be used to improve appearance when narrow door rail permits closer to be viewed through glass panel

### 1431 Drop Plate



- Required for parallel arm applications with top rails less than 5-3/4"
- Requires 3" (76mm) minimum top rail
- Available with powder coat or plated finish to match closer
- Non-handed – Plate mounting screws included
- Order as 1431-D x finish



Copyright © 2004-2021, SARGENT Manufacturing Company. All rights reserved. Reproduction in whole or in part without the express written permission of SARGENT Manufacturing Company is prohibited. Patent pending and/or patent www.assaabloy.com/patents.

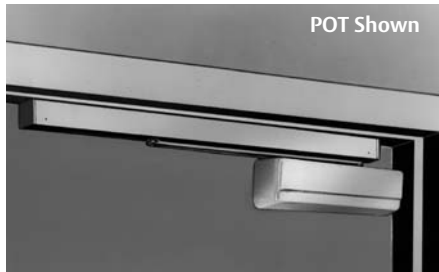
# Track Type Applications

## 1431 Series Powerglide®

### Pull Side Mounting (Hinge Side)



### Push Side Mounting (Stop Side)



### OD Double Egress Arm



1431 Track Type Closer – Offers the most decorative door closer providing a clean unobstructed appearance without the cost of concealed closers and tracks. With versatile mounting options on either side of the door, the 1431 track type closers are a favorite of interior designers.

#### OT Track Arm

- Track mounts on frame face “OT”
- Minimum top rail required – 2-3/8”
- Mounting plates cannot be used for this application

#### Maximum Door Opening

- 160° with standard track
- 120° with optional bumper track
- 180° with ideal conditions for standard track

#### Hold Open Range

- 85° – 120°

#### POT Track Arm

- Track mounts on frame stop “POT”
- Minimum top rail required without drop plate: 4-3/4” (121mm)
- With 1431D Drop Plate 3” (76mm)

#### Maximum Door Opening

- 100° with standard track
- 95° with optional bumper track

#### Hold Open Range

- 85° – 95°

#### Minimum Stop Required

- 1-9/16” (40mm) wide

- Forged steel arm
- Handed
- Special frame profile required
- Available with Holder Option (HD) and Bumper Option (B)
- 160° maximum door opening
- 120° opening with bumper option
- Range of hold open 85° – 120°
- Used with reveals 3” – 4” (76mm-102mm)

Order as 25-OD x finish for track and arm assembly

- Includes:
- 63-2447 - Track assembly
  - 63-3656 - Left hand arm
  - 63-3657 - Right hand arm

#### Track

- Extruded aluminum track
- End caps finished to match track

#### Arm

- Forged steel
- Bearing roller

#### Bumper (Optional)

- Mounts in track to assist backcheck
- Not designed to be used as a stop
- Auxiliary stop is required
- Available for both regular or hold open tracks

#### Holder (Optional)

- Mounts within the track (adjustable)

#### Finishes

- EAB, EB, ED, EN, EP powder coat on all exposed surfaces

Arm & Track	Description/Options
1431—OT	Pull
1431—OTB	Pull with Bumper
1431—HT	Pull with Holder
1431—HTB	Pull with Holder and Bumper
1431—OD	Pull Double egress (Handed) (Non-standard frame required)
1431—ODB	Pull Double egress with Bumper (Handed) (Non-standard frame required)
1431—HD	Pull Double egress with Holder (Handed) (Non-standard frame required)
1431—HDB	Pull Double egress with Holder and Bumper (Handed) (Non-standard frame required)
1431—POT	Push
1431—POTB	Push with Bumper
1431—PHT	Push with Holder
1431—PHTB	Push with Holder and Bumper

**Note:** Two mounting applications are available

Consult factory if door weight exceeds 250 lbs.

# Suggested Architect's Specifications, ADA Compliance and General Information

## 1431 Series Powerglide®

**SARGENT**  
**ASSA ABLOY**

### General Information

#### Special Conditions

The SARGENT Website ([www.sargentlock.com](http://www.sargentlock.com)) contains templates for all standard applications of SARGENT Door Closers with SARGENT overhead door holders. To insure a satisfactory installation for other holders, it is recommended that complete details be submitted as follows:

- Type, size and make of holder
- Holding position (maximum door opening)
- Submit holder template being used
- Closer application being used
- Size and type of hinge

In the case of an unusual door, frame and/or hinge conditions where regular products do not meet requirements, submit drawings and complete details specifying the degree of door openings required, the type and size of hinge and the max. door opening angle.

#### Through-bolting and Mortise Nuts

- When through-bolting is ordered, factory will furnish mortise nuts for use with the machine screws furnished with the closer
- Nuts are sized to accommodate 1-3/4" (44mm) standard or 1-3/8" (35mm) thick doors when specified on order
- For 2-1/4" (57mm) thick doors, longer through-bolts will be furnished with mortise nuts
- Through-bolting for 2-1/4" (57mm) thick hollow metal doors require bridge type reinforcement to prevent collapse of top rail when through-bolts are tightened

#### Architectural Specifications

1. All closers for both interior and exterior doors shall be the product of one manufacturer and be matched in style.
2. Surface closers shall be adjustable to provide sizes 1 through 6 and comply with ADA.
3. Full rack and pinion construction.
4. Closing speed, latching speed and backcheck shall be controlled by key operated valves.
5. Delayed action feature shall be available and controlled by a separate valve. Delayed action shall be available in addition to, not in lieu of, backcheck.
6. The one piece closer body shall be manufactured of high-performance cast aluminum silicon alloy.
7. An increase of 15% in closing power shall be provided by means of adjustment of the arm leverage at the foot connection. (Standard Arm)
8. All arms shall be finely finished with heavy duty forged steel main arm.
9. Two mounting positions of the closer shall meet all requirements. Standard mountings shall provide 120° door opening and alternate mounting 180° door opening.
10. All closers shall be suitable for standard, corner bracket, top jamb, parallel arm and track type applications when provided with proper brackets and arms.
11. Closer covers shall be of high impact plastic material of flame retardant grade, secured by machine screws.
12. Projection of closer body from door shall not exceed 2-1/4" (57mm) with standard cover.
13. Closers shall be non-handed to meet a variety of door conditions and design requirements.
14. The spindle shaft shall be sealed hydraulically with an "O" ring.
15. Specify desired options such as: Metal Cover, Security Package, (TB) Through-bolting, (DA) Delayed Action and Architectural Plated Finishes.
16. Closers should have two pressure relief valves (opening and closing cycles).
17. All closers to have a 30-year limited warranty.
18. Closers should comply with UL 10C Positive Pressure Fire Test.

#### 1431 Designed to Aid the Physically Challenged



The 1431 door closer is designed to meet the opening force requirements established by the American with Disabilities Act (ADA) limiting the opening force to 5 pounds for interior doors and 8 pounds for exterior doors. The closer should be installed using the alternate mounting given on the templates when used on interior doors.

#### CAUTION: Door Closers for Low Opening Force Applications:

Door closers installed in openings required to meet the requirements of the Americans With Disabilities Act or ANSI/BHMA Standard A117.1, when adjusted to meet those requirements, may not provide adequate closing power to dependably close and latch the door based on opening or site conditions.

# Door Closer and Overhead Stop/Holder Compatibility Chart

1431 Series Powerglide®

**SARGENT**  
**ASSA ABLOY**

## Introduction to SARGENT Overhead Holders and Stops

SARGENT overhead holders/stops are designed to protect the door and hardware from the abuse commonly found in commercial and institutional applications. With **four different series** that include **surface** or **concealed**, **standard** or **heavy duty**, SARGENT has a holder/stop for your application.

Overhead holders/stops are the most practical method of stopping a door as well as eliminating unsightly wall stops and dangerous floor stops. Using an overhead holder/stop distributes abusive forces rather than concentrating them toward the hinge. Some door closers are available with incorporated holders/stops. These work well in most cases, but when subjected to continuous abuse can lead to frame and hinge failure. SARGENT overhead holders/stops are designed and manufactured for years of service and come with a 5 year warranty.

## Frequently Used Overhead Stops used with the 1431 Series

- **Standard Door Closer Applications (PULL SIDE MOUNT) Not Shown**

- 590 Series with 1431 Series "O" Arm
- 690 Series with 1431 Series with "O" Arm
- 1530 Series with 1431 Series with "O" Arm
- 1540 Series with 1431 Series with "O" Arm

- **Parallel Arm Door Closer Applications (PUSH SIDE MOUNT)**

- 590 Series with 1431 Series "P3" Arm
- 690 Series with 1431 Series with "P9" Arm
- 690 Series with 1431 Series with "P10" Arm
- 1530 Series with 1431 Series with "P9" Arm
- 1530 Series with 1431 Series with "P10" Arm
- 1540 Series with 1431 Series with "P3" Arm

- **Parallel Arm Door Closer Applications Used with a Flush Frame**

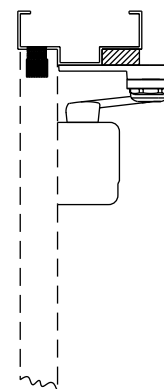
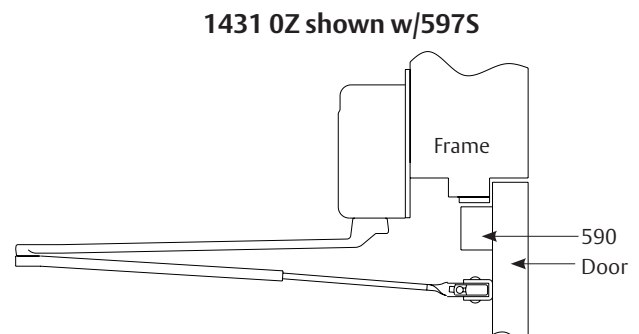
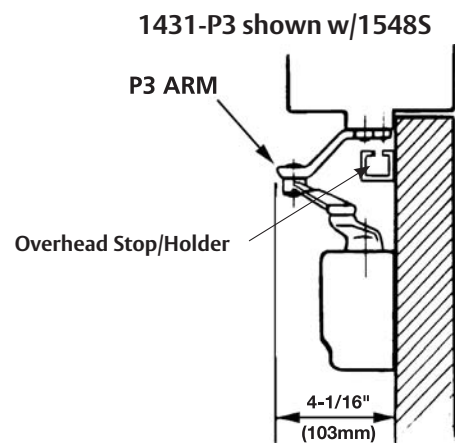
- 590 Series with 1431 Series "P4" Arm
- 690 Series with 1431 Series with "P4" Arm
- 1530 Series with 1431 Series with "P4" Arm
- 1540 Series with 1431 Series with "P4" Arm

- **Top Jamb Applications**

- 590, 690, 1530, 1540 Series with 1431 Series with "O" OZ or OZA Arm

**Note:** This chart is only a quick reference. Some applications may require the use of a 145 or 195 angle bracket

**For applications not shown, refer to the SARGENT Overhead Holders & Stop catalog**



# How to Order

## 1431 Series Powerglide®

**SARGENT**  
**ASSA ABLOY**

### Packing

All closer assemblies are packaged 4 per carton. On request, door closers will be packed 2 per carton.

### How To Order

Options	Series	Closer Arm	Finish	Hand
CPC-DA	1431	P4H	26	LH
31- 36- 74- CPC DA- MC- SG- TB-	1431	Standard Page 6  Top Jamb Page 8  Parallel Pages 10 & 11  Track Type Page 13	EB ED EN EP EAB 03* 04* 09* 10* 10B* 10BE 10BL* 14* 15* 20D* 26* 26D* BSP WSP	LH RH

\* These finishes are automatically provided with a metal cover

### NOTE:

- Door closer warranty becomes void if the closer is installed on the exterior side of a door in the exterior wall of a building.
- It is strongly recommended, and may be required on fire door assemblies, that doors having a door closer be hung on ball-bearing or anti-friction hinges or pivots. Consult local authority having jurisdiction.
- Failure to use fasteners supplied with closer may void factory warranty.
- Fasteners for fire/smoke door assemblies must conform to NFPA 80. In some applications additional fasteners may be mandated by NFPA 80 that are not shipped with standard SARGENT product, such as sleeve-nuts/sex-nuts or thru bolts and grommet nuts.
- Information provided is based on 1-3/4" (44mm) x 7' (2.13m) standard weight doors swinging to 110°. Other conditions (such as door height or weight; or wind/draft conditions) may require adjustment of spring setting, selection of a larger size closer or different closer.

### How To Order

Accessories	Example	
Arm only	Specify 25-, arm required and finish	25-PSH EN
Body only	Specify CB-1431 (Option DA- available)	CB-1431
Arm conversion Units	Specify unit and finish	125-P9 EB
Cover Only (Standard)	1431-C x finish	1431-C x EN
Cover Only (Metal)	1431-CMC x finish and hand & arm type	1431-CMC x 26D x LH X P-10
Accessories	Specify accessory and finish See applicable catalog section	1431-D EB

When complete closer assembly is ordered with an accessory, order accessory as a separate item

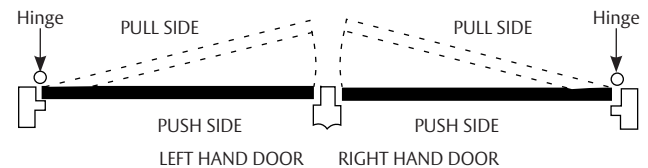
Series	Number per Carton	Approx. wt per Carton
1431	4-Standard (2 upon request)	19 lbs. per 4

### Options Available

Specify	Detailed Description
31-	For doors 1-7/8" – 2-1/4" thick, specify door thickness, doors over 2-1/4" thick contact factory
36-	Security Torx Screws supplied for all exposed fasteners
74-	Lead lined cover
CPC-	Clear Powder Coat (available on 26 & 26D)
DA-	Delayed Action
MC-	Handed Metal Cover
TB-	Through Bolt (1-3/4" Std) For others, specify 31-TB- & door thickness

### Note:

- The MC- option is used when a metal cover is desired on a powder coated finish
- When MC- is added to a plated finish, the MC- option indicates that only the cover is to be plated, the arms will be powder coated to match
- Do not specify the MC option if both the cover and arms are to be plated





# Finishes

## 1431 Series Powerglide®

### Finishes

Finishes	ANSI/BHMA	Description
EB	695	Bronze powder coated to match finish 10B
EN	689	Aluminum powder coated
ED	693	Black powder coated to match finish 20D
EAB	696	Brass powder coated
EP	691	Bronze powder coated to match finish 10
03	605	Bright brass, clear coated
04	606	Satin brass, clear coated
09	611	Bright bronze, clear coated
10	612	Satin bronze, clear coated
10B	613	Dark oxidized satin bronze, oil rubbed
10BE	613E	Dark oxidized satin bronze - equivalent
10BL	614	Oxidized satin, bronze, clear coated
14	618	Bright nickel plated, clear coated
15	619	Satin nickel, clear coated
20D	624	Statuary dark bronze, clear coated
26	625	Bright chromium plated
26D	626	Satin chromium plated
BSP	—	Black Suede Powder Coat
WSP	—	White Suede Powder Coat

The ASSA ABLOY Group is the global leader in access solutions. Every day, we help billions of people experience a more open world.

ASSA ABLOY Opening Solutions leads the development within door openings and products for access solutions in homes, businesses and institutions. Our offering includes doors, frames, door and window hardware, locks, perimeter fencing, access control and service.



SARGENT Manufacturing Company  
100 Sargent Drive  
New Haven, CT 06511 USA  
800-727-5477  
[www.sargentlock.com](http://www.sargentlock.com)

Founded in the early 1800s, SARGENT® is a market leader in locksets, cylinders, door closers, exit devices, electro-mechanical products and access control systems for new construction, renovation, and replacement applications. The company's customer base includes commercial construction, institutional, and industrial markets.  
Copyright © 2005-2021, SARGENT Manufacturing Company. All rights reserved. Reproduction in whole or in part without the express written permission of SARGENT Manufacturing Company is prohibited. Patent pending and/or patent [www.assaabloydss.com/patents](http://www.assaabloydss.com/patents).