

Healthcare Hardware



114/115 Series Push/Pull Trim

Healthcare Hardware



Designed for convenience and utility, the 114/115 hospital latches open with a gentle pull or slight push, making them ideal for hands free operation. Both the 114 push-pull and 115 push-pull latch with its low profile helps eliminate any obstruction while passing through an opening. Slim tapered paddles and smartly styled escutcheons possess all the elements of tasteful, yet functional design. The chassis design makes this hospital latch constructed for both durability and ease of install.

114 Push-Pull



114 push and pull paddles are mounted in the down position as shown and are available with "PUSH" and "PULL" stamped into the top of the escutcheon.

115 Push-Pull



115 push are mounted in the up position only and pull paddles are mounted in the down position only. Paddles are available with "PUSH" and "PULL" stamped into the top of the escutcheon as shown.

Specifications

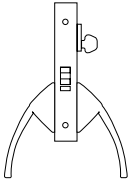
For Doors	1-3/4" (44mm) to 2-1/4" (57mm)		
Backset	5" (127mm) standard. For 2-3/4" (70mm) backset (specify as 24-115) and 7" (177mm) backset (specify as 26-115) available on order		
Strike	2-3/4" (70mm) ANSI A115.2 curved lip strike # 800		
Bolt	Brass, 1/2" (13mm) throw		
Hand	Specify hand (RHR, RH, LHR or LH)		
114	Push/Pull Paddles - both mounted down position only . Cast; Projection from door 3-1/4" (83mm)		
115	Push Paddle - mounted up position only . Cast; 1-5/8" (41mm) x 4-1/2" (114mm); Projection from door 2-1/2" (64mm)		
115	Pull Paddle - mounted down position only . Cast; 1-5/8" x 4-3/4"; Projection from door 2-15/16"		
Escutcheons	Cold drawn; 2-1/2" (64mm) x 6-7/8" (175mm)		
UL Listed	UL Listed for use on fire doors. See Underwriters Laboratories Building Materials List		
Options	Backsets	24-	2-3/4" (70mm) backset
		26-	7" (177mm) backset
	Strike	28-	4-7/8" (124mm) ANSI curved lip strike # 808
		WBS-	Wrought Box Strike
	Security Screws	36-	6-Lobe Security Head Screws
		37-	Spanner Security Head Screws
	Lead Lining	74-	Lead lined. Specify Push or Pull side
	Antimicrobial Coating	SG-	MicroShield® – Antimicrobial clear powder coat (only available with 15 and 26D finishes)
	Push/Pull Marking	P-	P- Push/Pull to be stamped on each escutcheon
Through Bolts	TB-	Through-bolt pack, specify door thickness: 1-3/4", 2" & 2-1/4"	
Finishes	03, 04, 09, 10, 10B, 10BE, 15, 26, 26D For other finishes consult factory		

Copyright © 2007-2022, Sargent Manufacturing Company, an ASSA ABLOY Group company. All rights reserved. Reproduction in whole or in part without the express written permission of Sargent Manufacturing Company is prohibited.

SARGENT 8200 Electromechanical Mortise locks are designed to handle single opening, stand alone applications, or can be readily integrated into sophisticated access control systems. They meet ANSI/BHMA A 156.13 Grade 1 requirements, are UL listed on fire doors, and satisfy industry standards for operating temperature, shock and fire hazard.

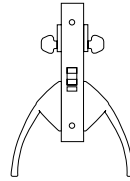
Electromechanical Functions

70 Electrical (Fail Safe) 71 Electrical (Fail Secure)



- 70 function- Power OFF, unlocks outside trim (by solenoid)
- 71 function- Power OFF, locks outside trim (by solenoid)
- Always specify voltage: 12VDC or 24VDC
- Key outside retracts latchbolt
- Trim outside retracts latchbolt except when locked
- Trim outside can only be locked and unlocked with the solenoid
- Trim inside always retracts latchbolt
- Auxiliary deadlatch

72 Electrical (Fail Safe) 73 Electrical (Fail Secure)



- 72 function- Power OFF, unlocks both trims (by solenoid)
- 73 function- Power OFF, locks both trims (by solenoid)
- Always specify voltage: 12VDC or 24VDC
- Key on either side retracts latchbolt
- Trim from either side retracts latchbolt, except when trims are locked
- Both trims can be locked and unlocked with the solenoid
- Trim can not be locked separately, only together
- Auxiliary deadlatch

⚠**CAUTION:** Not recommended for use on any door used for Life Safety egress

NOTE: Paddle orientation on this page is only a representation of the product; all functions can be used with paddles in any orientation.

Electrical Requirements for Electromechanical Functions:

Voltage: Operates from 12-24VDC Regulated. Full wave rectification installed inside the lockbody.

Current:

- Actuator draw = .015 Amp continuous
- Maximum (2) locks per 1 Amp power supply (1/2 Amp peak current draw)

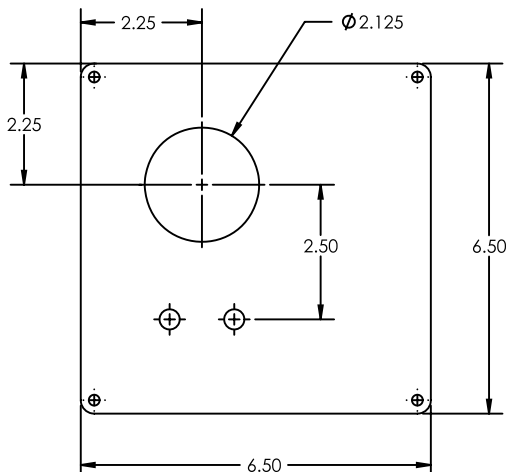
Operating Temp.: Max. 151°F (66°C), Min -31°F (-35°C)

UL and CUL listed for use on Fire Doors

Note: Repeated operation at voltage exceeding +/- 10% is not recommended

549 Kit for Retrofitting ALP Push/Pull Trim

Contains 2 retrofit plates and 8 screws. Use to cover prep from 114/115 and PT push/pull trim, as well as other manufacturer's trim, when retrofitting ALP trim. Available in 32D finish standard. Order kit #549.

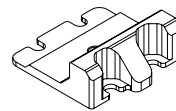


Warning:

- **Do not** connect locks to a circuit sharing an additional electromagnetic device as the lock may be damaged
- Transient voltage must be suppressed at the source or before connecting with the lock
- Varistor rated at 35 volts (peak) may be used for transient voltage protection

NOTE: Opening the lockbody or the actuator replacement in the field by non-authorized personnel voids UL label and lock warranty

684 Positive Pull Stop Kit



- This kit prevents the latch from retracting when pulling the door closed.
- Used on openings where weather stripping is installed or when door closers are not utilized.
- Order kit # 684

How to Order 8200BHL/ 8200 BHW/8200ALP/7800 BHD/9200 BHD Series Mortise Locks

10-	82	71	12VDC	BHL	32D	RHR
Options*	Series	Function	Voltage	Trim	Finish	Hand
For all available options see pages 26-27	9200, 8200 or 7800 Mortise Lock	Pages 13-20 for Details	12VDC	BHL Trim for 8200 or BHW Trim for 8200 or BHD Trim for 8200 or BHD Trim for 7800 or ALP trim for 8200	32D	RHR
			24VDC			RH
			Must be specified for Functions 70, 71, 72 & 73			LHR
						LH

* Multiple options can be selected

How To Order 7800PT Series Mortise Locks

10-	82	71	12VDC	PT	32D	RHR
Options*	Series	Function	Voltage	Trim	Finish	Hand
For all available options see pages 26-27	7800 Mortise Lock	Pages 28 for Details	12VDC	PT trim for 7800	32D	RHR
			24VDC			RH
			Must be specified for Functions 70, 71, 72 & 73			LHR
						LH

* Multiple options can be selected

How To Order 114/115 Series Push/Pull Units

28-P-	115	26D	RH
Options	Series	Finish	Hand
See page 26-27	114	03, 04, 09, 10, 10B, 10BE, 15, 26 & 26D	RHR
			LHR
	115		RH
			LH

How To Order HP Bored Locks with ALP Trim

SG-	HP	U65	ALP	32D	RHR
Option	Series	Function	Trim	Finish	Hand
See page 26-27	HP Series Tubular Locks	15 - Passage 65 - Privacy	Push/Pull Trim	32D	RHR
					LHR
					RH
					LH

Finishes

8200 or HP locks with ALP Trim	8200 BHW, 8200 BHL, 7800 BHD, 9200 BHD	7800 Push/Pull Trim	114/115 Push-Pull	7800 PT Trim	Description	BHMA
		03	03	03	Polished brass, clear coated	605
		04	04	04	Satin brass, clear coated	606
		09	09	09	Polished bronze, clear coated	611
		10	10	10	Satin bronze, clear coated	612
		10B	10B	10B	Oxidized bronze, oil rubbed	613
		10BE	10BE	10BE	Dark Oxidized Satin Bronze Equivalent	613E
				10BL	Oxidized satin, bronze, clear coated	613L
					Polished nickel, clear coated	618
			15		Satin nickel, clear coated	619
				20D	Statuary dark bronze, clear coated	624
			26		Polished chrome	625
			26D		Satin chrome	626
				32	Polished stainless steel	629
32D	32D	32D		32D	Satin stainless steel	630

SG- MicroShield® antimicrobial clear powder coat (only available with 15, 26D and 32D finishes)

Split Finishes - specify outside finish first, then inside finish example: US26D (outside) / US04 (inside)