

## 9898 Reversible Rim Exit and Trim

### 90 Series Exit Devices



**Note:** If door width information is not supplied, SARGENT will supply a cross bar for a 44" door width

#### Options

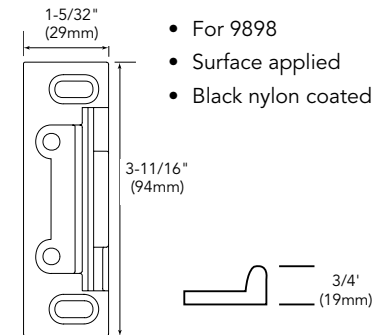
9898
<b>Mechanical Options:</b>
12-
85-
<b>Cylinder Options:</b>
10-
11-
11-60-
11-63-
11-64-
21-
22-
60-
63-
64-
81-
82-
F1-82-
83-
F1-83-
84-
BR-
CPC-
SG-***

\*\*\* Only available with 15, 26D, and 32D finishes

#### Specifications

For Doors	Wood or metal. 1-3/4" (44.5mm) thick standard. 2-1/4" (57mm) thick on order. Other door thickness, consult factory. 4-1/8" (105mm) minimum stile
Mounting	Supplied standard with wood and machine screws. Through-bolts available on order
Chassis Cover	Brass, bronze or stainless steel
Chassis	Nonferrous alloy
Crossbar	1" brass, bronze and stainless steel tubing. Specify 42- for reinforced cross bar.
Hand	Non-handed; field reversible
Dogging	Standard Allen key dogging (Not available on fire rated devices)
Strike	649 Strike
Fire Exit Hardware	Not available

#### 649 Strike



#### Available Trim Designs & Functions to be used with any 9898 Device

- All trims are non-handed for 9898 devices

#### Product Designation



Functions	ANSI	Descriptions						
04	03	Key Retracts Latch #34 Cylinder Required & Supplied	814-FLL x Finish	814-FLW x Finish	814-MAL x Finish	814-PTB x Finish	814-STB x Finish	814-STC x Finish
10	02	No O/S Operation or Cylinder (Pull Only)	810-FLL x Finish	810-FLW x Finish	810-MAL x Finish	810-PTB x Finish	810-STB x Finish	810-STC x Finish
10	01	No O/S Operation or Cylinder (Exit Only)	N/A	N/A	N/A	802-PTB x Finish	N/A	N/A
28	15	Passage Only (No cylinder)	828-FLL x Finish	828-FLW x Finish	828-MAL x Finish	828-PTB x Finish	828-STB x Finish	828-STC x Finish
63	05	Key Outside Unlocks/ locks Thumb Piece # 34 Cylinder Required & Supplied	866-FLL x Finish	866-FLW x Finish	866-MAL x Finish	866-PTB x Finish	866-STB x Finish	866-STC x Finish

**Note:** Thumb piece trims for 63 and 66 function devices are identical and are identified as 66 function when trim is ordered separately

**Note:** Pulls and thumb piece trims are not available in 14, 15, 26 or 26D

**How to order:** Options 10-SG- Series 99 Function 13 Trim ETL Hand RHR O/S Finish 26 I/S Finish 32 Door Width 36"

Experience a safer  
and more open world

1-800-727-5477 • www.sargentlock.com