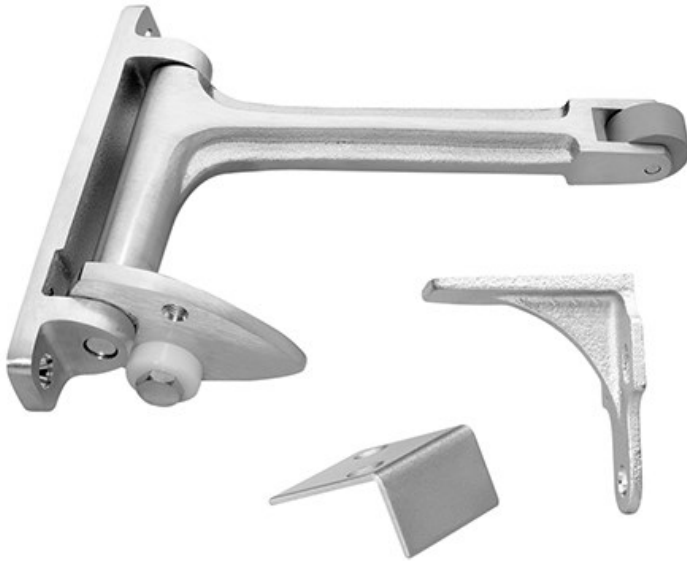


Architectural Door Accessories

ASSA ABLOY
Opening Solutions

Experience a safer
and more open world

Rockwood 576 - Gravity Door Coordinator



Available Finishes:

- US3/605
- US4/606
- US10/612
- US10B/613
- US10BE/613E
- US26/625
- US26D/626

SIZE:

1" x 5 7/16"

Projection: 7"

WEIGHT:

2.2 lbs.

ANSI A156.3:

Type 21

Specifications:

MATERIAL:

Cast Brass

FASTENERS:

Body: 2 ea. #10 x 1" Flat Head Sheet Metal Screws, 2 ea. #10-24 x 1" Flat Head Machine Screws

Strike: 5 ea. #8 x 1" Flat Head Sheet Metal Screws

FEATURES:

- Non-handed reversible. Prevents the active door from closing until the inactive door is closed.

OTHER:

For use on door sizes:

1. with Astragal on active door - 18" to 48"
2. with Astragal on inactive door - 18" to 34"
3. with Astragal on both doors - 18" to 30"

*The overlap of the astragal is maximum 7/8" with door hung on standard hinges. Customer must contact the factory for all other astragal situations.



ASSA ABLOY Opening Solutions
Architectural Accessories Group
Rockwood, PA
Phone: (800) 458-2424 • Fax: (800) 922-9212
www.assaabloydooraccessories.us

Copyright © 2019, ASSA ABLOY Accessories and Door Controls Group, Inc. All rights reserved. Reproduction in whole or in part without the express written permission of ASSA ABLOY Accessories and Door Controls Group, Inc. is prohibited.

CS-576 7/19