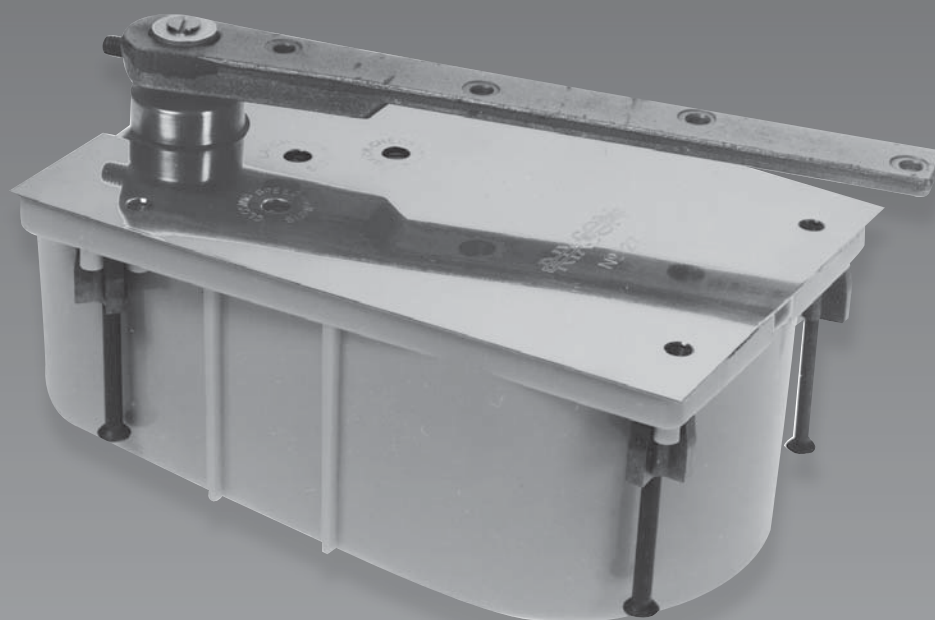


**RIXSON®**  
**ASSA ABLOY**

ASSA ABLOY, the global leader  
in door opening solutions



## HEAVY-DUTY FLOOR CLOSERS

Complete Door Control for Exterior and  
Interior, High Traffic, Heavy Doors,  
Where Concealment is Desired

Copyright © 2001-2018, ASSA ABLOY Accessories and Door Controls Group, Inc., an ASSA ABLOY Group company. All rights reserved. Reproduction in whole or in part without the express written permission of ASSA ABLOY Accessories and Door Controls Group, Inc. is prohibited.

Floor closers provide the best mechanical means to support and control a door. They are designed to work with the laws of physics to provide long-lasting performance and reliability.

### The weight of the door is supported by bottom arm and floor

- Door swings with less resistance
- Heavier doors can be accommodated
- Reduced stress on frame
- Fasteners are in shear, not tension
- Eliminates door sag
- Vertically adjustable

### Heavy-duty, hardened, one piece steel spindles

- Designed to provide positive dead stop
- Thrust bearing supports vertical load
- Needle bearings for lateral forces
- Extra heavy-duty models also have an additional surface applied thrust bearing to handle heavier doors or doors that have very high traffic

### Bottom arm attached directly to closer spindle

- A mechanical advantage that increases efficiency insuring that ICC/ANSI A117.1 compliant, lower opening forces, will still close the door
- One to one ratio of door swing to spindle rotation makes control more precise
- Floor closers are more efficient than a regular arm surface closer

### Helical torsion spring

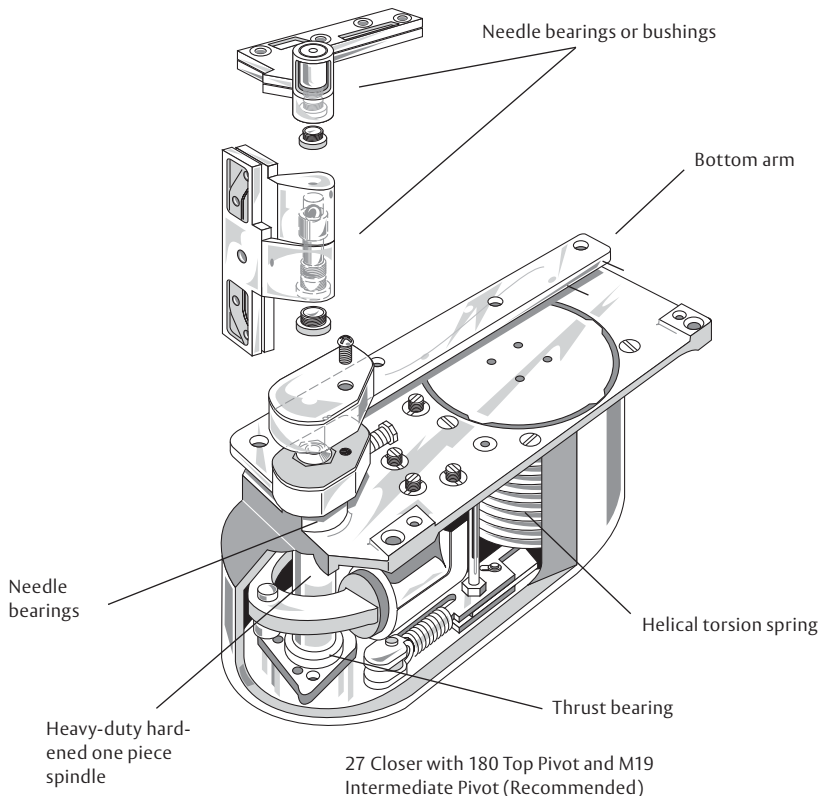
- Operates in same direction as door movement and contributes to even higher closer efficiency
- A torsion spring has a much longer life than standard compression springs

### Advantages of concealed floor closers

- Aesthetics – let the beauty of the door and its surroundings take center stage
- Vandal resistant – mechanism not exposed
- The solution for arch top doors – offset floor closers
- Both mechanical advantage and aesthetics – a concealed floor closer exclusive

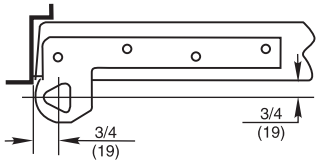
### Choose from many different models

- Use standard product with a top pivot for the best efficiency
- Use a quick install (Q) model to facilitate easy closer removal
- Use extra heavy-duty (L & H) (L-offset) (H-center hung) models for higher traffic/lead lined or extremely heavy doors
- Use model HM with 3/4" offset hinges for hollow metal doors and frames prepared for 4-1/2" hinges
- Closers can be offset hung, center hung or independently hung, single or double acting (center hung only)

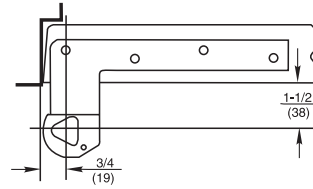


HOW TO SELECT A PRODUCT

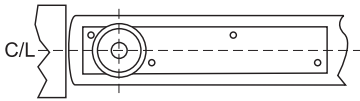
1. Offset Vs. Center Hung Application



**3/4" Offset**  
Pivot point located 3/4" from the heel edge of the door and 3/4" from face of door



**1-1/2" Offset**  
Pivot point located 3/4" from the heel edge of the door and 1-1/2" from face of door. Used on doors with cladding on face or trim on frame



**Center Hung**  
Pivot point centered in thickness of door. Distance from heel edge can vary 2-3/4" and up. **Not for use on fire rated doors.**

2. Size of Door (Width, Height, Thickness)

Door Material	Door Thickness		
	1-3/4"	2-1/4"	3"
Hollow Metal	6.5	7	—
Solid Core Wood	7	9	11.5
Aluminum/Glass Storefront	3.5	4	—
Bullet Resistant	20	21	—
MDF	7	9	11.5
	Glass Thickness		
Tempered Glass	3/8"	1/2"	3/4"
	5	7	9.75
	Lead Thickness		
Lead Lining (add to door material weight)	1/16"	1/8"	1/4"
	5	8	9.75
	Cladding Material		
3/4" Cladding (add to door material weight)	Wood	Stone	Bronze
	3	10.5	28

Example: 3/0 X 7/0 X 1-3/4" WD X 1/4" Lead lining  
 Door: 21sq ft x 7lb./sq ft = 147lbs  
 Lead Lining: 21sq ft x 9.75lb./sq ft = 204.75lbs  
 Total Door weight 351.75lbs

Example: 3/6 X 8/0 X 1/2" Tempered Glass Door  
 Door: 28sq ft x 7lb./sq ft = 196lbs

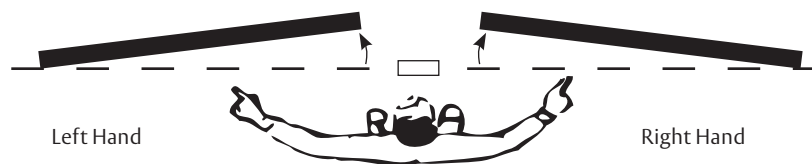
For doors of other sizes consult factory



### 3. Expected Frequency of Door Opening

Application	Daily	Yearly	
Large department store entrance	5,000	1,500,000	High
Large office building entrance	4,000	1,200,000	
Theater entrance	1,000	365,000	
School entrance	1,250	225,000	
School restroom door	1,250	225,000	
Store or bank entrance	500	150,000	
Office building restroom door	400	118,000	
School corridor door	80	15,000	Average
Office building corridor door	75	22,000	
Store restroom door	60	18,000	
Residential entrance door	40	15,000	
Residential restroom door	25	9,000	Low
Residential hallway door	10	3,600	
Residential closet door	6	2,200	

#### How to Determine Hand of Door



Face a door swinging open away from you. If it opens to the right, it is right handed. If it opens to the left, it is left handed.

**RIXSON**<sup>®</sup>  
**ASSA ABLOY**

ASSA ABLOY, the global leader  
in door opening solutions

## OPTIONS

**Automatic Hold Open – Suffix A**

These closers hold the door open. This feature cannot be changed in the field. Models 27-180, 30 & 40 only.

**Cold Weather Fluid – Suffix CWF**

Cold weather fluid should be specified for exterior doors in consistently cold climates under 32° F for weeks at a time. The hydraulic fluid is of a lower viscosity to prevent sluggish closing. Cannot be used with the delayed action feature.

**Cover Pan (Terrazzo) – Suffix Part Number**

Closers should always be accessible. They should never be buried beneath flooring materials. A cover pan sits on top of the closer and has the flooring material set in it. This way the sight line for the floor is consistent. Cover pans may require closers with longer spindles. See cover pan template to determine spindle length needed.

**Degree of Swing – Follows Model Number**

Single acting heavy-duty floor closers have a deadstop. This means that the door cannot go past a certain point. If ordered as a hold open closer, the hold open position is exactly the same as the deadstop. The degrees available are 85°, 90°, 95° or 105° (180° for model 27 only). It is recommended that the maximum degree of swing be ordered.

Double acting closers have a deadstop at 103° and are available with hold open options at 90° or 100°.

**Delayed Action – Prefix DA**

After full open, permits door to remain ajar (at 70 degrees) for up to 40 seconds. Operates by separate valve and can be shut off if not needed. Not available on closers with hold open feature.

**Door Thickness – Suffix 1-3/4, 2, 2-1/4, 2-1/2 or 3**

When ordering L product for lead lined doors, the thickness of the door must be given. The purpose of the L product is to have screws spaced so that they straddle the lead in the center of the door. Also used when lead lining is under the skins of the door. Recommended for use on extra heavy or high traffic doors.

**Extended Spindle – Suffix Extra Length**

Any special floor coverings, or severe door undercuts, will affect the spindle height. In these applications an extended spindle may be required. See product template to determine if an extended spindle is needed. Extended spindles available in 1/2" increments up to 2" longer than standard.

**Fire Rated – Prefix F **

Closer packages for fire rated doors (up to 3 hours) include a steel top pivot and must have additional steel intermediate pivots. These closers are non-hold open.

**Hand- Suffix RH or LH**

All single acting floor closers are handed. All double acting floor closers (30, 40, H40) are non-handed.

**Less All Parts – Suffix LAP**

If a closer is needed for replacement, the arm, cover, cement case, top pivot and floor plate are omitted.

**Less Cement Case – Suffix LCC**

For existing installations or when cement case has been sent earlier in construction. Closer will be packaged without the cement case.

**Less Floor Plate – Suffix LFP**

When thresholds or cover pans are being used, the closer doesn't need the decorative floor plate.

**Less Top Pivot – Suffix LTP**

For unusual head conditions, where the top pivot cannot be used, the closer is shipped without the top pivot. For offset installations, an additional load bearing intermediate (side jamb) M190 pivot is required. All intermediate pivots for that opening should be M190's, not M19's.

**Non Hold Open – Suffix N**

These closers do not hold the door open. This feature cannot be changed in the field.

**1-1/2" Offset – Suffix 1-1/2**

Offset is the distance from the face of the door to the pivot point. Extended offsets should not be used unless there is cladding on the face of the door or there is trim to clear on the frame. 1-1/2" offset arms and pivots are for doors with cladding or trim that project 3/4" from the face of the door.

**Physically Handicapped – Prefix PH **

To comply with ICC/ANSI A117.1 established by the Americans with Disabilities Act. PH prefix indicates 5 pounds of opening force, based at 30" from centerline of pivot. PH closers may not be used on labeled fire doors or exterior doors. Rixson accepts no responsibility for PH closers and door latching. Also, be advised that ADA guidelines DO NOT apply to fire rated openings or exterior doors.

**8-1/2 Lbs. Opening Force – Prefix PH Suffix 8-1/2**

This is a lighter than normal opening force. Be aware that this may not be strong enough to close fire rated or exterior doors. Rixson accepts no responsibility for PH closers and door latching. Also, be advised that ADA guidelines DO NOT apply to fire rated openings or exterior doors.

**Sealed Closer – Prefix SC**

This option for exterior doors or interior doors, with heavy exposure to water or cleaning solvents, protects the body. The closer body is placed in the cement case. A stainless steel cover plate is then gasketed and fastened to the cement case. This must be ordered with closer and cannot be ordered less the cement case.

**RIXSON**<sup>®</sup>  
**ASSA ABLOY**

**Selective Hold Open – Suffix S**

These closers can be set to hold open or non-hold open. This is done via a screw control on the top of the closer. Available on Models 27 and 28 only.

**Special Layouts – Suffix SPLO #**

Unique installations or specially engineered products are called special layouts. These numbers must be assigned by the technical support department and they must be called out specifically, by their number, when ordered.

**Twenty Minute Label – Suffix -20 **

This UL rating is for 20 minute doors. Pivots are brass base material and include a visible label.

**Wood Door – Prefix W**

When using a center hung product with the centering arm (e.g. 28, 30 or 40) a special plate and less obtrusive adjusting screws are needed for wood doors. This plate is reinforcement to the deep mortise required for that arm, protecting veneer.

**CERTIFICATIONS **

All Rixson® heavy-duty floor closers are in compliance with ANSI/BHMA A156.4 Standards. See individual products for sub sections.

**LIMITED WARRANTY**

Rixson heavy-duty floor closers models 27/28 and 30/40 are warranted for 10 years against defect. The model 20 closer carries a 2 year warranty. See Rixson Price Book for specific details of the limited warranty.

**SPECIFICATION**

Floor closers shall be heavy-duty model 27 (offset) or model 28 (center hung). All closers shall be handed. Choose appropriate functions and strengths to accommodate lead lining, extra high traffic, fire rating, independently hung or quick install models. These closers shall have separate and independent checking valves, to control latch speed, closing speed and adjustable hydraulic backcheck. All single acting closers shall have a built in dead stop feature. All closers shall have one piece spindle assembly. Extra heavy-duty closers shall have minimum of two thrust bearings and one needle bearing. Closers shall not have compression spring.



## Application

- Single Acting, Handed
- Exterior or Interior Doors
- Lead-Lined, Heavy, High Traffic Doors
- Weight to 1500 lbs.\*
- Door Width up to 4'0" (1219mm)

## Product Description & Features

- L180 top pivot included
- ML19 intermediate pivot(s) required (order separately)
- Heavy-duty bottom arm and top pivot with screw holes spaced to straddle lead lining, or for extra heavy or very high traffic doors.
- Available for the following lead-lined door thicknesses: 1-3/4" (44mm), 2" (51mm), 2-1/4" (57mm), 2-1/2" (63mm) or 3" (76mm)
- Available non-hold open (N) or selective hold open (S) at same degree as dead stop
- Built-in positive dead stop prevents door from swinging beyond the desired opening degree (specify 85°, 90°, 95° or 105°)
- Additional thrust bearing for greater load capacity
- Separate and independent valves for closing speed, latch speed and backcheck
- Vertical door adjustment
- Available with floor plate or threshold installation (floor plate shown)
- Cast iron cement case
- For arch top doors or applications where an L180 top pivot cannot be used, supply at least two each ML19-load bearing intermediate pivots, mounted together at the top of the vertical edge
- Doors 60" (1524mm) to 90" (2286mm) in height should use one intermediate pivot. Each additional 30" (762mm) warrants another intermediate pivot
- Furnished with wood and machine screws

## Optional Features

- Delayed action option – prefix "DA" (non-hold open closers only)
- Cold weather fluid option – specify "CWF" (not available for closers with "DA")
- Sealed closer option – specify "SC"
- For extended offsets, consult factory
- Extended spindles available in 1/2" increments up to 2" longer than standard
- For extended offsets, consult factory

## Compliance

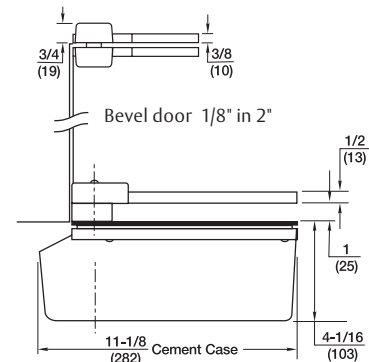
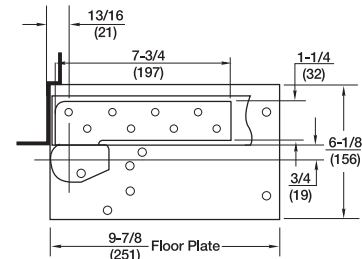
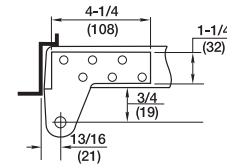
- Models available to meet ICC/ANSI A117.1 low opening force requirements, prefix "PH". (For 8-1/2 lbs. of opening force prefix PH and suffix 8-1/2 lbs.)
- For fire rated openings (up to 3 hour assemblies) prefix "F". This package will be supplied with a FL180 steel top pivot and non-hold open closer. FML19 intermediate required (order separately).  
Note: UL listing for 1-3/4" thick doors only.
- UL labeled closers cannot have PH option
- For 20-minute labeled doors suffix "-20" to the part number
- ANSI/C06071

\* Door size & weight guidelines are determined using the appropriate number of intermediate pivots



## Technical Information

(Frame stop required)



\* 1-3/4" door thickness shown

**RIXSON**  
**ASSA ABLOY**

# Model L27-180

HEAVY-DUTY FLOOR CLOSERS  
3/4" OFFSET HUNG

## Application

- Single Acting, Handed
- Exterior or Interior Doors
- Lead-Lined, Heavy, High Traffic Doors
- Weight to 1500 lbs.\*
- Door Width up to 4'0" (1219mm)

## Product Description & Features

- L180 top pivot included
- ML19 intermediate pivot(s) required (order separately)
- Heavy-duty bottom arm and top pivot with screw holes spaced to straddle lead lining, or for extra heavy or very high traffic doors.
- Available for the following lead-lined door thicknesses: 1-3/4" (44mm), 2" (51mm), 2-1/4" (57mm), 2-1/2" (63mm) or 3" (76mm)
- Available non-hold open (N) or automatic hold open (A) at 180°
- Built-in positive dead stop prevents door from swinging beyond 180° only
- Additional thrust bearing for greater load capacity
- Separate and independent valves for closing speed, latch speed and backcheck
- Vertical door adjustment
- Available with floor plate or threshold installation (floor plate shown)
- Cast iron cement case
- For arch top doors or applications where a L180 top pivot cannot be used, supply at least two each ML19 load bearing intermediate pivots, mounted together at the top of the vertical edge
- Doors 60" (1524mm) to 90" (2286mm) in height should use one intermediate pivot. Each additional 30" (762mm) warrants another intermediate pivot
- Furnished with wood and machine screws

## Optional Features

- Delayed action option – prefix "DA" (non-hold open closers only)
- Cold weather fluid option – specify "CWF" (not available for closers with "DA")
- Sealed closer option – specify "SC"
- For extended offsets, consult factory
- Extended spindles available in 1/2" increments up to 2" longer than standard
- For extended offsets, consult factory

## Compliance

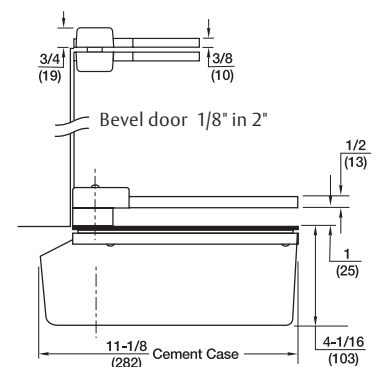
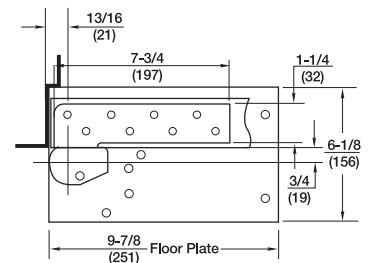
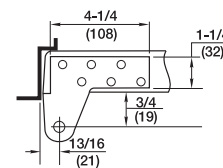
- Models available to meet ICC/ANSI A117.1 low opening force requirements, prefix "PH". (For 8-1/2 lbs. of opening force prefix PH and suffix 8-1/2 lbs.)
- For fire rated openings (up to 3 hour assemblies) prefix "F". This package will be supplied with a FL180 steel top pivot and non-hold open closer. Furnish FML19 intermediate pivot (order separately). Note: UL listing for 1-3/4" thick doors only.
- UL labeled closers cannot have PH option
- For 20-minute labeled doors suffix "-20" to the part number
- ANSI/C06071

\*Door size & weight guidelines are determined using the appropriate number of intermediate pivots



## Technical Information

(Frame stop required)



**RIXSON**<sup>®</sup>  
**ASSA ABLOY**

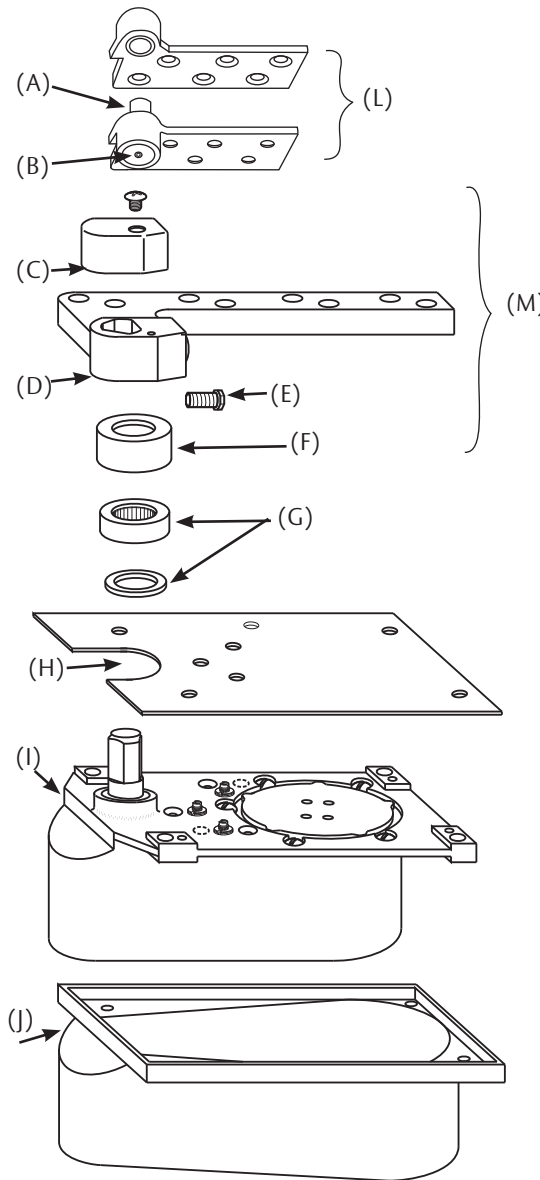
ASSA ABLOY, the global leader  
in door opening solutions



RIGHT HAND SHOWN

3/4" OFFSET

- (A) Pivot Stud  
181770-ASY
- (B) Hex Cap  
181778-\*
- (C) Arm Cap & Screw  
012142R\*AS (RH, BRS)  
012142L\*AS (LH, BRS)  
012144R\*AS (RH, SS)  
012144L\*AS (LH, SS)
- (D) Arm x Locking Screw  
1-3/4" Door  
18550-Asy (RH)  
18650-Asy (LH)  
2" Door  
18551-Asy (RH)  
18651-Asy (LH)  
2-1/4" Door  
18552-Asy (RH)  
18652-Asy (LH)  
2-1/2" Door  
18553-Asy (RH)  
18653-Asy (LH)  
3" Door  
18554-Asy (RH)  
18654-Asy (LH)
- (E) Arm Locking Screw Only  
88905-PKG (5)
- (F) Spindle Shoulder Collar  
259500-\*
- (G) Heavy-Duty Thrust Bearing  
41204-PKG  
(Includes 41207N spacer)
- (H) Floor Plate with Screws  
274050R\* (RH) NHO  
274050L\* (LH) NHO  
274750R\* (RH) SHO  
274750L\* (LH) SHO
- (I) Closer Body  
(Specify Complete  
Model No. x LAP)  
(Includes G)
- (J) Cement Case with  
Screws 253001-PKG



- (L) 3/4" Offset Top Pivot  
L180 (standard)  
FL180 (Fire Rated)  
L180 x 20 (20 minute)
- (M) Bottom Arm Package  
1-3/4" Door  
252051R\*(RH)  
252051L\*(LH)  
2" Door  
252052R\*(RH)  
252052L\*(LH)  
2-1/4" Door  
252053R\*(RH)  
252053L\*(LH)  
2-1/2" Door  
252054R\*(RH)  
252054L\*(LH)  
3" Door  
252055R\*(RH)  
252055L\*(LH)  
(Includes: C, D, F and  
attaching screws)

SCREW KITS

- L180 Screw Kit  
107016-\* Machine (2) Req  
107116-\* Wood (2) Req
- Arm Screw Kit  
107048 Machine (2) Req  
107144 Wood (2) Req
- Floor Plate Screw Kit  
107004-\*
- Cement Case Screw Kit  
107046

\*specify finish

HOW TO ORDER

PH Prefix	27 Model	90 Degree of Swing	N Hold Open	x 1/2" Ext Spdl Suffix	x RH Hand	x 626 Finish
SC	Sealed Closer	85	N Non- Hold Open		RH Right Hand	
DA	Delayed Action	90	A Automatic Hold Open		LH Left Hand	
PH	Lighter Spring (ADA)	95	S Selective Hold Open (model 27 & 28)		Blank Double Acting	
W	Wd Dr (center hung)	105				
F	Fire Rated Doors (offset) — Not available with PH	180				
		*(90 & 100 for 30-40 series only)				
	27 28			554 Concealed Arm	605 Bright Brass	
	127 H28			587 Side Load Arm	606 Satin Brass	
	427 328			Ext Spdl Longer Spindle (extra length required)	611 Bright Bronze	
	F327^ 428			1-1/2" Offset	612 Satin Bronze	
	L27			CWF Cold Weather Fluid	613 Oil Rubbed Bronze	
	Q27 *30			-20 20 Minute Label	613E Dark Oxidized Satin Bronze - equivalent	
	QT27 *40			8.5# Optional PH Spring	618 Bright Nickel	
	HM27 *H40			LAP Closer Body Only	619 Satin Nickel	
	20			LFP Less Floor Plate	622 Flat Black	
				LCC Less Cement Case	625 Bright Chrome	
				LTP Less Top Pivot	626 Satin Chrome	
				— Cover Pan (need depth)	BSP Black Suede Powder	
				— Door Thickness (for L Product)	WSP White Suede Powder	
				SPLO Special Layout #		

^Hanging means template must accompany request for quote, prior to ordering.  
 \*Degree must be furnished for hold open units only.



## PRODUCT COMPARISON CHART

## OFFSET HUNG

	20	27	27-180	127	427	HM27 <sup>6</sup>	L27	L27-180	Q27, QT27 <sup>7</sup>
Application	Replacement	Standard	Standard	Deep reveal	Deep reveal or alcove	Hollow metal doors and frames	Lead-lined, heavy or high traffic	Lead-lined, heavy or high traffic	Arm allows closer to be removed without demounting door
3/4" offset standard	•	•	•	•	•	•	•	•	•
1-1/2" offset optional <sup>1</sup>		•	•				consult factory	consult factory	
Handed	•	•	•	•	•	•	•	•	•
Exterior door		•	•	•	•	•	•	•	•
Interior door	•	•	•	•	•	•	•	•	•
Non-hold open	•	•	•	•	•	•	•	•	•
Selective hold open		•		•	•	•	•		•
Automatic hold open			•					•	
Door weight	200 lbs.	450 lbs.	450 lbs.	250 lbs.	250 lbs.	250 lbs.	1500 lbs.	1500 lbs.	350 lbs.
Maximum door swing <sup>2</sup>	180°	105°	180°	105°	105°	95°	105°	180°	95°
Maximum door width	36"	48"	48"	48"	48"	48"	48"	48"	48"
Standard top pivot (included)	180	180	180	180	180x102	N/A	L180	L180	180
Intermediate pivot (order separately) <sup>3</sup>	M19	M19	M19	119	119	N/A	ML19	ML19	(1) M19 included
Standard 1-3/4" door thickness	•	•	•	•	•	•	•	•	•
Optional door thicknesses available <sup>4</sup>							•	•	
Extended spindles available <sup>5</sup>	•	•	•	•	•	•	•	•	•
Options	PH, F, -20	SC, DA, PH, F, CWF, -20	SC, PH, F, CWF, -20	SC, DA, PH, F, CWF, -20	SC, DA, PH, CWF	SC, DA, PH, F, CWF, -20	SC, DA, PH, F, CWF, -20	SC, PH, F, -20	SC, DA, PH, F, CWF, -20
Furnished with wood and machine screws	•	•	•		•	•	•	•	•

Note: All offset closers have positive deadstop except models F327 and 20

1. Recommended door weight will be less when 1-1/2" offset is specified
2. Door swing must be specified when ordering several models. Models 27, 127, 427 and L27; specify 85°, 90°, 95° or 105°. Q/QT models; specify 85°, 90° or 95°
3. Doors 60" (1524mm) to 90" (2286mm) in height should use one intermediate pivot. Each additional 30" (762mm) of door height warrants another intermediate pivot
4. Can accommodate the following door thicknesses: 2", 2-1/4", 2-1/2" or 3". Specify when ordering
5. 1/2" increments up to 2"
6. Shipped with (3) special hinges
7. Q: includes floor plate, QT: for threshold applications
8. Delayed Action only available with NHO closers
9. CWF not available for closers with DA

Optional Features	Designation
Sealed Closer	SC
Delayed Action <sup>8</sup>	DA
Physically Handicapped	PH
Fire Rated	F
Cold Weather Fluid <sup>9</sup>	CWF
20 minute label	-20

**RIXSON**<sup>®</sup>  
**ASSA ABLOY**

ASSA ABLOY, the global leader in door opening solutions

## PRODUCT COMPARISON CHART

## CENTER HUNG, SINGLE ACTING

	28	28x554	328	428	EH28 <sup>3</sup>	EH28x587 <sup>3,4</sup>	H28	H28x587 <sup>4</sup>
Application	Standard	Standard; concealed arm eliminates visible adjusting screws	Glass doors with patch fittings (by others)	Full glass doors with patch fitting (by	Floor closer for power transfer through closer spindle	Floor closer for power transfer through closer spindle; side load arm	Extra Heavy, High Traffic Doors	Extra Heavy, High Traffic Doors; side load arm
Handed	•	•	•	•	•	•	•	•
Exterior door	•	•	•	•	•	•	•	•
Interior door	•	•	•	•	•	•	•	•
Non-hold open	•	•	•	•	•	•	•	•
Selective hold open	•	•	•	•	•	•	•	•
Door weight	350 lbs.	350 lbs.	325 lbs.	325 lbs.	500 lbs.	500 lbs.	1000 lbs.	1000 lbs.
Maximum door swing <sup>1</sup>	105°	105°	105°	105°	105°	105°	105°	105°
Maximum door width	48"	48"	38"	38"	48"	48"	48"	48"
Standard top pivot (included)	340	340	N/A	Special to fit patch fitting	H340	H340	H340	H340
Standard door thickness	1-3/4"	1-3/4"	N/A	3/8" - 1/2" thick tempered glass doors	2"	1-3/4"	2"	1-3/4"
Frame stop required	•	•	•	•	•	•	•	•
Extended spindles available <sup>2</sup>	•	•	Consult factory	Consult factory	•	•	•	•
Optional Features	SC, DA, PH, W, CWF	SC, DA, PH, CWF	SC, DA, PH, CWF	SC, DA, PH, CWF	SC, DA, PH, CWF	SC, DA, PH, CWF	SC, DA, PH, CWF	SC, DA, PH, CWF
Furnished with wood and machine screws	•	•			•	•	•	•

## Notes:

- Center hung closers are not allowed on fire rated doors
- Doors taller than 8'6", use 345 in lieu of 340 top pivot and H345 in lieu of H340 top pivot
- All single acting closers have positive deadstop

- Door swing must be specified when ordering center hung single acting closers. Single acting closers: specify 85°, 90°, 95° or 105°
- 1/2" increments up to 2"
- Low voltage Class II wiring (2 wire, 18 gauge only)
- Side load arm allows pivot point to be moved away from pivot edge of door; minimum 2-3/4" backset
- Delayed Action only available with NHO closers
- Cold Weather Fluid not available for closers with Delayed Action

Optional Features	Designation
Sealed Closer	SC
Delayed Action <sup>5</sup>	DA
Physically Handicapped	PH
Wood Door	W
Cold Weather Fluid <sup>6</sup>	CWF

**RIXSON**<sup>®</sup>  
**ASSA ABLOY**

## PRODUCT COMPARISON CHART

## CENTER HUNG, DOUBLE ACTING

	30	40	H40 <sup>3</sup>	H40x587 <sup>4</sup>
Application	Standard	Standard	Extra Heavy, High Traffic Doors	Extra Heavy, High Traffic Doors; Side Load Arm
Exterior door	•	•	•	•
Interior door	•	•	•	•
Non-hold open	•	•	•	•
Automatic hold open	•	•	•	•
Door weight	200 lbs.	300 lbs.	1000 lbs.	1000 lbs.
Maximum door swing <sup>1</sup>	103°	103°	103°	103°
Maximum door width	48"	48"	48"	48"
Standard top pivot (included)	340	340	H340	H340
Standard 1-3/4" door thickness	•	•	2" (min)	•
Extended spindles available <sup>2</sup>	•	•	•	•
Optional Features	SC, PH, W, CWF	SC, PH, W, CWF	SC, PH, CWF	SC, PH, CWF
Furnished with wood and machine screws	•	•	•	•

## Notes:

- Center hung closers are not allowed on fire rated doors
- Primary means of egress should NOT use double acting closers
- Doors taller than 8'6", use 345 in lieu of 340 top pivot and H345 in lieu of H340 top pivot

- Door swing must be specified when ordering closers. Specify 90° or 100°. Door will swing 3° beyond specified degree.
- 1/2" increments up to 2"
- Arm does not allow centering adjustment; NOT recommended for pair of doors
- Side load arm allows pivot point to be moved away from pivot edge of door; minimum 2-3/4" backset
- CWF not available for closers with DA

Optional Features	Designation
Sealed Closer	SC
Physically Handicapped	PH
Wood Door	W
Cold Weather Fluid <sup>5</sup>	CWF

**RIXSON**<sup>®</sup>  
ASSA ABLOY

ASSA ABLOY, the global leader  
in door opening solutions

ASSA ABLOY is the global leader in door opening solutions, dedicated to satisfying end-user needs for security, safety and convenience

**RIXSON**<sup>®</sup>  
**ASSA ABLOY**

**CONTACT US AT:**

Rixson<sup>®</sup>  
3000 Highway 74 East  
Monroe, NC 28112  
Tel: 800-457-5670  
Fax: 800-221-0489

ASSA ABLOY Door Security Solutions Canada  
160 Four Valley Drive  
Vaughan, Ontario, L4K 4T9 Canada  
Tel: 800-461-3007  
Fax: 800-461-8989

For a complete listing of products and applications please visit our web site.  
[www.rixson.com](http://www.rixson.com)  
[www.assaabloydss.ca](http://www.assaabloydss.ca)