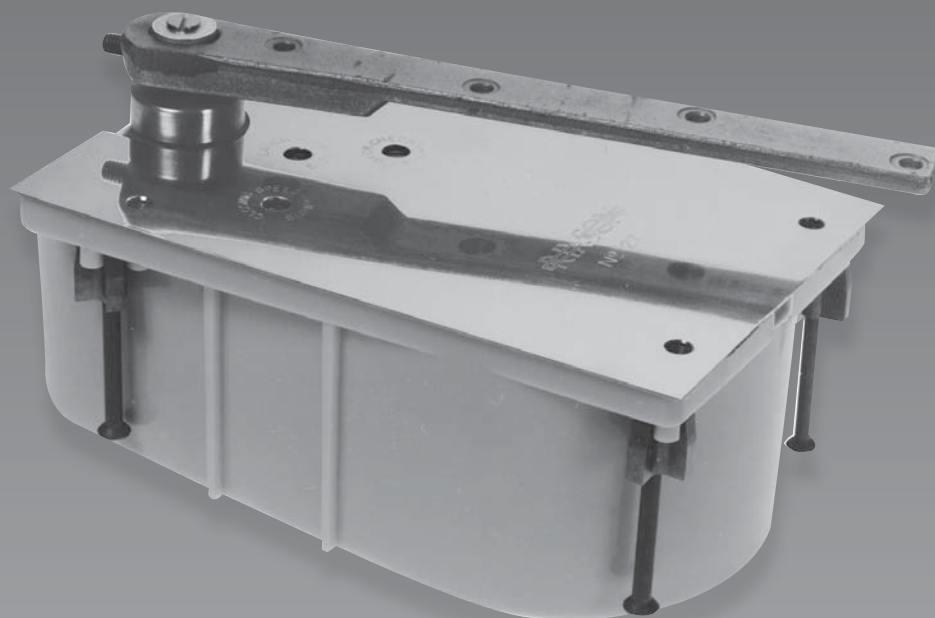


**RIXSON®**

**ASSA ABLOY**

ASSA ABLOY, the global leader  
in door opening solutions



## HEAVY-DUTY FLOOR CLOSERS

Complete Door Control for Exterior and  
Interior, High Traffic, Heavy Doors,  
Where Concealment is Desired

Copyright © 2001-2018, ASSA ABLOY Accessories and Door Controls Group, Inc., an ASSA ABLOY Group company. All rights reserved. Reproduction in whole or in part without the express written permission of ASSA ABLOY Accessories and Door Controls Group, Inc. is prohibited.

Floor closers provide the best mechanical means to support and control a door. They are designed to work with the laws of physics to provide long-lasting performance and reliability.

### The weight of the door is supported by bottom arm and floor

- Door swings with less resistance
- Heavier doors can be accommodated
- Reduced stress on frame
- Fasteners are in shear, not tension
- Eliminates door sag
- Vertically adjustable

### Heavy-duty, hardened, one piece steel spindles

- Designed to provide positive dead stop
- Thrust bearing supports vertical load
- Needle bearings for lateral forces
- Extra heavy-duty models also have an additional surface applied thrust bearing to handle heavier doors or doors that have very high traffic

### Bottom arm attached directly to closer spindle

- A mechanical advantage that increases efficiency insuring that ICC/ANSI A117.1 compliant, lower opening forces, will still close the door
- One to one ratio of door swing to spindle rotation makes control more precise
- Floor closers are more efficient than a regular arm surface closer

### Helical torsion spring

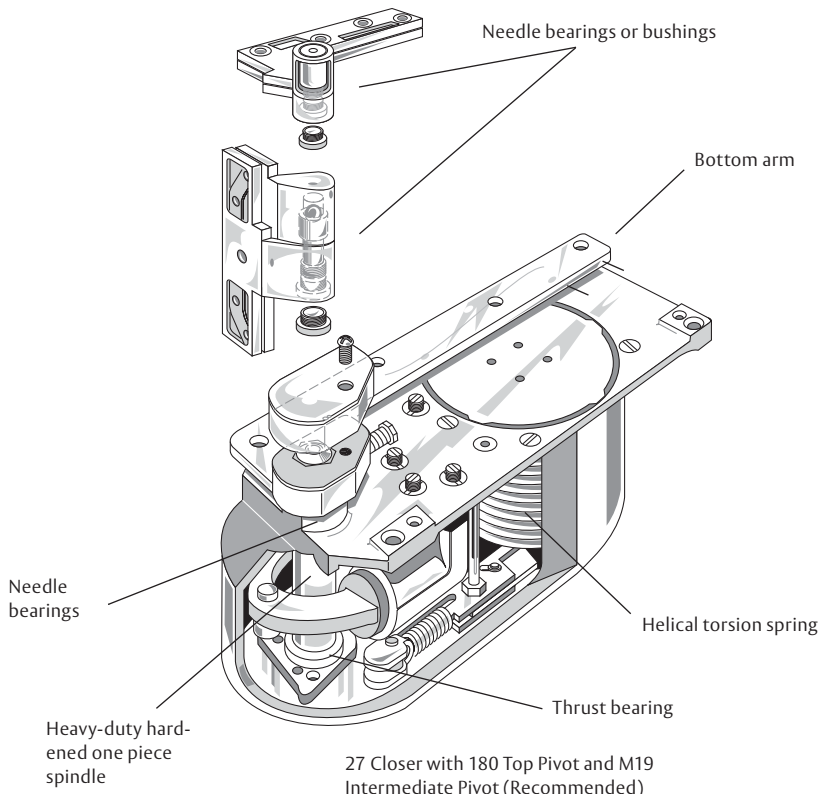
- Operates in same direction as door movement and contributes to even higher closer efficiency
- A torsion spring has a much longer life than standard compression springs

### Advantages of concealed floor closers

- Aesthetics – let the beauty of the door and its surroundings take center stage
- Vandal resistant – mechanism not exposed
- The solution for arch top doors – offset floor closers
- Both mechanical advantage and aesthetics – a concealed floor closer exclusive

### Choose from many different models

- Use standard product with a top pivot for the best efficiency
- Use a quick install (Q) model to facilitate easy closer removal
- Use extra heavy-duty (L & H) (L-offset) (H-center hung) models for higher traffic/lead lined or extremely heavy doors
- Use model HM with 3/4" offset hinges for hollow metal doors and frames prepared for 4-1/2" hinges
- Closers can be offset hung, center hung or independently hung, single or double acting (center hung only)



## Application

- Single Acting, Handed
- Exterior or Interior Doors
- Weight to 450 lbs.\*
- Door Width up to 4'0" (1219mm)

## Product Description & Features

- 180 top pivot included
- M19 intermediate pivot(s) required (order separately)
- Available non-hold open (N) or selective hold open (S) at same degree as dead stop
- Built-in positive dead stop prevents door from swinging beyond the desired opening degree (specify 85°, 90°, 95°, 105°)
- Separate and independent valves for closing speed, latch speed and backcheck
- Vertical door adjustment
- Available with floor plate or threshold installation (floor plate shown)
- Cylolac, rust-proof cement case
- For arch top doors or applications when the 180 top pivot cannot be used, supply at least two each M190 load-bearing intermediate pivots, mounted together at the top of the straight vertical edge

## Optional Features

- Delayed action option-prefix "DA" (non-hold open closers only)
- Cold weather fluid available – specify "CWF" (not available for closers with "DA")
- Sealed closer option – specify "SC"
- Available 1-1/2" offset, for doors with 3/4" cladding or frames with applied molding, maximum door weight 250 lbs.
- Extended spindles available in 1/2" increments up to 2" longer than standard
- Doors 60" (1524mm) to 90" (2286mm) in height should use one intermediate pivot. Each additional 30" (762mm) warrants another intermediate pivot
- Furnished with wood and machine screws

## Compliance

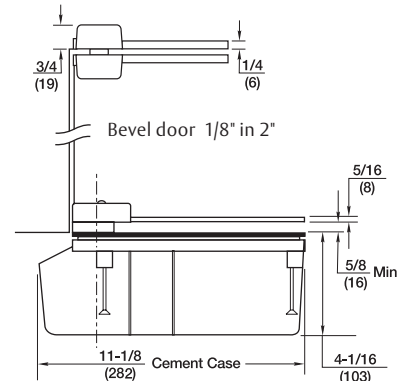
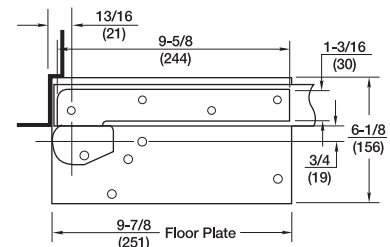
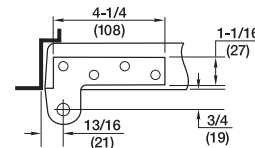
- Models available to meet ICC/ANSI A117.1 low opening force requirements, prefix "PH". (For 8-1/2 lbs. of opening force prefix PH and suffix 8-1/2 lbs.)
- For fire rated openings (up to 3 hour assemblies) prefix "F". This package will be supplied with a F180 steel top pivot and a non-hold open closer. FM19 intermediate pivot required (order separately)
- UL listed closers cannot have PH option
- For 20-minute labeled doors suffix "-20" to the part number
- ANSI/C06041/C06051

\* Door size & weight guidelines are determined using the appropriate number of intermediate pivots



## Technical Information

(Frame stop required)



**RIXSON**  
**ASSA ABLOY**

## Application

- Single Acting, Handed
- Exterior or Interior Doors
- Weight to 450 lbs.\*
- Door Width up to 4'0" (1219mm)

## Product Description & Features

- 180 top pivot included
- M19 intermediate pivot(s) required (order separately)
- Available non-hold open (N) or automatic hold open (A)
- Maximum opening 180°, auxiliary floor or wall stop recommended
- Separate and independent valves for closing speed and latch speed
- Adjustable hydraulic backcheck
- Vertical door adjustment
- Available with floor plate or threshold installation (floor plate shown)
- Cyclocac, rustproof cement case
- For arch top doors or applications where a 180 top pivot cannot be used, supply at least two each M190 load-bearing intermediate pivots, mounted together at the top of the vertical edge
- Doors 60" (1524mm) to 90" (2286mm) in height should use one intermediate pivot. Each additional 30" (762mm) warrants another intermediate pivot
- Not available with delayed action (DA)
- Furnished with wood and machine screws

## Optional Features

- Cold weather option – specify "CWF"
- Sealed closer option – specify "SC"
- Available 1-1/2" offset, for doors with 3/4" cladding or frames with applied molding, maximum door weight 250 lbs.
- Extended spindles available in 1/2" increments up to 2" longer than standard

## Compliance

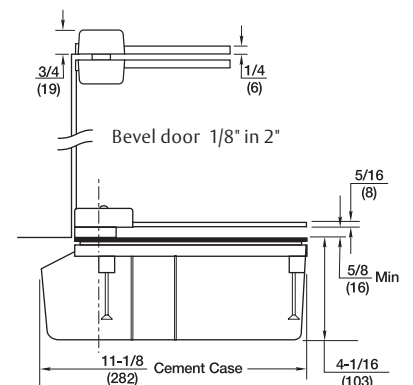
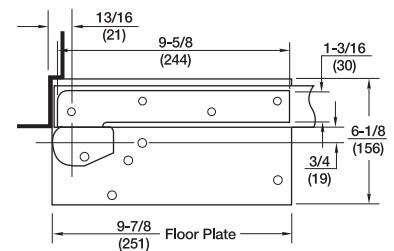
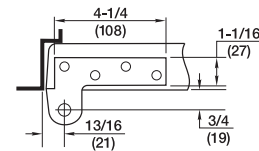
- Models available to meet ICC/ANSI A117.1 low opening force requirements, prefix "PH". (For 8-1/2 lbs. of opening force prefix "PH" and suffix "8-1/2 lbs.")
- For fire rated openings (up to 3 hour assemblies) prefix "F". This package will be supplied with a F180 steel top pivot and a non-hold open closer. FM19 intermediate pivot required (order separately)
- UL labeled closers cannot have PH option
- For 20-minute labeled doors suffix "-20" to the part number

\* Door size & weight guidelines are determined using the appropriate number of intermediate pivots



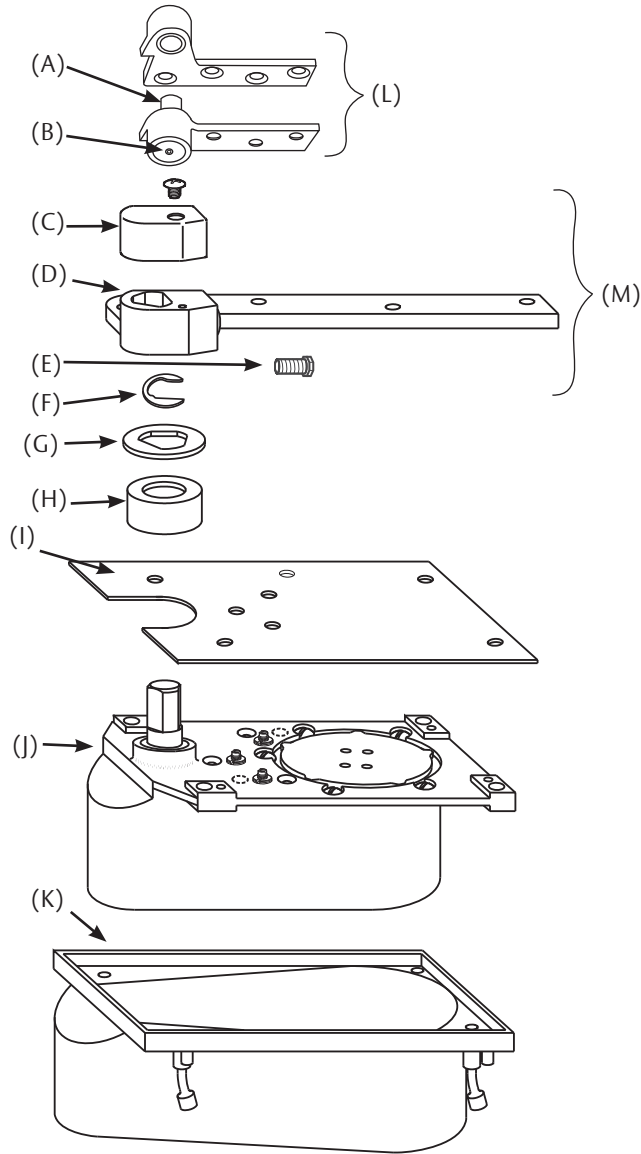
## Technical Information

(Frame stop required)



RIGHT HAND SHOWN  
3/4" OFFSET

- (A) Pivot Stud  
181770-ASY
- (B) Hex Cap  
181778-\*
- (C) Arm Cap & Screw  
012142R\*AS (RH, BRS)  
012142L\*AS (LH, BRS)  
012144R\*AS (RH, SS)  
012144L\*AS (LH, SS)
- (D) 3/4" Offset Arm x Locking Screw  
275177 (RH)  
275176 (LH)
- (E) Arm Locking Screw Only  
88905-PKG (5)
- (F) Arm Shims  
275065-PKG (5)
- (G) Arm Bearing Washer  
275062-PKG (5)
- (H) Spindle Shoulder Collar  
259000-\*
- (I) Floor Plate x Screws  
274050R\* (RH) NHO  
274050L\* (LH) NHO  
274750R\* (RH) SHO  
274750L\* (LH) SHO
- (J) Closer Body  
LAP Specify Complete  
Model
- (K) Cement Case x Screws  
253000-PKG
- (L) 3/4" Offset Top Pivot  
Assembly  
180 (standard)  
F180 (Fire Rated)  
180-20 (20 minutes)
- (M) Bottom Arm Package  
252050R\* (RH)  
252050L\* (LH)  
(Includes C,D, H, and  
attaching screws)



SCREW KITS

- 180 Top Pivot Screw Kit  
107014-\* Machine (2) Req  
107114-\* Wood (2) Req

- Arm Screw Kit  
107044 Machine  
107144 Wood

- Floor Plate Screw Kit  
107004 -\*

- Cement Case Screw Kit  
107046

FOR 27 x 1-1/2" OFFSET

- 1-1/2" Offset Top Pivot  
180 x 1-1/2" (standard)  
F180 x 1-1/2" (Fire Rated)  
180 x 20 x 1-1/2" (20 minute)
- 1-1/2" Offset Arm x Locking Screw  
275167-\*
- 1-1/2" Bottom Arm Package  
252060R\*  
252060L\*

\*specify finish

HOW TO ORDER

PH Prefix	27 Model	90 Degree of Swing	N Hold Open	x 1/2" Ext Spdl Suffix	x RH Hand	x 626 Finish
SC	Sealed Closer	85	N Non- Hold Open		RH Right Hand	
DA	Delayed Action	90	A Automatic Hold Open		LH Left Hand	
PH	Lighter Spring (ADA)	95	S Selective Hold Open (model 27 & 28)		Blank Double Acting	
W	Wd Dr (center hung)	105				
F	Fire Rated Doors (offset) — Not available with PH	180 *(90 & 100 for 30-40 series only)				
	27 28			554 Concealed Arm	605 Bright Brass	
	127 H28			587 Side Load Arm	606 Satin Brass	
	427 328			Ext Spdl Longer Spindle (extra length required)	611 Bright Bronze	
	F327^ 428			1-1/2" Offset	612 Satin Bronze	
	L27			CWF Cold Weather Fluid	613 Oil Rubbed Bronze	
	Q27 *30			-20 20 Minute Label	613E Dark Oxidized Satin Bronze - equivalent	
	QT27 *40			8.5# Optional PH Spring	618 Bright Nickel	
	HM27 *H40			LAP Closer Body Only	619 Satin Nickel	
	20			LFP Less Floor Plate	622 Flat Black	
				LCC Less Cement Case	625 Bright Chrome	
				LTP Less Top Pivot	626 Satin Chrome	
				— Cover Pan (need depth)	BSP Black Suede Powder	
				— Door Thickness (for L Product)	WSP White Suede Powder	
				SPLO Special Layout #		

^Hanging means template must accompany request for quote, prior to ordering.  
 \*Degree must be furnished for hold open units only.



## PRODUCT COMPARISON CHART

## OFFSET HUNG

	20	27	27-180	127	427	HM27 <sup>6</sup>	L27	L27-180	Q27, QT27 <sup>7</sup>
Application	Replacement	Standard	Standard	Deep reveal	Deep reveal or alcove	Hollow metal doors and frames	Lead-lined, heavy or high traffic	Lead-lined, heavy or high traffic	Arm allows closer to be removed without demounting door
3/4" offset standard	•	•	•	•	•	•	•	•	•
1-1/2" offset optional <sup>1</sup>		•	•				consult factory	consult factory	
Handed	•	•	•	•	•	•	•	•	•
Exterior door		•	•	•	•	•	•	•	•
Interior door	•	•	•	•	•	•	•	•	•
Non-hold open	•	•	•	•	•	•	•	•	•
Selective hold open		•		•	•	•	•		•
Automatic hold open			•					•	
Door weight	200 lbs.	450 lbs.	450 lbs.	250 lbs.	250 lbs.	250 lbs.	1500 lbs.	1500 lbs.	350 lbs.
Maximum door swing <sup>2</sup>	180°	105°	180°	105°	105°	95°	105°	180°	95°
Maximum door width	36"	48"	48"	48"	48"	48"	48"	48"	48"
Standard top pivot (included)	180	180	180	180	180x102	N/A	L180	L180	180
Intermediate pivot (order separately) <sup>3</sup>	M19	M19	M19	119	119	N/A	ML19	ML19	(1) M19 included
Standard 1-3/4" door thickness	•	•	•	•	•	•	•	•	•
Optional door thicknesses available <sup>4</sup>							•	•	
Extended spindles available <sup>5</sup>	•	•	•	•	•	•	•	•	•
Options	PH, F, -20	SC, DA, PH, F, CWF, -20	SC, PH, F, CWF, -20	SC, DA, PH, F, CWF, -20	SC, DA, PH, CWF	SC, DA, PH, F, CWF, -20	SC, DA, PH, F, CWF, -20	SC, PH, F, -20	SC, DA, PH, F, CWF, -20
Furnished with wood and machine screws	•	•	•		•	•	•	•	•

Note: All offset closers have positive deadstop except models F327 and 20

1. Recommended door weight will be less when 1-1/2" offset is specified
2. Door swing must be specified when ordering several models. Models 27, 127, 427 and L27; specify 85°, 90°, 95° or 105°. Q/QT models; specify 85°, 90° or 95°
3. Doors 60" (1524mm) to 90" (2286mm) in height should use one intermediate pivot. Each additional 30" (762mm) of door height warrants another intermediate pivot
4. Can accommodate the following door thicknesses: 2", 2-1/4", 2-1/2" or 3". Specify when ordering
5. 1/2" increments up to 2"
6. Shipped with (3) special hinges
7. Q: includes floor plate, QT: for threshold applications
8. Delayed Action only available with NHO closers
9. CWF not available for closers with DA

Optional Features	Designation
Sealed Closer	SC
Delayed Action <sup>8</sup>	DA
Physically Handicapped	PH
Fire Rated	F
Cold Weather Fluid <sup>9</sup>	CWF
20 minute label	-20

**RIXSON**<sup>®</sup>  
**ASSA ABLOY**

ASSA ABLOY, the global leader  
in door opening solutions