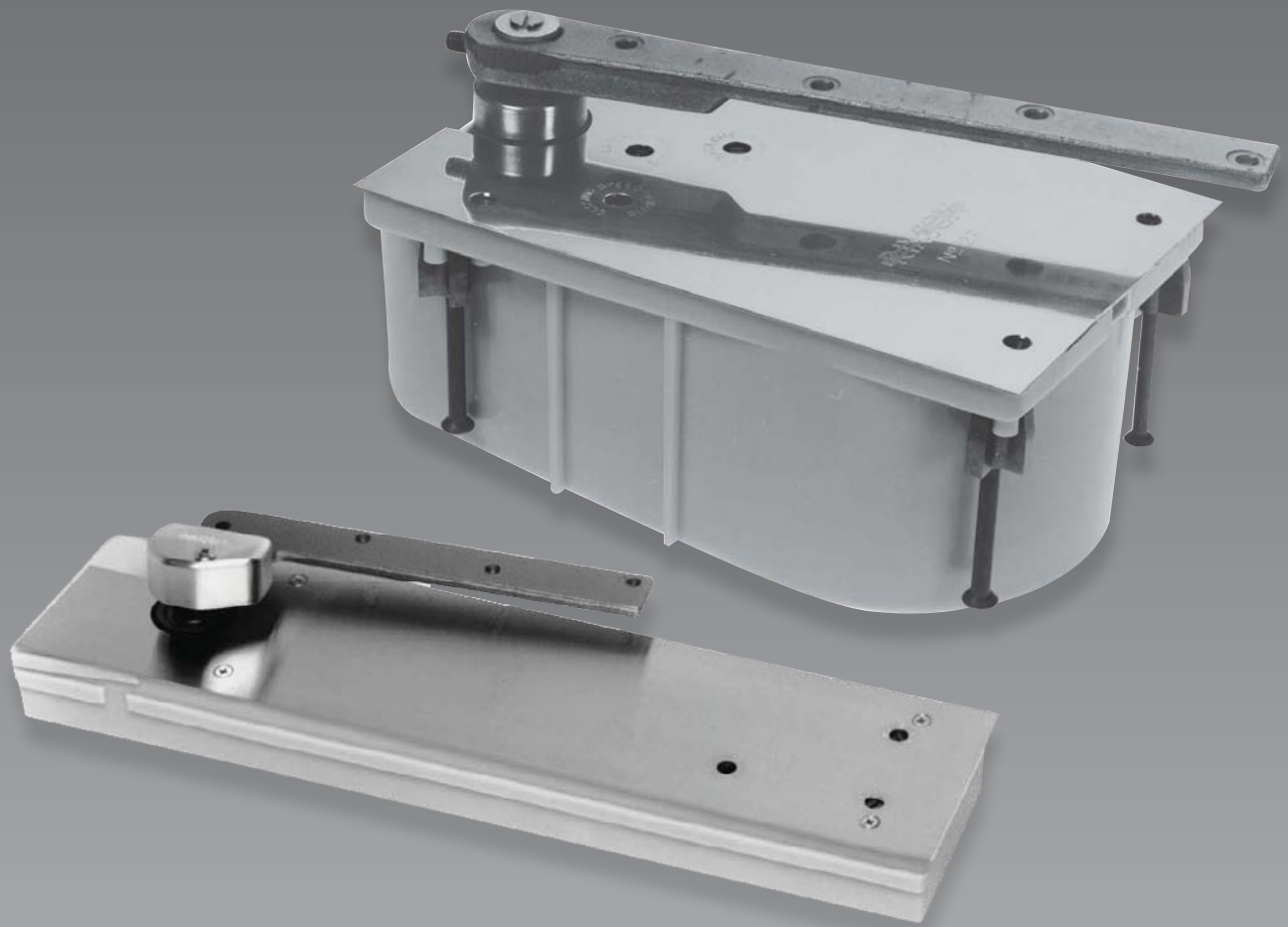


Experience a safer
and more open world



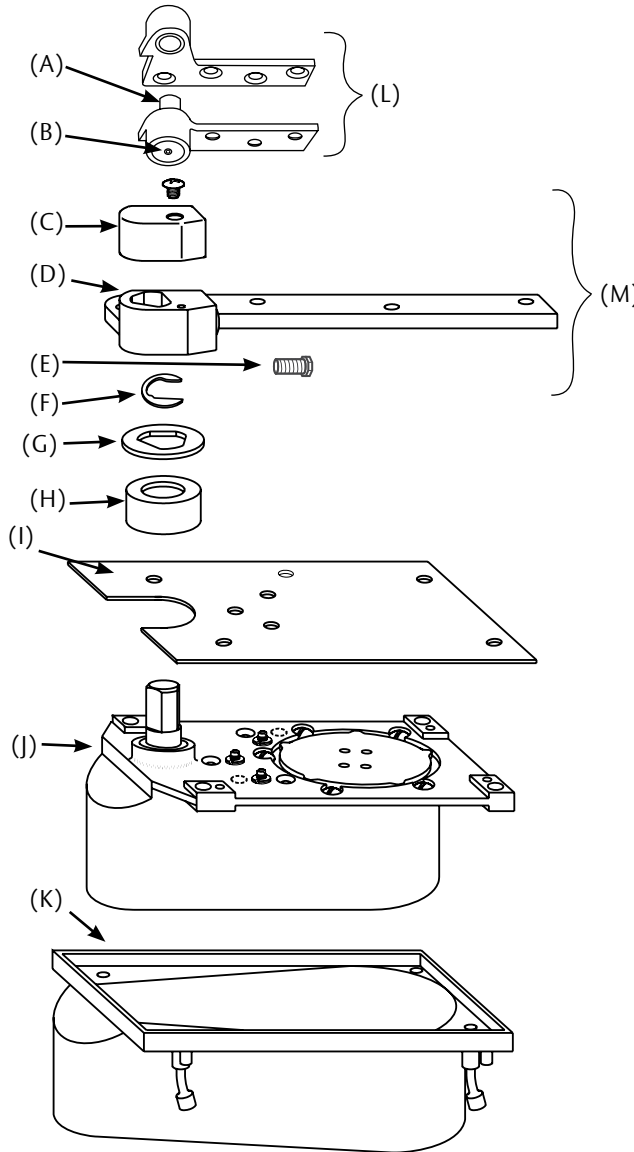
HEAVY-DUTY FLOOR CLOSERS

Complete Door Control for Exterior and
Interior Doors, Where Concealment is Desired

RIGHT HAND SHOWN

3/4" OFFSET

- (A) Pivot Stud
181770-ASY
- (B) Hex Cap
181778-*
- (C) Arm Cap & Screw
012142R*AS (RH, BRS)
012142L*AS (LH, BRS)
012144R*AS (RH, SS)
012144L*AS (LH, SS)
- (D) 3/4" Offset Arm x Locking Screw
275177 (RH)
275176 (LH)
- (E) Arm Locking Screw Only
88905-PKG (5)
- (F) Arm Shims
275065-PKG (5)
- (G) Arm Bearing Washer
275062-PKG (5)
- (H) Spindle Shoulder Collar
259000-*
- (I) Floor Plate x Screws
274050R* (RH) NHO
274050L* (LH) NHO
274750R* (RH) SHO
274750L* (LH) SHO
- (J) Closer Body
LAP Specify Complete Model
- (K) Cement Case x Screws
253000-PKG
- (L) 3/4" Offset Top Pivot Assembly
180 (standard)
F180 (Fire Rated)
180-20 (20 minutes)
- (M) Bottom Arm Package
252050R* (RH)
252050L* (LH)
(Includes C,D, H, and attaching screws)



SCREW KITS

- 180 Top Pivot Screw Kit
107014-* Machine (2) Req
107114-* Wood (2) Req

- Arm Screw Kit
107044 Machine
107144 Wood

- Floor Plate Screw Kit
107004 -*

- Cement Case Screw Kit
107046

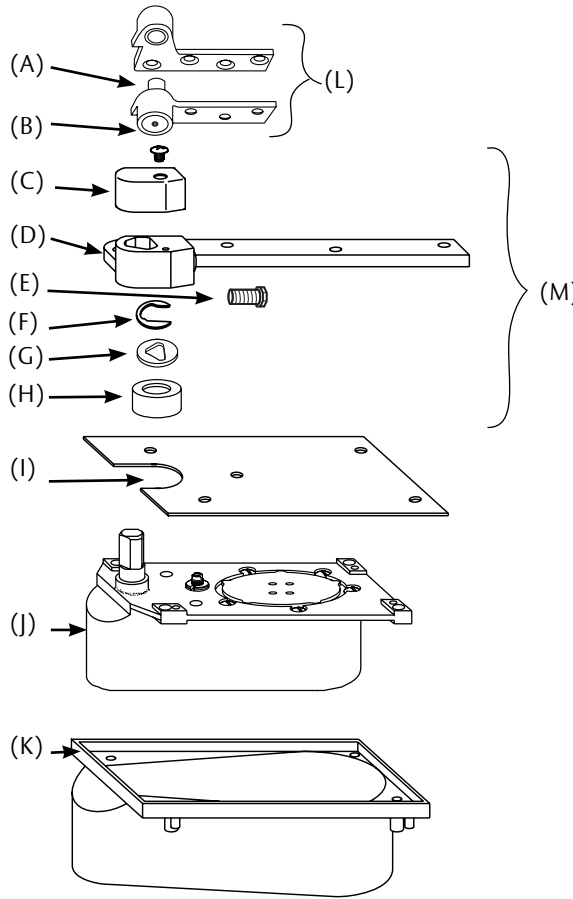
FOR 27 x 1-1/2" OFFSET

- 1-1/2" Offset Top Pivot
180 x 1-1/2" (standard)
F180 x 1-1/2" (Fire Rated)
180 x 20 x 1-1/2" (20 minute)
- 1-1/2" Offset Arm x Locking Screw
275167-*
- 1-1/2" Bottom Arm Package
252060R*
252060L*

RIGHT HAND SHOWN

3/4" OFFSET

- (A) Pivot Stud
181770-ASY
- (B) Hex Cap
181778-*
- (C) Arm Cap & Screw
012142R*AS
(RH, BRS)
012142L*AS
(LH, BRS)
012144R*AS
(RH, SS)
012144L*AS
(LH, SS)
- (D) 3/4" Offset Arm x
Locking Screw
275177 (RH)
275176 (LH)
- (E) Arm Locking Screw Only
88905-PKG (5)
- (F) Arm Shims
275065-PKG (5)
- (G) Arm Bearing Washer
275062-PKG (5)
- (H) Spindle Shoulder Collar
259000-*
- (L) 3/4" Offset Top Pivot
180 (standard)
FL180 (Fire Rated)
180 - 20 (20 Minute)
- (M) Bottom Arm Package
252050R* (RH)
252050L* (LH)
(Includes C, D, H and
attaching screws)
- (I) Floor Plate with Screws
204050-*
- (J) Closer Body (Specify
Complete Model No. x LAP)
- (K) Cement Case with Screws
203000



SCREW KITS

- 180 Screw Kit
- 107014-* Machine (2) Req
- 107114-* Wood (2) Req
- Arm Screw Kit
- 107044-* Machine (2) Req
- 107144-* Wood (2) Req
- Floor Plate Screw Kit
- 107004-*
- Cement Case Screw Kit
- 107046

*specify finish



Experience a safer
and more open world