

Experience a safer
and more open world



PIVOTS AND PIVOT SETS

Architectural Solutions for Durable
and Efficient Hanging of Doors

Model 375

Application

- Exterior or Interior Doors
- Weight to 500 lbs.
- Door Sizes up to 3'8"x 8'6"* (1118 x 2591mm)
- Non-handed

Product Description & Features

- 345 top pivot included
- Bottom pivot mounts directly to floor
- Pivot point centered in thickness of door
- Door must have radius on pivot edge
- Pivot set features sealed bearings for protection against weather and debris
- Not allowed for use on labeled doors and frames
- Furnished with wood and machine screws

Optional Features

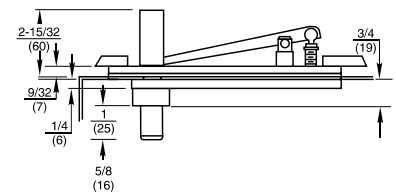
- Available with extended spindles in 1/2" (13mm) increments up to 2" (51mm) longer than standard

Compliance

- ANSI C07032



Technical Information



For bottom portion see 370 above

Model 117-3/4

Application

- Exterior or Interior Doors
- Weight to 600 lbs.
- Door Sizes up to 4'0"x 8'6"* (1219 x 2591mm)
- Non-handed

Product Description & Features

- 340 top pivot included
- Bottom pivot is mortised into floor
- Pivot point centered in thickness of door
- Door must have radius on pivot edge
- Heavy-duty bearings
- Pivot set features sealed bearings for protection against weather and debris
- Not allowed for use on labeled doors and frames
- Furnished with wood and machine screws

Optional Features

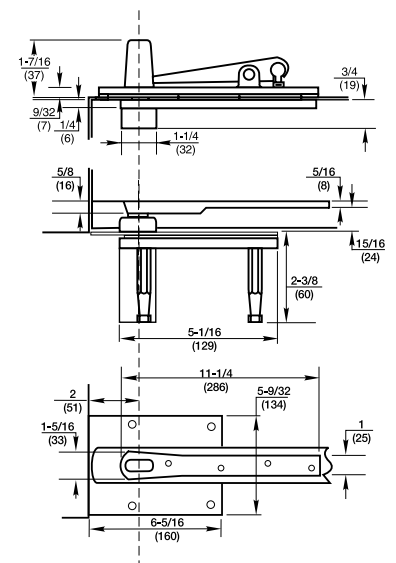
- Available with extended spindles in 1/2" (13mm) increments up to 2" (51mm) longer than standard

Center hung pivots are door hanging means only. To close doors, see floor closer sections of the catalogs.

*For doors taller than 8'6" use top pivot 345 in lieu of 340



Technical Information



ASSA ABLOY

Experience a safer
and more open world