

RIXSON

ASSA ABLOY

Experience a safer
and more open world



ELECTRIFIED CLOSER/HOLDER

Fire/Life-Safety Products to
Protect People and Property

Copyright © 2001-2020, ASSA ABLOY Accessories and Door Controls Group, Inc., an ASSA ABLOY Group company. All rights reserved. Reproduction in whole or in part without the express written permission of ASSA ABLOY Accessories and Door Controls Group, Inc. is prohibited.

Introduction

Designed for a variety of applications, fire/life-safety closers and holders protect people and property. Rixson offers three distinctly different holding devices: the Smok-Chek® V, Smok-Chek® VI and Checkmate® 99 series.

The single-point electromechanical Smok-Chek V can be mounted on the push or pull side of the door and is best suited for cross corridor doors. The Smok-Chek VI is ideal for patient room doors using the free swing arm option. Checkmate 99, an electrified holder, is used with independent closers and can be mounted on the push or pull side of the door.



6 Pull Shown

Table of Contents

General Information..... 3

Specifications..... 3

Smok Chek® V

 0600, 0601, 0602 4-5

 0100, 0101 5-6

 How to Order, Product Comparison Chart 7

 Parts List 8-9

Smok Chek® VI

 4 Pull 10

 4 Push 10

 How to Order, Product Comparison Chart 11

 Parts List 12-13

Checkmate® 99

 99-726..... 14

 99-926..... 14

 How to Order, Product Comparison Chart 15

 Parts List 16



Experience a safer
and more open world

General Information

Smok-Chek® V

Electromechanical action

- Single point hold open
- More durable than electrohydraulic units
- To hold open at 90°, door must open to 93°
- Best suited for cross corridor doors



Checkmate® 99

Smok-Chek® VI

Electrohydraulic action

- Single point hold open-field adjustable, via cam
- Factory preset at 80°
- To hold open at 90°, door must open to 105°
- Free-Swing arm option; door acts as if there is no closer attached until the power is cut and the arm piece brings the door closed
- Best suited for patient room doors using free swing arm option

Checkmate® 99

Electromechanical action – no closer supplied

- For doors with floor closers or surface mounted door closers
- Single point hold open
- To hold open at 90°, door must open to 93°
- Best suited for cross corridor doors

Note: These products are not designed to be manually pulled out of hold open. If continual cycling is necessary, a separate switch to release should be used.

Specifications

Closer/Holders shall be Smok-Chek® V series. They should be electromechanical type. All holders shall open and hold up to 180°. Units shall have holder on the frame and closer on the door. Product with fall-off will not be acceptable.

Closer/Holders shall be Smok-Chek® VI series. They should be electrohydraulic type. All models shall have the ability to be set to multiple point hold open in the field. This product should have free swing option.

Whenever floor closers are specified and an electromechanical hold open is needed, the product should be **Checkmate®99**. This separate holder will allow the doors to swing to 110°, depending on the type of closer being used.

0600 Pull Side Mounting

Application

- Cross corridor doors - swinging in the same direction
- Maximum door weight 250 lbs.
- Doors up to 4'0" (1219mm)

Features

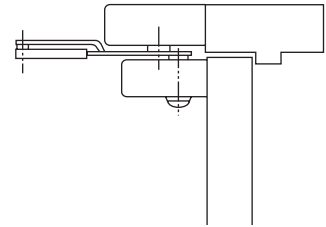
- Pull side mount
- Non-handed
- Hold open range 85°- 145°
- Mounts on 2" header
- Adjustable spring surface closer
- Maximum reveal 1/8"
- Concealed switch disconnects hold open
- 2 year limited warranty

Compliance

- UL listed
- Compliant with ANSI/BHMA A156.8 and A156.15 standards
- BHMA certified 
- ANSI/C00111

Electrical Data

- 24VAC/DC 80ma
- 120VAC 17ma



0601 Push Side Mounting


Application

- Cross corridor doors – double egress – doors swinging in opposite directions
- Maximum door weight 250 lbs.
- Doors up to 4'0" (1219mm)

Features

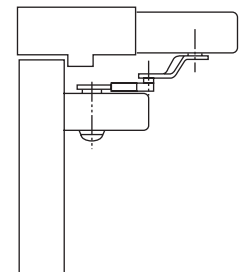
- Push side mount
- Non-handed
- Hold open range 85°- 105°
- Doors may swing and hold at 150° by using special arm 550789*
- Mounts on 2" header
- Adjustable spring surface closer
- Maximum reveal 3-1/2"
- For reveals 3-1/2" - 5-1/2" use special arm 550789*
- Concealed switch disconnects hold open
- 2 year limited warranty

Compliance

- UL listed
- Compliant with ANSI/BHMA A156.8 and A156.15 standards
- BHMA certified 
- ANSI/C00231

Electrical Data

- 24VAC/DC 80ma
- 120VAC 17ma



* 550789 arm can only be used on push side applications. For use on double egress doors with reveals from 3-1/2" to 5-1/2" or on applications where doors need to swing to 150°

Arm	Reveal	Hold Open Range
Standard	3-1/2"	85-105°
Deep Reveal	3-1/2"	85-150°
	5-1/2"	85-135°

RIXSON®
ASSA ABLOY

Experience a safer
and more open world

0602 Holder

ELECTIFIED CLOSER/HOLDER
SMOK-CHEK® V


Application

- Cross corridor doors – swinging in the same direction
- Maximum door weight 250 lbs.
- Doors up to 40" (1219mm)

Features

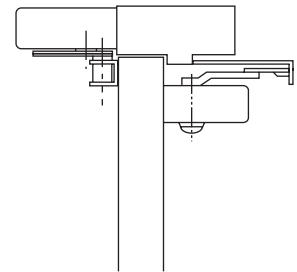
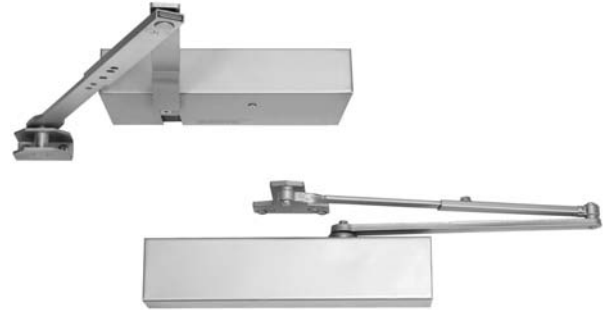
- Pull side mount for holder
- Push side mount for closer
- Non-handed
- Hold open range 85° - 180°
- Mounts on 2" header
- Adjustable spring surface closer
- Maximum reveal 1/8"
- Concealed switch disconnects hold open
- 2 year limited warranty

Compliance

- UL listed
- Compliant with ANSI/BHMA A156.8 and A156.15 standards
- BHMA certified 
- ANSI/C00471

Electrical Data

- 24VAC/DC 80ma
- 120VAC 17ma



0100 Holder


Application

- Cross corridor doors – can be used with floor closers
- Maximum door weight 250 lbs.
- Doors up to 40" (1219 mm)

Features

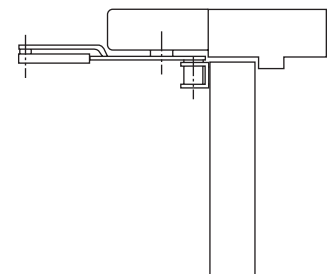
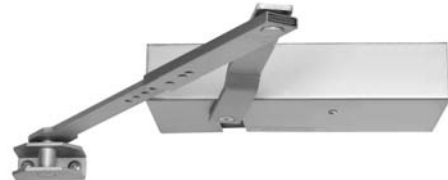
- Pull side mount for holder
- No closer supplied
- Non-handed
- Hold open range 85° - 180°
- Mounts on 2" header
- Maximum reveal 1/8"
- 2 year limited warranty

Compliance

- UL listed
- Compliant with ANSI/BHMA A156.8 and A156.15 standards
- BHMA certified 
- ANSI/C00471

Electrical Data

- 24VAC/DC 80ma
- 120VAC 17ma



RIXSON[®]
ASSA ABLOY

Experience a safer
and more open world

Application

- Cross corridor doors – double egress – doors swinging in opposite directions
- Maximum door weight 250 lbs.
- Doors up to 4'0"

Features

- Push side mount for holder
- No closer supplied
- Non-handed
- Hold open range 85° - 105°
- Mounts on 2" header
- Maximum reveal 3-1/2"
- For reveals 3-1/2" - 5-1/2" use special arm 550789*
- 2 year limited warranty

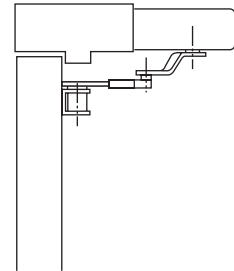
Compliance

- UL listed
- Compliant with ANSI/BHMA A156.8 and A156.15 standards
- BHMA certified 
- ANSI/C00511

Electrical Data

- 24VAC/DC 80ma
- 120VAC 17ma

*** 550789 arm can only be used on push side applications. For use on double egress doors with reveals from 3-1/2" to 5-1/2" or on applications where doors need to swing to 150°**



Arm	Reveal	Hold Open Range
Standard	3-1/2"	85-105°
Deep Reveal	3-1/2"	85-150°
	5-1/2"	85-135°

How To Order

0601 Series	120VAC Voltage	550789 Options	689 Finish
0600 Pull Side Mounting 0601 Push Side Mounting 0602 Holder on Pull Side/Closer on Push Side 0100 Pull Side Mounting Holder Only 0101 Push Side Mounting Holder Only	120VAC 24VAC/DC	550789 Arm (0601, 0101 models only)	689 Sprayed Alum 690 Sprayed Dk Brz 691 Sprayed Lt Brz 696 Sprayed Brass BSP Black Suede Powder WSP White Suede Powder

Product Comparison Chart

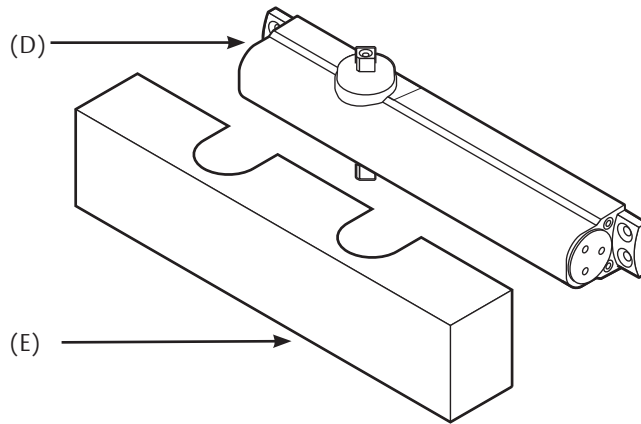
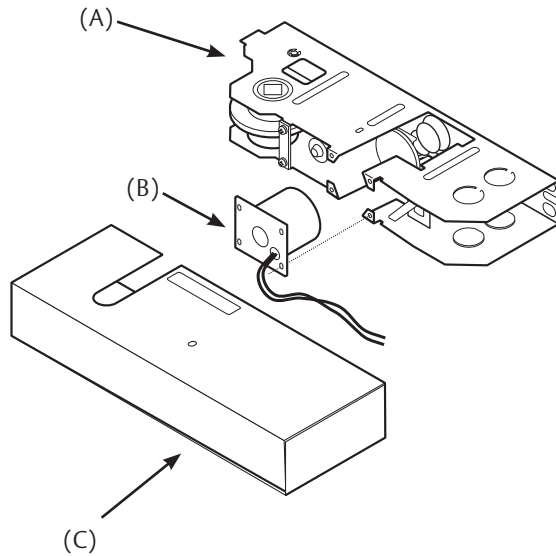
	0600	0601	0602	0100	0101
Application	Cross corridor doors (swinging in the same direction)	Cross corridor doors (swinging in the opposite direction)	Cross corridor doors (swinging in the same direction)	Cross corridor doors - can be used with floor closers	Cross corridor, double egress doors - (doors swing in opposite directions)
Closer Included	•	•	•		
Pull Side Mounting	•		Holder	Holder	
Push Side Mounting		•	Closer		Holder
Non-Handed	•	•	•	•	•
Maximum Door Weight	250 lbs.	250 lbs.	250 lbs.	250 lbs.	250 lbs.
Maximum Door Width	48"	48"	48"	48"	48"
Hold Open Range	85-145°	85-105°	85-180°	85-180°	85-105°
Maximum Reveal¹	1/8"	3-1/2"	1/8"	1/8"	3-1/2"

¹ When ordered with special arm 550789, additional reveals from 3-1/2" up to 5-1/2" may be accommodated (0601, 0101 only).

RIXSON®
ASSA ABLOY

Experience a safer
and more open world

- (A) Holder Assembly
550100 120VAC
550101 24VAC/DC
- (B) Magnet
930105 120VAC
930106 24VAC/DC
- (C) Holder Cover
550106-*
- (D) Closer Body
85010163-*
- (E) Closer Cover
233069K*



SCREW PACKS

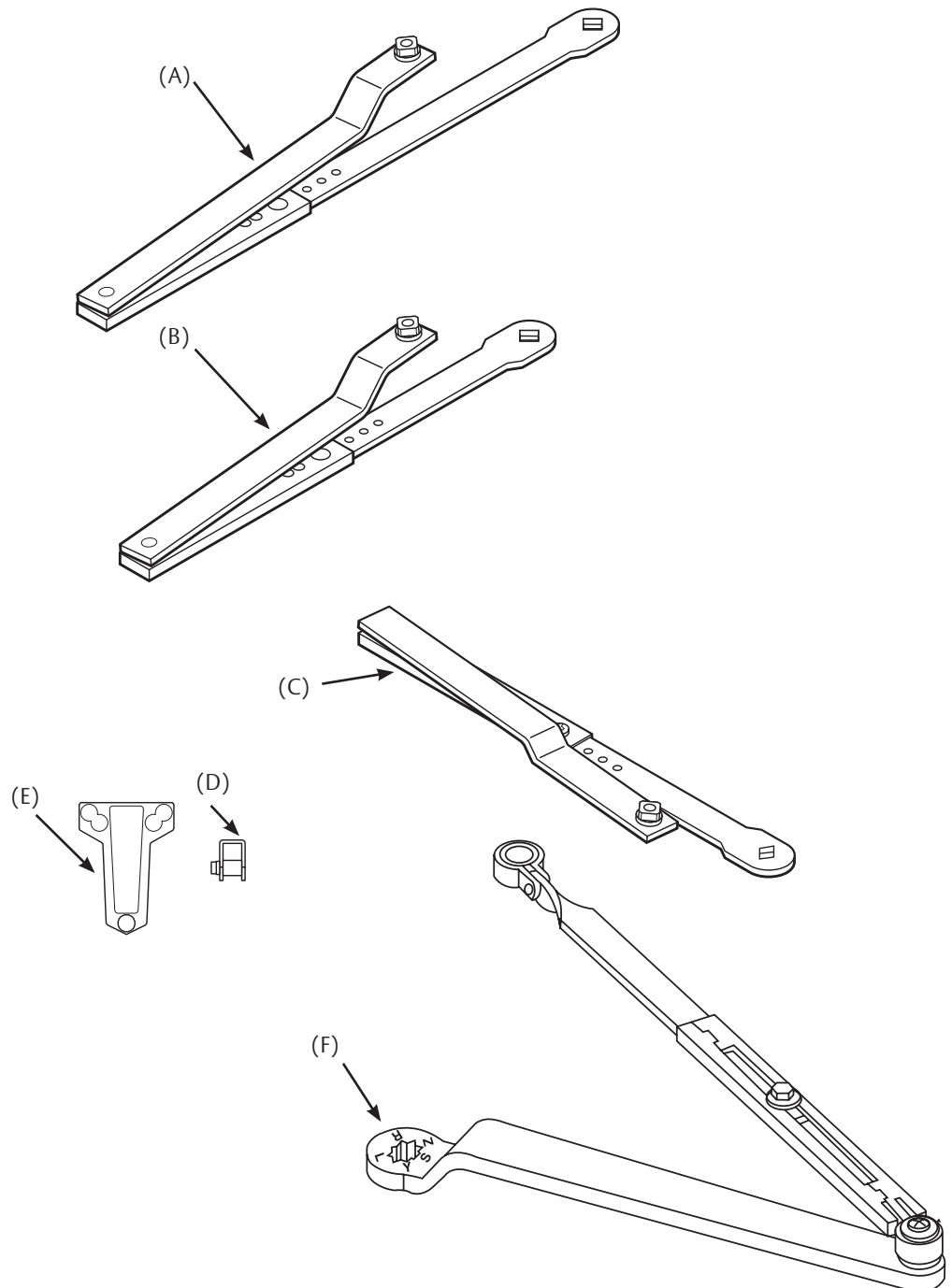
550221-
for models with closers

550131-
for models without closers



Experience a safer
and more open world

- (A) Deep Reveal Push Side Arm
550789-*
- (B) Push Side Arm
550136K*
- (C) Pull Side Arm
550120K-*
- (D) Door Pivot Bracket
(Used with 0602 closers)
565118T689
- (E) PA Bracket
(Used with 0602 closers)
40-1600-0450-078
- (F) Arm (used with 0602 closers)
20-7700-0192-*



*specify finish

RIXSON®
ASSA ABLOY

Experience a safer
and more open world

Application

- Patient room doors
- Maximum door weight 250 lbs.
- Door width 2'4" - 4'0"

Features

- Pull side mounted
- Handed
- Maximum door opening 180°; maximum hold open 175°
- Single point hold open preset at factory (85°-175°)
- 4 PULL can be used with smoke detectors
- 2" clearance required above 2" frame
- Sex bolts included standard
- 2 year limited warranty

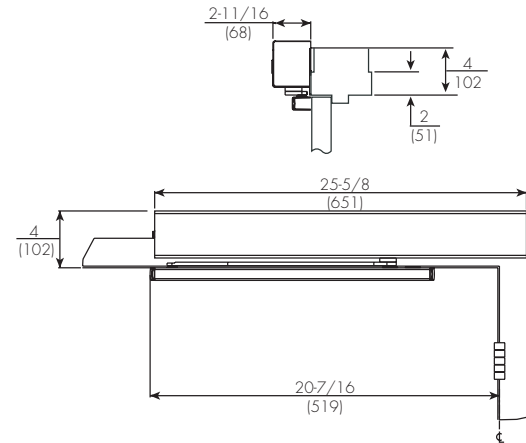
Optional Features

- Free swing arm available (prefix "FS")
- Double egress arm available for reveals deeper than 1/8" up to 3" (prefix "DE"); maximum opening 110°

Compliance

- UL listed
- Compliant with ANSI/BHMA A156.8 and A156.15 standards
- BHMA certified 
- ANSI/C00351/C00361/C00371/C00381

4 PULL



4 PUSH

Application

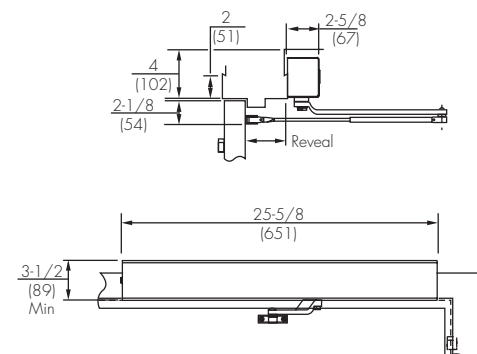
- Patient room doors or stairwells
- Maximum door weight 250 lbs.
- Door width 2'4" - 4'0"

Features

- Push side (stop) mounted
- Handed
- Maximum door opening 180°; maximum hold open 175°
- Selective Hold Open (Standard) – single point hold open preset at factory (85°-175°)
- 4 PUSH can be used with smoke detectors - 2 year limited warranty

Compliance

- UL listed
- Compliant with ANSI/BHMA A156.8 and A156.15 standards
- BHMA certified 
- ANSI/C00311/C00321



RIXSON
ASSA ABLOY

Experience a safer
and more open world

How To Order

FS Prefix	4 PULL Series	S	120VAC Voltage	RH Hand	689 Finish
FS Free Swing Arm (Pull Side Only)	4 PULL (Pull Side Mounting)		120VAC	RH	689 Sprayed Alum
DE Double Egress Arm (Pull Side Only)	4 PUSH (Push Side Mounting)		24VDC	LH	690 Sprayed Dk Brz
					691 Sprayed Lt Brz
					696 Sprayed Brass
					BSP Black Suede Powder
					WSP White Suede Powder

Notes:

- **Free Swing Arm – prefix FS**
Pull side units only. This option disengages the arm from the closing mechanism to make the door swing freely. It is normally used on patient room doors in hospitals. When an alarm cuts the power, a mechanism on the closer spindle pushes the arm and closes the door.
- **Double Egress Arm – prefix DE**
Pull side units only. This option can accommodate double egress reveals up to 3".

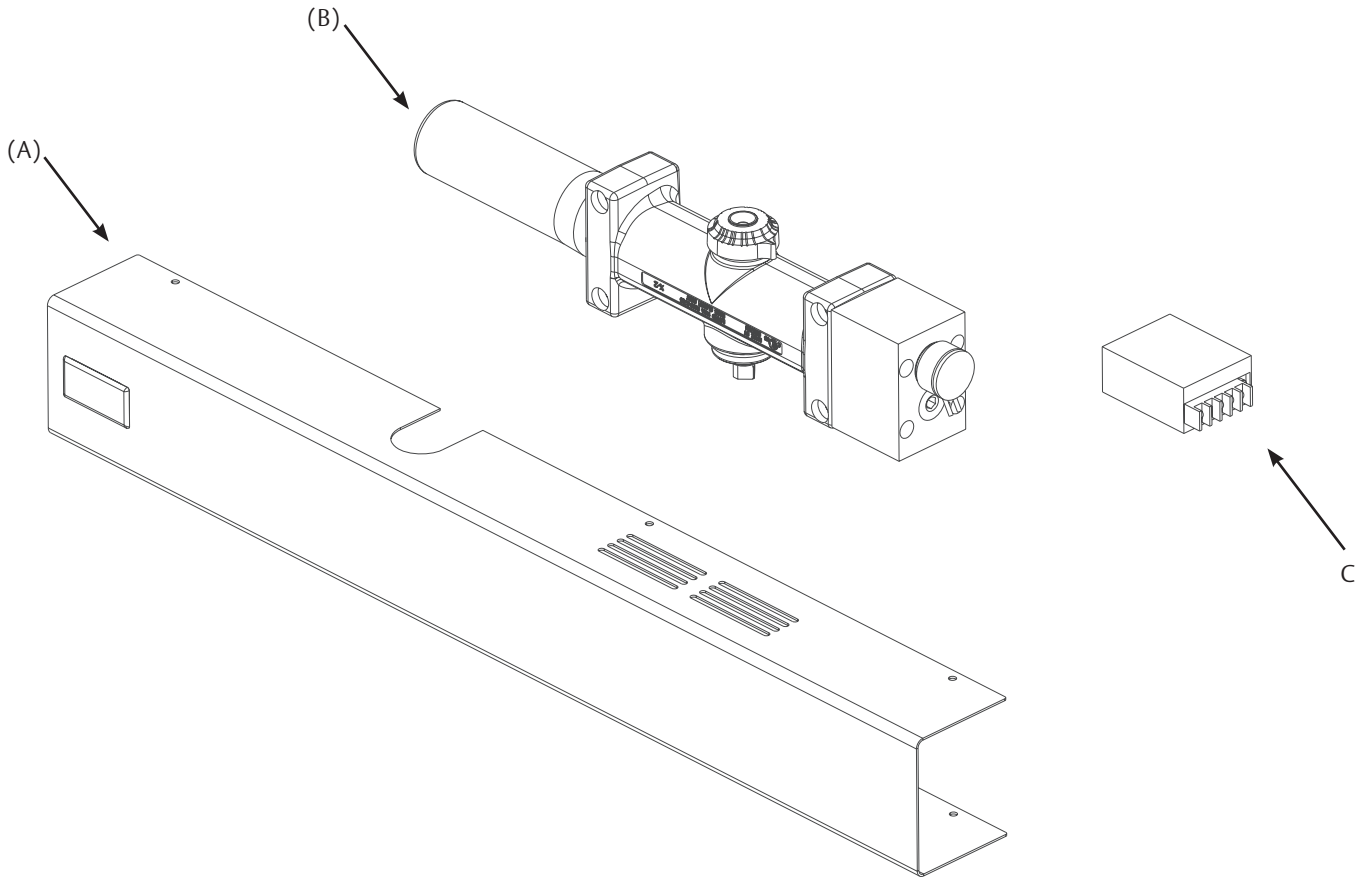
Product Comparison Chart

	4 Pull	4 Push
Application	Patient room doors	Patient room doors or stairwell
Pull Side Mounting	•	
Push Side Mounting		•
Handed	•	•
Maximum Door Weight	250 lbs.	250 lbs.
Maximum Door Width	28" - 48"	28" - 48"
Maximum Door Opening ¹	180°	180°
Maximum Hold Open	175°	175°
Single point hold open preset at factory	85°-175°	85°-175°
Maximum Reveal	3" (with DE arm)	
Options	Free Swing Arm, Double Egress Arm	
Sex bolts included	•	

1. For DE units, the maximum opening is 110°

RIXSON®
ASSA ABLOY

Experience a safer
and more open world



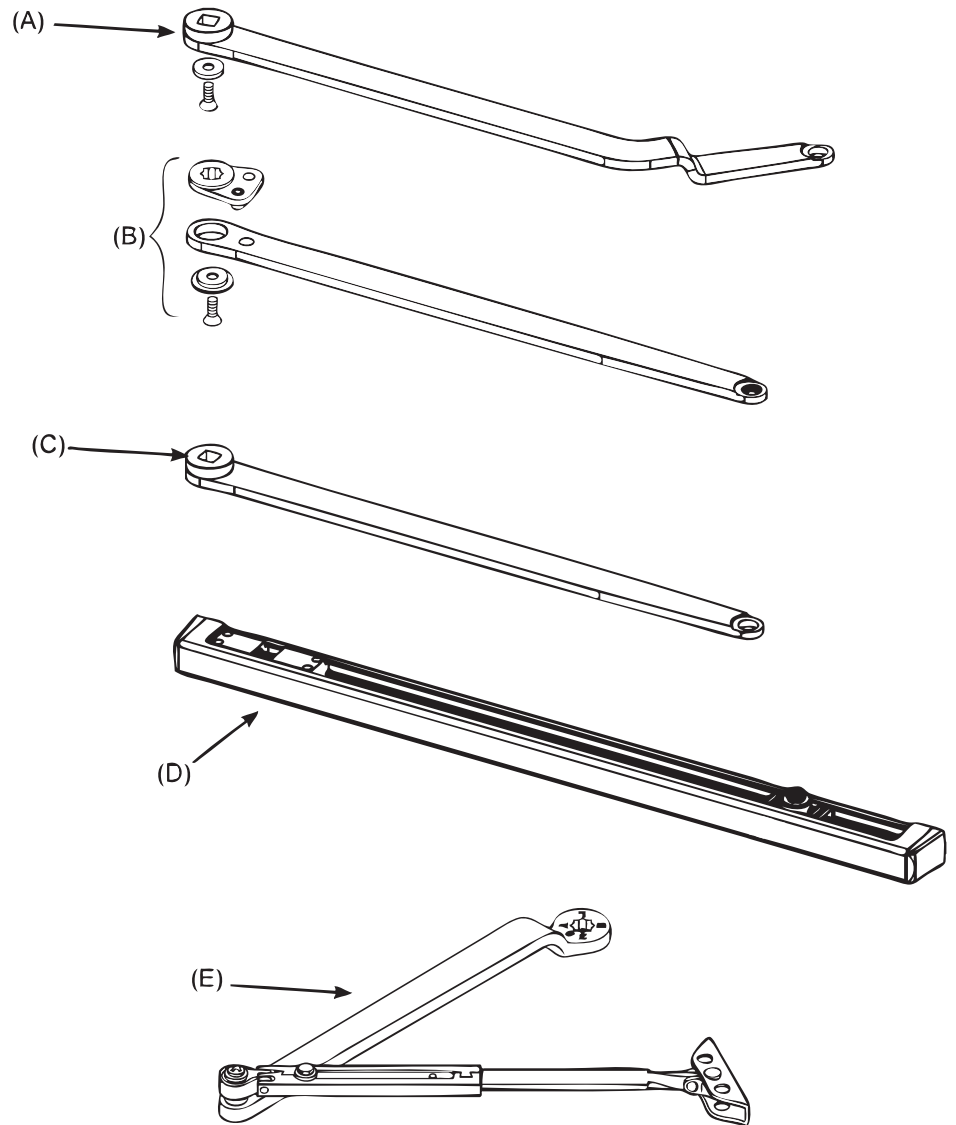
(A) Cover (Non-detected)
15-7200-0511-*

(B) Body Only
15-7204-0501-078
(RH, 24VAC/DC)
15-7204-0503-078
(LH, 24VAC/DC)

(C) Power Supply
20-0099-0613-500

*specify finish

- (A) Double Egress Pull Side
15-7200-0517-* (RH)
15-7200-0518-* (LH)
- (B) Free Swing Arm
15-7200-0516-*
- (C) Pull Side Arm
15-7200-0515-*
- (D) Pull Side Track
15-7200-0514-*
- (E) Push Side Arm
15-7200-0505-*



SEX BOLT PACKAGE
15-7200-0382-*

*specify finish

RIXSON®
ASSA ABLOY

Experience a safer
and more open world

Application

- Used with independent closers
- For doors 2'8" to 4'0"

Features

- Push side
- Surface mounted
- Non-handed
- Single acting
- 85° - 110° hold open
- Surface or concealed wiring
- Holding force 25-35 lbs.
- 2 year limited warranty

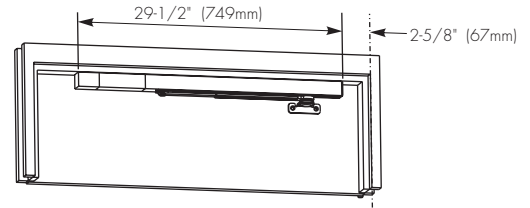
Compliance

- UL listed
- Compliant with ANSI/BHMA A156.8 and A156.15 standards
- BHMA certified 
- ANSI/C00511/C00521

Electrical Data

- 120VAC / 24VAC/DC 90mA

99-726 Push Side Mount



Application

- Used with independent closers
- For doors 2'8" to 4'0"

Features

- Pull side
- Surface mounted
- Non-handed
- Single acting
- 85° - 110° hold open
- Surface or concealed wiring
- Holding force 25-35 lbs.
- 2 year limited warranty

Compliance

- UL listed
- Compliant with ANSI/BHMA A156.8 and A156.15 standards
- BHMA certified 
- ANSI/C00471/C004811

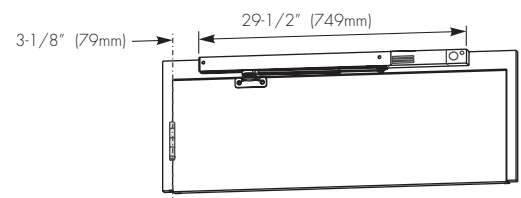
Electrical Data

- 120VAC/24VAC/DC 90mA

99-926 Pull Side Mount



99-926 shown



How To Order

99-726 Series



99-726 Push Side Mounting
99-926 Pull Side Mounting

120VAC Voltage



120VAC
24VAC/DC

689 Finish



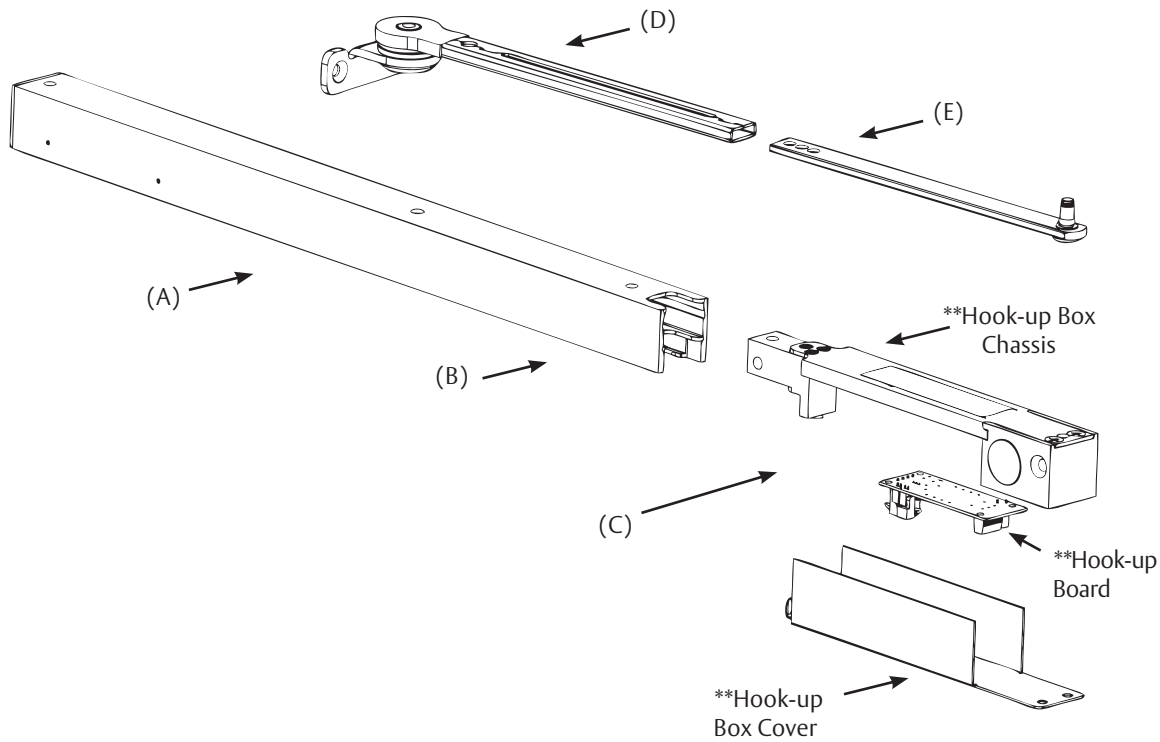
689 Sprayed Alum
690 Sprayed Dk Brz
691 Sprayed Lt Bron
696 Sprayed Brass
BSP Black Suede Powder
WSP White Suede Powder

Product Comparison Chart

	99-726	99-926
Pull Side Mounting		•
Push Side Mounting	•	
Single Acting	•	•
Non-Handed	•	•
Maximum Door Width	32" - 48"	32" - 48"
Hold Open Range	85°-110°	85°-110°

RIXSON®
ASSA ABLOY

Experience a safer
and more open world



- (A) Slider Assembly (not visible)
20-0099-0337-500
- (B) Channel (for 99-726)
20-0099-0608-* (24V)
- (B) Channel (for 99-926)
20-0099-0609-* (24V)
- (C) Hook-up Box Assembly (for 99-726)
20-0099-0604-* (24V)
20-0099-0605-* (120V)
- (C) Hook-up Box Assembly (for 99-926)
20-0099-0600-* (24V)
20-0099-0601-* (120V)
- (D) Arm Bracket & Tube
20-0099-0516-*
- (E) Adjusting Rod
20-0099-0343-*

SCREW KIT
20-0040-0534-*

*specify finish

** Not sold separately. Part of hook-up box assembly



Experience a safer
and more open world

The ASSA ABLOY Group is the global leader in access solutions. Every day, we help billions of people experience a more open world.

ASSA ABLOY Opening Solutions leads the development within door openings and products for access solutions in homes, businesses and institutions. Our offering includes doors, frames, door and window hardware, locks, perimeter fencing, access control and service.

RIXSON[®]
ASSA ABLOY

CONTACT US AT:

Rixson[®]
3000 Highway 74 East
Monroe, NC 28112
Tel: 800-457-5670
Fax: 800-221-0489

ASSA ABLOY Door Security Solutions Canada
160 Four Valley Drive
Vaughan, Ontario, L4K 4T9 Canada
Tel: 800-461-3007
Fax: 800-461-8989

For a complete listing of products and applications please visit our web site.
www.rixson.com
www.assaabloydss.ca