

OVERHEAD CONCEALED CLOSERS

ARCHITECTURAL GRADE/DOUBLE ACTING CENTER HUNG

MODEL 800

Application

- Double Acting, Non-handed
- Exterior or Interior Doors
- Low to Moderate Traffic
- Weight to 200 lbs.



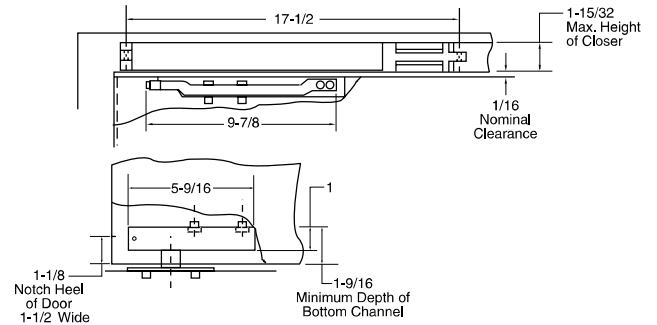
ANSI/C05052/C05062



Product Description & Features

- Available in non-hold open (N) or automatic hold open (A). Specify 90 or 105°, A or N
- Product should always be used with an auxiliary floor or wall stop
- 1-3/4" doors
- Adjustable closing speed
- 1/2" longer than standard closer spindle is available and must be ordered as part of the closer. It cannot be added later
- Includes 2183020 bottom pivot
- Optional end cap 199 for top and bottom of wood door

Technical Information



Models

- 800 should be used on aluminum doors and frames. Package includes closer body, arm and frame mounting clips 1639000 and bottom pivot 2183020. Frame size 1-3/4" x 4".
- M800 should be used on metal doors and frames. Package includes closer body, arm, cover plate, frame mounting channel 1929000* and bottom pivot 2183020. Frame size 2" x 5-1/2".
- MW800 should be used on wood doors and metal frames. Package includes closer body, arm, cover plate, frame mounting channel 1929000* and bottom pivot 2183020. Frame size 2" x 5-1/2".
- W800 should be used on wood doors and frames. Package includes closer body, arm, cover plate, frame mounting channel 1980910, and bottom pivot 2183020. Frame size 2" x 5-1/2".

Closer shown with cover, furnished with W, M, MW models

*Note that mounting channels must be welded into frames prior to shipment to job site.

Specify size when ordering

Sized Springs

806, M806, MW806, W806	807, M807, MW807, W807	808, M808, MW808, W808
Exterior 2'6" x 8'0" (762 x 2438mm)	Exterior 3'0" x 8'0" (914 x 2438mm)	Exterior 3'6" x 8'0" (1067 x 2438mm)
Interior 3'0" x 8'0" (914 x 2438mm)	Interior 3'3" x 8'0" (991 x 2438mm)	Interior 3'8" x 8'0" (1118 x 2438mm)