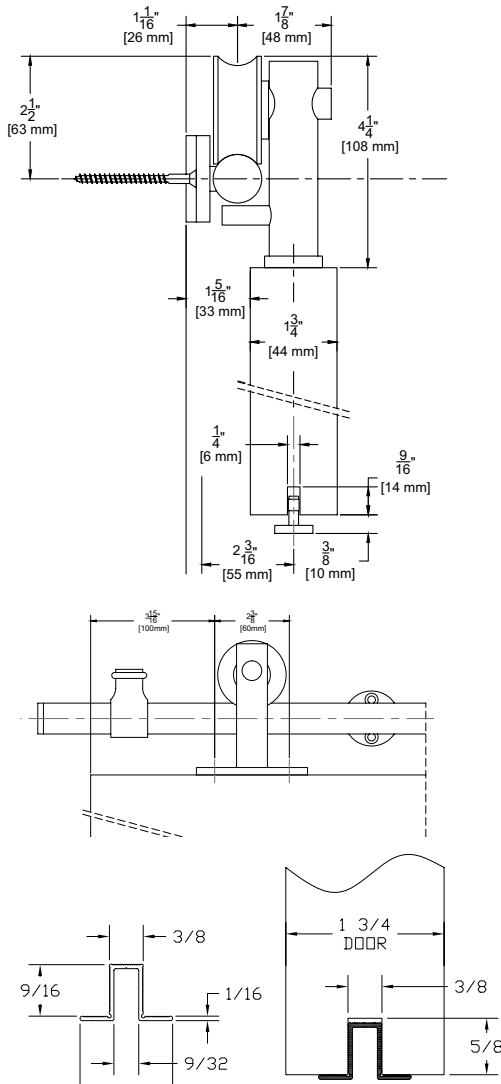


# Stainless Steel Sliding Track Hardware System

## W80 Series for Wood Doors

For Sliding Panels up to 176 lbs.



NOTE: Alternate route dimension when using optional EPD3BL

### Configurations:

- Single
- Bi-parting

### Installations:

- Side Wall Mount (only)

### Features:

- Made of 304 stainless steel
- Nylon coated stainless steel wheel for smooth operation
- 176 lb. panel capacity
- 5 year warranty

### Finishes:

- Brushed Stainless Steel (W80)
- Black Powder Coated Stainless Steel (W80D)
- Polished Stainless Steel (W80P)
- Satin Bronze Powder Coated Stainless Steel (W80BE)

### W80 Kits Include:

- 1 ea **BAR/\_** Stainless Steel Track
- **BRACKET2** Stainless Steel Wall Brackets
- 2 ea **82** Stainless Steel Hangers
- 1 ea **102SS-KIT** Stainless Steel Guide
- 2 ea **STOP2** Stainless Steel Stops Mounting Hardware

NOTE: If ordering individual parts in the optional Black Powder Coat, Polished finishes or Satin Bronze be sure to include a prefix "D" for Black Powder Coat, "P" for Polished Stainless, or BE for Satin Bronze Powder Coat

### Standard Kit Sizes

Part Number	Material	Track Length	Door Width
W80/6	304 Stainless Steel	78 <sup>3</sup> / <sub>4</sub> "	36"
W80/8	304 Stainless Steel	98 <sup>7</sup> / <sub>16</sub> "	48"
W80D/6	Black Powder Coated Stainless Steel	78 <sup>3</sup> / <sub>4</sub> "	36"
W80D/8	Black Powder Coated Stainless Steel	98 <sup>7</sup> / <sub>16</sub> "	48"
W80P/6	304 Polished Stainless Steel	78 <sup>3</sup> / <sub>4</sub> "	36"
W80P/8	304 Polished Stainless Steel	98 <sup>7</sup> / <sub>16</sub> "	48"
W80BE/6	Satin Bronze Powder Coated Stainless Steel	78 <sup>3</sup> / <sub>4</sub> "	36"
W80BE/8	Satin Bronze Powder Coated Stainless Steel	98 <sup>7</sup> / <sub>16</sub> "	48"

Options: See page 49

- Bottom Channel **94A**
- Roller Guide **106R/94**
- Mortise Guides **102N**
- Polypropylene Guide Rail **EPD3BL** For Use With 102N
- 5/8" Spacer **BLD-SPACER-58** Pack of 5 5/8" Spacer  
Recommended for use with 5/8" Gypsum Board  
When Mounting Track Directly to Gypsum Board
- 1/2" Spacer **BLD-SPACER-12** Pack of 5 1/2" Spacer  
Recommended for use with 1/2" Gypsum Board  
When Mounting Track Directly to Gypsum Board
- 3/8" Spacer **BLD-SPACER-38** Pack of 5 3/8" Spacer  
Recommended for use with 3/8" Gypsum Board  
When Mounting Track Directly to Gypsum Board

**ASSA ABLOY**

The global leader in door opening solutions

800-824-3018 | www.pemko.com

Check the web site for the up-to-date catalog

Copyright © 2015-2017, Pemko Manufacturing Co., an ASSA ABLOY Group company. All rights reserved. Reproduction in whole or in part without the express written permission of Pemko Manufacturing Co. is prohibited.