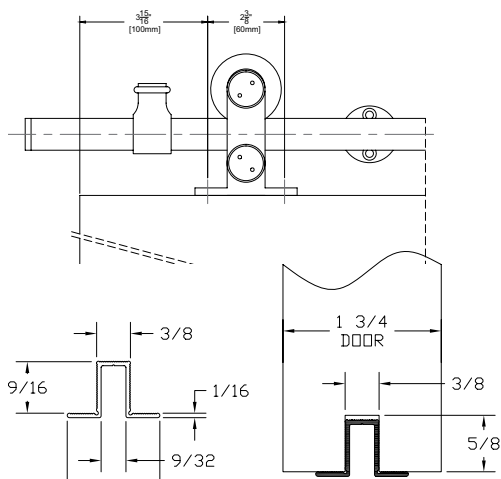
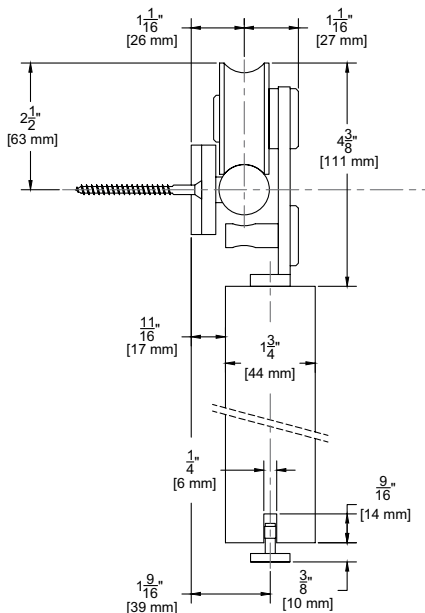


Stainless Steel Sliding Track Hardware System

W60 Series for Wood Doors

For Sliding Panels up to 176 lbs.



NOTE: Alternate route dimension when using optional EPD3BL

Configurations:

- Single
- Bi-parting

Installations:

- Side Wall Mount (only)

Features:

- Made of 304 stainless steel
- Nylon coated stainless steel wheel for smooth operation
- 176 lb. panel capacity
- 5 year warranty

Finishes:

- Brushed Stainless Steel (W60)
- Black Powder Coated Stainless Steel (W60D)
- Polished Stainless Steel (W60P)
- 10BE Satin Bronze Powder Coated Stainless Steel (W60BE)

W60 Kits Include:

- 1 ea **BAR/_** Stainless Steel Track
- **BRACKET2** Stainless Steel Wall Brackets
- 2 ea **62** Stainless Steel Hangers
- 1 ea **WOODGUIDE** Stainless Steel Guide
- 2 ea **STOP2** Stainless Steel Stops Mounting Hardware

NOTE: If ordering individual parts in the optional Black Powder Coat, Polished finishes or Satin Bronze be sure to include a prefix "D" for Black Powder Coat, "P" for Polished Stainless, or BE for Satin Bronze Powder Coat

Standard Kit Sizes			
Part Number	Material	Track Length	Door Width
W60/6	304 Stainless Steel	78 ³ / ₄ "	36"
W60/8	304 Stainless Steel	98 ⁷ / ₁₆ "	48"
W60D/6	Black Powder Coated Stainless Steel	78 ³ / ₄ "	36"
W60D/8	Black Powder Coated Stainless Steel	98 ⁷ / ₁₆ "	48"
W60P/6	304 Polished Stainless Steel	78 ³ / ₄ "	36"
W60P/8	304 Polished Stainless Steel	98 ⁷ / ₁₆ "	48"
W60BE/6	Satin Bronze Powder Coated Stainless Steel	78 ³ / ₄ "	36"
W60BE/8	Satin Bronze Powder Coated Stainless Steel	98 ⁷ / ₁₆ "	48"

Options: See page 49

Bottom Channel

94A

Roller Guide

106R/94

Mortise Guides

102N

Polypropylene Guide Rail

EPD3BL For Use With 102N

5/8" Spacer

BLD-SPACER-58 Pack of 5 5/8" Spacer
Recommended for use with 5/8" Gypsum Board
When Mounting Track Directly to Gypsum Board

1/2" Spacer

BLD-SPACER-12 Pack of 5 1/2" Spacer
Recommended for use with 1/2" Gypsum Board
When Mounting Track Directly to Gypsum Board

3/8" Spacer

BLD-SPACER-38 Pack of 5 3/8" Spacer
Recommended for use with 3/8" Gypsum Board
When Mounting Track Directly to Gypsum Board

800-824-3018 | www.pemko.com

Check the web site for the up-to-date catalog

Copyright © 2015-2017, Pemko Manufacturing Co., an ASSA ABLOY Group company. All rights reserved.
Reproduction in whole or in part without the express written permission of Pemko Manufacturing Co. is prohibited.

ASSA ABLOY

The global leader in
door opening solutions