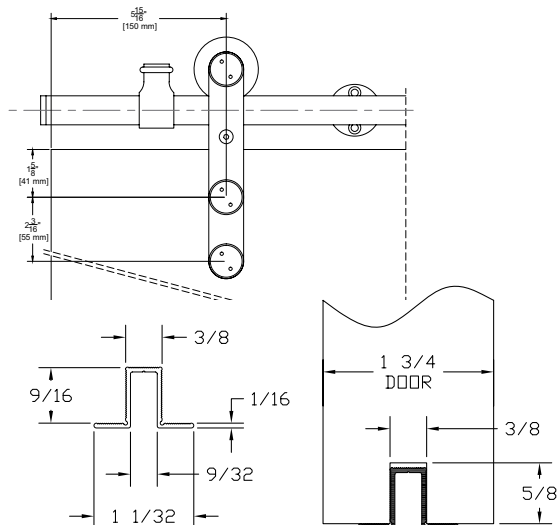
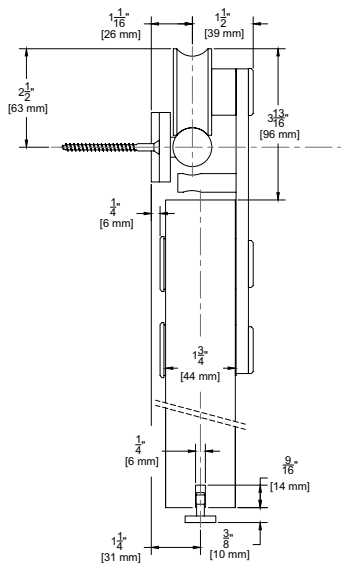


Stainless Steel Sliding Track Hardware System

W100 Series for Wood Doors

For Sliding Panels up to 198 lbs.



NOTE: Alternate route dimension when using optional EPD3BL

Configurations:

- Single
- Bi-parting

Features:

- Made of 304 stainless steel
- Nylon coated stainless steel wheel for smooth operation
- 198 lb. panel capacity
- 5 year warranty

Finishes:

- Brushed Stainless Steel (W100)
- Black Powder Coated Stainless Steel (W100D)
- Polished Stainless Steel (W100P)
- Satin Bronze Powder Coated Stainless Steel (W100BE)

W80 Kits Include:

- 1 ea **BAR/_** Stainless Steel Track
- **BRACKET2** Stainless Steel Wall Brackets
- 2 ea **111** Stainless Steel Hangers
- 1 ea **102SS-KIT** Stainless Steel Guide
- 2 ea **STOP2** Stainless Steel Stops Mounting Hardware

NOTE: If ordering individual parts in the optional Black Powder Coat, Polished finishes or Satin Bronze be sure to include a prefix "D" for Black Powder Coat, "P" for Polished Stainless, or BE for Satin Bronze Powder Coat

Standard Kit Sizes			
Part Number	Material	Track Length	Door Width
W100/6	304 Stainless Steel	78 3/4"	36"
W100/8	304 Stainless Steel	98 7/16"	48"
W100D/6	Black Powder Coated Stainless Steel	78 3/4"	36"
W100D/8	Black Powder Coated Stainless Steel	98 7/16"	48"
W100P/6	304 Polished Stainless Steel	78 3/4"	36"
W100P/8	304 Polished Stainless Steel	98 7/16"	48"
W100BE/6	Satin Bronze Powder Coated Stainless Steel	78 3/4"	36"
W100BE/8	Satin Bronze Powder Coated Stainless Steel	98 7/16"	48"

Options: See page 49

- Bottom Channel **94A**
- Roller Guide **106R/94**
- Mortise Guides **102N**
- Polypropylene Guide Rail **EPD3BL** For Use With 102N
- 5/8" Spacer **BLD-SPACER-58** Pack of 5 5/8" Spacer Recommended for use with 5/8" Gypsum Board When Mounting Track Directly to Gypsum Board
- 1/2" Spacer **BLD-SPACER-12** Pack of 5 1/2" Spacer Recommended for use with 1/2" Gypsum Board When Mounting Track Directly to Gypsum Board
- 3/8" Spacer **BLD-SPACER-38** Pack of 5 3/8" Spacer Recommended for use with 3/8" Gypsum Board When Mounting Track Directly to Gypsum Board

ASSA ABLOY

The global leader in door opening solutions

800-824-3018 | www.pemko.com
Check the web site for the up-to-date catalog

Copyright © 2015-2017, Pemko Manufacturing Co., an ASSA ABLOY Group company. All rights reserved. Reproduction in whole or in part without the express written permission of Pemko Manufacturing Co. is prohibited.