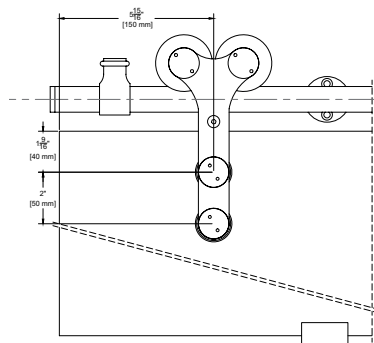
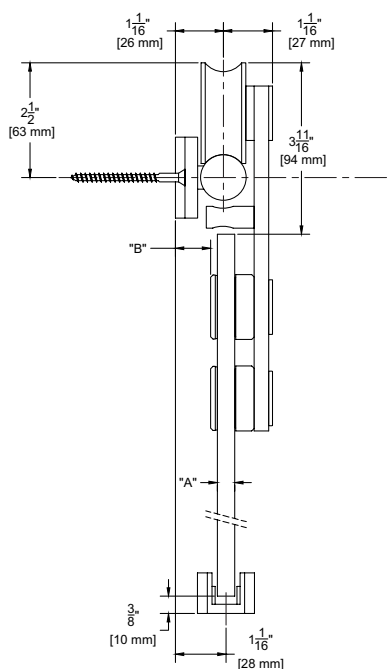


# Stainless Steel Sliding Track Hardware System

## G70 Series for Glass Doors



For Sliding Panels up to 240 lbs.



Glass Thickness "A"	Distance from Wall "B"
3/8"	3/4"
1/2"	5/8"

### Configurations:

- Single
- Bi-parting

### Installations:

- Side Wall Mount (only)

### Features:

- Made of 304 stainless steel
- Nylon coated stainless steel wheel for smooth operation
- 240 lb. panel capacity
- 5 year warranty

### Finishes:

- Brushed Stainless Steel (G70)
- Black Powder Coated Stainless Steel (G70D)
- Polished Stainless Steel (G70P)
- 10BE Satin Bronze Powder Coated Stainless Steel (G70BE)

### G70 Kits Include:

- 1 ea **BAR/\_** Stainless Steel Track
- **BRACKET2** Stainless Steel Wall Brackets
- 2 ea **32** Stainless Steel Hangers
- 1 ea **GLASSGUIDE** Stainless Steel Guide
- 2 ea **STOP2** Stainless Steel Stops Mounting Hardware

NOTE: If ordering individual parts in the optional Black Powder Coat, Polished finishes or Satin Bronze be sure to include a prefix "D" for Black Powder Coat, "P" for Polished Stainless, or "BE" for Satin Bronze Powder Coat

Standard Kit Sizes			
Part Number	Material	Track Length	Door Width
G70/6	304 Stainless Steel	78 <sup>3</sup> / <sub>4</sub> "	36"
G70/8	304 Stainless Steel	98 <sup>7</sup> / <sub>16</sub> "	48"
G70D/6	Black Powder Coated Stainless Steel	78 <sup>3</sup> / <sub>4</sub> "	36"
G70D/8	Black Powder Coated Stainless Steel	98 <sup>7</sup> / <sub>16</sub> "	48"
G70P/6	304 Polished Stainless Steel	78 <sup>3</sup> / <sub>4</sub> "	36"
G70P/8	304 Polished Stainless Steel	98 <sup>7</sup> / <sub>16</sub> "	48"
G70BE/6	Satin Bronze Powder Coated Stainless Steel	78 <sup>3</sup> / <sub>4</sub> "	36"
G70BE/8	Satin Bronze Powder Coated Stainless Steel	98 <sup>7</sup> / <sub>16</sub> "	48"

### Options: See page 49

#### Alternate Stop

5/8" Spacer

1/2" Spacer

3/8" Spacer

#### STOP1

**BLD-SPACER-58** Pack of 5 5/8" Spacer  
Recommended for use with 5/8" Gypsum Board When Mounting Track Directly to Gypsum Board

**BLD-SPACER-12** Pack of 5 1/2" Spacer  
Recommended for use with 1/2" Gypsum Board When Mounting Track Directly to Gypsum Board

**BLD-SPACER-38** Pack of 5 3/8" Spacer  
Recommended for use with 3/8" Gypsum Board When Mounting Track Directly to Gypsum Board