

# Architectural Door Accessories

# ASSA ABLOY

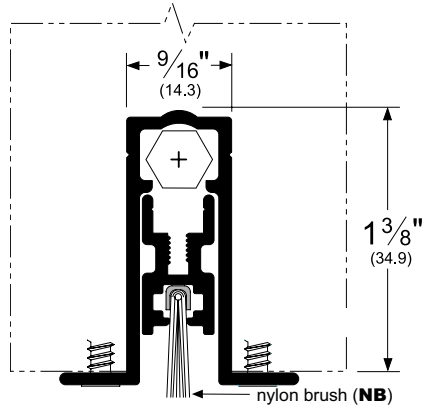
## Pemko Door Bottoms: Automatic Door Bottoms

The global leader in  
door opening solutions

### 411ANBL



AVAILABLE FINISHES: A  
WIDTH: 9/16" (14.3 mm)  
HEIGHT: 1-3/8" (34.9 mm)



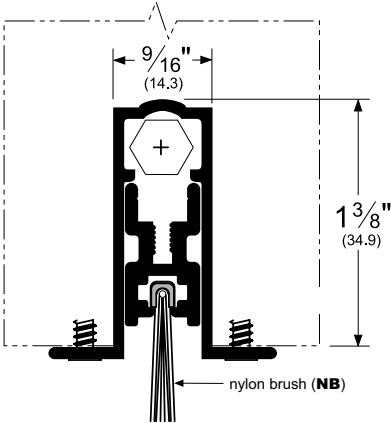
A (Mill Finish Aluminum)

TITLE:
PREPARED FOR:
PREPARED BY:
DATE:
COMMENTS:

# Architectural Door Accessories

**ASSA ABLOY**

The global leader in  
door opening solutions



**411\_NBL**

# Architectural Door Accessories

**ASSA ABLOY**

## Pemko Automatic Door Bottom (ADB)

The global leader in door opening solutions

Applies to the following automatic door bottom:

### 411\_NBL

*Automatic, Non-Handed, Reversible*

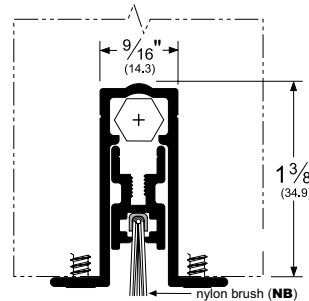
#### About Door Bottom Seals:

Pemko Door Bottom Seals consist of a variety of solutions for sealing a door to the threshold or floor surface.

#### About Automatic Door Bottoms:

Pemko automatic door bottoms consist of an aluminum case which surrounds a movable drop bar seal. The drop bar seal is actuated by a plunger which contacts the jamb as the door is closing, forcing the drop bar seal down against the floor or threshold.

- Low closing force.
- Provide excellent seals to keep out draft, dust, moisture, insects, fumes, light and sound.
- End plates provided for all mounting applications.
- Slotted holes for adjustment.

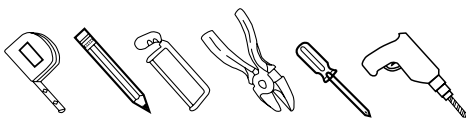


↑  
Seals  
Bottom  
of Door

#### *Product / Available Finishes:*

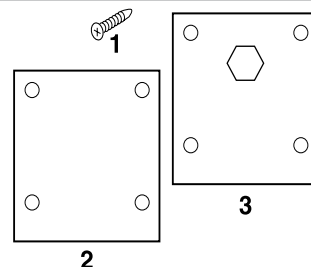
**411ANBL** Mill Finish Aluminum with Black Nylon Brush insert

#### *Tools Required:*



#### *Parts Included in End Cap Kit:*

NUMBER	DESCRIPTION	QUANTITY
1	Mounting Fasteners	17
2	End Plate	1
3	Plunger End Plate	1
4	Wood Jamb Screw	1



NOTE: End plate width is 1-5/8"

#### *Testing/Ratings:*

Gasketing material for fire doors intended for application to listed steel frames and/or classified steel covered composite type, and hollow metal type fire doors rated up to 3 hours; wood and plastic covered composite type fire doors rated up to 1-1/2 hours; and wood core type fire doors rated up to 20 minutes.

(Thresholds may or may not contain gasketing material).



**BHMA**  
CERTIFIED

CLASSIFIED  
UL US  
4L10

## Pemko Automatic Door Bottom (ADB)

The global leader in  
door opening solutions

### Installation Instructions:

1. Cut mortise in bottom of door.  
NOTE: If a door is fire labeled or of special construction, mortise preparation must be done under licensed service agreement or door manufacturer.
2. Remove brush prior to cutting.
3. Cut the ADB to 1/16" less than door width (without cutting gasketing insert).  
NOTE: Measure door width from center of bottom rail to compensate for possible bevel edges.  
NOTE: Make sure that the drop bar is flush with the case on the plunger side. Do not trim the gasket yet.  
**WARNING: ADB less than 24" CAN ONLY be cut down by 1/2".**  
**WARNING: ADB 26" and over should NOT be cut down more than 2".**  
**WARNING: ADB should ONLY be cut from non-plunger side.**
4. Trim off excess brush using Lineman Side Cutting Pliers (ensures both cut and crimp so the brush will not fray).
5. Re-insert the brush so that it is flush or up to 1/16" shorter then the end of the drop bar and case.
6. With door removed from opening, install the door bottom with plunger at the hinge side.  
NOTE: The underside edge of ADB should be flush with bottom of door.
7. Fasten with screws provided.
8. Install door in opening.
9. On wooden jambs, install the No. 10 x 1/2" flat head screw at the point where the plunger contacts the jamb to prevent indenting.
10. Screw the actuating plunger in or out as required until the gasketing just touches the sealing surface when the door is closed.  
NOTE: Adjustment range is 1/8" min - 3/4" max  
NOTE: Start with the plunger screwed in completely to avoid over adjustment or damage.  
**WARNING: Do not over adjust the plunger. It is only necessary to lightly compress the insert gaskets against the sealing surface to provide proper sealing. Over adjustment can cause internal component failure voiding the warranty!**  
**WARNING: Do NOT use power tools to adjust the ADB!**

### End Plate Installation Instructions:

**PLEASE READ THESE INSTRUCTIONS THOROUGHLY BEFORE ATTEMPTING TO INSTALL END PLATES.**

1. The automatic door bottom must be correctly installed and adjusted in accordance with the installation instructions furnished with this product (see above).
2. Make sure that the drop bar (part that contains the seal) does not project beyond the end of the case when the actuation plunger is depressed. If it does project beyond the case, it was improperly trimmed in the field. This condition can be corrected by removing the unit and trimming the excess.
3. Install the flat end plate on the lock edge of the door so that it is flush with the bottom edge of the door. Use the fasteners provided, and in the location shown (Figure 1). Fasteners will screw directly into door.  
NOTE: The end plates should NEVER extend below the bottom of door as this will create a sharp edge.
4. Install the end plate with the hexagonal hole on the plunger side with screws provided. The plunger should extend through the hexagonal hole so that it is allowed to strike the jamb for proper function.

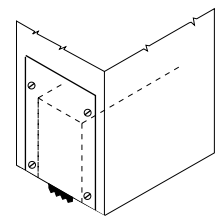


Figure 1