



ASSA ABLOY

DOOR BOTTOMS: DOOR SHOES

216_V

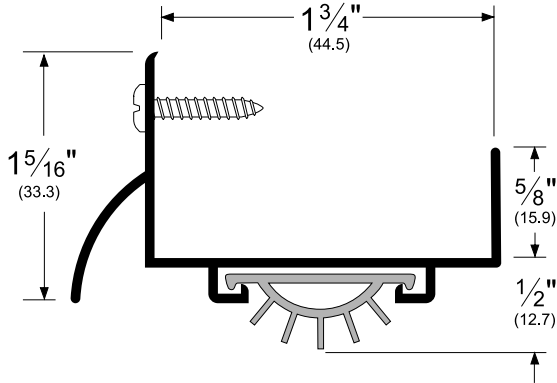


AVAILABLE FINISHES: A, B, BDG, D, G, PW, SN

WIDTH: 1-3/4" (44.5 mm)

PROFILE HEIGHT 1: 1-5/16" (33.3 mm) PROFILE HEIGHT 2: 5/8" (15.9 mm)

TOTAL HEIGHT WITH INSERT: Approx. 1-9/16" (39.7 mm)



- A (Mill Finish Aluminum)
- B (Mill Finish Extruded Bronze [Brass])
- BDG (Bright Dip Gold Anodized Aluminum)
- D (Dark Bronze Anodized Aluminum)
- G (Gold Anodized Aluminum)
- PW (Painted White Aluminum)
- SN (Satin Nickel Anodized Aluminum)

TITLE:
PREPARED FOR:
PREPARED BY:
DATE:
COMMENTS:

Copyright © 2008 Pemko Manufacturing Co. All rights reserved.
Reproduction in whole or in part without the express written
permission of Pemko Manufacturing Co. is prohibited.

216_V_CUT Rev 1 - 05.14.08