

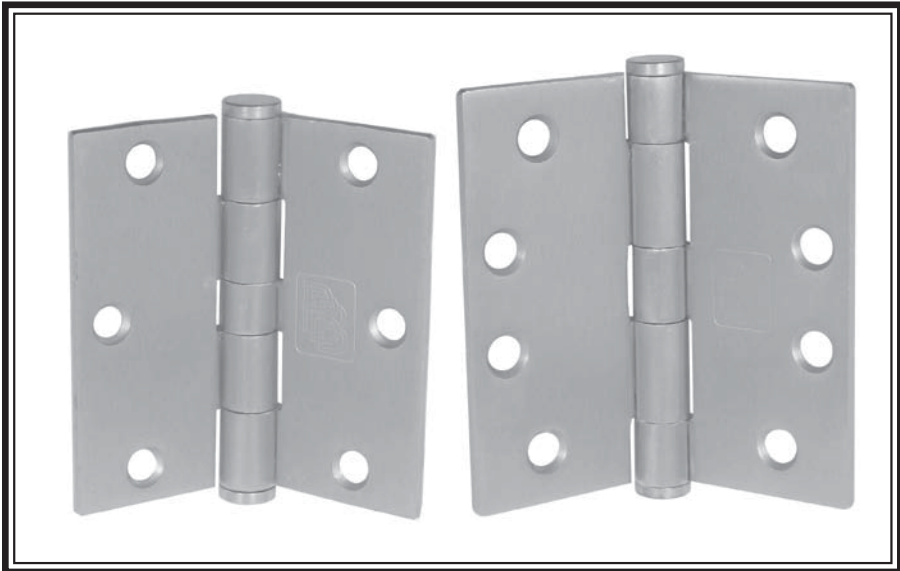


**FULL MORTISE TEMPLATE PLAIN BEARING**

**STANDARD WEIGHT**

**3" x 3"    3 1/2" x 3 1/2"    4" x 4"**

**B3**



**PB81 (ANSI A8133)**  
**Steel**-Polished and Plated or Bonderized and Prime Coated for Painting.

**PB21 (ANSI A2133)**  
**Brass**-Polished and Plated

**PB51 (ANSI A5133)**  
**Stainless Steel**-Polished and Satin Finish

- For use on medium weight doors or doors requiring low frequency service.
- Not for use with door closers.
- For hospital type, add HT to suffix of part number.
- 3", 3-1/2", 4" available in square, 5/8" and 1/4" Radius Round Corners.
- All hinges are ANSI template.

**GENERAL PRODUCT INFORMATION:** PBB, Inc. template hinges are manufactured to close tolerances and meet all specifications and requirements set by the American National Standards Institute (ANSI).

**HINGE SWAGING:** A standard swaging of our standard weight full mortise hinge when closed to parallel position provides a 1/16" clearance between leaves.

**MATERIAL GAUGE:**  
 .092 ± .005 for 3" x 3"  
 .123 ± .005 for 3-1/2" x 3-1/2"  
 .130 ± .005 for 4 1/2"

**OTHER SPECIFICATIONS:**

Height of hinge:    + .000  
                               3.00 - .015    for 3" x 3"  
                               + .000  
                               3.50 - .015    for 3-1/2" x 3-1/2"  
                               + .000  
                               4.00 - .015    for 4" x 4"  
 Width:                3.00 ± .015 for 3" x 3"  
                               3.50 ± .015 for 3-1/2" x 3-1/2"  
                               4.00 ± .015 for 4" x 4"

Template screw hole locations for all 3-1/2 x 3-1/2 Full Mortise Template butts are punched to Commercial Standard CS9-65.

<b>3", 3-1/2" STANDARD SCREW SIZE</b>
FHMS - 10-24 x 1/2" FHWS - 10 x 1"

<b>4" STANDARD SCREW SIZE</b>
FHMS - 12-24 x 1/2" FHWS - 12 x 1-1/4"

**PACKAGING INFORMATION:**

One hinge per plastic bag, 3 hinges and 1 screw pack per unit carton.  
 16 unit cartons or 48 hinges per master shipping carton.  
 1 screw pack includes all machine screws (24), and 1/2 wood screws (12). ATMS & AWS also available.  
 For 3-1/2 x 3-1/2, 1 screw pack includes (18) machine screws and (18) wood screws.

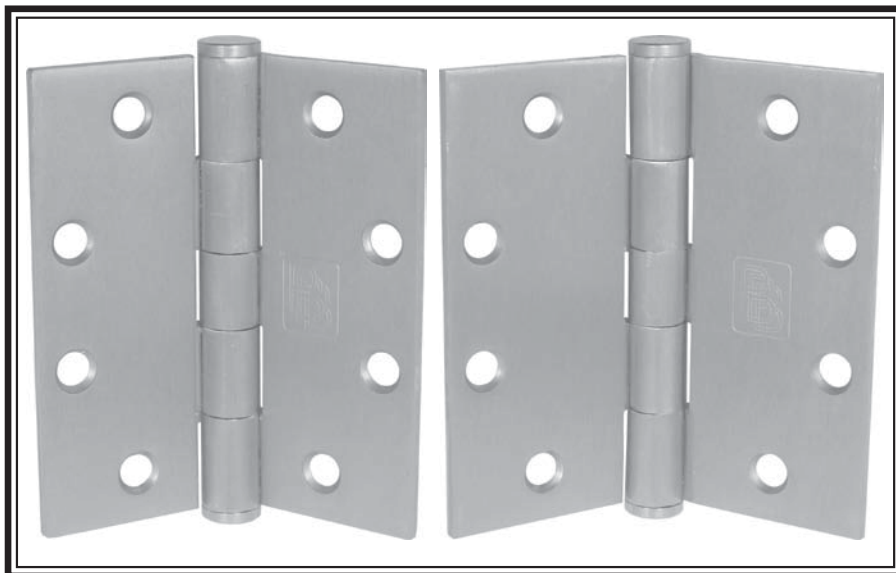
\*Non-template



**FULL MORTISE TEMPLATE PLAIN BEARING**

**STANDARD WEIGHT**  
**4 1/2" x 4" 4 1/2" x 4 1/2"**

**B4**



**PB81 (ANSI A8133)**  
**Steel**-Polished and Plated or Bonderized and Prime Coated for Painting.

**PB21 (ANSI A2133)**  
**Brass**-Polished and Plated

**PB51 (ANSI A5133)**  
**Stainless Steel**-Polished and Satin Finish

- For use on medium weight doors or doors requiring low frequency service.
- Not for use with door closer.
- For hospital type, add HT to suffix of part number.
- All hinges are ANSI template.

**GENERAL PRODUCT INFORMATION:** PBB, Inc. template hinges are manufactured to close tolerances and meet all specifications and requirements set by the American National Standards Institute (ANSI).

**HINGE SWAGING:** A standard swaging of our standard weight full mortise hinge when closed to parallel position provides a 1/16" clearance between leaves.

**OTHER SPECIFICATIONS:**

Height of hinge:	4.50 + .000	for 4-1/2" x 4"
	4.50 - .015	
	4.50 + .000	for 4-1/2" x 4-1/2"
	4.50 - .015	
Width:	4.00 ± .015	for 4-1/2" x 4"
	4.50 ± .015	for 4-1/2" x 4-1/2"

**MATERIAL GAUGE:**

- .134 ± .005 for 4-1/2" x 4"
- .134 ± .005 for 4-1/2" x 4-1/2"

4-1/2" STANDARD SCREW SIZE
FHMS - 12-24 x 1/2"
FHWS - 12 x 1-1/4"

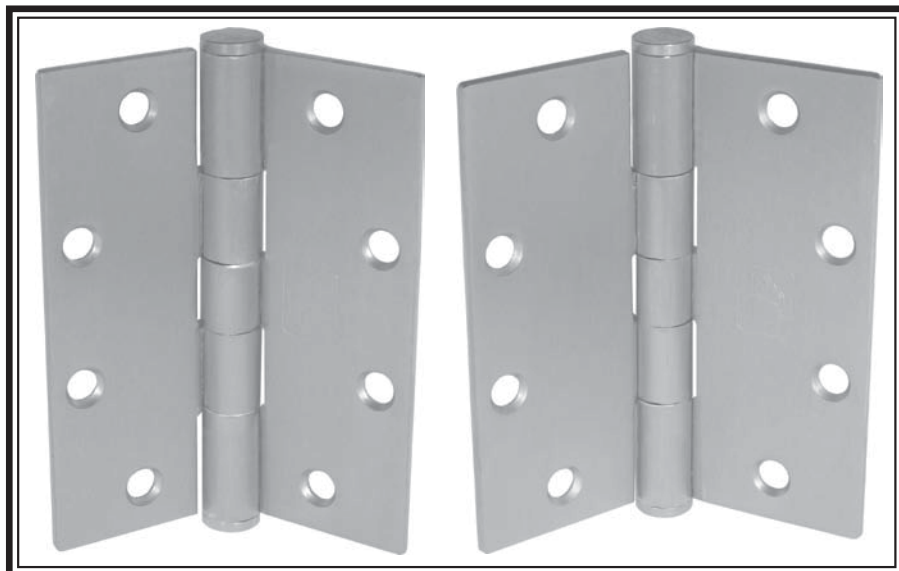
**PACKAGING INFORMATION:**

One hinge per plastic bag, 3 hinges and 1 screw pack per unit carton.  
16 unit carton or 48 hinges per master shipping carton.  
1 screw pack includes all machine screws (24), and 1/2 wood screws (12). ATMS & AWS also available.



**FULL MORTISE TEMPLATE PLAIN BEARING**

**STANDARD WEIGHT**  
5" x 4" 5" x 4 1/2" 5" x 5" **B5**



**PB81 (ANSI A8133)**  
Steel-Polished and Plated or Bonderized and Prime Coated for Painting.

**PB21 (ANSI A2133)**  
Brass-Polished and Plated

**PB51 (ANSI A5133)**  
Stainless Steel-Polished and Satin Finish

- For use on medium weight doors or doors requiring low frequency service.
- Not for use with door closers.
- For hospital type, add HT to suffix of part number.
- All hinges are ANSI template.

**GENERAL PRODUCT INFORMATION:** PBB, Inc. template hinges are manufactured to close tolerances and meet all specifications and requirements set by the American National Standards Institute (ANSI).

**HINGE SWAGING:** A standard swaging of our standard weight full mortise hinge when closed to parallel position provides a 1/16" clearance between leaves.

**OTHER SPECIFICATIONS:**

Height of hinge:	5.00 + .000 - .015	for 5" x 4"
	5.00 + .000 - .015	for 5" x 4-1/2"
	5.00 + .000 - .015	for 5" x 5"
Width:	4.00 ± .015	for 5" x 4"
	4.50 ± .015	for 5" x 4-1/2"
	5.00 ± .015	for 5" x 5"

**MATERIAL GAUGE:**

- .146 ± .005 for 5" x 4"
- .146 ± .005 for 5" x 4-1/2"
- .146 ± .005 for 5" x 5"

5" STANDARD SCREW SIZE
FHMS - 12-24 x 1/2"
FHWS - 12 x 1-1/4"

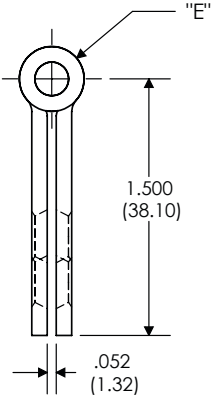
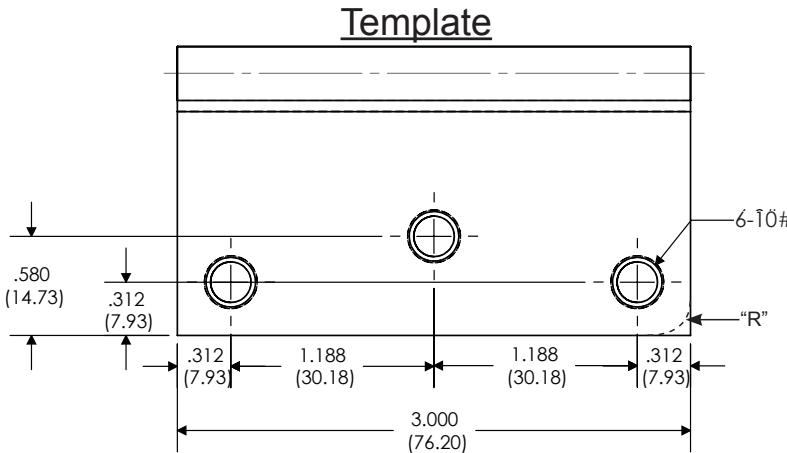
**PACKAGING INFORMATION:**

One hinge per plastic bag, 3 hinges and 1 screw pack per unit carton.  
12 unit carton or 36 hinges per master shipping carton.  
1 screw pack includes all machine screws (24), and 1/2 wood screws (12). ATMS & AWS also available.



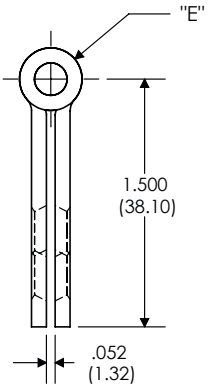
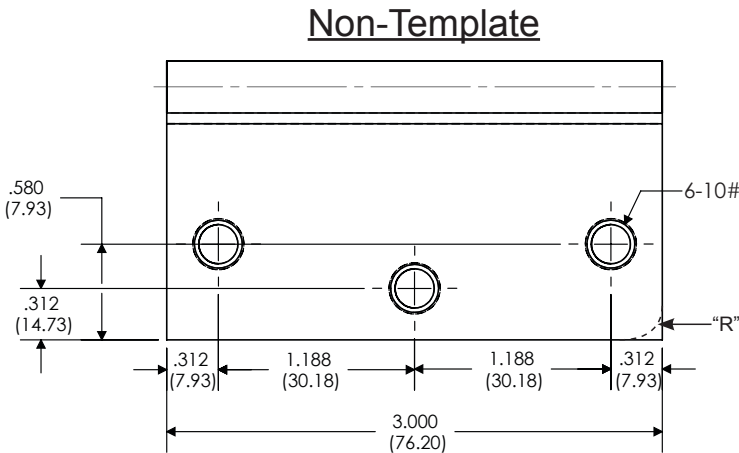
FULL MORTISE PLAIN BEARING

PB  
3" x 3"



L4

PBY  
3" x 3"



Part Number			Gauge of Metal	"E" Outside Dia.	"R" Corner Radius
Steel	Brass	Stainless			
PB81/PBY81	PB21/PBY21	PB51/PBY51	.092"	.418"	1/4", 5/8", Square

**NOTE:**  
 •2 hinges and 1 screw pack per unit carton.  
 •Bulk pack 100 pcs. per carton.  
 •Screw size: PHWS - 10 x 3/4"  
 •All hinges are ANSI template.

PBB, Inc.  
 World Class Hinges  
 1311 E. Philadelphia Street • Ontario • CA 91761 • USA  
 PBB reserves the right to make changes without notice.

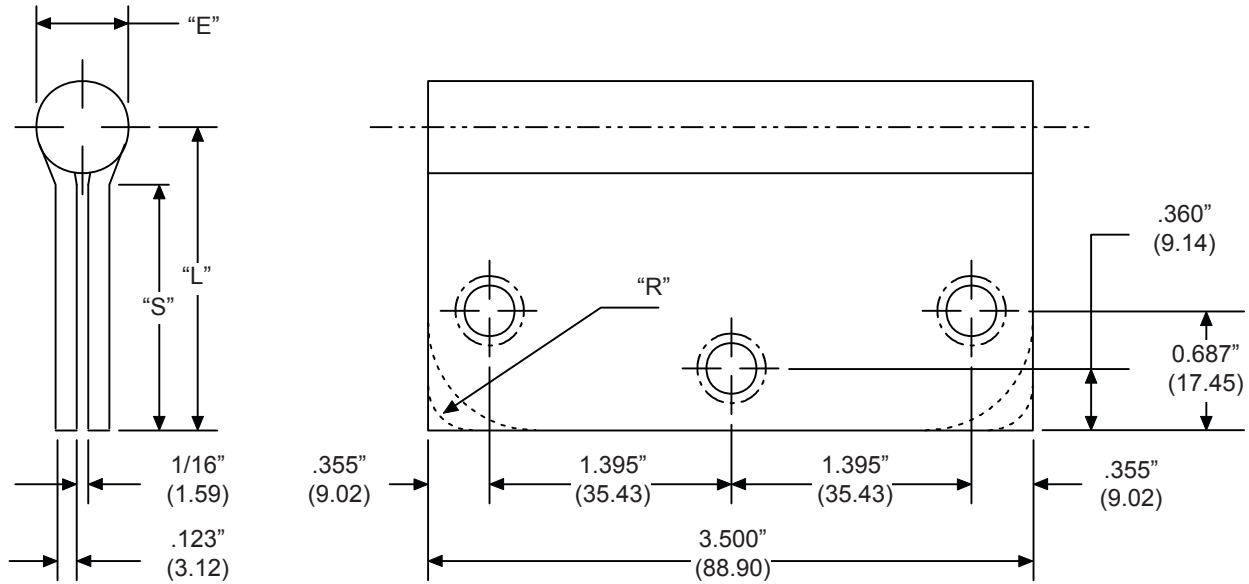
Template: PB30/PBY30



**FULL MORTISE STANDARD WEIGHT TEMPLATE**

**BB - PB - CB - CP - FB**

**3-1/2" X 3-1/2"**



L5

Part Number			Gauge of Metal	"E" Outside Dia.	"L" Leaf Width	"S" Swage Line	"R" Corner Radius
Steel	Brass	Stainless					
BB81/CB81	BB21/CB21	BB51/CB51	.123"	.535"	1.75"	1.42"	Square, 1/4", 5/8"
PB81/CP81	PB21/CP21	PB51/CP51	.123"	.535"	1.75"	1.42"	Square, 1/4", 5/8"

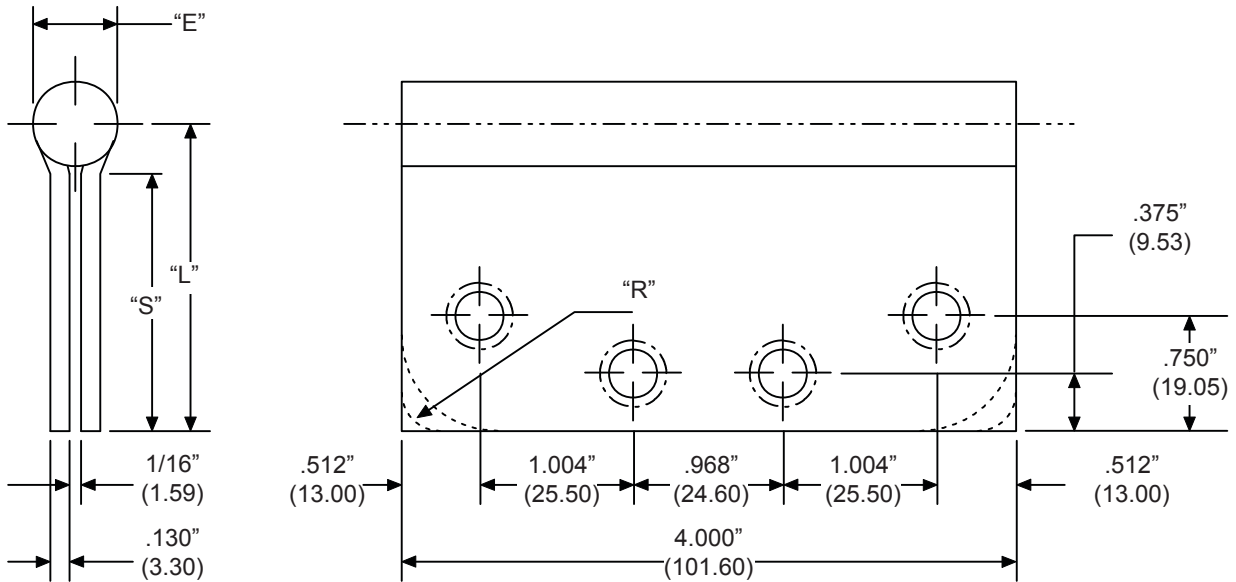
**NOTE:**

- 1 screw pack includes machine screws (18), and wood screws (18).
- Screw size: FHMS - 10-24 x 1/2"  
FHWS - 10 x 1"
- All hinges are ANSI template.



**FULL MORTISE STANDARD WEIGHT TEMPLATE**

**BB - PB - CB - CP - FB**  
**4" x 3", 4" x 4"**



**L6**

Part Number			Gauge of Metal	"E" Outside Dia.	"L" Leaf Width	"S" Swage Line	"R" Corner Radius
Steel	Brass	Stainless					
BB81/CB81	BB21/CB21	BB51/CB51	.130"	.550"	1.50"	1.17"	Square, 1/4", 5/8"
BB81/CB81	BB21/CB21	BB51/CB51	.130"	.550"	1.50"	1.17"	Square, 1/4", 5/8"
BB81/CB81	BB21/CB21	BB51/CB51	.130"	.550"	2.00"	1.67"	Square, 1/4", 5/8"
PB81/CP81	PB21/CP21	PB51/CP51	.130"	.550"	2.00"	1.67"	Square, 1/4", 5/8"

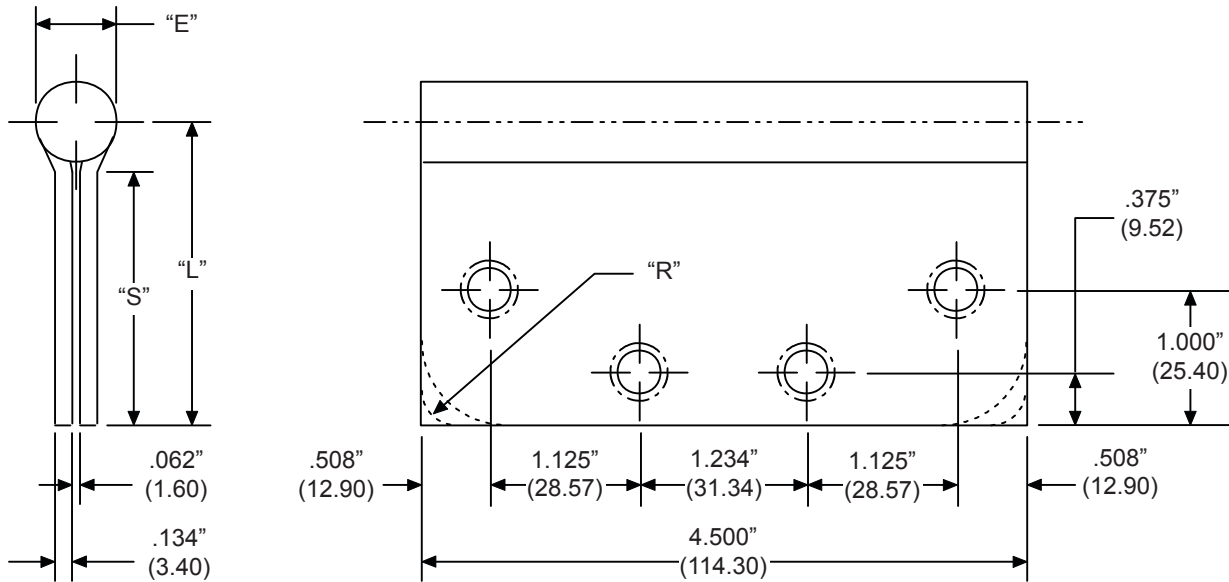
**NOTE:**

- 1 screw pack includes all machine screws (24), and 1/2 wood screws (12). ATMS & AWS also available.
- Screw size: FHMS - 12-24 x 1/2"  
FHWS - 12 x 1-1/4"
- All hinges are ANSI template.



**FULL MORTISE STANDARD WEIGHT TEMPLATE**

**BB - PB - CB - CP - FB**  
**4-1/2" x 4", 4-1/2" x 4-1/2"**



Part Number			Gauge of Metal	"E" Outside Dia.	"L" Leaf Width	"S" Swage Line	"R" Corner Radius
Steel	Brass	Stainless					
BB81*/CB81	BB21/CB21	BB51/CB51	.134"	.600"	2.00"	1.63"	Square, 1/4", 5/8"
PB81*/CP81	PB21/CP21	PB51/CP51	.134"	.600"	2.00"	1.63"	Square, 1/4", 5/8"
BB81*/CB81	BB21/CB21	BB51/CB51	.134"	.600"	2.25"	1.88"	Square, 1/4", 5/8"
PB81*/CP81	PB21/CP21	PB51/CP51	.134"	.600"	2.25"	1.88"	Square, 1/4", 5/8"

\*Also available as welding butts with identical dimensions and the exclusion of screw holes.

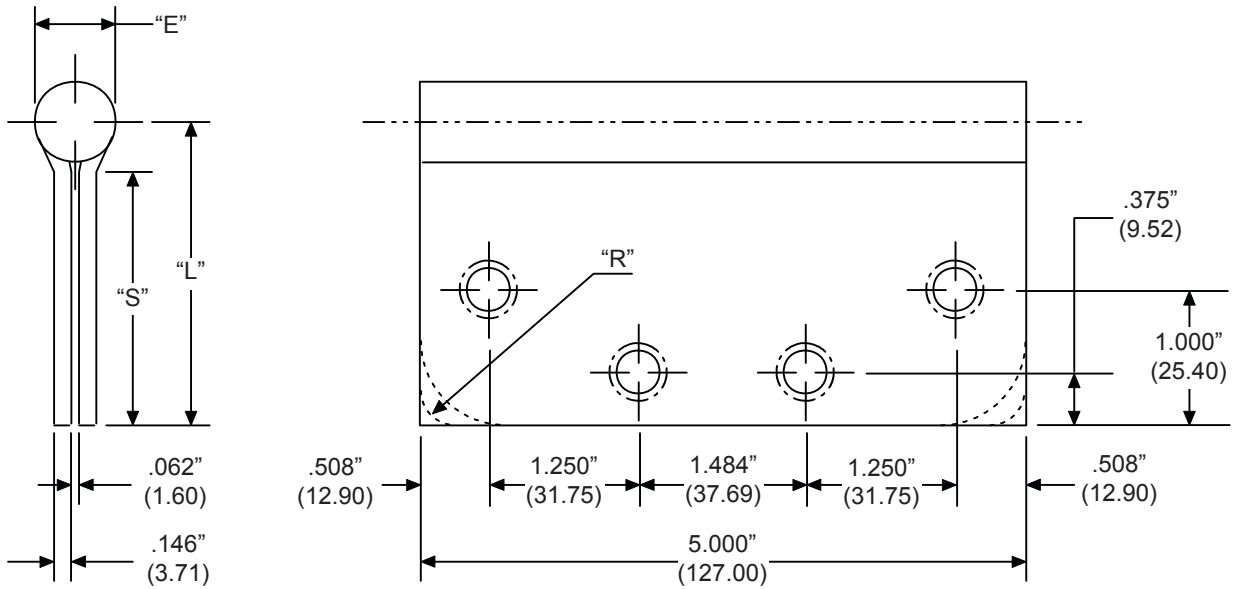
**NOTE:**

- 1 screw pack includes all machine screws (24), and 1/2 wood screws (12). ATMS & AWS also available.
- Screw size: FHMS - 12-24 x 1/2"  
FHWS - 12 x 1-1/4"
- All hinges are ANSI template.



**FULL MORTISE STANDARD WEIGHT TEMPLATE**

**BB - PB - CB - CP - FB**  
**5" x 4", 5" x 4-1/2", 5" x 5"**



**L8**

Part Number			Gauge of Metal	"E" Outside Dia.	"L" Leaf Width	"S" Swage Line	"R" Corner Radius
Steel	Brass	Stainless					
BB81*/CB81	BB21/CB21	BB51/CB51	.146"	.624"	2.00"	1.62"	Square, 1/4", 5/8"
BB81*/CB81	BB21/CB21	BB51/CB51	.146"	.624"	2.25"	1.87"	Square, 1/4", 5/8"
BB81*/CB81	BB21/CB21	BB51/CB51	.146"	.624"	2.50"	2.12"	Square, 1/4", 5/8"
PB81*/CP81	PB21/CP21	PB51/CP51	.146"	.624"	2.00"	1.62"	Square, 1/4", 5/8"
PB81*/CP81	PB21/CP21	PB51/CP51	.146"	.624"	2.25"	1.87"	Square, 1/4", 5/8"
PB81*/CP81	PB21/CP21	PB51/CP51	.146"	.624"	2.50"	2.12"	Square, 1/4", 5/8"

\*Also available as welding butts with identical dimensions and the exclusion of screw holes.

**NOTE:**

- 1 screw pack includes all machine screws (24), and 1/2 wood screws (12). ATMS & AWS also available.
- Screw size: FHMS - 12-24 x 1/2"  
FHWS - 12 x 1-1/4"
- All hinges are ANSI template.

PBB, Inc.  
 World Class Hinges  
 1311 E. Philadelphia Street • Ontario • CA 91761 • USA  
 PBB reserves the right to make changes without notice.

Template: BB50

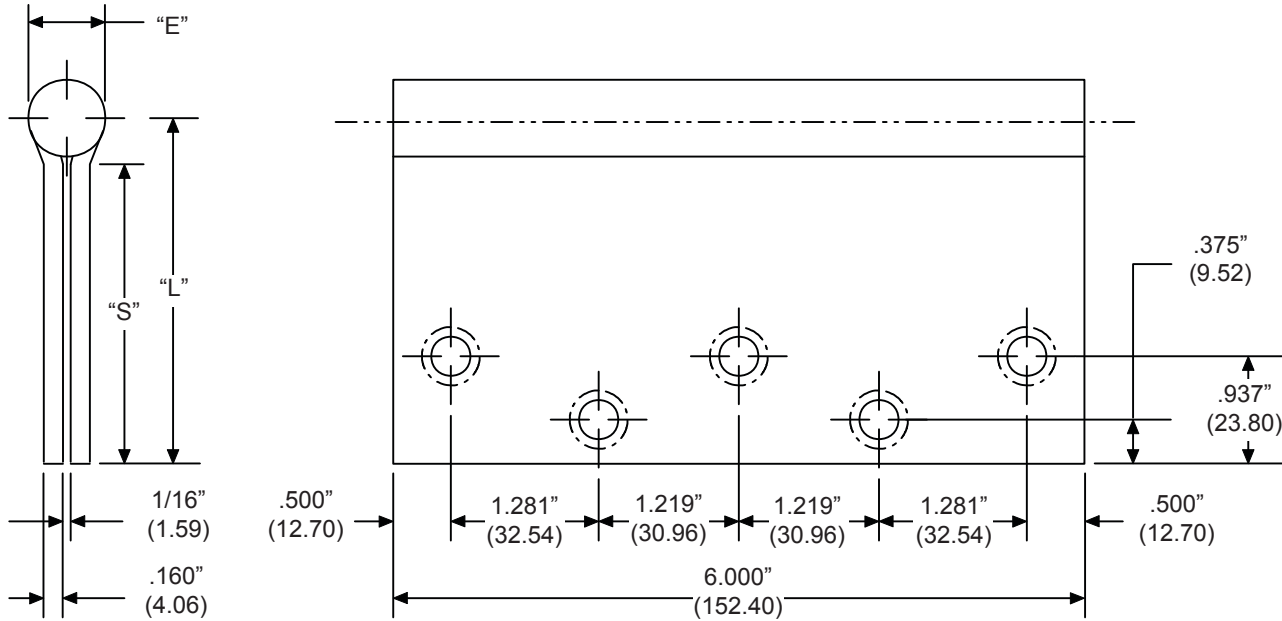




FULL MORTISE STANDARD WEIGHT TEMPLATE

BB - PB - FB

6" x 4-1/2", 6" x 5", 6" x 6"



Part Number			Gauge of Metal	"E" Outside Dia.	"L" Leaf Width	"S" Swage Line
Steel	Brass	Stainless				
BB81/PB81	BB21/PB21	BB51/PB51	.160"	.652"	2.25"	1.85"
BB81/PB81	BB21/PB21	BB51/PB51	.160"	.652"	2.50"	2.10"
BB81/PB81	BB21/PB21	BB51/PB51	.160"	.652"	3.00"	2.60"

**NOTE:**

- 1 screw pack includes all machine screws (30), and 1/2 wood screws (15). ATMS & AWS also available.
- Screw size: FHMS - 1/4-20 x 1/2"  
FHWS - 14 x 1-1/2"
- All hinges are ANSI template.

Template: BB60