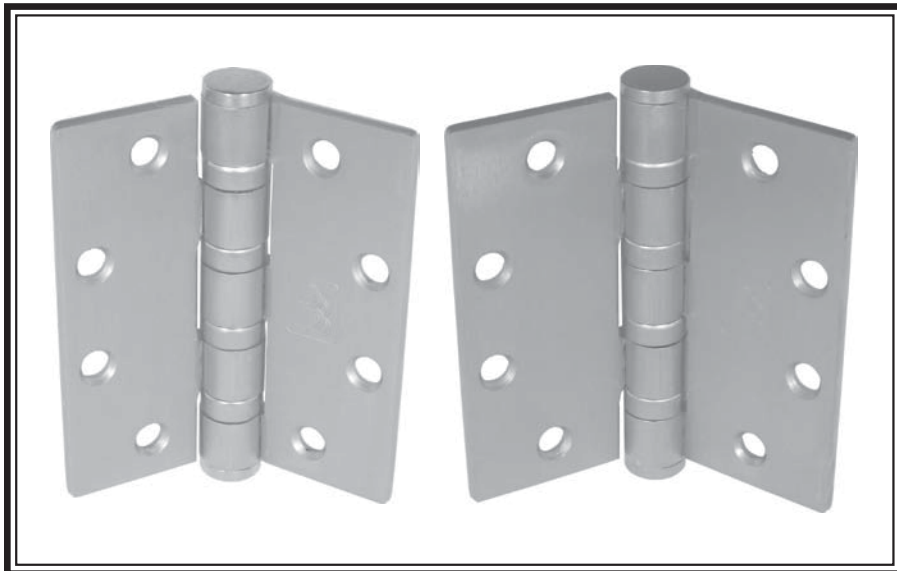




FULL MORTISE TEMPLATE BALL BEARING

HEAVY WEIGHT
4 1/2" x 4" 4 1/2" x 4 1/2"

B19



4B81 (ANSI A8111)
Steel-Polished and Plated or Bonderized and Prime Coated for Painting.

4B21 (ANSI A2111)
Brass-Polished and Plated

4B51 (ANSI A5111)
Stainless Steel-Polished and Satin Finish

- For heavy weight doors receiving high frequency service.
- Ball bearing hinges must be used on doors in conjunction with door closers and on all fire rated openings.
- For hospital type, add HT to suffix of part number.
- All hinges are ANSI template.

GENERAL PRODUCT INFORMATION: PBB, Inc. template hinges are manufactured to close tolerances and meet all specifications and requirements set by the American National Standards Institute (ANSI).

HINGE SWAGING: A standard swaging of our standard weight full mortise hinge when closed to parallel position provides a 1/16" clearance between leaves.

OTHER SPECIFICATIONS:

Height of hinge:
4.50 + .000 for 4-1/2" x 4"
 - .015

4.50 + .000 for 4 1/2" x 4-1/2"
 - .015

Width:

4.00 ± .015 for 4-1/2" x 4"
4.50 ± .015 for 4-1/2" x 4-1/2"

MATERIAL GAUGE:

.180 ± .005 for 4-1/2" x 4"
.180 ± .005 for 4-1/2" x 4-1/2"

4-1/2" STANDARD SCREW SIZE
FHMS - 12-24 x 1/2" FHWS - 12 x 1-1/4"

PACKAGING INFORMATION:

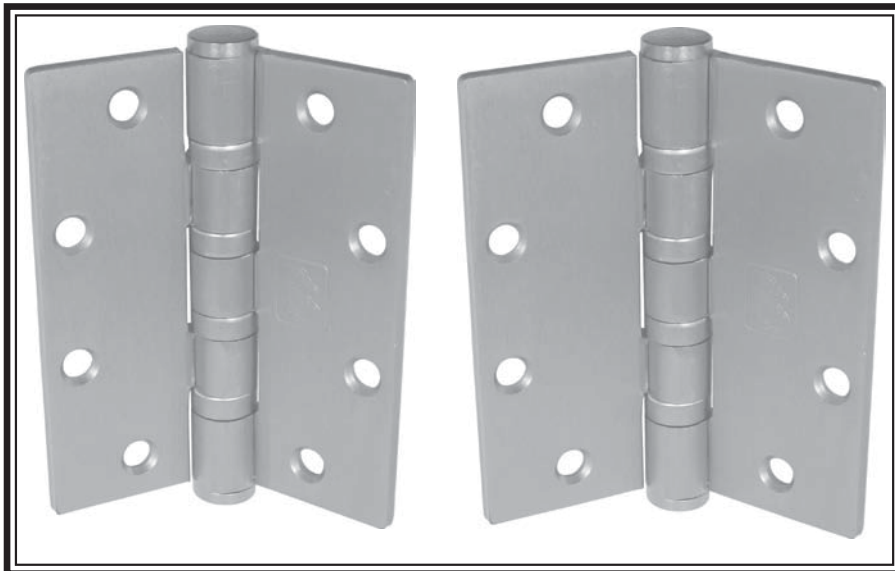
One hinge per plastic bag, 3 hinges and 1 screw pack per unit carton.
16 unit carton or 48 hinges per master shipping carton.
1 screw pack includes all machine screws (24), and 1/2 wood screws (12). ATMS & AWS also available.



FULL MORTISE TEMPLATE BALL BEARING

B20

HEAVY WEIGHT
5" x 4" 5" x 4 1/2" 5" x 5"



4B81 (ANSI A8111)
Steel-Polished and Plated or Bonderized and Prime Coated for Painting.

4B21 (ANSI A2111)
Brass-Polished and Plated

4B51 (ANSI A5111)
Stainless Steel-Polished and Satin Finish

- Recommended for over 3'4" width doors and having a thickness of 2" or more.
- For heavy weight doors receiving high frequency service.
- Ball bearing hinges must be used on doors in conjunction with door closers and on all fire rated openings.
- For hospital type, add HT to suffix of part number.
- All hinges are ANSI template.

GENERAL PRODUCT INFORMATION: PBB, Inc. template hinges are manufactured to close tolerances and meet all specifications and requirements set by the American National Standards Institute (ANSI).

HINGE SWAGING: A standard swaging of our standard weight full mortise hinge when closed to parallel position provides a 1/16" clearance between leaves.

MATERIAL GAUGE:
.190 ± .005 for 5" x 4"
.190 ± .005 for 5" x 4-1/2"
.190 ± .005 for 5" x 5"

OTHER SPECIFICATIONS:

Height of hinge:
5.00 + .000 for 5" x 4"
 - .015
5.00 + .000 for 5" x 4-1/2"
 - .015
5.00 + .000 for 5" x 5"
 - .015

Width:
4.00 ± .015 for 5" x 4"
4.50 ± .015 for 5" x 4-1/2"
5.00 ± .015 for 5" x 5"

5" STANDARD SCREW SIZE
FHMS - 12-24 x 1/2" FHWS - 12 x 1-1/2"

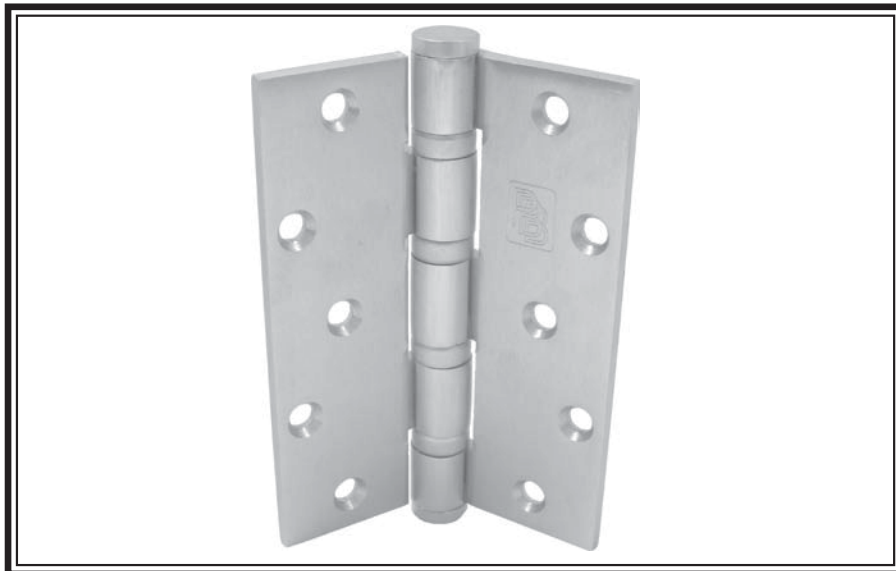
PACKAGING INFORMATION:

One hinge per plastic bag, 3 hinges and 1 screw pack per unit carton.
12 unit carton or 36 hinges per master shipping carton.
1 screw pack includes all machine screws (24), and 1/2 wood screws (12). ATMS & AWS also available.



FULL MORTISE TEMPLATE BALL BEARING

HEAVY WEIGHT
6" x 4 1/2" 6" x 5" 6" x 6" B21



4B81 (ANSI A8111)
Steel-Polished and Plated or Bonderized and Prime Coated for Painting.

4B21 (ANSI A2111)
Brass-Polished and Plated

4B51 (ANSI A5111)
Stainless Steel-Polished and Satin Finish

- Recommended for over 3'4" width doors and having a thickness of 2" or more.
- For heavy weight doors receiving high frequency service.
- Ball bearing hinges must be used on doors in conjunction with door closers and on all fire rated openings.
- For hospital type, add HT to suffix of part number.
- All hinges are ANSI template.

GENERAL PRODUCT INFORMATION: PBB, Inc. template hinges are manufactured to close tolerances and meet all specifications and requirements set by the American National Standards Institute (ANSI).

HINGE SWAGING: A standard swaging of our standard weight full mortise hinge when closed to parallel position provides a 1/16" clearance between leaves.

MATERIAL GAUGE:
.200 ± .005 for 6" x 4-1/2"
.200 ± .005 for 6" x 5"
.200 ± .005 for 6" x 6"

OTHER SPECIFICATIONS:

Height of hinge:
6.00 + .000 for 6" x 4-1/2"
 - .015
6.00 + .000 for 6" x 5"
 - .015
6.00 + .000 for 6" x 6"
 - .015

Width:
4.50 ± .015 for 6" x 4-1/2"
5.00 ± .015 for 6" x 5"
6.00 ± .015 for 6" x 6"

6" STANDARD SCREW SIZE
FHMS - 1/4-20 x 1/2" FHWS - 14 x 1-1/2"

PACKAGING INFORMATION:

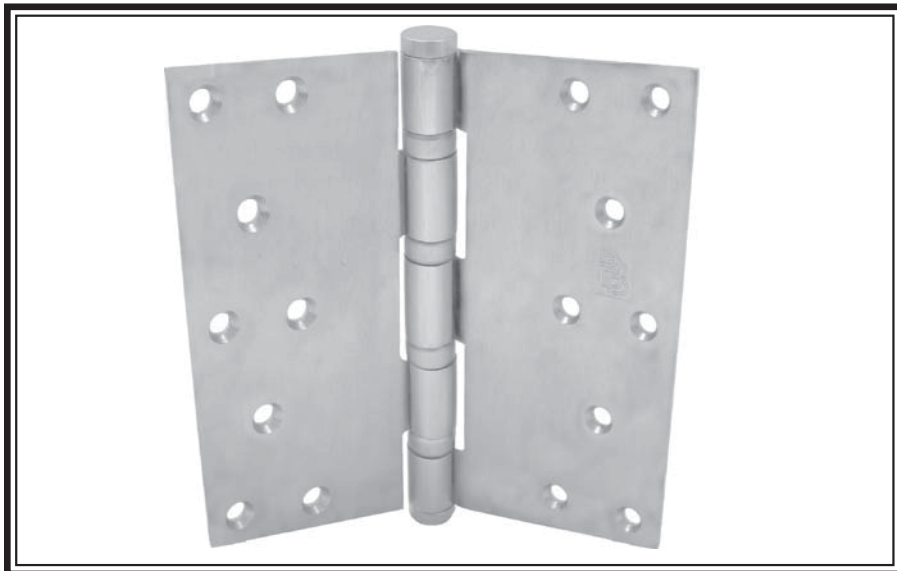
One hinge per plastic bag, 3 hinges and 1 screw pack per unit carton.
4 unit carton or 12 hinges per master shipping carton.
1 screw pack includes all machine screws (30), and 1/2 wood screws (15). ATMS & AWS also available.



FULL MORTISE TEMPLATE BALL BEARING

HEAVY WEIGHT
8" x 6" 8" x 8"

B22



4B81 (ANSI A8111)
Steel-Polished and Plated or Bonderized and Prime Coated for Painting.

4B21 (ANSI A2111)
Brass-Polished and Plated

4B51 (ANSI A5111)
Stainless Steel-Polished and Satin Finish

- Recommended for over 3'4" width doors and having a thickness of 2" or more.
- For heavy weight doors receiving high frequency service.
- Ball bearing hinges must be used on doors in conjunction with door closers and on all fire rated openings.
- For hospital type, add HT to suffix of part number.
- All hinges are ANSI template.

GENERAL PRODUCT INFORMATION: PBB, Inc. template hinges are manufactured to close tolerances and meet all specifications and requirements set by the American National Standards Institute (ANSI).

HINGE SWAGING: A standard swaging of our standard weight full mortise hinge when closed to parallel position provides a 1/16" clearance between leaves.

OTHER SPECIFICATIONS:

Height of hinge:		
	8.00 + .000	for 8" x 6"
	- .015	
	8.00 + .000	for 8" x 8"
	- .015	
Width:		
	6.00 ± .015	for 8" x 6"
	8.00 ± .015	for 8" x 8"

MATERIAL GAUGE:

.200 ± .005 for 8" x 6"
.200 ± .005 for 8" x 8"

8" STANDARD SCREW SIZE
FHMS - 1/4-20 x 1/2"
FHWS - 14 x 1-1/2"

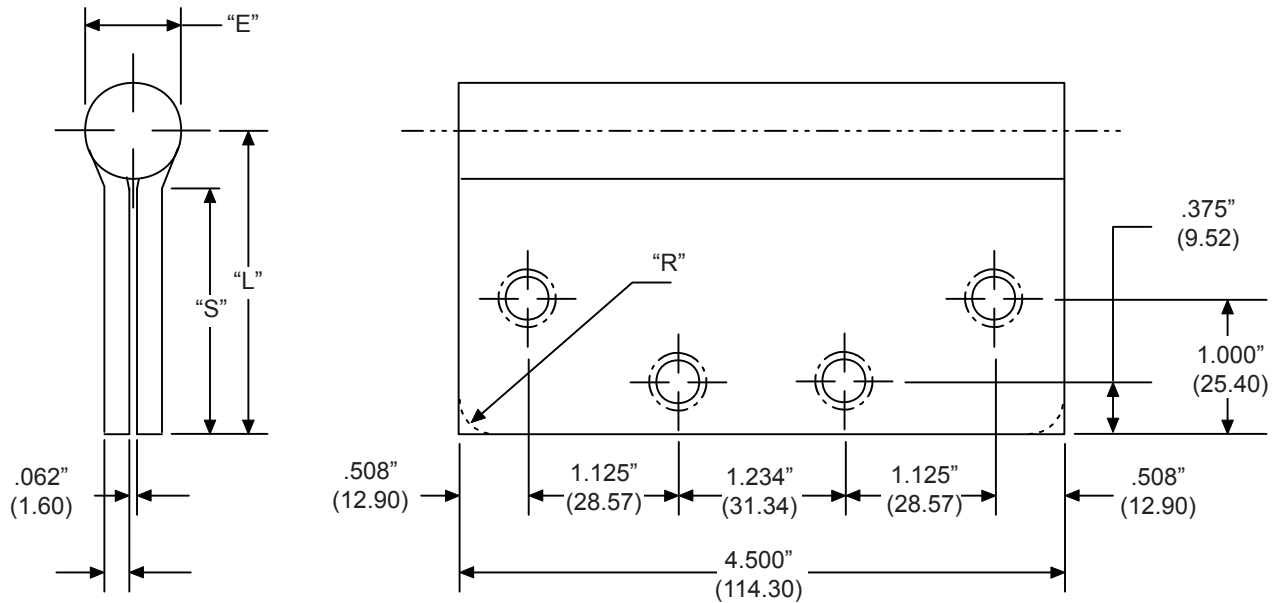
PACKAGING INFORMATION:

One hinge per plastic bag, 3 hinges and 1 screw pack per unit carton.
2 unit carton or 6 hinges per master shipping carton.
1 screw pack includes all machine screws (48), and 1/2 wood screws (24). ATMS & AWS also available.



FULL MORTISE HEAVY WEIGHT TEMPLATE

2B - 2P - 4B - 4C - 4F
4-1/2" x 4", 4-1/2" x 4-1/2"



L10

Part Number			Gauge of Metal	"E" Outside Dia.	"L" Leaf Width	"S" Swage Line	"R" Corner Radius
Steel	Brass	Stainless					
2B81/2P81	-	2B51/2P51	.134"	.600"	2.00"	1.63"	Square
2B81/2P81	-	2B51/2P51	.134"	.600"	2.25"	1.88"	Square
4B81*/4C81	4B21/4C21	4B51/4C51	.180"	.720"	2.00"	1.57"	Square, 1/4", 5/8"
4B81*/4C81	4B21/4C21	4B51/4C51	.180"	.720"	2.25"	1.82"	Square, 1/4", 5/8"

*Also available as welding butts with identical dimensions and the exclusion of screw holes.

NOTE:

- 1 screw pack includes all machine screws (24), and 1/2 wood screws (12). ATMS & AWS also available.
- Screw size: FHMS - 12-24 x 1/2"
FHWS - 12 x 1-1/4"
- All hinges are ANSI template.

PBB, Inc.
 World Class Hinges
 1311 E. Philadelphia Street • Ontario • CA 91761 • USA
 PBB reserves the right to make changes without notice.

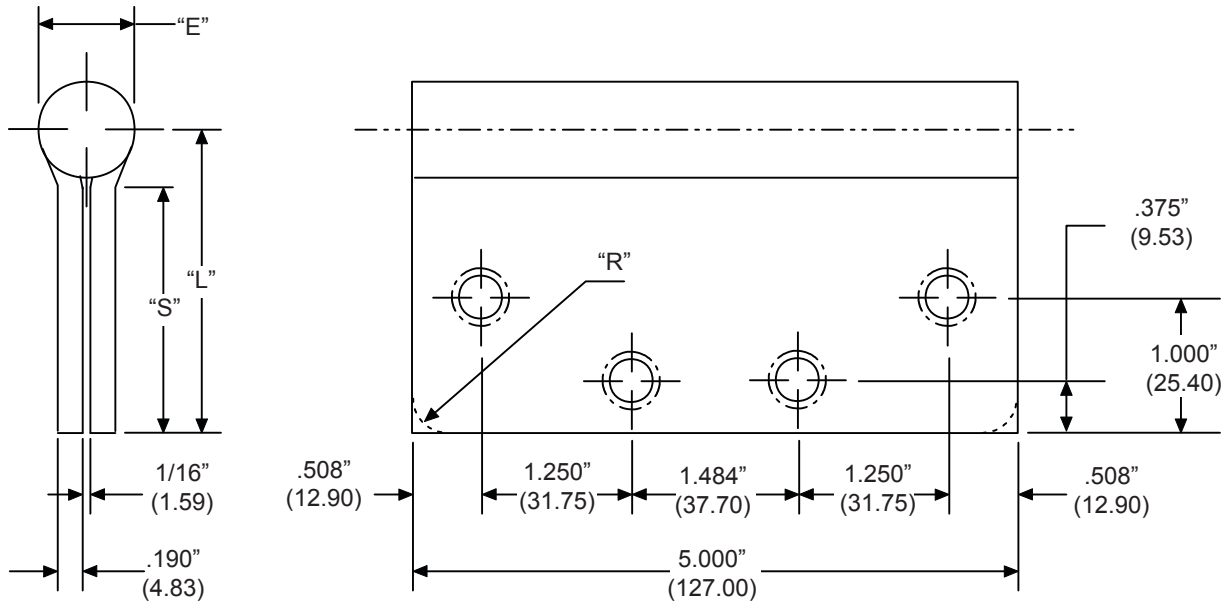
Template: 2B45/4B45



FULL MORTISE HEAVY WEIGHT TEMPLATE

4B - 4C - 4F

5" x 4", 5" x 4-1/2", 5" x 5"



Part Number			Gauge of Metal	"E" Outside Dia.	"L" Leaf Width	"S" Swage Line	"R" Corner Radius
Steel	Brass	Stainless					
4B81*/4C81	4B21/4C21	4B51/4C51	.190"	.740"	2.00"	1.56"	Square, 1/4", 5/8"
4B81*/4C81	4B21/4C21	4B51/4C51	.190"	.740"	2.25"	1.81"	Square, 1/4", 5/8"
4B81*/4C81	4B21/4C21	4B51/4C51	.190"	.740"	2.50"	2.06"	Square, 1/4", 5/8"

*Also available as welding butts with identical dimensions and the exclusion of screw holes.

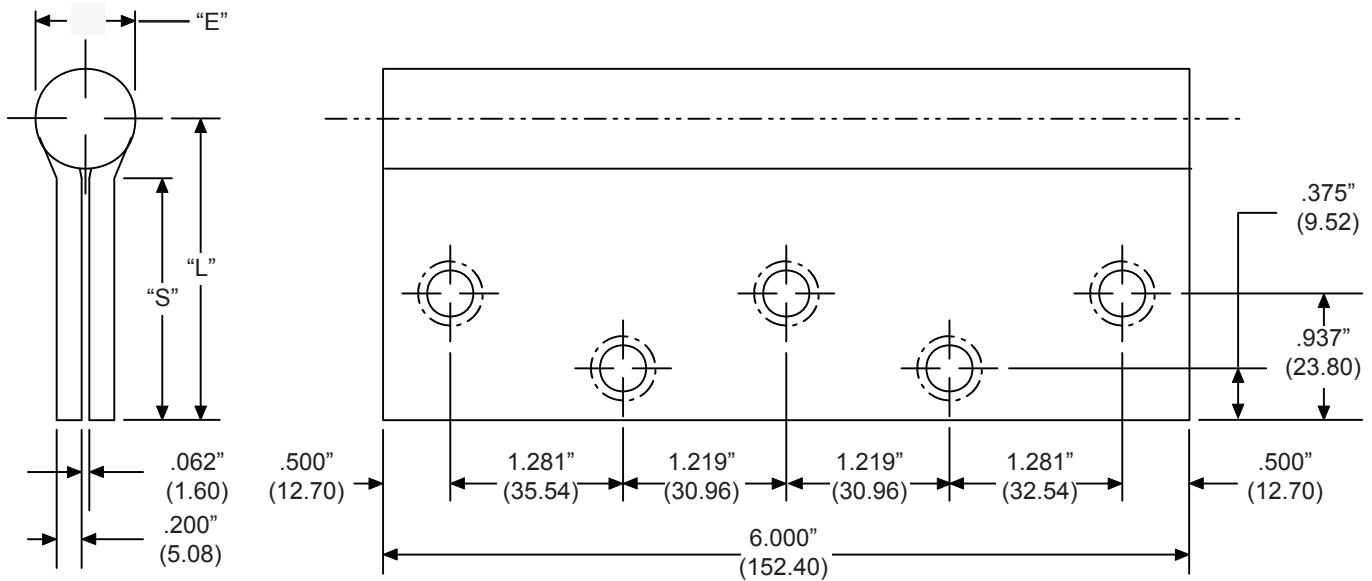
NOTE:

- 1 screw pack includes all machine screws (24), and 1/2 wood screws (12). ATMS & AWS also available.
- Screw size: FHMS - 12-24 x 1/2"
FHWS - 12 x 1-1/2"
- All hinges are ANSI template.



FULL MORTISE HEAVY WEIGHT TEMPLATE

4B - 4C - 4F
6" x 4-1/2", 6" x 5", 6" x 6"



L12

Part Number			Gauge of Metal	"E" Outside Dia.	"L" Leaf Width	"S" Swage Line	"R" Corner Radius
Steel	Brass	Stainless					
4B81/4C81	4B21/4C21	4B51/4C51	.200" *	.740"	2.25"	1.80"	Square, 1/4", 5/8"
4B81/4C81	4B21/4C21	4B51/4C51	.200" *	.740"	2.50"	2.05"	Square, 1/4", 5/8"
4B81/4C81	4B21/4C21	4B51/4C51	.200" *	.740"	3.00"	2.55"	Square, 1/4", 5/8"

NOTE:

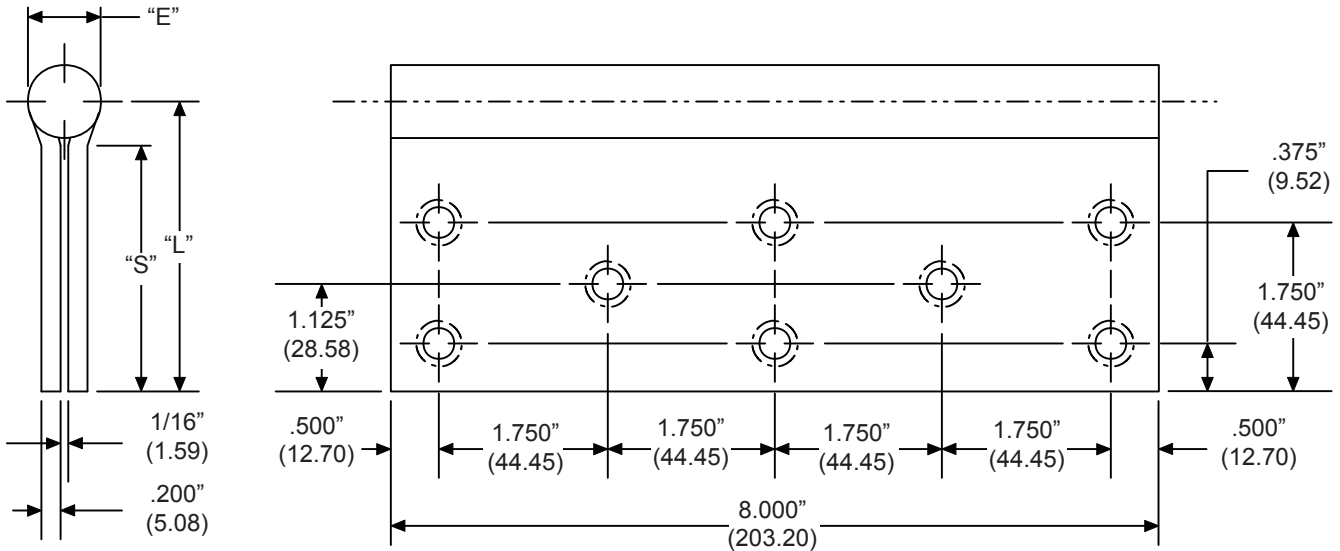
- 1 screw pack includes all machine screws (30), and 1/2 wood screws (15). ATMS & AWS also available.
- Screw size: FHMS - 1/4-20 x 1/2"
FHWS - 14 x 1-1/2"
- *Stainless steel hinges have .190" (4.83) material thickness.
- All hinges are ANSI template.

Template: 4B60



FULL MORTISE HEAVY WEIGHT TEMPLATE

4B-4F
8" x 6", 8" x 8"



Part Number			Gauge of Metal	"E" Outside Dia.	"L" Leaf Width	"S" Swage Line	"R" Corner Radius
Steel	Brass	Stainless					
4B81/4F81	4B21/4F21	4B51/4F51	.200" *	.766"	3.00"	2.46"	Square, 1/4", 5/8"
4B81/4F81	4B21/4F21	4B51/4F51	.200" *	.766"	4.00"	3.46"	Square, 1/4", 5/8"

NOTE:

- 1 screw pack includes all machine screws (48), and 1/2 wood screws (24). ATMS & AWS also available.
- Screw size: FHMS - 1/4-20 x 1/2"
FHWS - 14 x 1-1/2"
- *Stainless steel hinges have .190" (4.83) material thickness.
- All hinges are ANSI template.

Template: 4B80