

SERIES

BRM

OVERLY

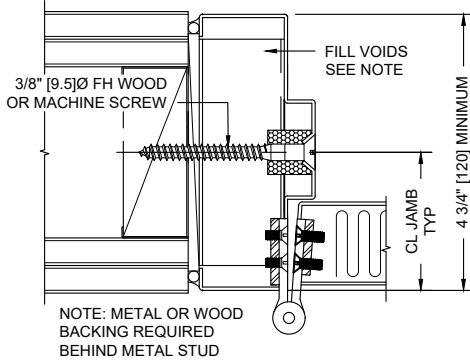
DOOR COMPANY

574 WEST OTTERMAN STREET
 POST OFFICE BOX 70
 GREENSBURG, PA 15601-0070
 TELEPHONE: 724-834-7300
 FAX: 724-830-2871

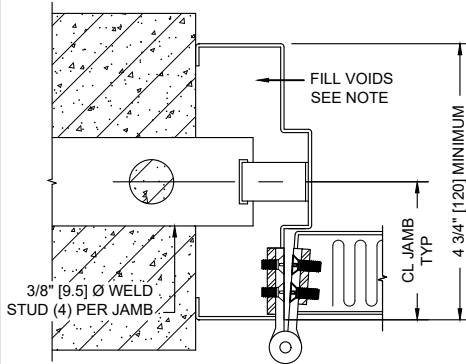
TYPICAL METAL FRAME WALL ANCHORAGE SYSTEMS FOR UL 752 LEVELS 1-8 BULLET RESISTANT METAL DOORS

NOTES:

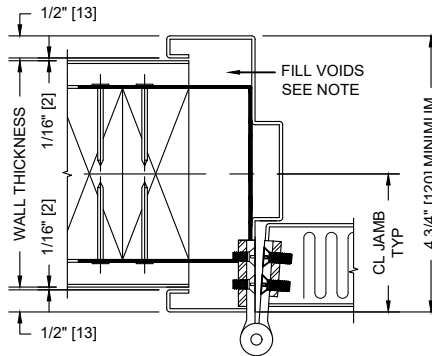
1. Verify wall construction utilized on project is capable of handling weight of door provided.
2. For anchorage systems used in metal stud wall construction, wood blocking required inside steel channel.
3. Custom frame profiles and anchorage options available. Consult factory with your specific project needs.



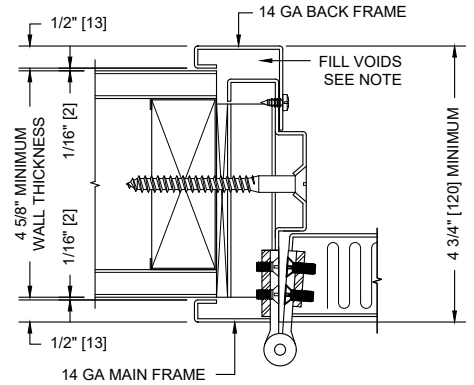
**BOLT-IN INSTALLATION
 IN EXISTING STUD WALL**



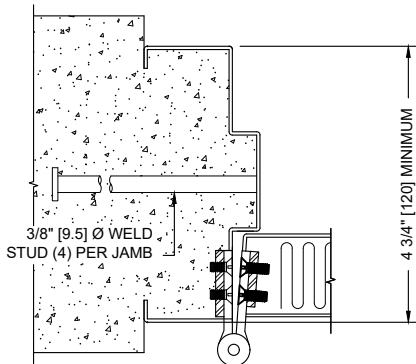
**BUILT-IN INSTALLATION
 IN NEW MASONRY WALL**



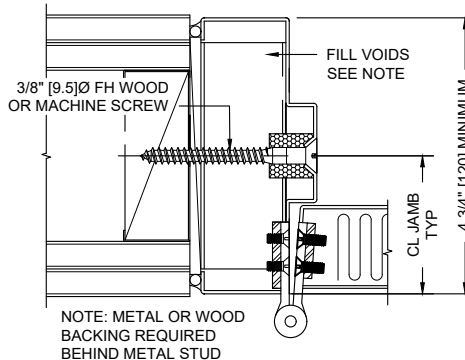
**NAILING CLIP INSTALLATION
 IN NEW WOOD STUD WALL**



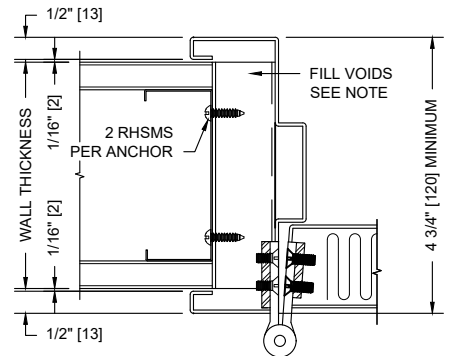
**OPTIONAL SPLIT TYPE FRAME
 FOR BOLT IN INSTALLATION IN
 EXISTING STUD WALL**



**BUILT IN INSTALLATION
 IN NEW POURED CONCRETE WALL**



**BOLT-IN INSTALLATION
 IN EXISTING STUD WALL**



**BUILT-IN INSTALLATION
 IN NEW STUD WALL**

ALL DIMENSIONS
 BOTH IN INCHES
 AND MILLIMETERS