



## HSLR Series

Ligature resistant trim  
for high risk applications



### Overview

Hospitals, behavioral health facilities and detention centers are at high-risk for sentinel suicide events, even when regular monitoring checks are in place. Statistics from 2010-2017 show that over 70 percent of suicide attempts during hospital inpatient treatment utilized a ligature or strangulation point and almost 54 percent of those used a door or door hardware<sup>1</sup>. To mitigate suicide risk more effectively facilities are making an effort to create spaces to keep patients safe from self harm.

Schlage® offers a comprehensive portfolio of door hardware that reduces the risk of injury or death due to ligature strangulation in all areas, but the High Security Ligature Resistant (HSLR) trim is especially recommended for high risk applications. The patented crescent-style handle design has quickly become the standard for ligature resistance and accessibility and is recognized by the widely-accepted New York State Office of Mental Health (NYS-OMH) Patient Safety Standard.

The HSLR ligature resistant trim is available for both the Schlage L Series mortise lock and Schlage ND Series cylindrical lock.

#### Recommended applications<sup>2</sup>

##### High risk areas

- Patient bedroom
- In-suite bathroom
- In-suite closet
- Time-out room

Patient difficult to manage; or risk of solitary and/or unsupervised areas.

##### Medium risk areas

- Living room
- Dining room
- Group room
- Kitchen
- Janitor's closet
- Hallway restroom

Patient access is controlled; or use is supervised with no solitary and/or unsupervised care.

##### Low risk areas

- Medication room
- Nurse station
- Office
- Laundry room
- Staff restroom
- Classroom

No patient use or area is constantly supervised.

### Features and benefits

- The highest level of ligature resistance to positively contribute to healing environments
- Cylindrical and mortise options
- “Paperclip Protection” designation as determined by NYS-OMH testing
- Recommended for low, medium or high risk areas
- ADA Compliant - “no pinch, no grasp”
- Variety of mortise and cylindrical functions available, including electrified
- Supplied with Torx® security screws
- Available in 630 finish
- BAA compliant
- Locks are ANSI/BHMA Grade 1 certified
- UL Listed 3-hour

Note: Although designed to reduce the risk of injury or death due to ligature strangulation, these products are ligature resistant, but are not necessarily ligature proof.

1. The Joint Commission. Journal on Quality and Patient Safety: 2018; 44:643-650, Incidence and Method of Suicide in Hospitals in the United States

2. New York State Office of Mental Health. Patient Safety Standards, Materials and Systems Guidelines: August 15, 2018

## Specifications

	ND Series HSLR cylindrical	L Series HSLR mortise
Functions	See price book for available functions	See price book for available functions
Door thickness	1 3/4" only	1 3/4" only
Handing	Must be specified on order	Must be specified on order
Trim materials	Lever: Stainless steel with aluminum spacer Plate: Stainless steel	Lever: Brass Plate: Stainless steel
Finishes	630 Satin stainless steel	630 Satin stainless steel
Backset	Standard: 2 3/4" Others available via RFQ	2 3/4"
Strike	ANSI curved lip strike 1 1/4" x 4 7/8" (32mm x 124mm) x 1 3/16" (30mm) lip to center with dust box	Deadbolt functions: ANSI curved lip strike Non-deadbolt functions: Ligature resistant ANSI curved lip strike 1 1/4" x 4 7/8" (32mm x 124mm) x 1 3/16" (30mm) lip to center with dust box
Cylinders and key systems	Standard: 6-pin Patented Everest 29, solid brass, keyed 6-pin with two nickel silver cut keys per lock. Additional cylinder and keying options available. See Schlage price book, ND Series or L Series catalogs.	
Warranty	10 year limited mechanical 1 year limited wired electrified	3 year limited mechanical 1 year limited wired electrified
ANSI/BHMA <sup>1</sup>	ANSI/BHMA A156.2-2017 Grade 1	ANSI/BHMA A156.13-2017 Series 1000, Grade 1 Operational and Security With FSIC cylinders: Grade 2 Security With SFIC cylinders: Grade 3 Security ASTM F476-76 Grade 40
ICC	Complies with ICC A117.1 Accessible and Usable Buildings and Facilities	
UL/cUL	UL10C and CAN/ULC-S104 3-hour Fire Listed	UL 10C and CAN/ULC-S104 3-hour Fire Listed (except L9076 and L9077)

1. Lock mechanisms only. Lock and trim combination has been tested to Grade 1 but not certified.

## Ordering instructions

### HSLR Series example

Product	Trim	Finish	Handing
L9080P or ND50PD	HSLR	630	LH

### Lock specifications

Product	Product series + function + cylinder
Trim	HSLR
Finish	630 only
Handing	Hand of door, must be specified

### Finishes



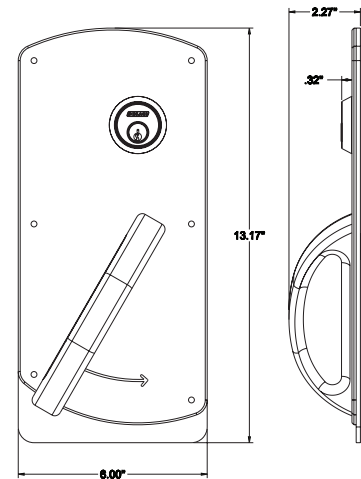
630  
Satin stainless steel

## About Allegion

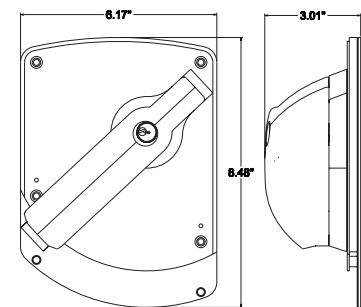
Allegion (NYSE: ALLE) is a global pioneer in safety and security, with leading brands like CISA®, Interflex®, LCN®, Schlage®, SimonsVoss® and Von Duprin®. Focusing on security around the door and adjacent areas, Allegion produces a range of solutions for homes, businesses, schools and other institutions. Allegion is a \$2 billion company, with products sold in almost 130 countries. For more, visit [www.allegion.com](http://www.allegion.com).

KRYPTONITE ■ LCN ■  ■ STEELCRAFT ■ VON DUPRIN

## HSLR mortise trim



## HSLR cylindrical trim



## Other Allegion ligature resistant solutions

### Schlage SL1/SK1 mortise locks

- For low-medium risk applications
- Lever and knob styles with recessed trim and sloped surfaces

### Ives® hospital tip door hinges

- Ligature resistant sloped tip
- Available on architectural hinges and pin and barrel continuous hinges

### Zero International ligature resistant gasketing

- Patented design allows normal function, but will break into pieces if removed for any reasons



© 2019 Allegion  
013143, Rev. 04/19  
[www.allegion.com/us](http://www.allegion.com/us)



P519-055

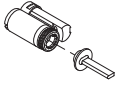
# ND-Series HSLR



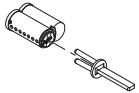
Installation Instructions

### Cylinder Options

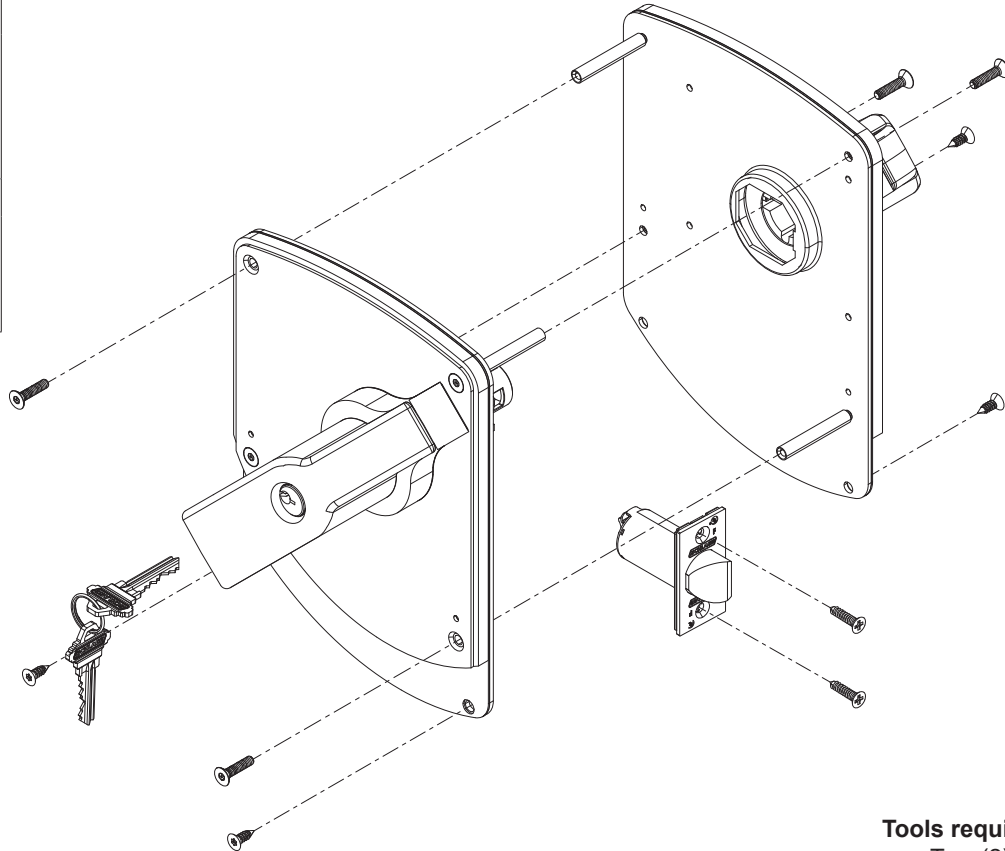
Full Size IC (FSIC)



Small Format (SFIC)



Standard Cylinder



### Tools required

- Two (2) drivers to fit T15 security Torx bits (bits included)
- Phillips screw driver

### WARNING

This installation requires two people. DO NOT attempt to install alone. Personal injury and lock damage may occur.

Para español, pág. 5.

Para francés, pág. 9.

Customer Service

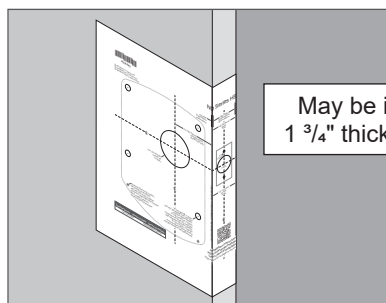
1-877-671-7011

[www.allegion.com/us](http://www.allegion.com/us)



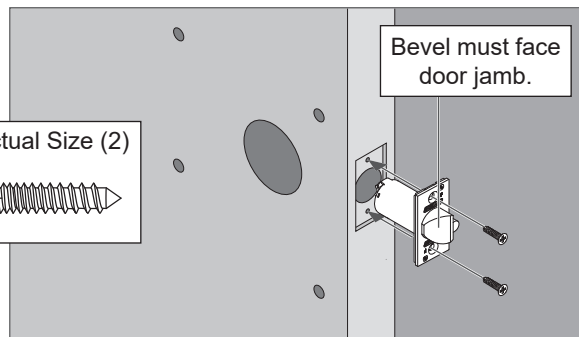
© Allegion 2019  
Printed in U.S.A.  
P519-055 Rev. 11/19-a

**1** Prepare door using included template.

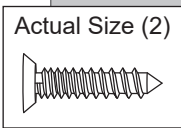


May be installed on 1 3/4" thick door ONLY.

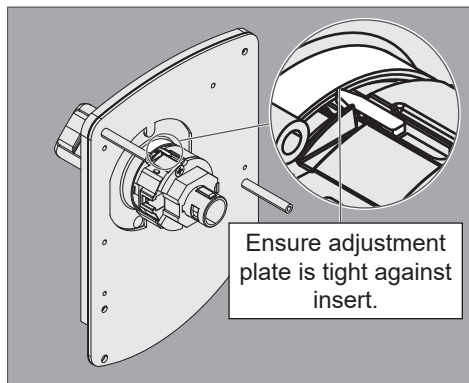
**2** Install latch into door edge.



Bevel must face door jamb.



**3** Verify chassis position.



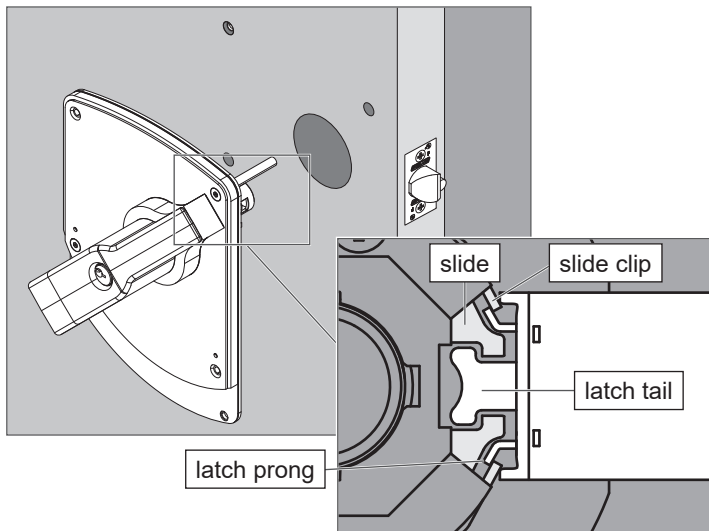
Ensure adjustment plate is tight against insert.

**4** Install cylinder.

See "Install or change cylinder" on page 4.

**5** Install exterior plate onto exterior of door.

Latch prongs fit between slide and slide clip. Latch tail fits inside slide.

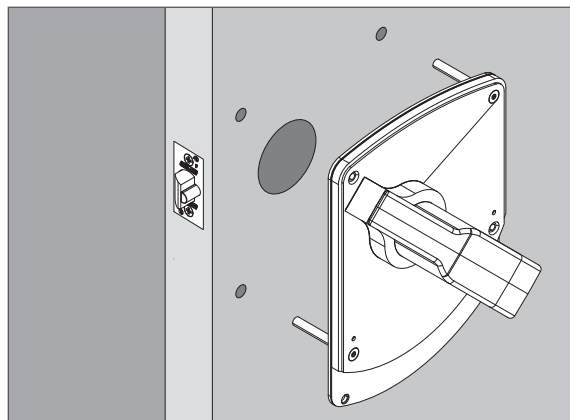


**! WARNING**

Continue to hold plate assembly on door. Failure to do so may cause personal injury and lock damage.

**6** Install interior plate onto interior of door.

Place plate against door and hold in place.

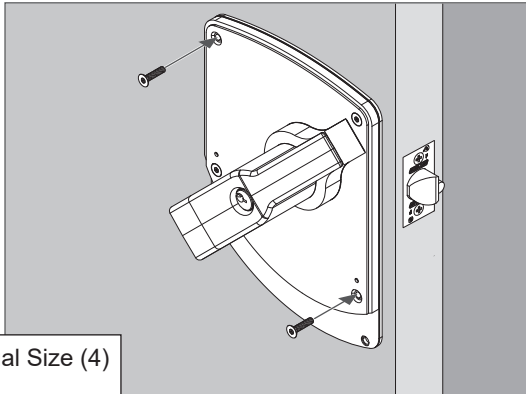


**! WARNING**

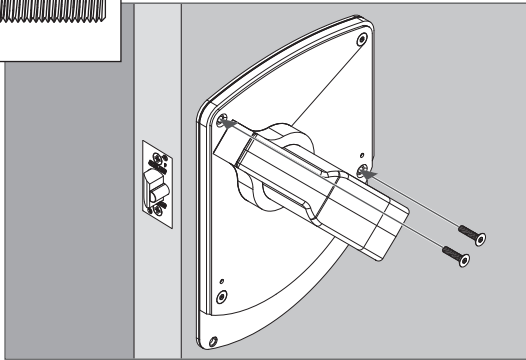
Continue to hold plate assembly on door. Failure to do so may cause personal injury and lock damage.

## 7 Install screws on interior and exterior of door.

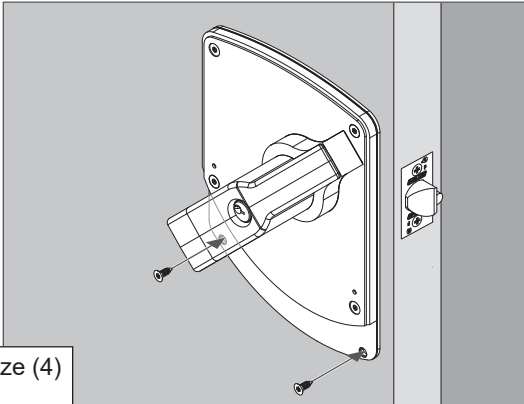
7a Install screws into posts.



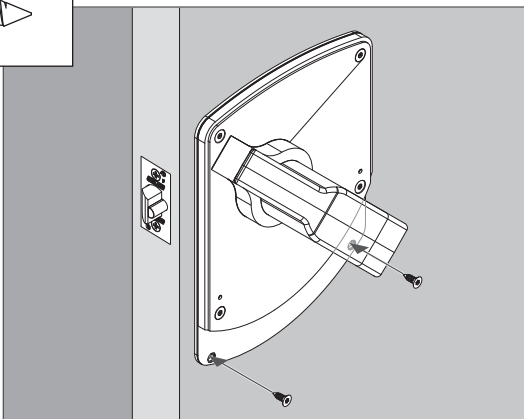
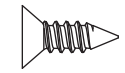
Actual Size (4)



7b Check function. If operation is not smooth, loosen screws, lift trim on door until smooth. Then install surface-mount screws.



Actual Size (4)



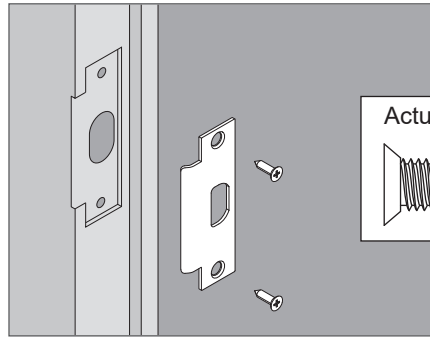
## 8 Fully tighten all screws.

Test function. Then tighten all screws.

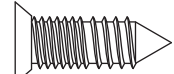
### ⚠ WARNING

All screws must be flush with plate. Failure to make screws flush will result in ligature hazard.

## 9 Install strike.



Actual Size (2)



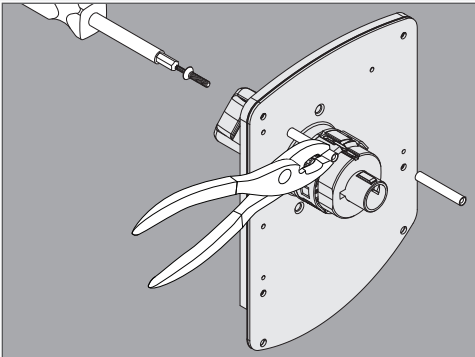
## Install or change cylinder

a. Remove lock from door.

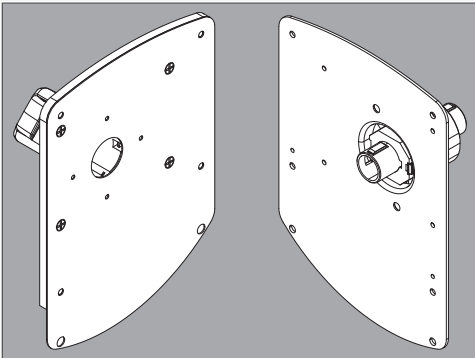
b. Time chassis:

ND70, ND73, ND94, ND97

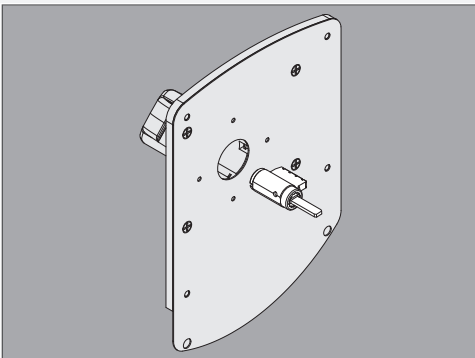
1. Remove ferrules.



2. Separate chassis and subplate from trim.

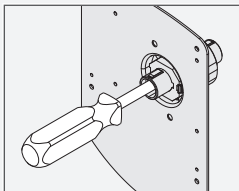


3. Remove cylinder.

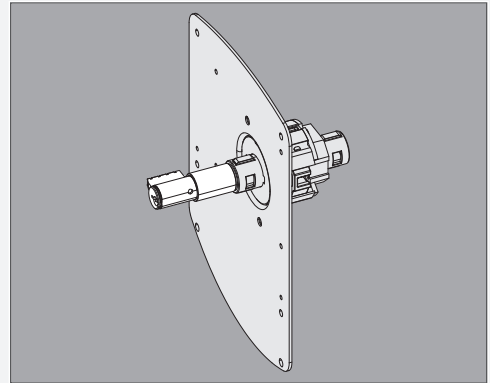


4. From **OUTSIDE**, rotate key cam **CCW** until it stops.

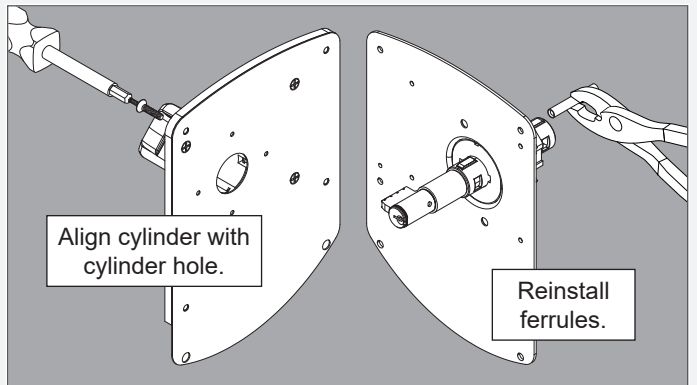
Confirm keycam position:



5. Reinstall spacer and cylinder.



6. Reinstall chassis and subplate onto trim.



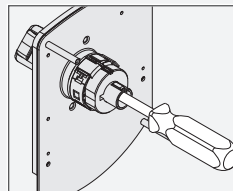
Align cylinder with cylinder hole.

Reinstall ferrules.

### ND66

From **INSIDE**, rotate key cam **CCW** until it stops.

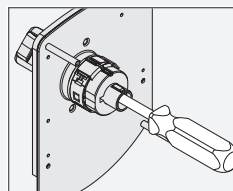
Confirm keycam position:



### ND60, ND75, ND95

From **INSIDE**, rotate key cam **CCW** until it stops.

Confirm keycam position:

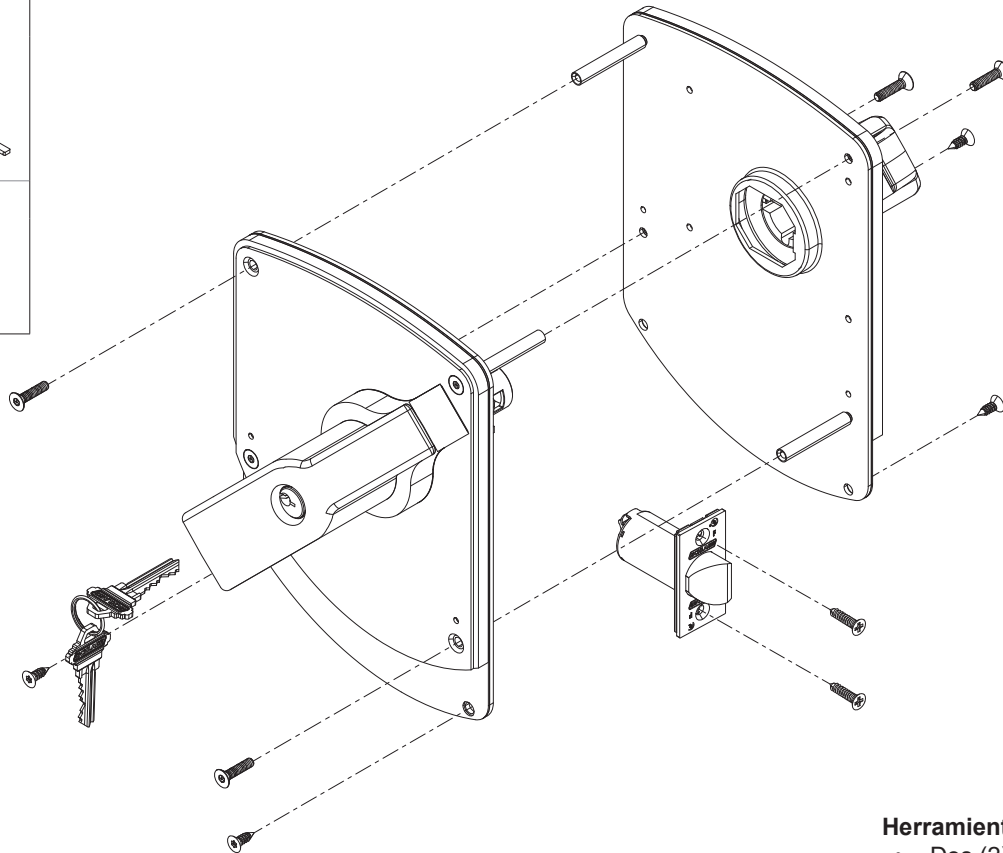
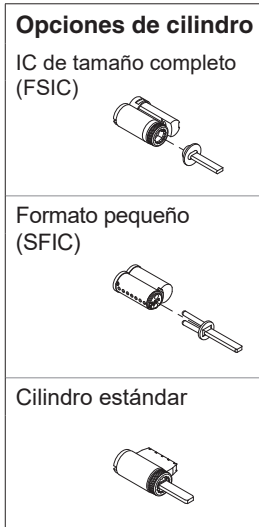


c. Reinstall lock.

d. Check for proper cylinder operation. Review steps if necessary.

# HSLR de la serie ND

Instrucciones para la instalación



## Herramientas necesarias

- Dos (2) desarmadores de puntas intercambiables para las puntas Torx de seguridad T15 (puntas incluidas)
- Destornillador Phillips

## ⚠ ADVERTENCIA

Se necesitan dos personas para esta instalación.  
NO intente realizar la instalación usted solo. Puede lesionarse o dañar la cerradura.

Para inglés, pág. 1.

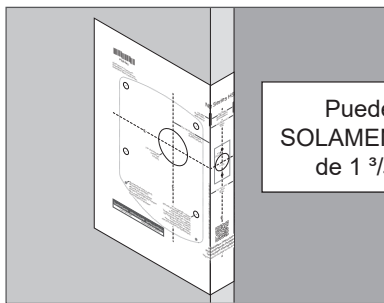
Para francés, pág. 9.

## Servicio al cliente

1-877-671-7011

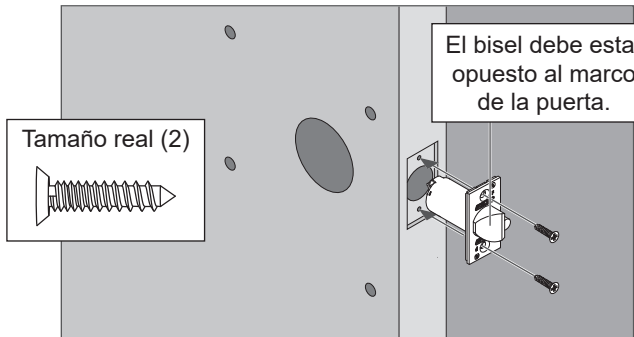
[www.allegion.com/us](http://www.allegion.com/us)

# 1 Prepare la puerta con ayuda de la plantilla adjunta.



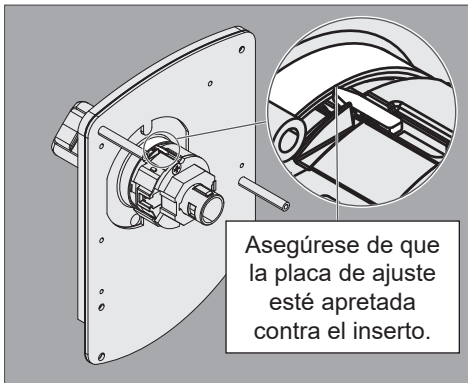
Puede instalarse SOLAMENTE en puertas de 1 3/4" de grosor.

# 2 Instale el pestillo en el borde de la puerta.



El bisel debe estar opuesto al marco de la puerta.

# 3 Verifique la posición del chasis.



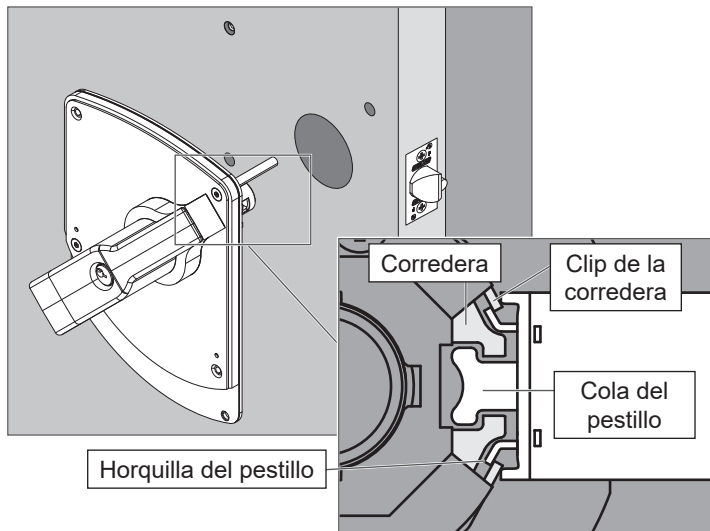
Asegúrese de que la placa de ajuste esté apretada contra el inserto.

# 4 Instale el cilindro.

Consulte la sección "Instalar o cambiar el cilindro" en la página 8.

# 5 Instale la placa exterior sobre el exterior de la puerta.

Las horquillas del pestillo encajan entre la corredera y el clip de la corredera. La cola del pestillo encaja dentro de la corredera.

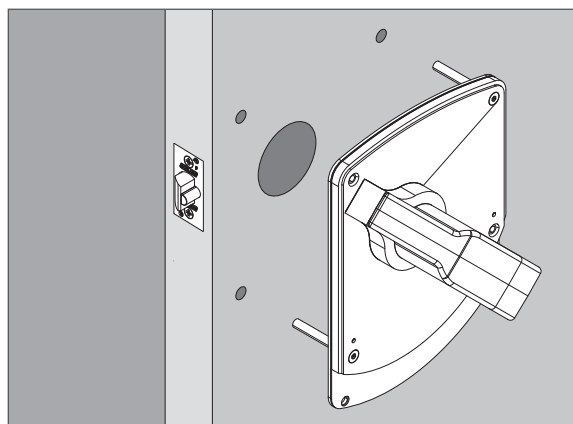


## ⚠ ADVERTENCIA

Siga sosteniendo el conjunto de la placa sobre la puerta. Si no lo hace, puede lesionarse y dañar la cerradura.

# 6 Instale la placa interior sobre el interior de la puerta.

Empuje la placa contra la puerta y manténgala en su lugar.



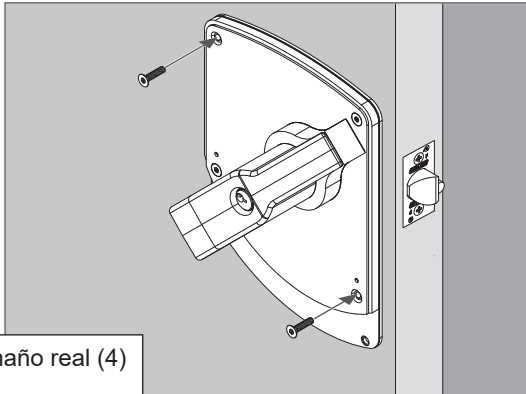
## ⚠ ADVERTENCIA

Siga sosteniendo el conjunto de la placa sobre la puerta. Si no lo hace, puede lesionarse y dañar la cerradura.

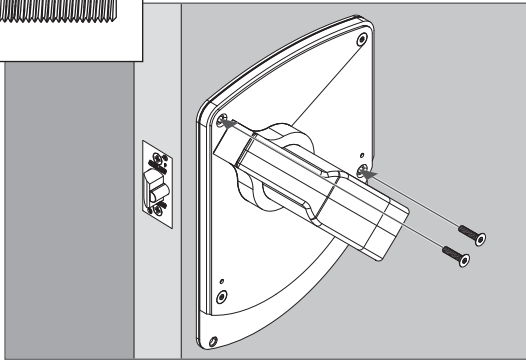


## 7 Instale tornillos en el interior y el exterior de la puerta.

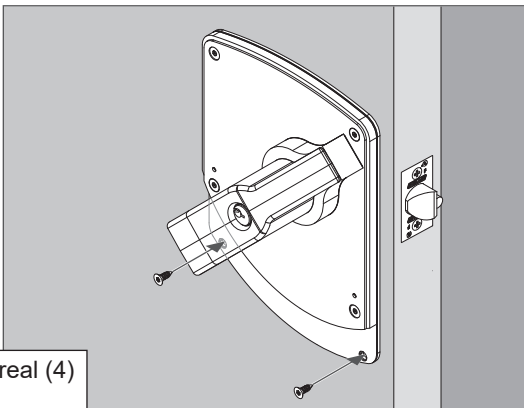
7a Instale tornillos en los postes.



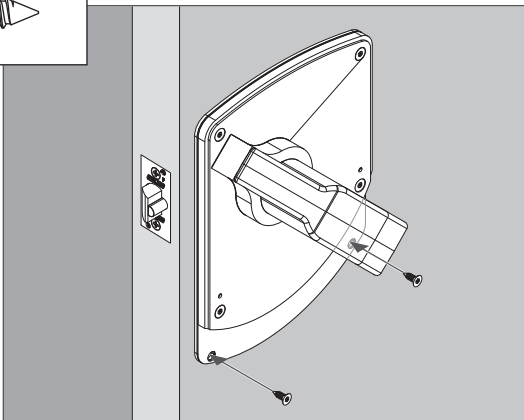
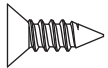
Tamaño real (4)



7b Compruebe si funciona. Si no funciona de manera suave, afloje los tornillos y levante la moldura sobre la puerta hasta que lo haga correctamente. Luego instale tornillos de montaje en superficie.



Tamaño real (4)



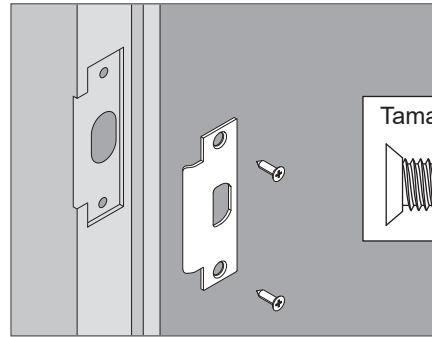
## 8 Ajuste completamente todos los tornillos.

Pruebe si funciona. Luego, ajuste todos los tornillos.

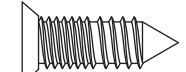
### ⚠ ADVERTENCIA

Todos los tornillos deben estar al mismo nivel que la placa. De no ser así, se puede generar un riesgo de ligadura.

## 9 Instale la placa hembra.



Tamaño real (2)



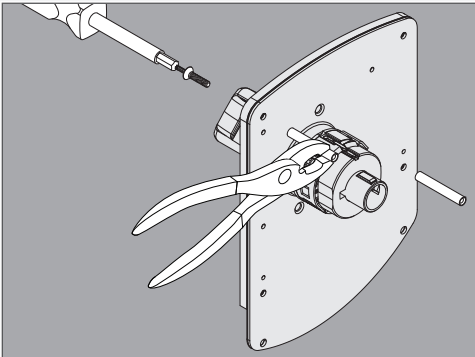
## Instalar o cambiar el cilindro

a. Retire la cerradura de la puerta.

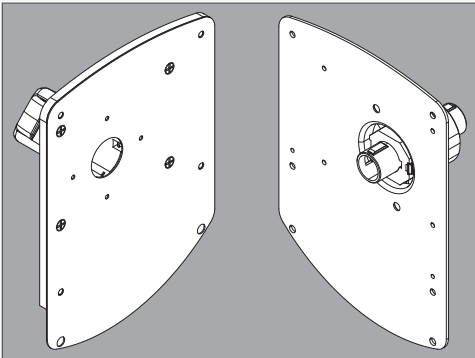
b. Sincronice el chasis:

ND70, ND73, ND94, ND97

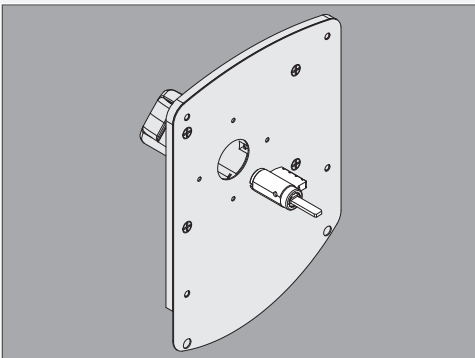
1. Retire las férulas.



2. Separe el chasis y la subplaca de la moldura.

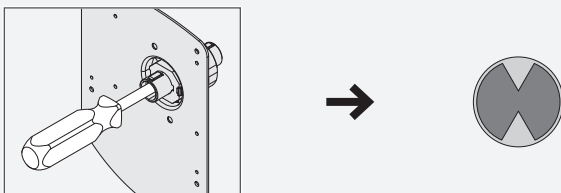


3. Quite el cilindro.

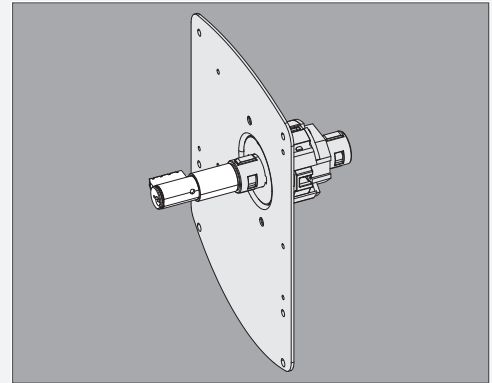


4. Desde **AFUERA**, gire la leva de la llave en **sentido antihorario** hasta que se detenga.

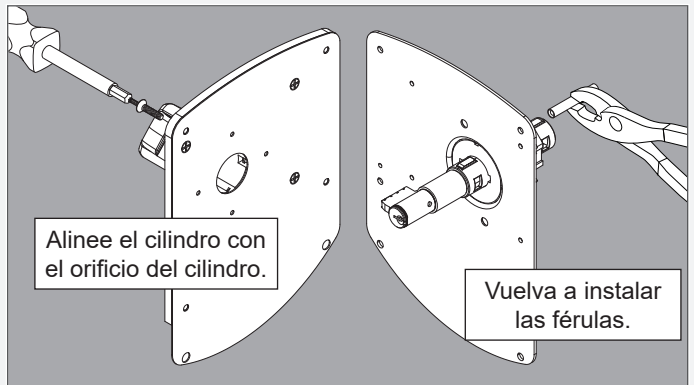
Confirme posición clave de la llave:



5. Vuelva a instalar el separador y el cilindro.



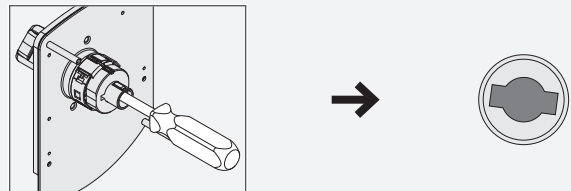
6. Vuelva a instalar el chasis y la subplaca en la moldura.



### ND66

Desde **ADENTRO**, gire la leva de la llave en **sentido antihorario** hasta que se detenga.

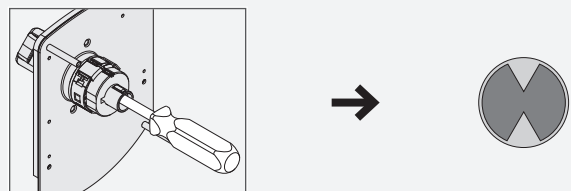
Confirme posición clave de la llave:



### ND60, ND75, ND95

Desde **ADENTRO**, gire la leva de la llave en **sentido antihorario** hasta que se detenga.

Confirme posición clave de la llave:

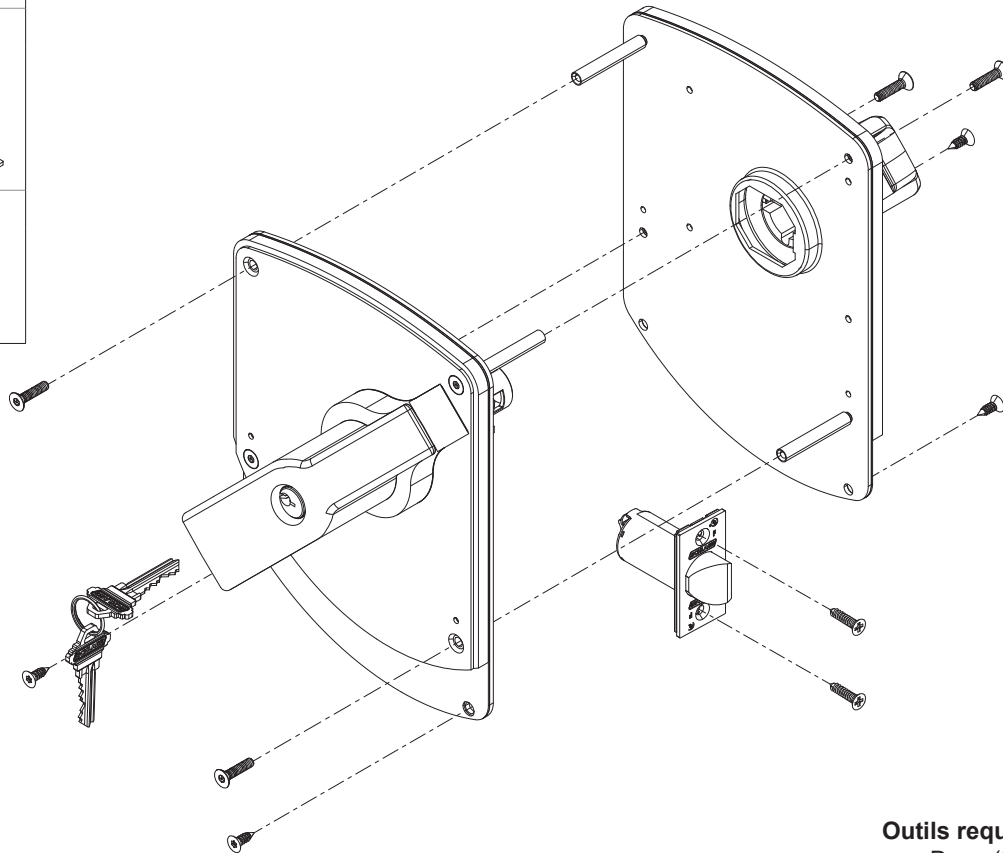
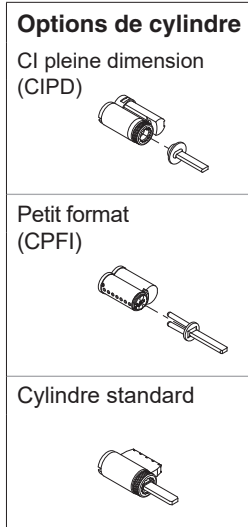


c. Vuelva a instalar la cerradura.

d. Verifique el correcto funcionamiento del cilindro. Revise los pasos si es necesario.

# Gamme HSLR – ND

Instructions d'installation



## Outils requis

- Deux (2) tournevis adaptés pour recevoir les douilles à six lobes internes T15 de sécurité (douilles fournies)
- Tournevis à tête cruciforme



## AVERTISSEMENT

Cette installation doit être effectuée par deux (2) personnes. N'ESSAYEZ PAS d'effectuer l'installation à vous seul. Des blessures et des bris de serrure peuvent se produire.

Pour l'anglais, pag. 1.

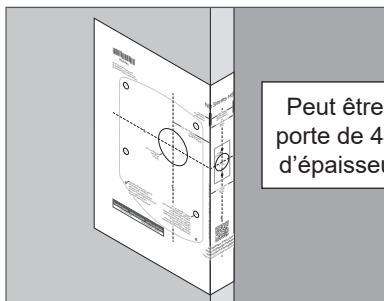
Pour l'espagnol, pag. 5.

Service à la clientèle

1-877-671-7011

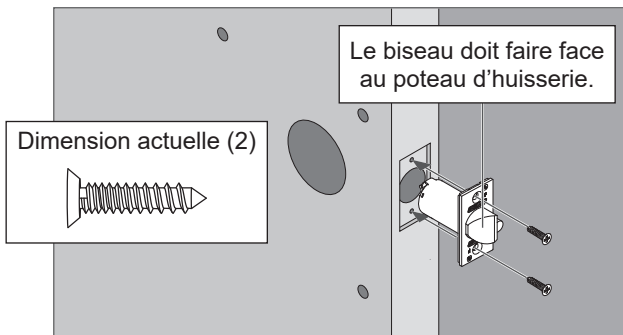
[www.allegion.com/us](http://www.allegion.com/us)

## 1 Préparez la porte en utilisant le gabarit fourni.

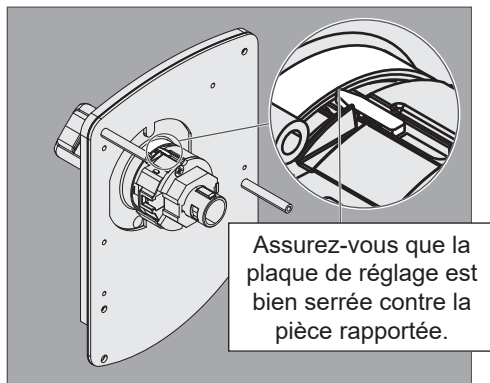


Peut être installé sur une porte de 44,5 mm (1 3/4 po) d'épaisseur SEULEMENT.

## 2 Installez le loquet sur le bord de la porte.



## 3 Vérifiez la position du châssis.

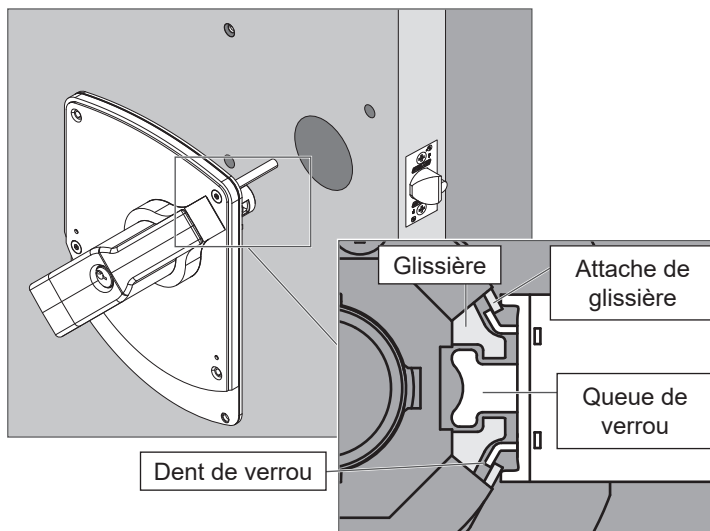


## 4 Installez le cylindre.

Consultez le chapitre « Installation ou changement de cylindre » à la page 12.

## 5 Installez la plaque extérieure sur l'extérieur de la porte.

Les dents de verrou s'insèrent entre la glissière et l'attache de glissière. La queue du verrou s'insère à l'intérieur de la glissière.

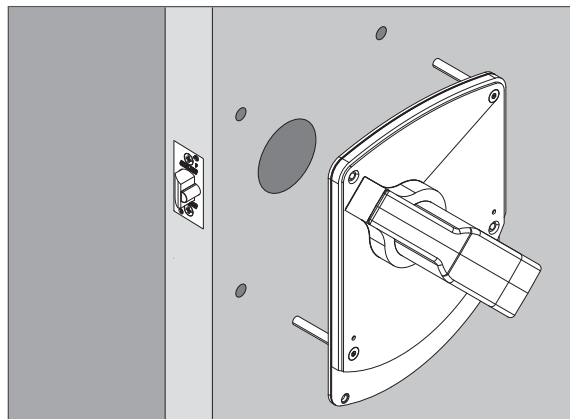


### ⚠ AVERTISSEMENT

Maintenez toujours l'assemblage de plaque sur la porte. Le fait de ne pas le maintenir représente un risque de blessure et de bris de la serrure.

## 6 Installez la plaque intérieure sur l'intérieur de la porte.

Placez la plaque contre la porte et maintenez-la en place.

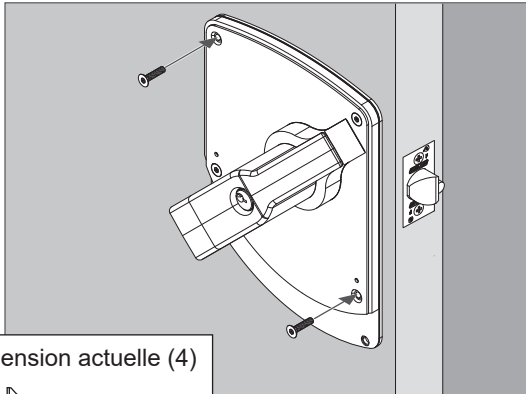


### ⚠ AVERTISSEMENT

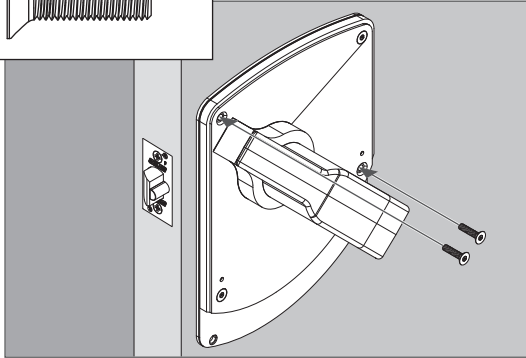
Maintenez toujours l'assemblage de plaque sur la porte. Le fait de ne pas le maintenir représente un risque de blessure et de bris de la serrure.

## 7 Installez les vis à l'intérieur et à l'extérieur de la porte.

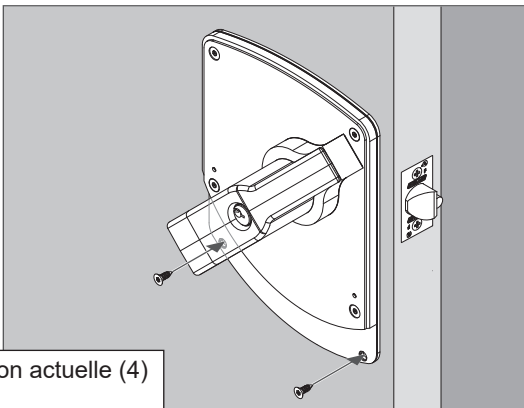
7a Installez les vis dans les montants.



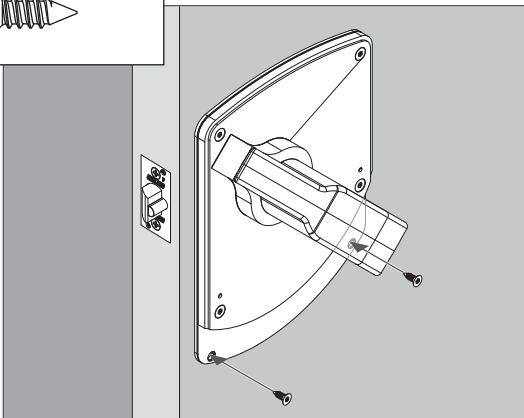
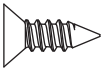
Dimension actuelle (4)



7b Vérifiez le fonctionnement. Si le fonctionnement ne se fait pas sans heurt, desserrez les vis puis soulevez la garniture de la porte jusqu'à ce que le mouvement se fasse sans heurt. Installez ensuite les vis pour le montage en surface.



Dimension actuelle (4)



## 8 Serrez complètement toutes les vis.

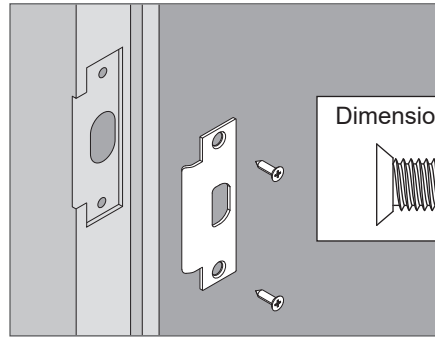
Essayez le fonctionnement. Serrez ensuite toutes les vis.



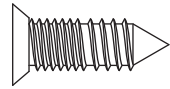
### AVERTISSEMENT

Toutes les vis doivent affleurer la plaque. Des vis n'étant pas affleurées à la plaque représentent un risque de ligature.

## 9 Installez la gâche.



Dimension actuelle (2)



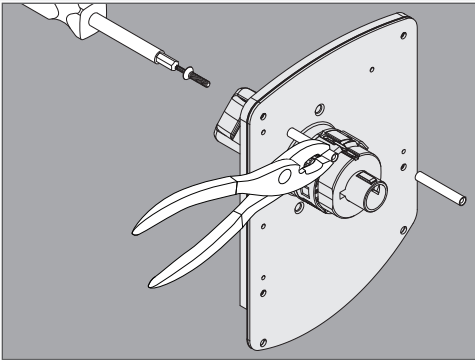
## Installation ou changement de cylindre

a. Enlevez la serrure de la porte.

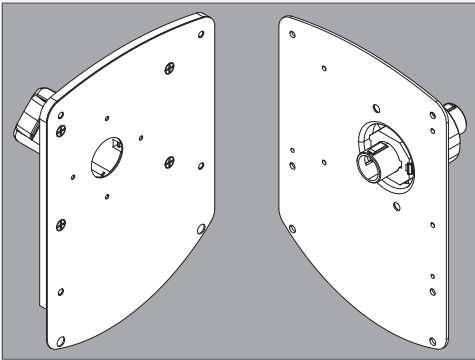
b. Châssis de garniture :

ND70, ND73, ND94, ND97

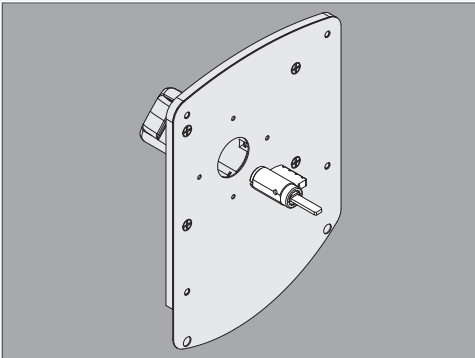
1. Retirez les viroles.



2. Séparez le châssis et la plaque auxiliaire de la garniture.

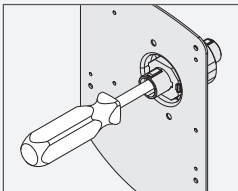


3. Retirez le cylindre.

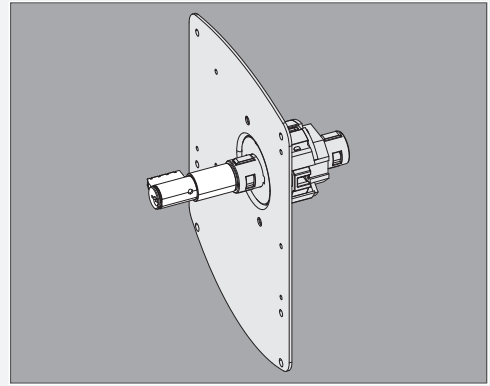


4. De l'**EXTÉRIEUR**, tournez la came de la clé **dans le sens contraire** des aiguilles d'une montre jusqu'à ce qu'elle s'arrête.

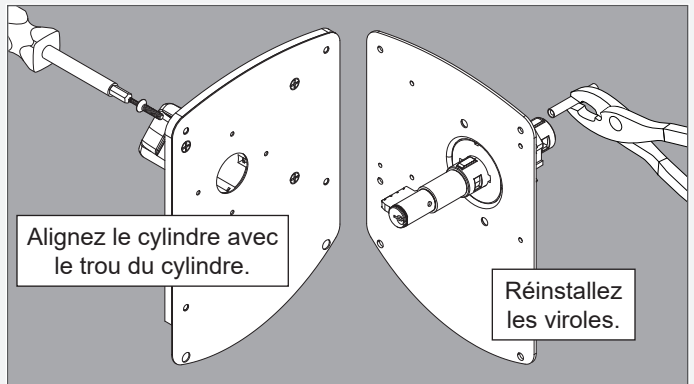
Confirmer la position de la clé:



5. Réinstallez l'entretoise et le cylindre.



6. Réinstallez le châssis et la plaque de fixation sur la garniture.



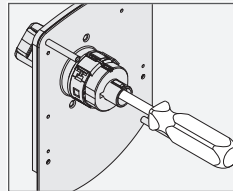
Alignez le cylindre avec le trou du cylindre.

Réinstallez les viroles.

### ND66

De l'**INTÉRIEUR**, tournez la came de la clé **dans le sens contraire** des aiguilles d'une montre jusqu'à ce qu'elle s'arrête.

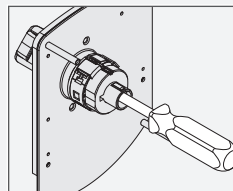
Confirmer la position de la came de la clé:



### ND60, ND75, ND95

De l'**INTÉRIEUR**, tournez la came de la clé **dans le sens contraire** des aiguilles d'une montre jusqu'à ce qu'elle s'arrête.

Confirmer la position de la came de la clé:



c. Réinstallez la serrure.

d. Vérifiez le bon fonctionnement du cylindre. Passez en revue les étapes, si nécessaire.