

9550 Series



The 9550 Senior Swing by LCN is an ADA door operator that is a two-in-one swing door operator. Senior swing operator when activated, opens doors automatically for wheelchair access, yet allows for manual operation for regular pedestrian traffic.

Features

Certifications	Grade 1 - ANSI A156.19, UL325/228, UL1998, ADA, 100 Hour Salt Spray, Meets BAA - Buy American Act
Handing	Handed
Door width	<ul style="list-style-type: none"> Minimum combined door width 52" - 98" (push) Minimum combined door width 60" - 98" (pull; double egress) Simultaneous pair - width per leaf 30" minimum - 48" maximum
Warranty	2 years

Fasteners	Machine Screws (MS)
Mounting	Simultaneous pair, surface mount, pull side, push side, double egress
Arms	<ul style="list-style-type: none"> 2 Regular Arms (push) 2 Standard Arms (pull) 1 Regular and 1 Standard (double egress)
Finishes/colors/ powder coat	<ul style="list-style-type: none"> 628 Aluminum, Anodized 710 Dark Brown, Anodized

Special templates | Customized installation templates or products may be available to solve non-standard applications. Contact LCN Product Support for assistance.

	Mounting	Handing	Finish	Cover	Arm function
Surface mount single door	Available	Available	Available	Available	Available
Surface mount simultaneous pair	Available	Available	Available	Available	Available
Surface mount independent pair	Available	Available	Available	Available	Available
Concealed single door	Available	Available	Available	Available	Available
Concealed simultaneous pair	Available	Available	Available	Available	Available
Concealed independent pair	Available	Available	Available	Available	Available
Handed	Available	Available	Available	Available	Available
Non-handed	Available	Available	Available	Available	Available
Standard anodized	Available	Available	Available	Available	Available
Metal	Available	Available	Available	Available	Available
Standard (single lever)	Available	Available	Available	Available	Available
Regular (double lever)	Available	Available	Available	Available	Available
Double egress (push/pull)	Available	Available	Available	Available	Available
Offset pivot arm	Available	Available	Available	Available	Available
Center pivot arm	Available	Available	Available	Available	Available

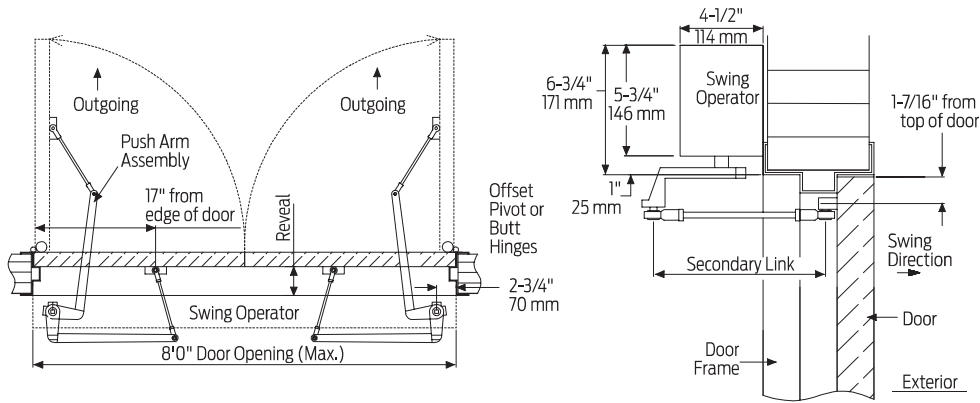
Introduction
 Product selection guide
 Pneumatic systems / Auto equalizers / 2610/4810/4820/4840/7900 Series
 Electrohydraulic systems / Auto equalizers / 6400/4630/4640 Series
 Electromechanical systems / Benchmark / 9130/9140/9150 Series
 Electromechanical systems / Senior Swing / 2810/2850/2860/9530/9540/9550/9560 Series
 Actuators and accessories

Mounting details

Top jamb simultaneous pair mounting

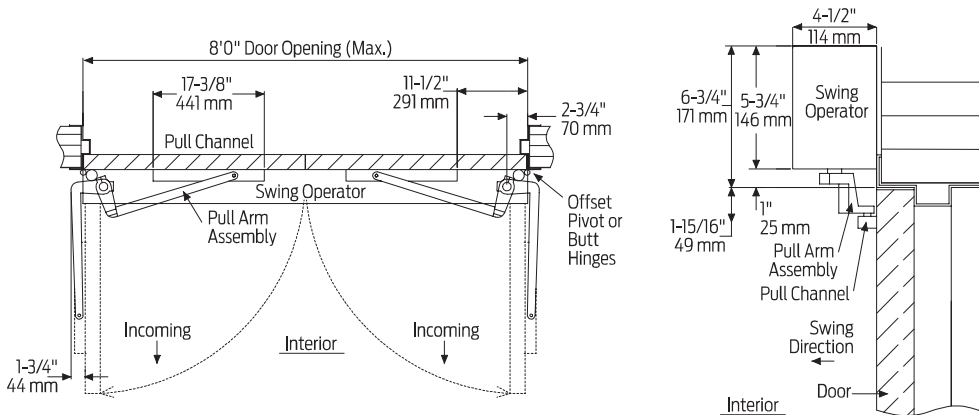
Offset pivot/butt hinge, center pivot, push

Note: Consult factory for all balanced door installations.



Offset pivot/ butt hinge, center pivot, pull

Note: Cannot be used with swing clear hinges, pocket pivots or balanced doors.



Butt hinges	Should not exceed 5" (127 mm) in width
Reveal for push	Should not exceed 10" (254 mm) for Regular Arm and 20" (508 mm) for Long Arm
Reveal for pull	Should not exceed 4" (102 mm)
Reveal	Double egress installations should not exceed 4" (102 mm)
Top rail	Minimum 2 3/4" (70 mm)
Head frame	<ul style="list-style-type: none"> Minimum 1 3/4" (44 mm) Face frame 6 3/4" (171 mm) total operator clearance
Opening and closing time	<ul style="list-style-type: none"> Variable by adjustments to the electronic control box Maximum hold open time adjustable up to approximately 32 seconds
System diagram	See pages 45 for typical system wiring and page 44 for electrical data
Maximum opening	Template allows 90 degree power opening and 90 degree manual opening

Notes:

- Push N' Go permits non-switch activation with a power boost providing additional latching force
- Electromechanical unit with microprocessor control
- Digital keypad for easy setup
- 72" header length is standard. Specify other length 52" - 98" (push), specify other length 60" - 98" (pull; double egress) (consult factory regarding this option)
- Adjustable hold open period of 2 - 32 seconds in automatic or manual mode
- Actuators available separately, see pages 100-117

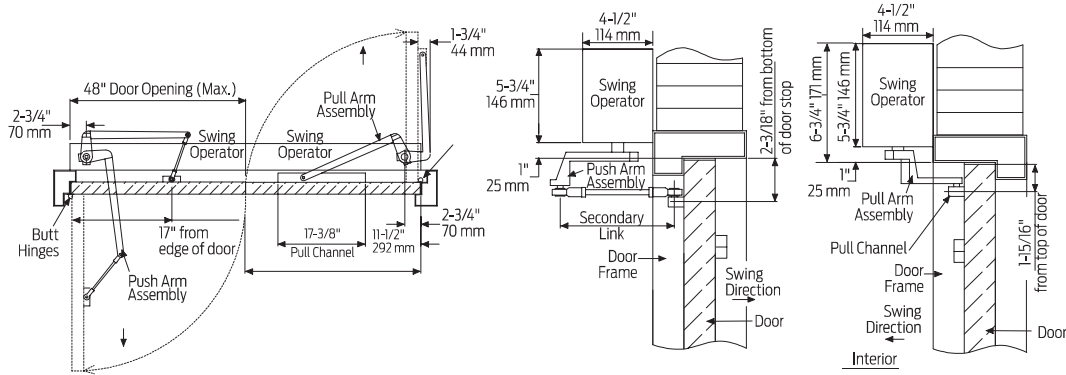
Mounting details

Top jamb simultaneous pair mounting

RH double egress

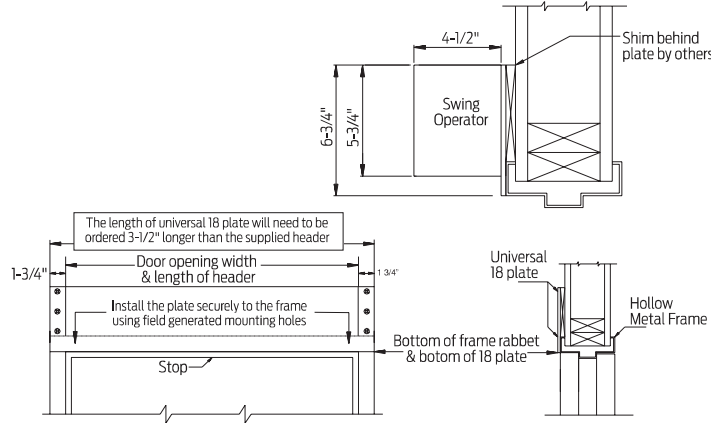
Double egress applications with safety sensors require LCN 9560 Series.

Note: Cannot be used with swing clear hinges, pocket pivots or balanced door.



Hollow metal frame

The 18 plate is 1/4" thick and will need to be ordered 3 1/2" longer than the header to allow for mounting the angle brackets to the vertical side jambs. See illustration below.



Note: Suggested installation.

Butt hinges	Should not exceed 5" (127 mm) in width
Reveal for push	Should not exceed 10" (254 mm) for Regular Arm and 20" (508 mm) for Long Arm
Reveal for pull	Should not exceed 4" (102 mm)
Reveal	Double egress installations should not exceed 4" (102 mm)
Top rail	Minimum 2 3/4" (70 mm)
Head frame	<ul style="list-style-type: none"> Minimum 1 3/4" (44 mm) Face frame 6 3/4" (171 mm) total operator clearance
Opening and closing time	<ul style="list-style-type: none"> Variable by adjustments to the electronic control box Maximum hold open time adjustable up to approximately 32 seconds
System diagram	See pages 45 for typical system wiring and page 44 for electrical data
Maximum opening	Template allows 90 degree power opening and 90 degree manual opening

Notes:

- Push N° Go permits non-switch activation with a power boost providing additional latching force
- Electromechanical unit with microprocessor control
- Digital keypad for easy setup
- 72" header length is standard. Specify other length 52" - 98" (push), specify other length 60" - 98" (pull; double egress) (consult factory regarding this option)
- Adjustable hold open period of 2 - 32 seconds in automatic or manual mode
- Actuators available separately, see pages 100-117

Introduction
 Product selection guide
 Pneumatic systems / Auto equalizers / 2610/4810/4820/4840/7900 Series
 Electrohydraulic systems / Auto equalizers / 6400/4630/4640 Series
 Electromechanical systems / Benchmark / 9130/9140/9150 Series
 Electromechanical systems / Senior Swing / 2810/2850/2860/9530/9540/9550/9560 Series
 Actuators and accessories

Accessories

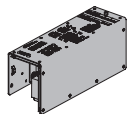
Motor gearbox



**9550-3454
Standard Motor Gearbox (MGB)**

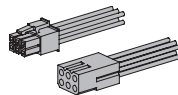
- Senior Swing
- Handed
- Driving mechanism for operator
- Provides maximum 15 lbs opening force

Control box



**9550-3462
Standard Controller (CTRL)**

- Electronic controlling device for Senior Swing



**9550-982
Companion Cable**

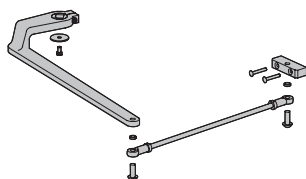
- Cable that allows one control box to run two motor gear boxes
- For use with Senior Swing

Arm



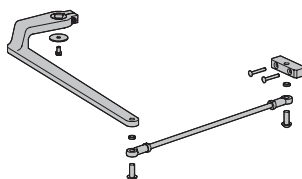
**9550-3077PLCM
Standard Arm Assembly with Track Roller (STDTRKARM2)**

- Handed
- Includes 3077 regular arm assembly, 3038 track, and 3034 track roller



**9550-3077L
Long Arm (LONG)**

- Handed
- Includes 77 main arm assembly and 79LR linkage assembly



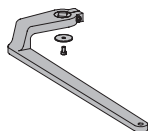
**9550-3077
Regular Arm (REGARM)**

- Handed
- Includes 77 main arm assembly and 79 linkage assembly



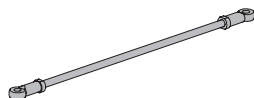
**9550-3077T
Standard Arm (STDTRKARM)**

- Handed
- Track roller not included



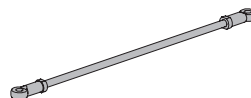
**9550-77
Main Arm**

- Handed
- Attaches to motor gearbox



**9550-79
Linkage Assembly**

- 15"
- Threaded rod attaches to door
- Extends from main arm



**9550-79LR
Linkage Assembly**

- 32"
- Threaded long rod attaches to door
- Extends from main arm
- Used for reveal 10" to 20"

Track



**9550-3038
Track**

- Non-handed
- Standard



**9550-73
Track End Cap**

- Black plastic end caps



**9550-3034
Roller**

- Quiet low friction roller assembly