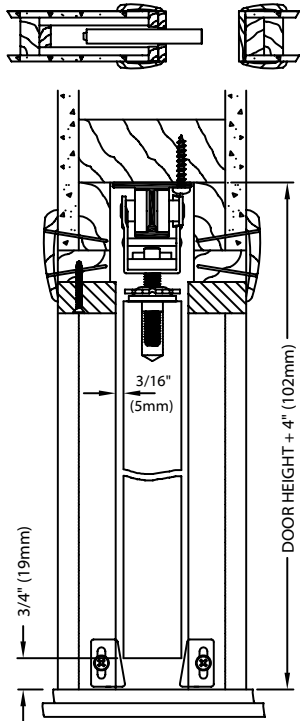




ORDERING DATA



200PD

| Item No. | Max Door Size | Lbs./Case |
|----------|---------------|------------|
| 200481DR | One 2'0" Door | Bulk Only/ |
| 200601DR | One 2'6" Door | 5/Case |
| 200721DR | One 3'0" Door | 7/1 |
| 200961DR | One 4'0" Door | 9/1 |

200PD Components

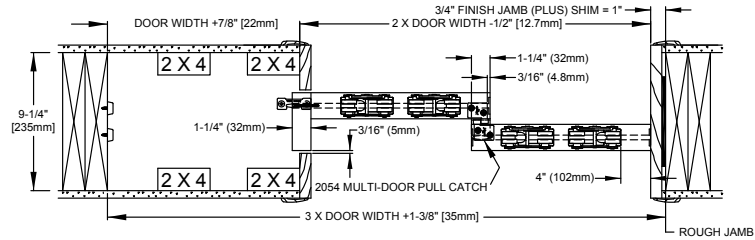
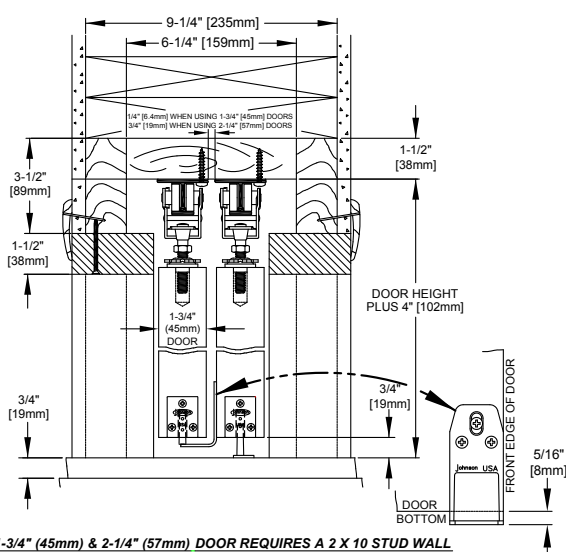
| Qty | Part # |
|-----|--------------|
| 1 | 200 Track |
| 2 | 2020 Hangers |
| 1 | 1550 Guides |
| 1 | 1513 Bumper |

A deluxe commercial grade hardware set. Can be used for pocket doors or in combination with itself to make special installations of sliding doors. Heavy duty I-beam aluminum track. Four wheel (1" dia.) ball bearing hangers. Plated steel parts. Tracks can be cut down for smaller applications.

200PD Hardware Set



ORDERING DATA



| Item No. | Max Door Size | Lbs./Case |
|----------|-----------------------------|-----------|
| 20BP0722 | Two 2'0" Doors 1 3/4" Thick | Bulk Only |
| 20BP0723 | Two 2'0" Doors 2 1/4" Thick | 5/Case |
| 20BP0962 | Two 2'8" Doors 1 3/4" Thick | Bulk Only |
| 20BP0963 | Two 2'8" Doors 2 1/4" Thick | 5/Case |
| 20BP1062 | Two 3'0" Doors 1 3/4" Thick | Bulk Only |
| 20BP1063 | Two 3'0" Doors 2 1/4" Thick | 5/Case |
| 20BP1442 | Two 4'0" Doors 1 3/4" Thick | Bulk Only |
| 20BP1443 | Two 4'0" Doors 2 1/4" Thick | 5/Case |

200BP

An extra heavy duty bypass commercial pocket door hardware set. This set can carry heavy duty solid core doors up to 400 lbs each. No bottom track required. It utilizes trackless guide posts that allow the doors to guide each other. The tracks are precision extruded heavy gauge aluminum I-beam track that will not allow the wheels to "jump" the track. It utilizes fully adjustable/removable door hangers for precision fit and finish. The wheels themselves have smooth rolling nylon exteriors with individually caged ball-bearings around the axle. This is quite simply our best line of hardware that we make.

For converging doors, 2 doors going right and 2 doors going left, meeting in the middle, just order two hardware sets. One for each side.

