

# 4030 Series



The 4030 is a cast iron, universal closer designed specifically for doors in moderate traffic conditions. This versatile closer compliments the rest of the heavy duty 4000 Series and offers the choice of three mountings and multiple arm options.

## Features

<b>Certifications</b>	Grade 1 - ANSI A156.4, UL 10C, ADA, 100 hour salt spray, meets BAA - Buy American Act
<b>Body construction</b>	<ul style="list-style-type: none"> <li>Cast iron body</li> <li>Full complement bearing</li> <li>1 7/8" diameter piston</li> <li>1/2" diameter single heat treated pinion journal</li> </ul>
<b>Fluid</b>	All weather fluid
<b>Handing</b>	Non-handed
<b>Templating</b>	Peel-n-Stick templates - 1 23/32" x 6 17/64" mounting hole pattern
<b>Size</b>	Adjustable spring size 1-4
<b>Warranty</b>	30 years

<b>Cover</b>	Metal Cover (MC), standard
<b>Fasteners</b>	Self reaming and tapping screws (SRT)
<b>Mounting</b>	Hinge (pull side), top jamb (push side), parallel arm (push side)
<b>Arms</b>	Regular arm
<b>Finishes/colors/ powder coat</b>	<ul style="list-style-type: none"> <li>622 Matte black</li> <li>689 Aluminum</li> <li>690 Statuary bronze</li> <li>691 Light bronze</li> <li>693 Black</li> <li>695 Dark bronze</li> <li>696 Brass</li> <li>Custom colors optional</li> </ul>
	<ul style="list-style-type: none"> <li>Optional SRI primer - powder coat only</li> <li>Optional plated finishes</li> </ul>

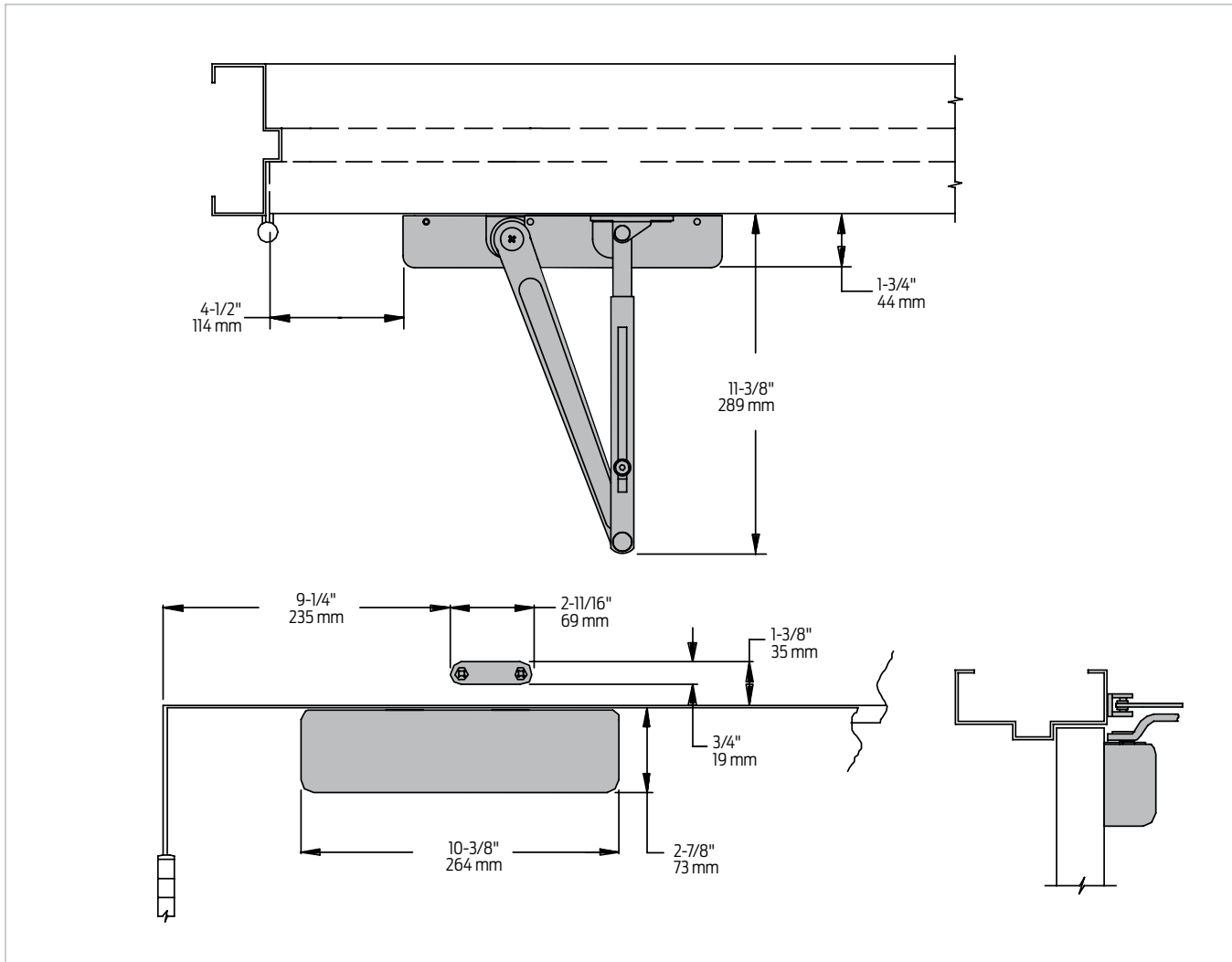
**Special templates** | Customized installation templates or products may be available to solve non-standard applications. Contact LCN Product Support for assistance.

Mounting		Finish		Cover		Cylinder		Arm function*											
Hinge (pull) side	Top jamb (pull)	Top jamb (push)	Parallel arm	Stop face	Powder coat	Plated	Plastic	Metal	Non-handed	Non-sized	Accessibility	Delay Action***	CYLAVB**	180°	180°	110°	100°	100°	
■ Available	■ Not available	♿ Closer available with less than 5.0 lbs. opening force on 36" door. * Maximum opening/hold open point with standard template. ** Advanced Variable Back Check. *** Delay action for 4040XP incorporates standard 4041 cylinder.																	

Introduction  
Product selection guide  
4010/4010T Series  
4020/4020T Series  
4030/4030T Series  
4040XP/4040XPT Series  
4050A/4050AT Series  
4110/4110T Series  
4000T Series

## Mounting details

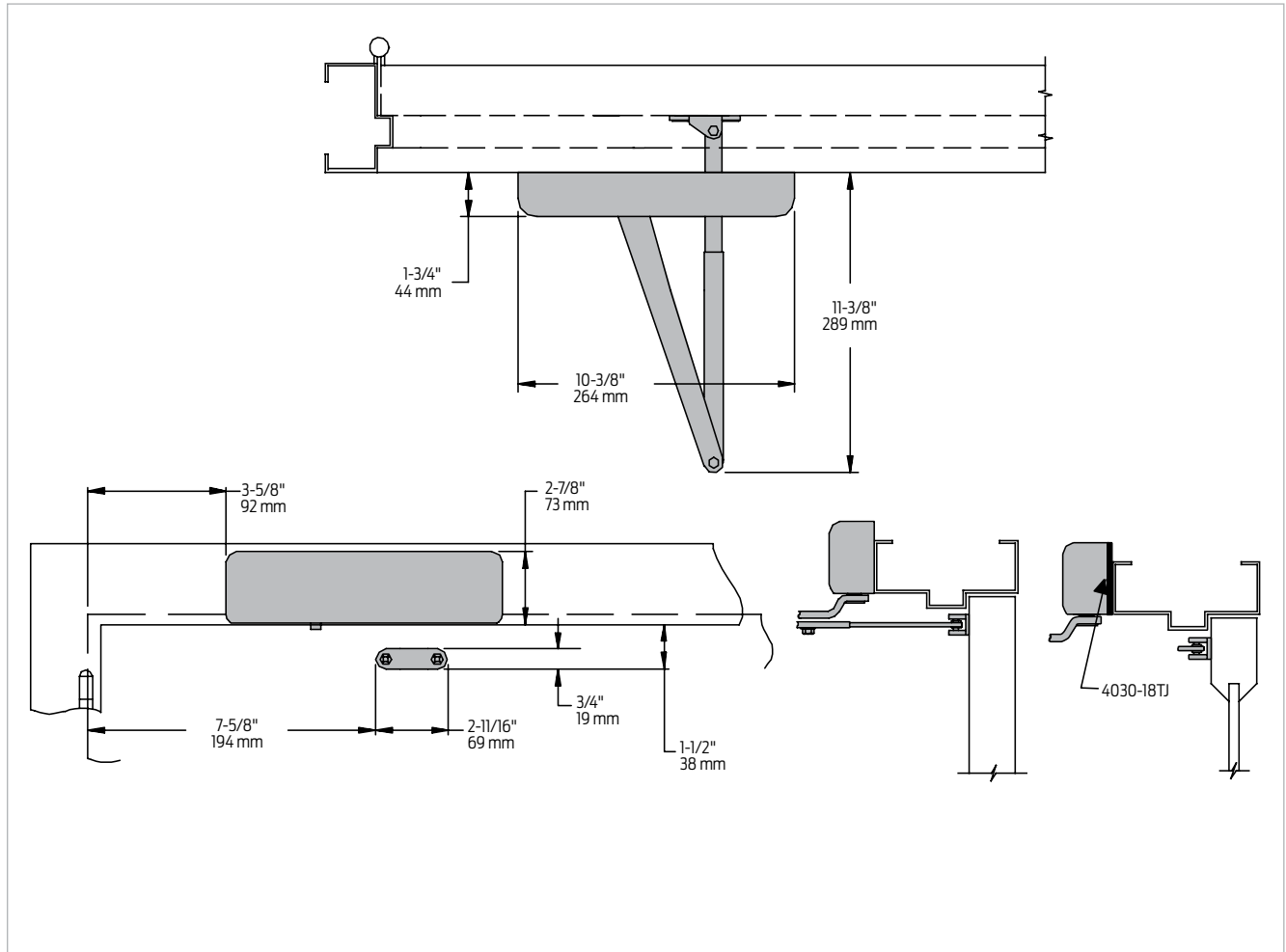
### Hinge (pull) side mounting



Butt hinges	Should not exceed 5" (127 mm) in width
Auxiliary stop	Recommended at hold open point or where a door cannot swing 180°
Reveal	Should not exceed $\frac{3}{16}$ " (5 mm) for regular arm or $\frac{3}{16}$ " (5 mm) for Hold Open Arm
Top rail	Requires $2\frac{7}{8}$ " (73 mm) minimum
Clearance	$1\frac{3}{4}$ " (44 mm), behind door required for installation
Maximum opening	<ul style="list-style-type: none"> <li>Can be templated for 180°</li> <li>Hold open points up to maximum opening with Hold Open Arm</li> </ul>

## Mounting details

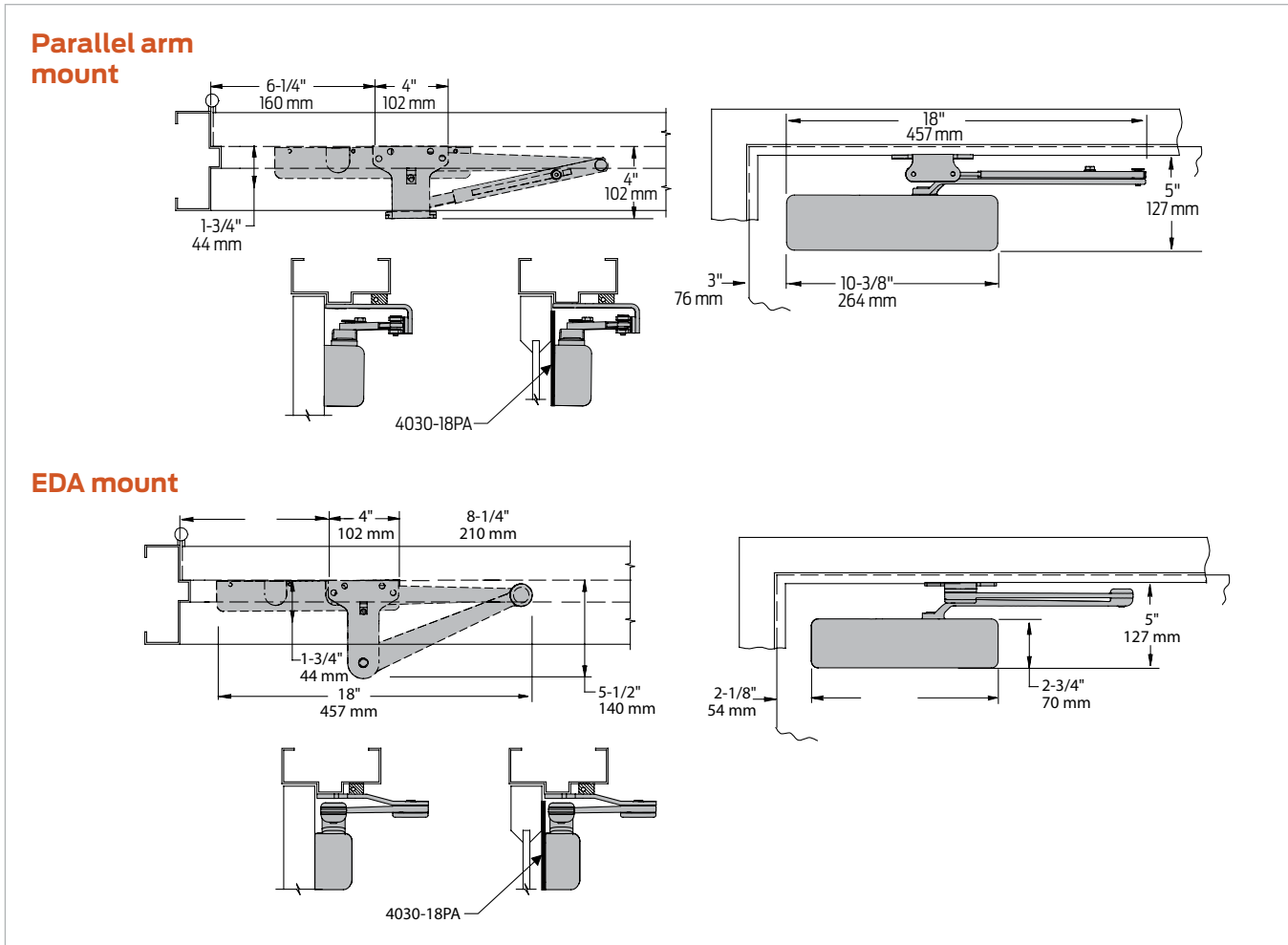
### Top jamb (push) side mounting



<b>Butt hinges</b>	Should not exceed 5" (127 mm) in width
<b>Auxiliary stop</b>	Recommended at hold open point or where the door cannot swing 180°
<b>Reveal</b>	<ul style="list-style-type: none"> <li>Up to 3 1/2" (89 mm) allows 180° opening</li> <li>Up to 7 1/2" (191 mm) with long arm allows for 140° opening</li> </ul>
<b>Top rail</b>	Requires 1 1/2" (38 mm) minimum from stop
<b>Head frame</b>	<ul style="list-style-type: none"> <li>Less than 2 1/4" (57 mm) requires plate, 4030-18TJ</li> <li>Plate requires 1 1/2" (38 mm) minimum</li> </ul>
<b>Maximum opening</b>	<ul style="list-style-type: none"> <li>Can be templated for 180°</li> <li>Hold open points up to maximum opening with Hold Open Arm (H)</li> </ul>

## Mounting details

### Parallel arm (push side) and EDA mounting



Butt hinges	Should not exceed 5" (127 mm) in width
Auxiliary stop	Recommended at hold open point or where a door cannot swing maximum opening
Clearance	<ul style="list-style-type: none"> <li>For 4030-62PA shoe is 4" (102 mm) from door face</li> <li>EDA arm is 5 1/2" (140 mm) from door face</li> </ul>
Top rail	<ul style="list-style-type: none"> <li>Less than 5" (127 mm) measured from the stop requires plate 4030-18PA</li> <li>Plate requires 1 3/4" (44 mm) minimum</li> </ul>
Stop width	Minimum 1" (25 mm)
Head frame	Flush or single rabbetted requires PA shoe adapter, 4030-419
Blade stop	Clearance, requires 1/2" (13 mm) blade stop spacer, 4030-61
Auxiliary shoe	<ul style="list-style-type: none"> <li>4030-62A allows installation of regular arm with overhead holder/stop</li> <li>Special templating required</li> </ul>
EDA arm	Requires shoe support, 4030-30 for fifth screw anchorage where reveal is less than 3 1/16" (78 mm)
Maximum opening	<ul style="list-style-type: none"> <li>Regular or Hold Open Arms can be templated for 180°</li> <li>EDA template allows 110° maximum opening</li> <li>Hold open points up to maximum opening with Hold Open Arm (H)</li> </ul>

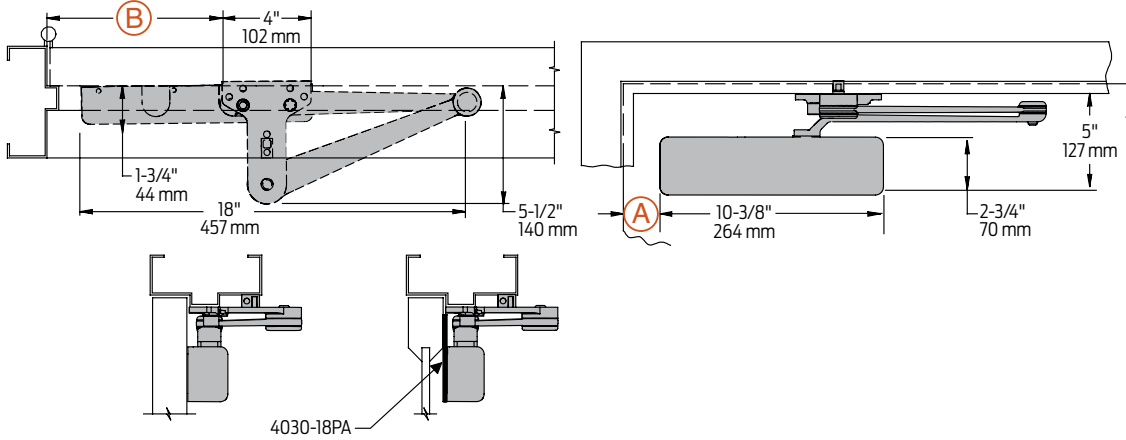
**Notes:**

- 4030 closers ordered with EDA arms include 4030-201 fifth hole spacer to support the shoe
- Regular or Hold Open Arm mounting requires PA shoe. 4030-62PA for Regular or Hold Open Arms; Add prefix "P" to closer description (eg. P4031.)
- P4031 closer includes 4030-201 fifth hole spacer to support PA shoe

# Mounting details

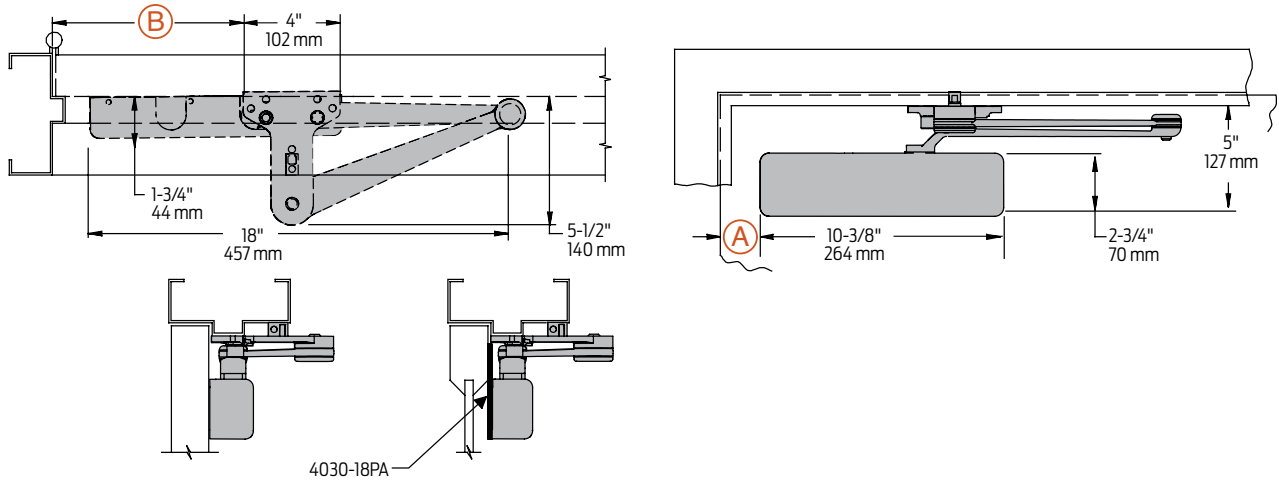
## CUSH and Spring CUSH mounting

### CUSH mount



### Spring CUSH mount

Spring CUSH dead stop points are approximately 5° greater than templated stop point.



<b>Clearance</b>	For CUSH or SCUSH shoe is 5 1/2" (140 mm) from door face		
<b>Head frame</b>	Flush or rabbeted requires CUSH flush panel adapter, 4030-419		
<b>CUSH or SCUSH Arm</b>	Requires shoe support, 4030-30 for fifth screw anchorage where reveal is less than 3 1/16" (78 mm)		
<b>Maximum opening</b>	CUSH and SCUSH arms can be templated for maximum opening/hold open point at:		
	85°:	A = 3 5/8" (92 mm) B = 9 3/4" (248 mm)	90°: A = 3" (76 mm) B = 9 1/8" (232 mm)
			100°: A = 1 7/8" (48 mm) B = 8" (203 mm)

1. 100° mounting will not work with swing clear hinges.

Note: 4031 closers ordered with CUSH or SCUSH arms include 4030-201 fifth hole spacer to support the shoe.

Introduction  
Product selection guide  
4010/4010T Series  
4020/4020T Series  
4030/4030T Series  
4040XP/4040XP Series  
4050A/4050AT Series  
4110/4110T Series  
4000T Series

## Accessories

### Cylinders



**4031-3071**  
**Cast iron cylinder assembly (CYL)**

- Non-handed
- Standard

### Covers



**4030-72MC**  
**Metal Cover (MC)**

- Non-handed

### Arms



**4030-3077**  
**Regular Arm (REGARM)**

- Non-handed
- Mounts hinge side or top jamb
- P4031 closer includes PA shoe, 4030-62PA is required for parallel arm mounting



**4030-3077LD**  
**Light Duty Arm (LD)**

- Non-handed
- Mounts hinge side, top jamb or parallel arm (62PA required)
- Optional



**4030-3077L**  
**Long Arm (LONG)**

- Non-handed
- Includes long rod and shoe, 4030-79LR for top jamb mount with deep reveals
- Optional



**4030-3049**  
**Hold Open Arm (H)**

- Non-handed
- Mounts hinge side, top jamb or parallel arm (62PA required)
- Hold open adjustable at shoe
- Optional



**4030-3049L**  
**Hold Open Long Arm (HLONG)**

- Non-handed
- Includes long head and tube, 4030-3048L for top jamb mount with deep reveals
- Optional



**4030-3077EDA**  
**Extra Duty Arm (EDA)**

- Non-handed
- Extra duty arm features solid forged steel main and forearm for potentially abusive installations
- Optional



**4030-3049EDA**  
**Hold Open Extra Duty Arm (HEDA)**

- Handed
- Arm, provides hold open function adjustable at shoe
- Optional



**4030-3077CNS**  
**Cush-n-Stop Arm (CUSH)**

- Non-handed
- Solid forged steel main arm and forearm with stop in soffit shoe
- Optional



**4030-3049CNS**  
**Hold Open Cush-n-Stop Arm (HCUSH)**

- Non-handed
- Provides hold open function with templated stop/hold open points
- Handle controls hold open function
- Optional



**4030-3077SCNS**  
**Spring Cush-n-Stop Arm (SCUSH)**

- Non-handed
- For abusive applications
- Features solid forged steel main arm and forearm with spring loaded stop in the soffit shoe
- Optional



**4030-3049SCNS**  
**Spring Hold Open Cush-n-Stop Arm (SHCUSH)**

- Non-handed
- For abusive applications
- Features solid forged steel main arm and forearm with spring loaded stop in the soffit shoe
- Handle controls hold open function
- Optional

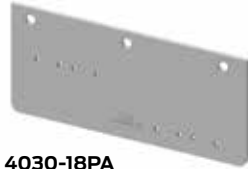
# Accessories

## Installation accessories



**4030-18TJ Plate**

- Required for top jamb mounting where head frame is less than 2 1/4" (57 mm) or flush ceiling condition exists
- Requires 1 1/2" (38 mm) minimum



**4030-18PA Plate**

- Required for parallel arm mounting where top rail is less than 5" (127 mm), measured from the stop
- Requires 1 3/4" (44 mm) minimum



**4030-30 CUSH shoe support**

- Provides anchorage for fifth screw used with CUSH arms where reveal is less than 3 1/16" (78 mm)



**4030-61 Blade stop spacer**

- Lowers parallel arm shoe to clear 1/2" (13 mm) blade stop



**4030-62A Auxiliary shoe**

- Requires a top rail of 7" (178 mm)
- Replaces -62PA for parallel arm mounting of regular arm with some overhead holder/stop
- Optional



**4030-419 PA flush panel adapter**

- Provides horizontal mounting surface for PA or CUSH shoe on single rabbeted or flush frame



**4030-62PA PA shoe**

- Required for parallel arm mounting

Introduction

Product selection guide

4010/4010T Series

4020/4020T Series

4030/4030T Series

4040XP/4040XPT Series

4050A/4050AT Series

4110/4110T Series

4000T Series

## Ordering information

### How-to-order 4030 Series closers

#### 1. Select finish

- Standard powder coat \_\_\_\_\_  
Matte Black (622), Aluminum (689), Dark Bronze (695), Statuary Bronze (690), Light Bronze (691), Black (693), or Brass (696)

#### Closer options

##### Finish

- Custom powder coat (RAL) \_\_\_\_\_
- Plated finish \_\_\_\_\_
- SRI primer (use with powder coat finishes only)

##### Arm

- Regular Arm with Parallel Arm Bracket (RWPA)
- Regular Arm with 62A Auxiliary Shoe (RW62A)
- Long Arm (LONG)
- Hold Open Arm (H)
- Hold Open with Parallel Arm Bracket (HWP)
- Hold Open Long Arm (HLONG)
- Light Duty Arm (LD)
- Light Duty Arm with Auxiliary Shoe (LD62A)
- Light Duty Arm with Parallel Arm Shoe (LDP)
- Light Duty Long Arm (LDL)
- Extra Duty Arm (EDA)
- Hold Open Extra Duty Arm (HEDA)  
(specify right or left hand)

#### Closer will be shipped with:

- Standard cylinder
- Standard metal cover
- Regular arm
- Wood and self tapping machine screw pack  
(unless options listed below are selected)

- Cush-n-Stop Arm (CUSH)
- Hold Open Cush-n-Stop Arm (HCUSH)
- Spring Cush-n-Stop Arm (SCUSH)
- Spring Hold Open Cush-n-Stop Arm (SHCUSH)

#### Optional screw packs

- Through Bolt<sup>1</sup> Wood and Machine Screws (TBWMS)

#### Installation accessories

- Plate, 4030-18TJ
- Plate, 4030-18PA
- CUSH shoe support, 4030-30
- Blade stop spacer, 4030-61
- Auxiliary shoe, 4030-62A
- PA flush panel adapter, 4030-419

#### Special template

- ST- \_\_\_\_\_

1. Specify door thickness if other than 1 3/4".

### Table of sizes

- Non-sized 4031 cylinder is adjustable from sizes 1 to 4 and is shipped set to size 3

#### Exterior (and vestibule) door width



#### Interior door width




➔ Indicates recommended range of door width for closer size.

#### Reduced opening force 4030 Series closers

**CAUTION!** Any manual door closer, including those certified by BHMA to conform to ANSI Standard A156.4, that is selected, installed and adjusted based on ADA or other reduced opening force requirements may not provide sufficient power to reliably close and latch a door.

Refer to Automatic Operators catalog for information on systems that meet reduced opening force requirements without effecting closing power.

	Door width	36"	42"	48"
	8.5* lbs.	4031	4031	4031
	5.0* lbs.	4031	4031	4031

\* Maximum opening force.