

9540 Series



The 9540 Senior Swing by LCN is an ADA door operator that is a two-in-one swing door operator. Senior Swing operator when activated, opens doors automatically for wheelchair access, yet allows for manual operation for regular pedestrian traffic.

Features

Certifications	Grade 1 - ANSI A156.19, UL325/228, UL1998, ADA, 100 Hour Salt Spray, Meets BAA - Buy American Act
Fluid	All Weather Fluid
Handing	Handed
Door width	<ul style="list-style-type: none"> Combined width min 33" - 48" Single door - width per leaf 33" minimum to 48" maximum
Warranty	2 years

Fasteners	Machine Screws (MS)
Mounting	Single door, surface mount, offset pivot, butt hinge, push side
Arms	Regular Arm (3077)
Finishes/colors/powder coat	<ul style="list-style-type: none"> 628 Aluminum, Anodized 710 Dark Brown, Anodized

Special templates | Customized installation templates or products may be available to solve non-standard applications. Contact LCN Product Support for assistance.

Mounting	Handing	Finish	Cover	Arm function
Surface mount single door	Handed	Standard anodized	Standard (single lever)	Regular (push/pull)
Surface mount simultaneous pair	Non-handed	Metal	Regular (double lever)	Offset egress (push/pull)
Surface mount independent pair			Offset pivot arm	Center pivot arm
Concealed single door				
Concealed simultaneous pair				
Concealed independent pair				

■ Available
■ Not available

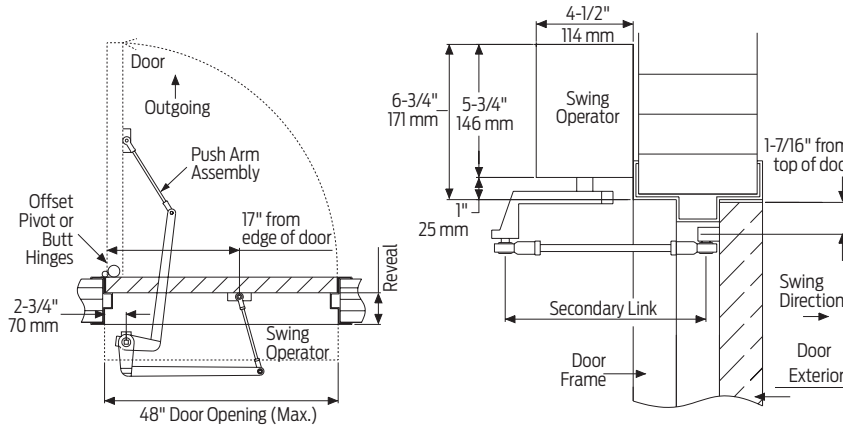
Introduction
 Product selection guide
 Pneumatic systems
 Auto equalizers
 2610/4810/4820/4840/7900 Series
 Electrohydraulic systems
 Auto equalizers
 6400/4630/4640 Series
 Electromechanical systems
 Benchmark
 9130/9140/9150 Series
 Electromechanical systems
 Senior Swing
 2810/2850/2860/9530/9540/9550/9560 Series
 Actuators and accessories

Mounting details

Top jamb single door mounting

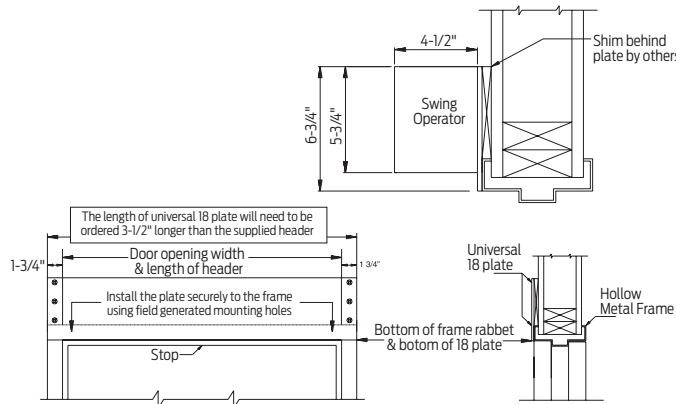
Offset pivot/butt hinge, center pivot, push

Note: Consult factory for all balance door installations.



Hollow metal frame

The 18 plate is 1/4" thick and will need to be ordered 3 1/2" longer than the header to allow for mounting the angle brackets to the vertical side jambs. See illustration below.



Note: Suggested installation.

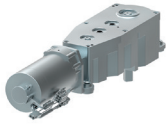
Butt hinges	Should not exceed 5" (127 mm) in width
Reveal	Push installations should not exceed 10" (254 mm) for regular arm and 20" (508 mm) for long arm
Top rail	Minimum 2 3/4" (70 mm)
Head frame	Minimum 1 3/4" (44 mm); face frame 6 3/4" (171 mm) total operator clearance
Opening and closing time	<ul style="list-style-type: none"> Variable by adjustments to the electronic control box Maximum hold open time adjustable up to approximately 32 seconds
System diagram	See page 45 for typical system wiring and page 44 for electrical data
Maximum opening	Template allows 90 degree power opening and 90 degree manual opening

Notes:

- Push 'N Go permits non-switch activation with a power boost providing additional latching force
- Electromechanical unit with microprocessor control
- Digital keypad for easy setup
- 36" header length is standard. Specify 33" - 48" max
- Double Door Header available up to 98", specify other length 49"- 98" max
- Consult factory regarding this option
- Adjustable hold open period of 2 - 32 seconds in automatic or manual mode
- Actuators available separately, see pages 100-117

Accessories

Motor gearbox



- 9540-3454
Standard Motor Gearbox (MGB)**
- Senior Swing
 - Handed
 - Driving mechanism for operator
 - Provides maximum 15 lbs opening force

Control box



- 9540-3462
Standard controller (CTRL)**
- Electronic controlling device for Senior Swing

Brackets



- 9540-275
Mounting Bracket**
- Motor gearbox
 - Mounting bracket for 2 3/4" offset pivot or butt hinge installations
 - Front bracket

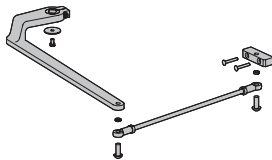


- 9540-3018
Rear Mounting Bracket**
- Motor gearbox mounting bracket
 - Rear bracket

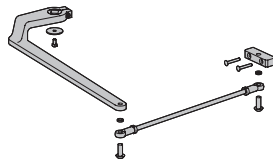


- 9540-334-1
Angle Brackets (HLB)**
- Mounting bracket for surface applications (includes 2 mounting brackets)

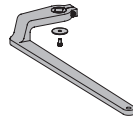
Arm



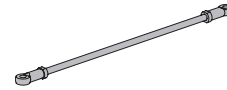
- 9540-3077
Regular Arm (REGARM)**
- Handed
 - Includes 77 main arm assembly and 79 linkage assembly



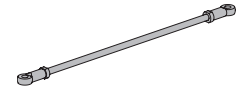
- 9540-3077L
Long Arm (LONG)**
- Handed
 - Includes 77 main arm assembly and 79LR linkage assembly



- 9540-77
Main Arm**
- Handed
 - Attaches to motor gearbox



- 9540-79
Linkage Assembly - 15"**
- Threaded rod attaches to door
 - Extends from main arm

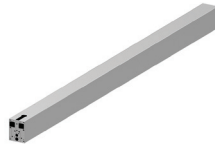


- 9540-79LR
Linkage Assembly - 32"**
- Threaded long rod attaches to door
 - Extends from main arm
 - Used for reveal 10" to 20"

Header



- 9540-3572HL
Standard Mounting Header (HDR)**
- Single door, single operator
 - Specify length 33" to 48" maximum
 - Standard



- 9540-3572DD
Double Door Header (HDR2)**
- Double door, single operator
 - Specify length 49" to 98" maximum
 - Standard

End cap



- 9540-334
Header End Caps**
- With openings for wiring



- 9540-334-2
Dress plates (HLD)**
- Metal finish end cap

Installation accessories



- 9540-11A
Spindle Plate**
- Hides bottom of motor gearbox
 - Completes header box
 - Cutout allows for motor gearbox shaft
 - For 2 3/4" offset pivot or butt hinge installations



- 9540-12
Filler Plate Blank**
- Completes length of header box (specify length)



- 9540-18
Mounting Plate**
- For standard hollow metal door frames
 - Specify length 36 1/2" to 101 1/2" maximum when using angle brackets
 - Specify length 33" to 98" maximum when using dress plates
 - Optional

Note: The length of a universal 18 plate will need to be ordered 3 1/2" longer than the supplied header when using angle brackets.

Introduction
 Product selection guide
 Pneumatic systems
 Auto equalizers
 2610/4810/4820/4840/7900 Series
 Electrohydraulic systems
 Auto equalizers
 6400/4630/4640 Series
 Electromechanical systems
 Benchmark
 9130/9140/9150 Series
 Electromechanical systems
 Senior Swing
 2810/2850/2860/9530/9540/9550/9560 Series
 Actuators and accessories

Ordering information

How-to-order 9540 Series operators

1. Specify hand

- Right hand (RH)
- Left hand (LH)

2. Specify header/length

- Standard Mounting Header (HDR)
(Specify length 33" to 48")
- Double Door Header (HDR2)
(Specify length 49" to 98")

3. Select finish

- Standard anodized finish _____
Aluminum, Clear Anodized (628)
or Dark Bronze, Anodized (710)

Closer will be shipped with:

- Standard motor gearbox
- Standard control box
- Header (at specified length, 36" standard)
- Regular Arm (3077)
- 2 ³/₄" pivot point
- Machine screws
(unless options listed below are selected)

Operator options

Mounting plate

- Plate, ____ (Specify Length 33" to 101 1/2")

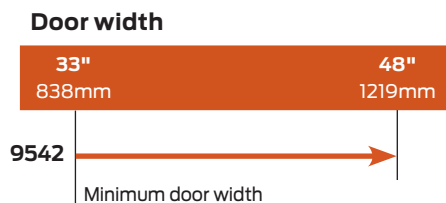
Arm

- Long Arm (LONG)

Door Position Switch

- Door Position Switch (DPS)
- The 9540DPS has a Door Position Switch (8310-805C) installed into the arm and spindle plate

Table of sizes



→ Indicates recommended range of door width for operator.
Note: For all Senior Swing Series. Single Door - Width per leaf 33" minimum, 48" maximum.