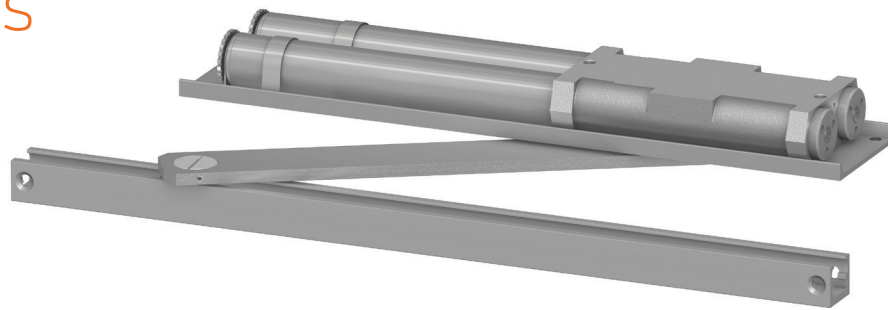


LCN®

# Concealed closers



# 6030 Series



The concealed 6030 Series PACER® is a heavy duty double acting closer designed to fit in a narrow, minimum 1 3/4" header. The single lever arm and roller assembly provides smooth, quiet door control and the choice of finishes and track functions meet virtually all architectural requirements.

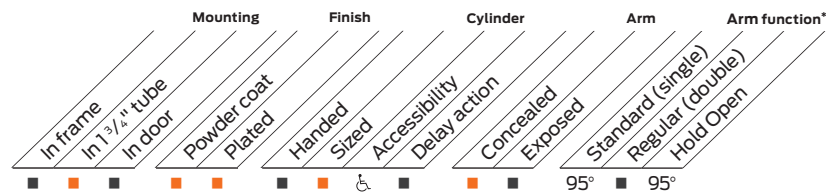
## Features

<b>Certifications</b>	Grade 1 - ANSI A156.4, UL 10C, ADA, 100 hour salt spray, meets BAA - Buy American Act
<b>Body construction</b>	<ul style="list-style-type: none"> <li>▪ Cast iron body</li> <li>▪ Full complement bearing</li> <li>▪ 1 1/8" diameter piston</li> <li>▪ 1/16" diameter double heat treated pinion journal</li> </ul>
<b>Fluid</b>	All weather fluid
<b>Handing</b>	Non-handed
<b>Size</b>	Sized 1-5
<b>Warranty</b>	15 years

<b>Fasteners</b>	Wood Screws and Torx Security Screws (optional)
<b>Mounting</b>	Concealed (in tube); double acting
<b>Arms</b>	Standard arm with track
<b>Finishes/colors/ powder coat</b>	<ul style="list-style-type: none"> <li>▪ 689 Aluminum</li> <li>▪ 690 Statuary bronze</li> <li>▪ 691 Light bronze</li> <li>▪ 693 Black</li> <li>▪ 695 Dark bronze</li> <li>▪ 696 Brass</li> <li>▪ Custom colors optional</li> </ul>
	<ul style="list-style-type: none"> <li>▪ Optional SRI primer - powder coat only</li> <li>▪ Optional plated finishes</li> </ul>

### Special templates

Customized installation templates or products may be available to solve non-standard applications. Contact LCN Product Support for assistance.



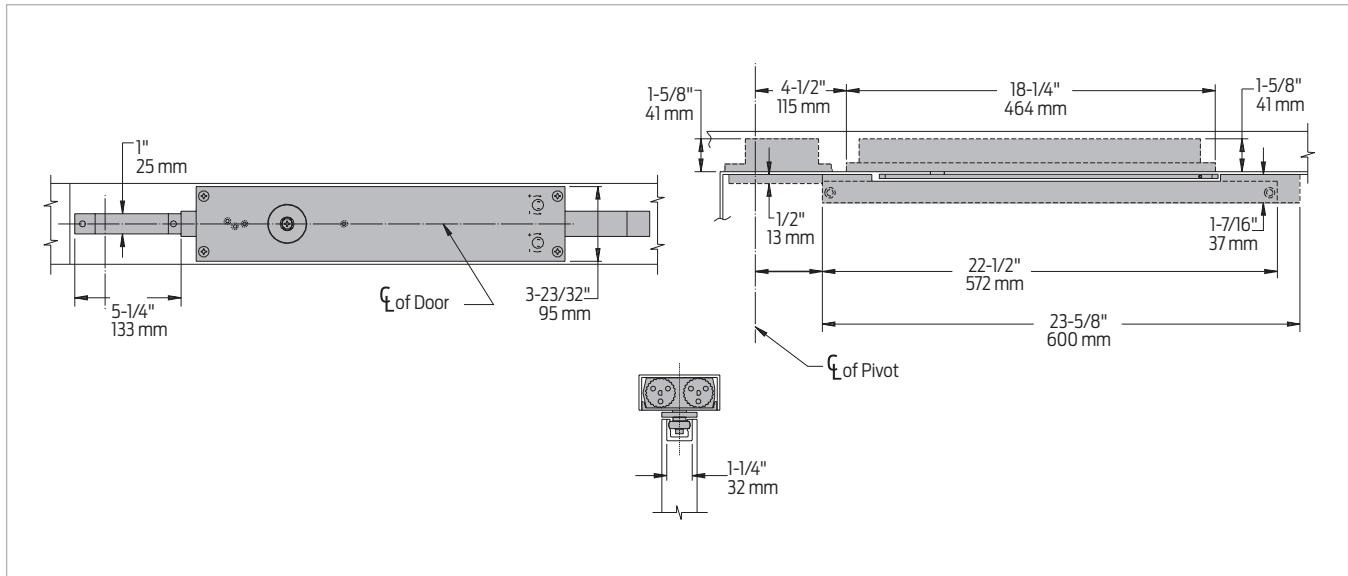
■ Available  
 ■ Not available

♿ Closer available with less than 5.0 lbs. opening force on 36" door.  
 \* Maximum opening/hold open point with standard template. See individual closer series for degrees of opening per installation.



## Mounting details

### Hinge (pull) side mounting



Auxiliary stop	Recommended where a door cannot swing 95°
Center pivot set	Must be used but ordered separately
Top rail	<ul style="list-style-type: none"> <li>1 7/16" (36 mm) mortise required</li> <li>3/8" (10 mm) cutout required at top of the door, both sides</li> </ul>
Door thickness	1 3/4" (44 mm) minimum
Door width	30" (762 mm) minimum with 1 3/4" (44 mm) pivot centers
Centering adjustment	Centering is provided by rotating the track roller to center the door in the opening
Wood frame	<ul style="list-style-type: none"> <li>Installation simplified by wood mounting clip set, 6030-416</li> <li>Consult product support for special template</li> </ul>
Maximum opening	<ul style="list-style-type: none"> <li>Center pivot template allows 95°</li> <li>Adjustable hold open points from 85° to 95°, with Hold Open Track (H)</li> </ul>

**Notes:**

- For interior or exterior doors
- Double acting cylinder in cased frame
- Concealed arm and track in door top rail
- Center pivots only

## Accessories

### Cylinders



**6031(2)(3)(4)(5)-3071**  
**Cast iron cylinder assembly with mounting plate (CYL)**

- Non-handed
- With mounting plate
- Standard

### Arms



**6030-3077T**  
**Standard Arm (STDTRKARM)**

- Non-handed
- 5/16" (8 mm) thick arm
- Track roller not included with arm

### Tracks



**6030-3038B**  
**Track with Bumper (BUMP)**

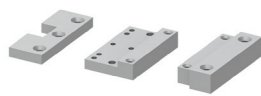
- Non-handed
- Non hold open
- Will accept hold open clip
- Standard



**6030-3038HB**  
**Hold Open Track with Bumper (HBMP)**

- Non-handed
- Optional

### Installation accessories



**6030-416**  
**Wood Mounting Clip Set**

- Simplifies mounting closer in wood frame
- Includes latch stile clip, hinge stile clip and cover
- For use with Ives center pivots
- Consult factory for special template



**6030-169**  
**Track Bumper**

- Mounts to track to assist back check
- Limits maximum opening
- Consists of bumper, bumper post, and mounting screw

Note: Track bumper does not replace auxiliary stop.



**6030-3054**  
**Hold Open Clip**

- Mounts in track to provide hold open function
- Hold open point controlled by clip location
- Requires 6030-3034H Hold Open Track Roller



**6030-3034**  
**Track Roller**

- Quiet, low friction roller assembly includes eccentric with 3/4" (19 mm) adjustment to center 36" (914 mm) door



**6030-3034H**  
**Hold Open Track Roller**

- Hold open roller
- Quiet, low friction roller assembly

## Ordering information

### How-to-order 6030 Series closers

#### 1. Select cylinder size

- 6031
- 6032
- 6033
- 6034
- 6035

#### 2. Select finish

- Standard powder coat \_\_\_\_\_  
Aluminum (689), Dark Bronze (695), Statuary Bronze (690), Light Bronze (691), Black (693), or Brass (696)

#### Closer will be shipped with:

- Standard cylinder with mounting plate
- Standard arm
- Standard track with bumper
- Wood and machine screws  
(unless options listed below are selected)

### Closer options

#### Track

- Hold Open Track with Bumper (HBMP)

#### Finish

- Custom powder coat (RAL) \_\_\_\_\_
- Plated finish \_\_\_\_\_
- SRI primer (use with powder coat finishes only)

#### Screw pack

- Torx Machine Screws (TORX)

#### Installation accessories

- Wood Clip Set, 6030-416

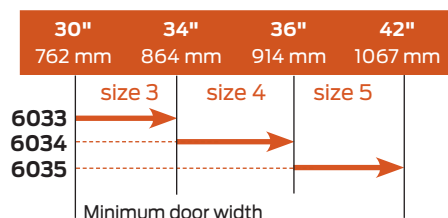
#### Special template

- ST- \_\_\_\_\_

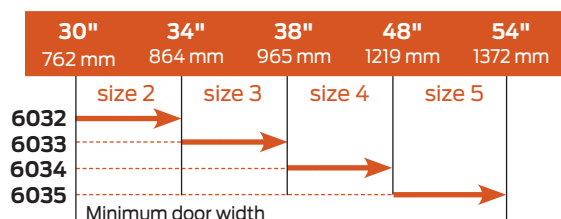
### Table of sizes

- Select closer based on width of door
- 6030 Series cylinders available in size 1, 2, 3, 4, or 5
- Closing power of all 6030 Series closers may be increased 35%
- Specify next higher size closer where strong drafts exist

#### Exterior (and vestibule) door width



#### Interior door width




→ Indicates recommended range of door width for closer size.  
Note: Minimum door width 28" (711 mm).

#### Reduced opening force 6030 Series closers

**CAUTION!** Any manual door closer, including those certified by BHMA to conform to ANSI Standard A156.4, that is selected, installed and adjusted based on ADA or other reduced opening force requirements may not provide sufficient power to reliably close and latch a door.

Refer to Automatic Operators catalog for information on systems that meet reduced opening force requirements without effecting closing power.

	Door width	36"	42"	48"
	8.5* lbs.	6033	6034	6035
	5.0* lbs.	6031	6032	6032

\* Maximum opening force.