

# 9140 Series



The 9140 Benchmark by LCN is an electrically powered low-energy operator. It provides easy access for people with disabilities, or the elderly. Designed primarily for automatic opening applications that occasionally require manual opening. The Benchmark is a cost-effective solution for retrofitting an activated or manual door.

## Features

<b>Certifications</b>	Grade 1 - A156.19, UL325/228, ADA, 100 Hour Salt Spray, Meets BAA - Buy American Act	<b>Fasteners</b>	Wood and Machine Screws (WMS)
<b>Handing</b>	Non-handed	<b>Mounting</b>	Single interior door, surface mount, offset pivot/butt hinge (push side)
<b>Door width</b>	<ul style="list-style-type: none"> <li>26" - 48"</li> <li>26" minimum door width for 27"</li> <li>36" door width only for full length pull operator</li> </ul>	<b>Arms</b>	Regular Arm (REGARM)
<b>Warranty</b>	2 years	<b>Finishes/colors/powder coat</b>	<ul style="list-style-type: none"> <li>628 Aluminum, Anodized</li> <li>710 Dark Brown, Anodized</li> </ul>

**Special templates** | Customized installation templates or products may be available to solve non-standard applications. Contact LCN Product Support for assistance.

Mounting	Handing	Finish	Cover	Arm function
Surface mount single door	Handed	Standard anodized	Standard (single lever)	Regular (push/pull)
Surface mount simultaneous pair	Non-handed	Metal	Regular (double lever)	Offset pivot arm
Surface mount independent pair			Double egress (push/pull)	Center pivot arm
Concealed single door				
Concealed simultaneous pair				
Concealed independent pair				

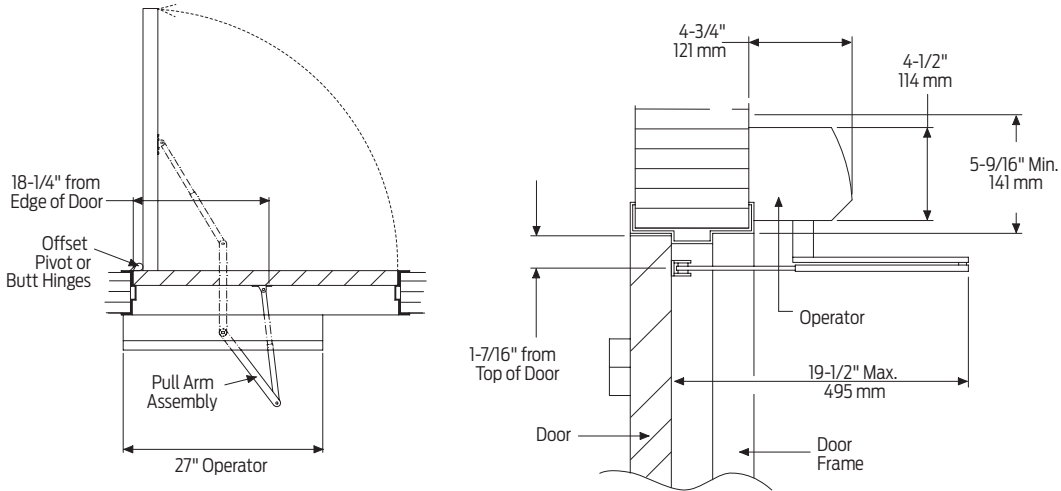
■ Available  
■ Not available

Introduction  
 Product selection guide  
 Pneumatic systems / Auto equalizers / 2610/4810/4820/4840/7900 Series  
 Electrohydraulic systems / Auto equalizers / 6400/4630/4640 Series  
 Electromechanical systems / Benchmark / 9130/9140/9150 Series  
 Electromechanical systems / Senior Swing / 2810/2850/2860/9530/9540/9550/9560 Series  
 Actuators and accessories

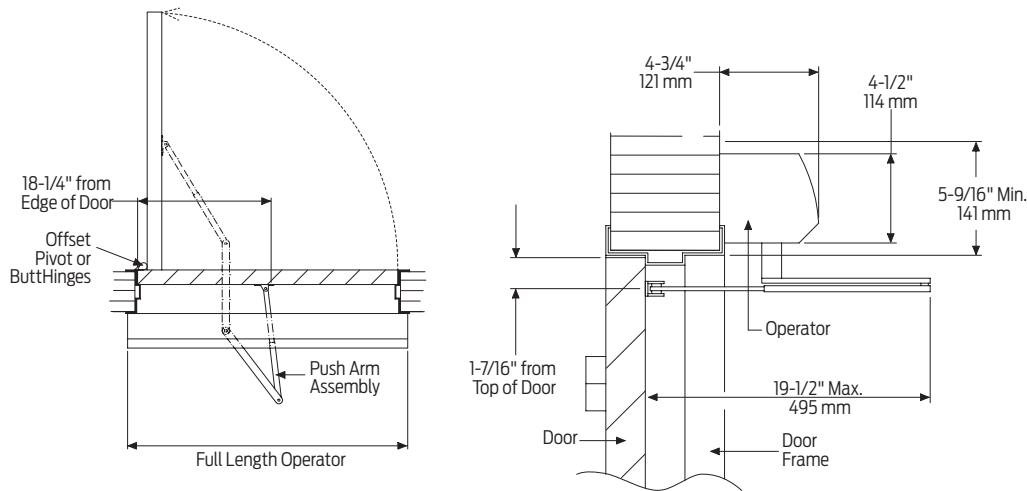
## Mounting details

### Top jamb (single door) mounting

#### Offset/butt hinge, center pivot, push, standard cover



#### Offset/butt hinge, center pivot, push, full cover



Butt hinges	Should not exceed 5" (127 mm) in width
Reveal	Push installations should not exceed 6" (152 mm) for regular arm and 9 3/4" (248 mm) for long arm
Top rail	<ul style="list-style-type: none"> <li>Minimum 2" (51 mm)</li> <li>Flush ceiling installation requires 5 1/4" (133 mm) minimum</li> </ul>
Head frame	Minimum 2" (51 mm)
Opening and closing time	<ul style="list-style-type: none"> <li>Variable by adjustments to the electronic control module located on the operator assembly</li> <li>Maximum hold open time adjustable up to approximately 30 seconds</li> </ul>
System diagram	See page 45 for typical system wiring and page 44 for electrical data
Maximum opening	Template allows 90 degree power opening and 90 degree manual opening

Notes:

- Push 'N Go permits non-switch activation with a microprocessor control box that ensures reliability and maintains customer settings
- Power boost allows for increased closing force near latch
- On/off switch is included as standard
- All potentiometers are clearly labeled with their functions
- LED lights indicate power to control box and motor gearbox

## Accessories

### Motor gearbox



**9140-3454S  
Standard Motor Gearbox  
(MGB)**

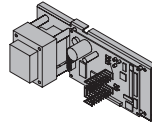
- Driving mechanism for operator (switch included)
- For 27" unit



**9140-3454  
Standard Motor Gearbox  
(MGB) (W/O Switch)**

- Driving mechanism for operator (switch not included)
- For full length unit (36")

### Control box



**9140-3462  
Standard Controller (120 volts)  
(CTRL)**

- Electronic controlling device with power supply output and power boost feature

### Arm



**9140-3077  
Regular Arm (REGARM)**

- Non-handed



**9140-3077L  
Long Arm (LONG)**

- Non-handed



**9140-79  
Rod and shoe**

- For use with regular arm



**9140-79LR  
Long rod and shoe**

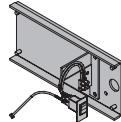
- Used with long arm, for deep reveals

### Brackets



**9140-3018  
Mounting Bracket**

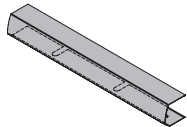
- Standard



**9140-3351-1  
Switch bracket**

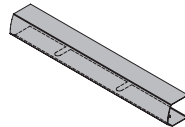
- 29" cable
- Used with a 36" door
- Used to locate switch at end of cover on full length unit

### Covers



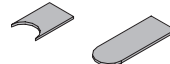
**9140-72MC  
Standard 27" Metal Cover (MC27)**

- Non-handed
- 27"
- Extruded aluminum cover
- Standard



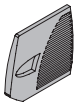
**9140-72FC  
Full 36" Cover (FC36)**

- Non-handed
- 36"
- Extruded aluminum cover



**9140-163  
Cover Insert**

- Used to cover operator shaft opening (includes 2 pieces)



**9140-163-1  
Cover End Cap Insert**

- Used to cover switch hole opening



**9140-334  
Cover End Cap**

- Black plastic
- Includes 9130-163-1 cover and cap insert

## Ordering information

### How-to-order 9140 Series operators

#### 1. Select finish

- Standard anodized finish \_\_\_\_\_  
Aluminum, Clear Anodized (628) or  
Dark Brown, Anodized (710).

#### Operator will be shipped with:

- Standard motor gearbox
- Standard control box
- Mounting bracket
- 27" metal cover
- Standard arm (3077t)
- Standard track w/track roller
- Wood and machine screws  
(unless options listed below are selected)

#### Operator options

##### Cover

- Full Metal Cover 36" (FMC)

##### Arm

- Long Arm (LONG) (reveals 6" to 9 3/4")

#### Table of sizes

##### Door width



→ Indicates recommended range of door width for operator.  
Note: For all Benchmark series. 30" minimum door width for 27" pull operator. 36" door width only for full length pull operator.