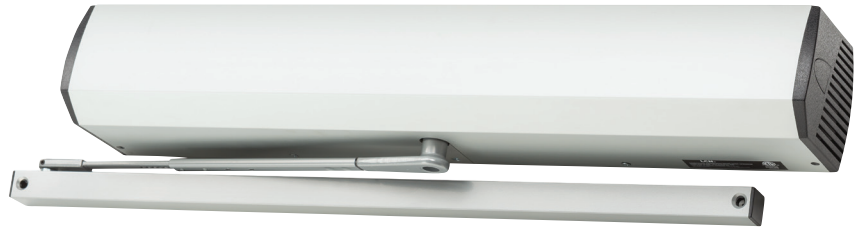


9130 Series



The 9130 Benchmark by LCN is an electrically powered low-energy operator. It provides easy access for people with disabilities, or the elderly. Designed primarily for automatic opening applications that occasionally require manual opening. The Benchmark is a cost-effective solution for retrofitting an activated or manual door.

Features

Certifications	Grade 1 - A156.19, UL325/228, ADA, 100 Hour Salt Spray, Meets BAA - Buy American Act	Cover	<ul style="list-style-type: none"> ▪ Metal 27", standard ▪ Metal 36", optional
Handing	Non-handed	Fasteners	Wood and Machine Screws (WMS)
Cover	<ul style="list-style-type: none"> ▪ 30" - 48" ▪ 30" minimum door width for 27" ▪ 36" door width only for full length pull operator 	Mounting	Single interior door, surface mount, offset pivot/butt hinge (pull side)
Warranty	2 years	Arms	Standard arm and track
		Finishes/colors/powder coat	<ul style="list-style-type: none"> ▪ 628 Aluminum, Anodized ▪ 710 Dark Brown, Anodized

Special templates | Customized installation templates or products may be available to solve non-standard applications. Contact LCN Product Support for assistance.

Mounting	Handing	Finish	Cover	Arm function
Surface mount single door	Handed	Standard anodized	Standard (single lever)	Standard pivot arm
Surface mount simultaneous pair	Non-handed	Metal	Regular (double lever)	Offset pivot arm
Surface mount independent pair			Double egress (push/pull)	
Concealed single door				
Concealed simultaneous pair				
Concealed independent pair				

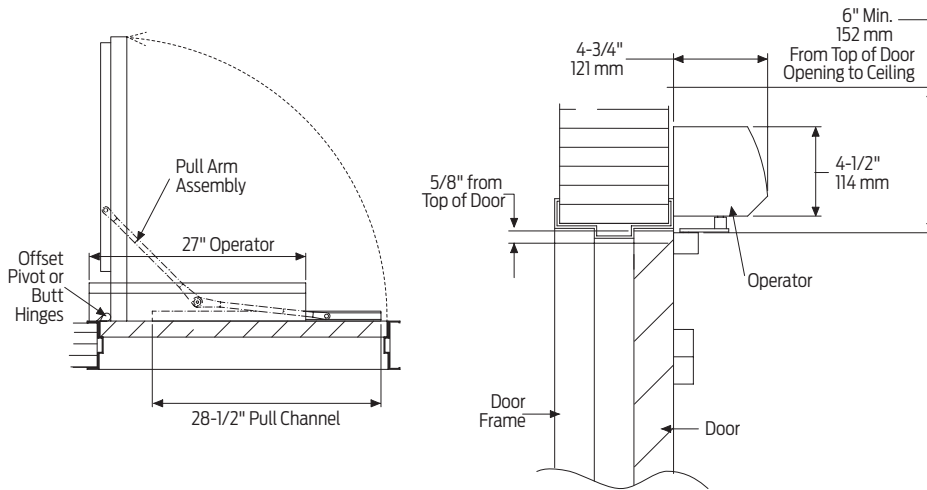
■ Available
■ Not available

Introduction
 Product selection guide
 Pneumatic systems / Auto equalizers / 2610/4810/4820/4840/7900 Series
 Electrohydraulic systems / Auto equalizers / 6400/4630/4640 Series
 Electromechanical systems / Benchmark / 9130/9140/9150 Series
 Electromechanical systems / Senior Swing / 2810/2850/2860/9530/9540/9550/9560 Series
 Actuators and accessories

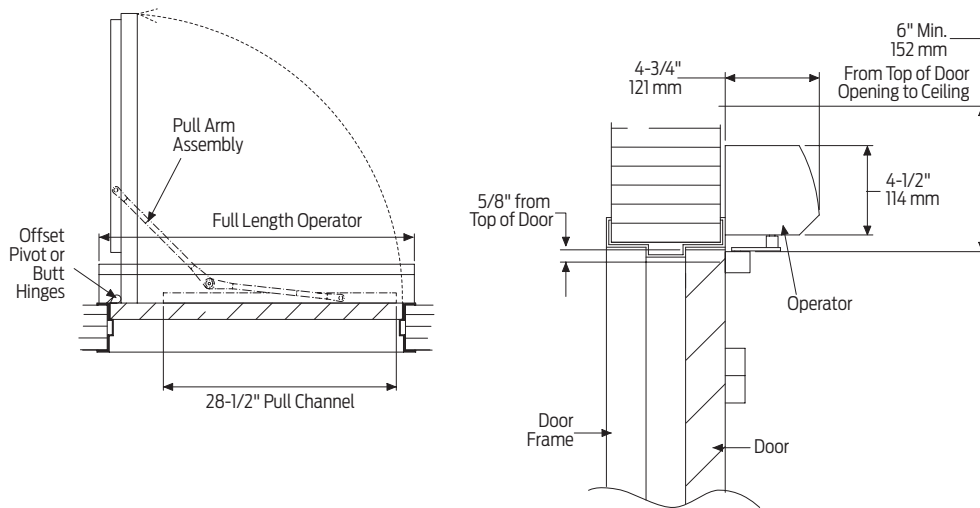
Mounting details

Top jamb (single door) mounting

Offset/butt hinge, center pivot, pull, standard cover



Offset/butt hinge, center pivot, pull, full cover



Butt hinges	Should not exceed 5" (127 mm) in width
Reveal	Should not exceed 1/8" (3 mm)
Top rail	Minimum 2" (51 mm)
Head frame	Minimum 2" (51 mm)
Opening and closing time	<ul style="list-style-type: none"> Variable by adjustments to the electronic control module located on the operator assembly Maximum hold open time adjustable up to approximately 30 seconds
System diagram	See page 45 for typical system wiring and page 44 for electrical data
Maximum opening	Template allows 90 degree power opening and 90 degree manual opening

Notes:

- Push 'N Go permits non-switch activation with a microprocessor control box that ensures reliability and maintains customer settings
- Power boost allows for increased closing force near latch
- On/off switch is included as standard
- All potentiometers are clearly labeled with their functions
- LED lights indicate power to control box and motor gearbox

Accessories

Motor gearbox



9130-3454S
Standard Motor Gearbox (MGB)

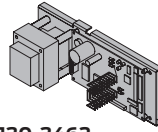
- Driving mechanism for operator (switch not included)
- For 27" unit



9130-3454
Standard Motor Gearbox (MGB) (W/O Switch)

- Driving mechanism for operator (switch not included)
- For full length 36" unit

Control box



9130-3462
Standard Controller (120 volts) (CTRL)

- Electronic controlling device with power supply output and power boost feature

Arm



9130-3077T
Standard Arm (STDTRKARM)

- Non-handed
- Track roller not included



9130-3077PLCM
Standard Arm (STDTRKARM)

- Non-handed
- Standard non-handed track

Track



9130-3038
Standard Track (STDTRK)

- Non-handed
- Standard



9130-73
Track End Cap

- Black plastic

Installation accessories



9130-3034
Roller assembly

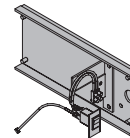
- Quiet low friction

Brackets



9130-3018
Mounting Bracket

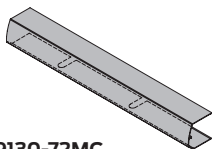
- Standard



9130-3351-2
Switch bracket

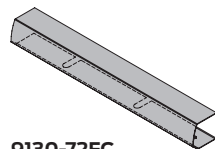
- 41" cable
- Bracket used to locate switch at end of cover on full length unit

Covers



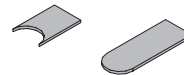
9130-72MC
Standard 27" Metal Cover (MC27)

- Non-handed
- 27"
- Extruded aluminum
- Standard



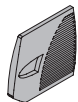
9130-72FC
Full Metal Cover 36" (FMC)

- Non-handed
- 36"
- Extruded aluminum



9130-163
Cover Insert

- Used to cover operator shaft opening (includes 2 pieces)



9130-163-1
Cover End Cap Insert

- Used to cover switch hole opening



9130-334
Cover End Cap

- Black plastic
- Includes 9130-163-1 cover and cap insert

Introduction
 Product selection guide
 Pneumatic systems
 Auto equalizers
 2610/4810/4820/4840/7900 Series
 Electrohydraulic systems
 Auto equalizers
 6400/4630/4640 Series
 Electromechanical systems
 Benchmark
 9130/9140/9150 Series
 Electromechanical systems
 Senior Swing
 2810/2850/2860/9530/9540/9550/9560 Series
 Actuators and accessories

Ordering information

How-to-order 9130 Series operators

1. Select finish

- Standard anodized finish _____
Aluminum, Clear Anodized (628) or
Dark Brown, Anodized (710).

Operator will be shipped with:

- Standard motor gearbox
- Standard control box
- Mounting bracket
- 27" metal cover
- Standard arm (3077t)
- Standard track w/track roller
- Wood and machine screws
(unless options listed below are selected)

Operator options

Cover

- Full Metal Cover 36" (FMC)

Table of sizes

Door width



Indicates recommended range of door width for operator.

Note: For all Benchmark series. 30" minimum door width for 27" pull operator. 36" door width only for full length pull operator.