

1250 Series



The 1250 Series cast aluminum closer is designed for low-frequency and low-abusive traffic areas. Combining dependable operation, low maintenance and a stylish look this closer is ideal for aluminum storefronts and interior offices.

Features

Certifications	Grade 1 - ANSI A156.4, UL 10C, ADA, 100 Hour Salt Spray, Meets BAA - Buy American Act	Cover	Slim line cover, optional
Body construction	<ul style="list-style-type: none"> Cast aluminum body Full complement bearing 1 3/8" diameter piston 5/8" diameter single heat treated pinion journal 	Fasteners	Universal screw pack (UNIV)
Fluid	All weather fluid	Mounting	Hinge (pull side), top jamb (push side), parallel arm (push side)
Handing	Non-handed	Arms	Tripack includes regular, top jamb, and parallel arm (RWPA)
Templating	Peel-n-Stick templates - 3/4" x 9 1/16" mounting hole pattern	Finishes/colors/ powder coat	<ul style="list-style-type: none"> 689 Aluminum 690 Statuary Bronze 691 Light Bronze 693 Black 695 Dark Bronze 696 Brass Custom colors optional Optional SRI primer - powder coat only
Size	Adjustable spring size 1-5		
Warranty	15 years		

Special templates

Customized installation templates or products may be available to solve non-standard applications. Contact LCN Product Support for assistance.

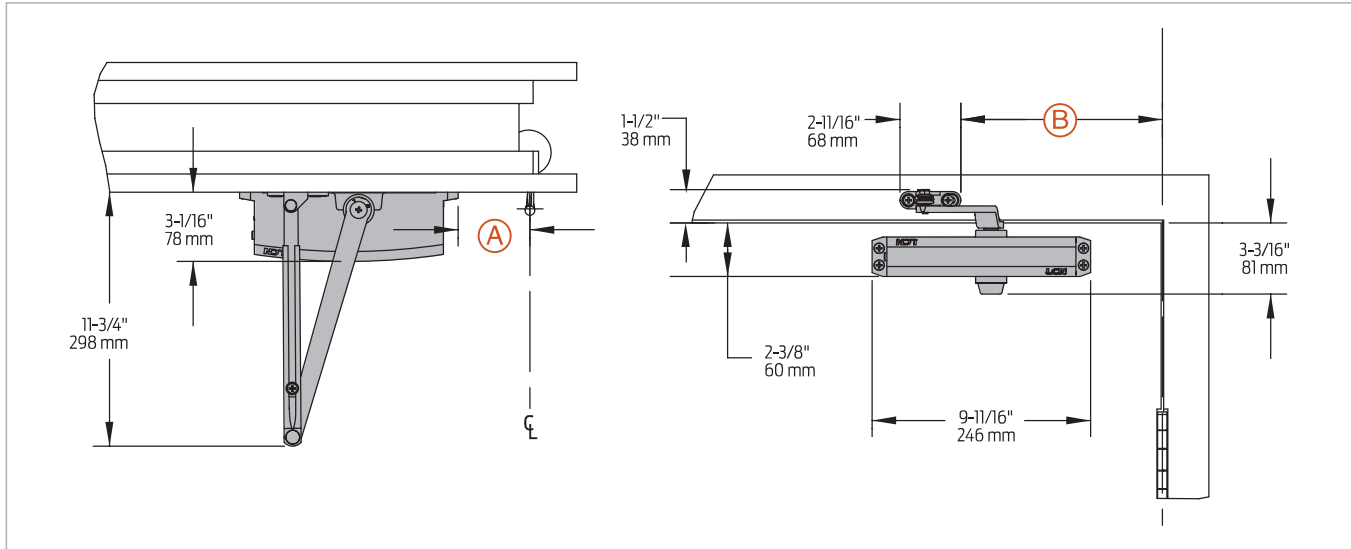
Mounting		Finish		Cover		Cylinder		Arm function*	
Hinge (pull) side	Top jamb (pull)	Paint	Powder coat	Non-handed	Non-sized	Regular (double)	Standard (single)	Regular (double)	Standard (single)
Top jamb (push)	Parallel arm	Plated	Plastic	Accessibility	Delay action	Heavy duty	Hold Open	EDA/HEDA	CUSH/HCUSH
Stop face		Metal						SCUSH/SHCUSH	
Available	Not available	Available	Not available	Available	Not available	Available	Not available	Available	Not available

■ Available ■ Not available Closer available with less than 5.0 lbs. opening force on 36" door.

* Maximum opening/hold open point with standard template.

Mounting details

Hinge (pull) side mounting

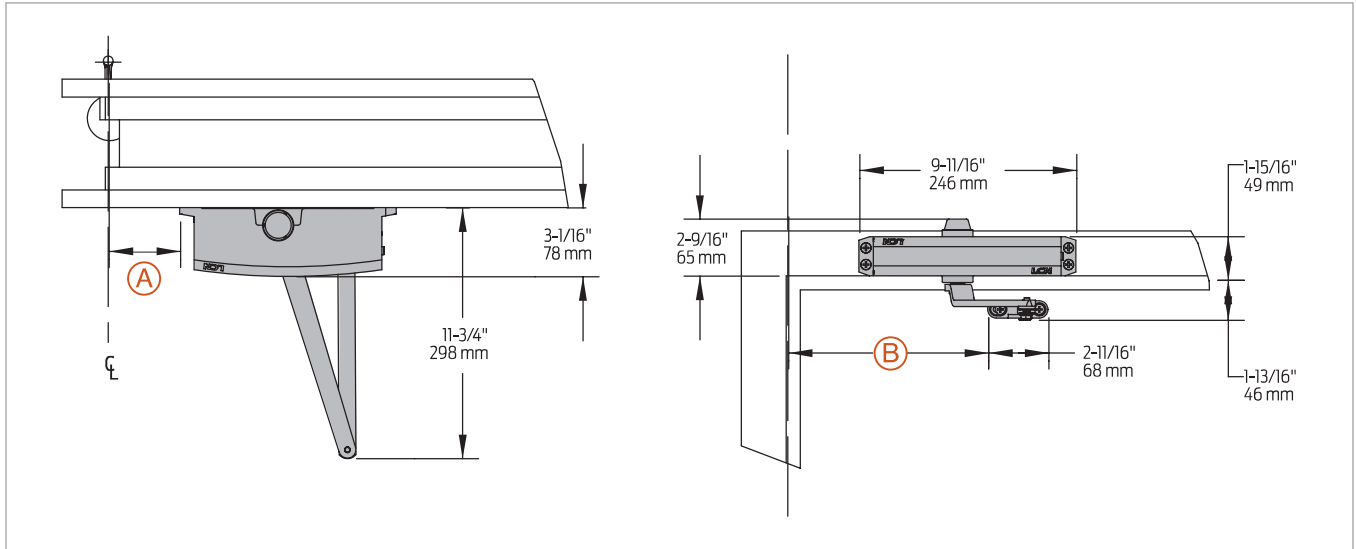


Butt hinges	Should not exceed 5" (127 mm) in width
Auxiliary stop	Recommended at hold open point or where a door cannot swing 180°
Reveal	Should not exceed 3/4" (19 mm) for regular arm or 1/2" (13 mm) for Hold Open Arm (H)
Top rail	Less than 2 3/8" (60 mm) requires plate, 1250-18
Clearance	3 1/16" (78mm) behind door required for installation
Maximum opening	100°: A = 6 11/16" (170mm) B = 12 7/16" (316 mm)
	101° to 120°: A = 5 11/16" (144mm) B = 11 7/16" (291 mm)
	or 121°* to 180°: A = 3 1/16" (78 mm) B = 8 15/16" (227 mm)

Note: Hold open points up to maximum opening with Hold Open Arm.
* Frame and trim permitting.

Mounting details

Top jamb (push side) mounting

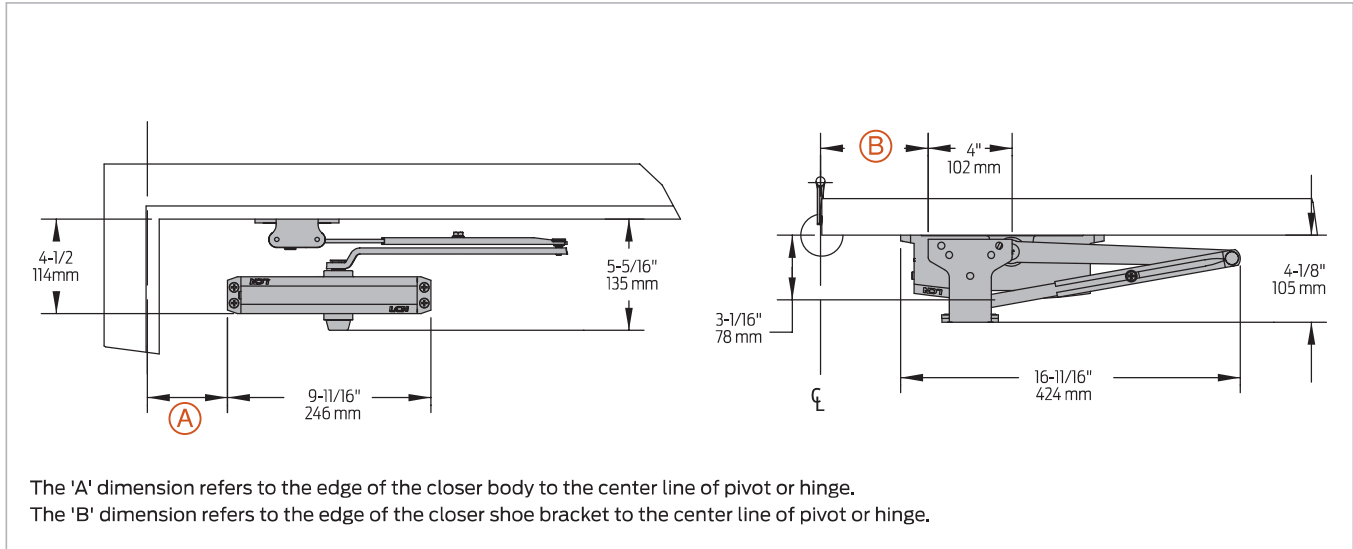


Butt hinges	Should not exceed 5" (127 mm) in width		
Auxiliary stop	Recommended at hold open point or where a door cannot swing 180°		
Reveal	Arm type	Maximum reveal	Opening
	Regular Arm	0" to 5"	180°
	Long Arm	4" to 8"	165°
	Hold Open Arm	0" to 2 3/4"	180°
	Hold Open Long Arm	2" to 6 1/2"	180°
Top rail	Requires 1 3/4" (44 mm) minimum. 2 1/2" (64 mm) minimum with closer on plate, 1250-18		
Head frame	Less than 1 3/4" (44 mm) requires plate, 1250-18. For flush ceiling condition with 2" (51 mm) head frame, use plate, 1250-18. (Plate requires 1 3/8" (35 mm) minimum.)		
Maximum opening	100°:	A = 7 3/16" (183 mm) B = 12 15/16" (329 mm)	
	101° to 120°:	A = 5 11/16" (144 mm) B = 11 7/16" (291 mm)	
	or *121° to 180°:	A = 3 1/16" (78 mm) B = 8 15/16" (227 mm)	

Note: Hold open points up to maximum opening with Hold Open Arm.
 * Frame and trim permitting.

Mounting details

Parallel arm (push side) mounting

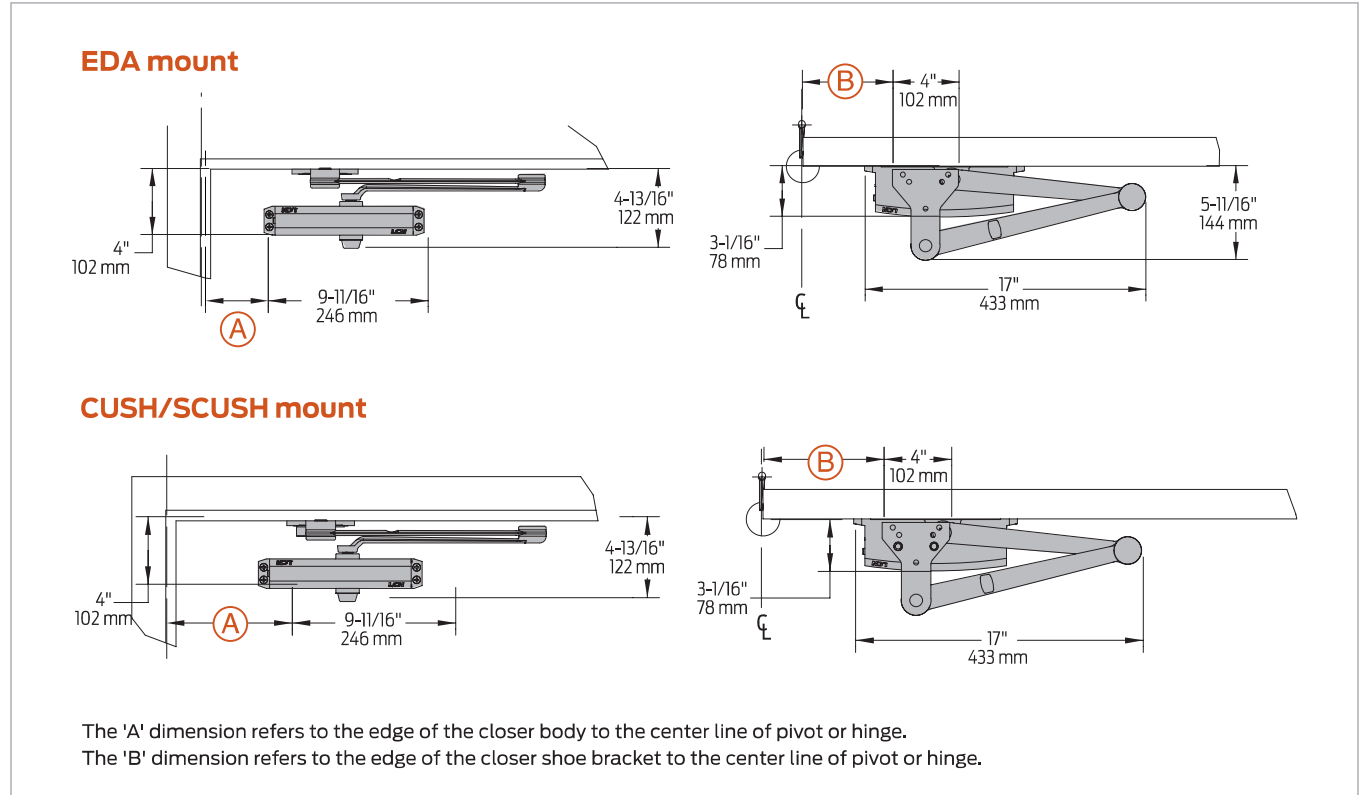


Butt hinges	Should not exceed 5" (127 mm) in width
Auxiliary stop	Recommended at hold open point, where a door cannot swing 180°, or where Cush-n-Stop Arm is not used
Top rail	Less than 4 1/2" (114 mm) measured from the stop requires plate, 1250-18PA
Clearance	1250-62PA shoe projects 4 1/8" (105 mm) from door face
Stop width	Minimum 1" (25 mm)
Blade stop	Clearance, requires 1/2" (13 mm) blade stop spacer, 1250-61
Auxiliary shoe	1250-62A allows installation of regular arm with overhead holder/stop
Maximum opening	Regular or Hold Open Arm can be templated to 100°: A = 7 5/16" (186 mm) B = 8 5/8" (219 mm) or 101° to 130°: A = 5 13/16" (148 mm) B = 7 1/8" (181 mm) or *131° to 180°: A = 3 13/16" (97 mm) B = 5 1/8" (130 mm)

Note: Hold open points up to maximum opening with Hold Open Arm. 1250 Parallel arm closer includes 1250-201 fifth hole spacer to support PA shoe.
 * Frame and trim permitting.

Mounting details

EDA and Cush-n-Stop mounting



Clearance	1250-62EDA or CUSH shoe projects 5 11/16" (144mm) from door face	
Head frame	Flush or rabbeted requires CUSH flush panel adapter, 1250-419	
EDA or CUSH Arm	Requires soffit shoe support, 1250-30 for fifth screw anchorage where reveal is less than 2 3/4" (70mm)	
SCUSH	Dead stop points are approximately 5° more than templated stop point.	
Maximum opening	EDA template allows 180° Hold open point up to maximum opening	CUSH arms can be templated for maximum opening/hold open point at 85°
	100°: A = 7 5/16" (186mm) B = 9" (229 mm)	85°: A = 8 13/16" (224 mm) B = 10 1/2" (267 mm)
	or 130°: A = 5 13/16" (148 mm) B = 7 1/2" (191 mm)	90°: A = 8 1/16" (205 mm) B = 9 3/4" (248 mm)
	or 180°: A = 3 13/16" (97 mm) B = 5 1/2" (140 mm)	100°: A = 6 11/16" (170 mm) B = 8 3/8" (213 mm)
		105°: A = 6 1/16" (154 mm) B = 7 3/4" (197 mm)
		110°: A = 5 7/16" (138 mm) B = 7 1/8" (181 mm)

Note: 1250 closers ordered with EDA, CUSH or SCUSH arms include 1250-201 fifth hole spacer to support the shoe

1250 Series

Accessories

Cylinders



1250-3071
Cast aluminum cylinder assembly (CYL)

- Non-handed
- Standard

Covers



1250-72
Slim line plastic cover (SLIMPC)

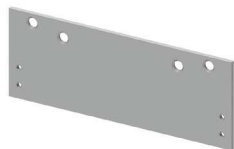
- Non-handed
- Optional

Installation accessories



1250-18
Plate

- Required for hinge side mount where top rail is less than 2 ³/₈" (60mm)
- Required for top jamb mounting where head frame is less than 1 ³/₄" (44 mm) or flush ceiling condition exists
- Requires minimum 1 ¹/₂" (38 mm) minimum top rail or 1 ¹/₄" (32 mm) head frame



1250-18PA
Plate

- Required for parallel arm mounting where top rail is less than 4 ¹/₂" (114mm), measured from the stop
- Requires 1 ³/₄" (44 mm) minimum top rail



1250-30
CUSH shoe support

- Provide anchorage for fifth screw used with CUSH arms where reveal is less than 2 ³/₄" (70mm)



1250-61
Blade stop spacer

- Lowers parallel arm shoe to clear 1/2" (13 mm) blade stop



1250-62A
Auxiliary shoe

- Requires a top rail of 7 ¹/₈" (181mm). Optional shoe replaces -62PA for parallel arm mounting of regular arm with overhead holder/stop



1250-419
PA flush panel adapter

- Provides horizontal mounting surface for PA, EDA or CUSH shoe on single rabbeted or flush frame



1250-62PA
PA shoe

- Required for parallel arm mounting

Accessories

Arms



1250-3077
Regular Arm with Parallel Arm Bracket (RWPA)

- Non-handed
- Mounts hinge side or top jamb
- Parallel Arm includes PA shoe, 1250-62PA required for parallel arm mounting



1250-3077L
Long Arm (LONG)

- Non-handed
- Includes long rod and shoe, 1250-79LR for top jamb mount with deep reveals
- Optional



1250-3077EDA
Extra Duty Arm (EDA)

- Non-handed
- Features solid forged steel main and forearm for potentially abusive installations
- Optional



1250-3049EDA
Hold Open Extra Duty Arm (HEDA)

- Handed
- Provides hold open function adjustable at shoe
- Optional



1250-3049
Hold Open Arm with Parallel Arm Bracket (HWPB)

- Non-handed
- Mounts hinge side, top jamb or parallel arm (62PA required)
- Hold open adjustable at shoe
- Optional



1250-3049L
Hold Open Long Arm (HLONG)

- Non-handed
- Includes long head and tube, 1250-3048L for top jamb mount with deep reveals
- Optional



1250-3077CNS
Cush-n-Stop Arm (CUSH)

- Non-handed
- Features solid forged steel main arm and forearm with stop in soffit shoe
- Optional



1250-3049CNS
Hold Open Cush-n-Stop Arm (HCUSH)

- Non-handed
- Provides hold-open function with templated stop/hold open points
- Handle controls hold open function
- Optional



1250-3077SCNS
Spring Cush-n-Stop Arm (SCUSH)

- Non-handed
- For abusive applications features solid forged steel main arm and forearm with spring loaded stop in the soffit shoe
- Optional



1250-3049SCNS
Spring Hold Open Cush-n-Stop Arm (SHCUSH)

- Non-handed
- For abusive applications features solid forged steel main arm and forearm with spring loaded stop in the soffit shoe
- Handle controls hold open function
- Optional

Ordering information

How-to-order 1250 Series closers

1. Select finish

- Standard powder coat _____
Aluminum (689), Dark Bronze (695),
Statuary Bronze (690), Light Bronze (691),
Black (693), Brass (696).

Closer options

Cover

- Slim line plastic cover (SLIMPC)

Finish

- Custom Powder Coat (RAL) _____
- SRI primer (for use with powder coat finishes only)

Arm

- Regular Arm with 62A Auxiliary Shoe (RW62A)
- Long Arm (LONG)
- Regular with 62A Auxiliary Shoe (RW62A)
- Hold Open with Parallel Arm Bracket (HWPB)
- Hold Open Long Arm (HLONG)
- Extra Duty Arm (EDA)
- Hold Open Extra Duty Arm (HEDA)
- Cush-n-Stop Arm (CUSH)
- Hold Open Cush-n-Stop Arm (HCUSH)
- Spring Cush-n-Stop Arm (SCUSH)
- Spring Hold Open Cush-n-Stop Arm (SHCUSH)

Closer will be shipped with:

- Standard cylinder
- Tripack arm (RWPA)
- Universal screw pack
(unless options listed below are selected)

Optional screw packs

- Torx Machine Screws (TORX)
- Through Bolt¹ and Torx Machine Screw (TBTRX)

Installation accessories

- Plate, 1250-18
- Plate, 1250-18PA
- CUSH Shoe Support, 1250-30
- Blade Stop Spacer, 1250-61
- Auxiliary Shoe, 1250-62A
- PA Flush Panel Adapter, 1250-419

Special template

- ST- _____

Meets Buy American Act

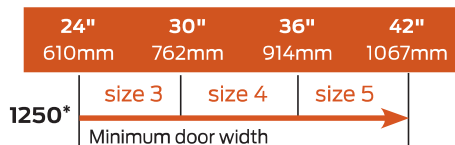
- BAA

¹. Specify door thickness if other than 1 3/4".

Table of sizes

- Select closer based on width of door.
- The spring power of a 1250 cylinder is field adjustable from size 1 through size 5 and is shipped adjusted to size 3.

Exterior (and vestibule) door width



Interior door width



➔ Indicates recommended range of door width for closer size.
* Adjustable Size 1 thru 5.

Reduced opening force 1250 Series closers

CAUTION! Any manual door closer, including those certified by BHMA to conform to ANSI Standard A156.4, that is selected, installed and adjusted based on ADA or other reduced opening force requirements may not provide sufficient power to reliably close and latch a door.

Refer to Automatic Operators catalog for information on systems that meet reduced opening force requirements without effecting closing power.

Door width	36"	42"	48"
	8.5* lbs.	1250	1250
5.0* lbs.	1250	1250	1250

* Maximum opening force.