

# 1600 Electric Strike

*Works with all brands of cylindrical and mortise locksets, with or without a deadbolt*



Also available in a Complete One Box Solution

The 1600 Series electric strike accommodates up to a 1" deadbolt with enhanced vertical cavity spacing.

The 1600 Series Electric Strike sets a new standard in the industry by offering dynamic integrated adjustability and field configurable options compatible with any cylindrical or mortise lock. The modular design of the platform makes stocking and installing easier with interchangeable faceplates and accessories. For the first time, the aesthetics of an electric strike are complementary to other surrounding door hardware and blend in with the opening due to the fully finished design, available in eight finishes.

## Features

### Standard Features

- Stainless steel construction
- Tamper resistant
- Static strength 1,500 lbs
- Dynamic strength 70 ft-lbs
- Endurance 1 million cycles
- Field selectable fail safe/fail secure
- Non-handed
- Interchangeable faceplates and accessories
- Field replaceable components
- Fully finished faceplate, keeper, case and trim
- Field adjustable integrated shim
- Strike body depth 1-5/8" [41.3mm]
- SecuriCare ten-year, no-fault, no questions asked warranty

### Optional Features

- **LM** Lock monitor
- **DLM** Dual lock monitors
- **LMS** Lock monitor and strike monitor
- **DLMS** Dual lock monitors and strike monitor

### Accessories

- **157** Torx screws
- **HESCUT-MTK** Metal template kit
- **1600-104-xxx** Lip extension trim adapter (finish to match)
- **1600-106-xxx** 1006 adapter and trim enhancer kit (finish to match)
- **OPT-1SRK** Spring replacement kit
- **OPT-1LM** Single lock monitor
- **OPT-1DLM** Dual lock monitors
- **MOD-1SOL** Solenoid replacement module



Grade 1



SecuriCare  
Warranty



Mortise Locks  
with Deadbolt



Mortise Locks  
without  
Deadbolt



Cylindrical  
Locksets



Field Selectable  
(Fail secure  
/Fail safe)



Dual Voltage  
12/24



PoE  
Friendly



Fire Rated



Windstorm  
Resistant



Outdoor  
Rated



Burglary  
Rated

hes

ASSA ABLOY

## Specifications

### Certifications

- ANSI/BHMA A156.31, Grade 1
- UL 1034 burglary-resistant listed and suitable for outdoor use
- UL 294 listed
- RoHS compliant
- UL 10C fire rated, 3-hour single door (fail secure only)
- UL 10C fire rated, 1-1/2 hour double door (fail secure only)
- CAN/ULC-S104 fire door conformant
- NFPA-252 fire door compliant
- ASTM-E152 fire door compliant
- California Fire Marshal listed
- ANSI/SDI A250.13 windstorm resistant
- Florida Building Code approved TAS 201, 202, 203
- ANSI-ASTM E330

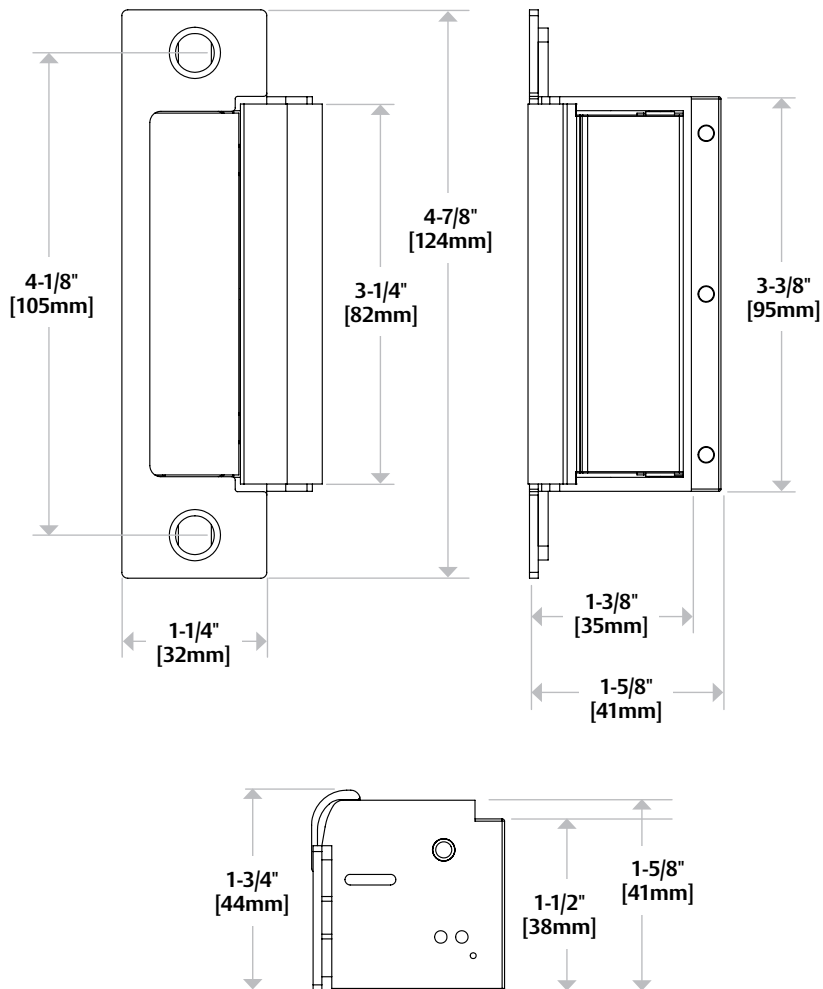
### Frame Application

- Metal
- Wood

### Electrical (DC Continuous Duty)

- Dual voltage 12/24 VDC/VAC
- 240 mA at 12 VDC/120 mA at 24 VDC
- PoE friendly

## Dimensions



## How to Order

SERIES	MODEL	FINISH*	OPTION (S)
<b>1600</b>	<b>- CS</b>	<b>- 630</b>	<b>- LM</b>
<b>1600</b> Universal Electric Strike	<b>(blank)</b> Electric strike body only, faceplates ordered separately	<b>605</b> Bright Brass	<b>(blank)</b> No Monitor
	<b>CS*</b> Complete Electric Strike; includes 1LB faceplate kit for latchbolts and 1DB faceplate kit for deadbolts	<b>606</b> Satin Brass	<b>LM</b> Lock Monitor
	<b>CLB*</b> Complete Electric Strike for Latchbolt Locks; includes 1LB faceplate kit for latchbolts	<b>612</b> Satin Bronze	<b>DLM</b> Dual Lock Monitor
	<b>CDB*</b> Complete Electric Strike for Deadbolt Locks; includes 1DB faceplate kit for deadbolts	<b>613</b> Bronze Toned	<b>LMS</b> Lock Monitor and Strike Monitor
		<b>613E</b> Dark Oxidized Satin Bronze Powder	<b>DLMS</b> Dual Lock Monitors and Strike Monitor
		<b>629</b> Bright Stainless Steel	
		<b>630</b> Satin Stainless Steel	
		<b>BSP</b> Black Suede Powder	

\*Complete Pacs are only available in the 630 finish

NOTE: Electric strike compatibility is determined at time of electric strike product release. ASSA ABLOY is not responsible for incompatibility of products that have changed in design or craftsmanship by their respective manufacturers. When compatibility is a concern, contact Customer Support for application assistance.