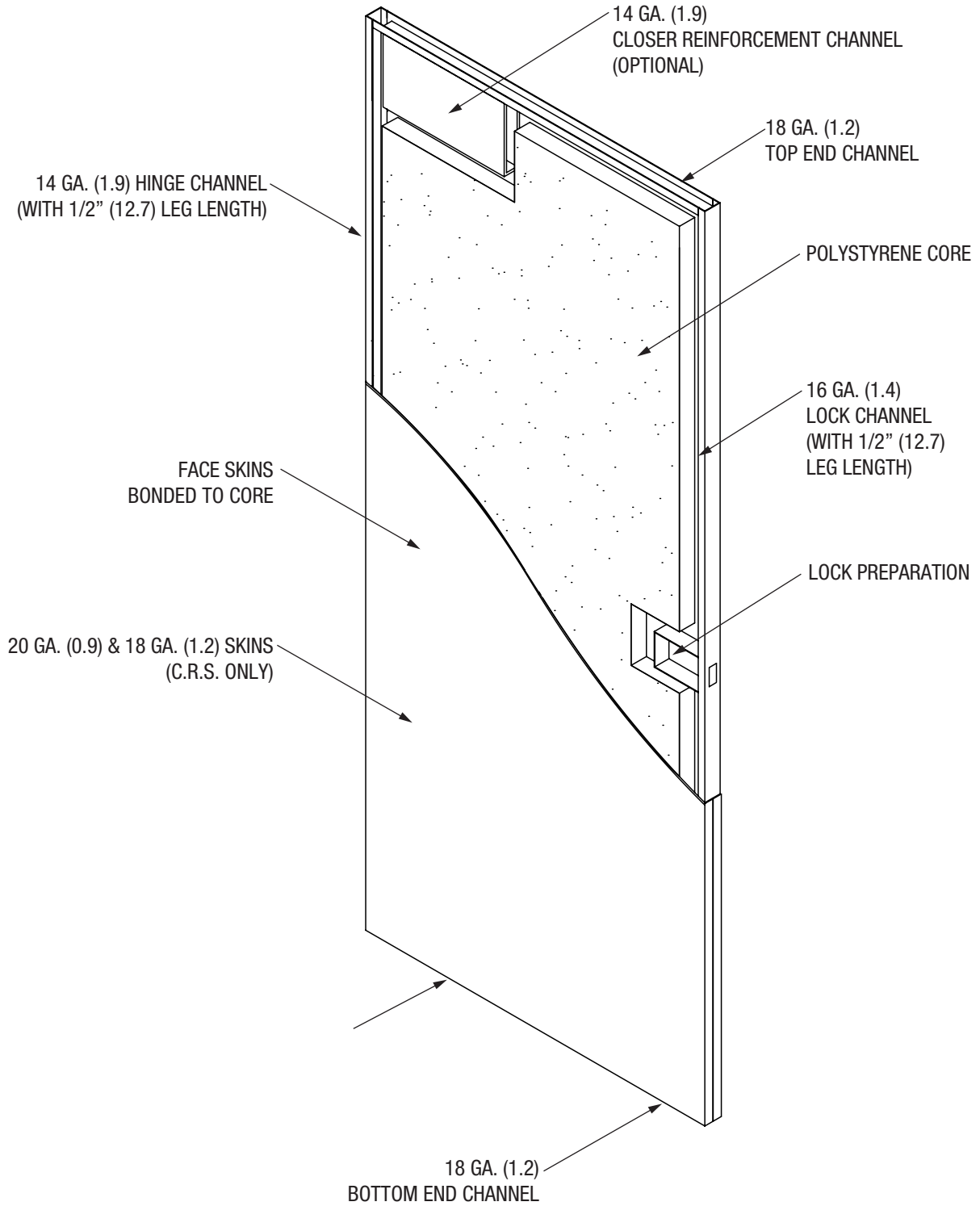


Doors

Revised August, 2023

DESCRIPTION	PAGE(S)
2-1/4" Thick Door	137
Astragals	
Flat	89
"n" Type	125
Z Type	90
Behavioral Healthcare Patient Room Access Door	171
Bevels	26-27
Bi-Fold Doors	124
Bottom (Semi-mortise)	95
Caps (Flush)	31-32
Clearances	24-25
Construction Type (Series)	
607	1-2
707	3
707 Honeycomb Core	162
707 Stainless Steel	See Specialty Section
727	4
747	6
747 Stainless Steel	See Specialty Section
747 Temperature Rise	170
767 Stile and Rail Door Construction	133-134
777 Trio	161
777 Trio-E	164
847	10-14
857	15-19
Bullet Resistant Door and Frame	See Specialty Section
STC Quiet Noise Door	See Specialty Section
Lead-Lined Door and Frame	See Specialty Section
Water Resistant Door and Frame	See Specialty Section
Attack Resistant Door	See Specialty Section
Forced Entry Bullet Resistant Door and Frame	See Specialty Section
Flood Resistant Door and Frame	See Specialty Section
CURRIStain and CURRIStain Smooth Grain (SG) Door	125
Dutch Doors	40
Dutch Door Shelves	41-42
Edge Seams	28
End Channels	29
Face Types 1 & 2 (old style)	44-47, 60-65, 71-72
Face Types 9 & 10 (standard kit)	138-160
Glass - Factory Installed in Doors	
Keralite Filmed and Keralite Laminated	166
FireLite NT and FireLite Plus	167
1/4" Tempered	168
1/4" Filmed Wire	168
5/8" and 1" Insulated Glass	169
Glass Sizes (Visible)	48-59
Glass Moulding	
Type 1 (old style)	66-67, 73-75
Type 2 (old style wide pocket)	75-76
Type 3 (Custom)	73, 77, 79
Type 4 (Custom)	78-79
Type 7 & 8 (Custom)	127
Type 11	131
Window Kit Pocket Sizes	126

DESCRIPTION	PAGE(S)
<hr/>	
Hardware	
ElectroLynx System	129
Locations	35-39
Reinforcement - Preparation	
Closer/Holder	91-92
Concealed Closer	93-94
Flush Bolts	121-122
Hinge	
Hinge Preparation, 10" Blank	34
Standard Mortise	2
Surface Mounted	20
Overmortise-double Mortise	9
Locks	
Cylindrical	96-102
Cylindrical Lock - Deadlock	115
Deadlocks	116-117
Combination Lock	118
Pocket	119
Exit Device Preparations	
Concealed Vertical Rod	111
Mortise Exit	110
Rim Panic	108, 128
Rim Vertical Rod	109, 114, 128
Mortise Lock	103-106, 112-113
Unit	107
Push - Pulls	120
Strikes	
Deadlock Strikes	82-83
Electric Strikes	86-88
Lip Strikes	80-81
Open Back Strike	84-85
Surface Bolts	123
Pivots Top and Bottom	22
Pivots Intermediate	23
Pocket Pivot	21
Louvers (Size and Location)	68-70
Non-Rated Door Louver	163
Monorail Preparation	43
Rabbit Edge	76
Replacement Door	33
Panels	
Hollow Metal - Labeled	30
Hollow Metal - Non-Labeled	30a
Mineral Fibreboard - Labeled	30b
Composite Core - Non-Labeled	30c
Pocket Door	29
Wicket Doors	135-136



March, 2011

**NOTES:****THICKNESS:** 1-3/4" (44.5) ONLY!**HANDING:** Non-handed only. (square edges)**EDGE:** "S" type only.**WIDTH:** 2'0" (609.2) to 4'0" (1219.2), standard size increments only.**HEIGHT:** 6'8" (2032), 7'0" (2133.6), 7'2" (2184.4), and 8'0" (2438.4) only**DOOR CLEARANCES:** Standard – 1/8" (3.1) top, 3/8" (9.5) and 5/8" (15.8) bottom, 3/32" (2.3) hinge edge, 1/8" (3.1) lock edge.**HARDWARE PREPARATIONS:**

Locks: Cylindrical – G2, G2B, G2EO

Cylindrical deadlock – G16

Mortise – G3, G3EO (edge only), G3AEO (edge only), G3ARO (reinforce only).

Strikes: E1B (Cut lip on strike in field)

Flushbolt: H1, H1HO

Surface Bolt: SB

Push-Pull Reinf: G18

Hinges: 4-1/2" (114.3) x 4-1/2" (114.3) x .134" (3.4) Thickness and .180" heavy weight – 1/4" (6.3) backset.

Panic Devices: G11 (rim exit), G11A (surface vertical rod), both reinforce only.

Closer: CL

GLASS KITS: Flush doors only.**ASTRAGALS:** Not available factory installed - field installation only.

Hinge and lock locations are SDI manufacturers standard locations.

Steel Top/Bottom Filler Cap

(Optional)

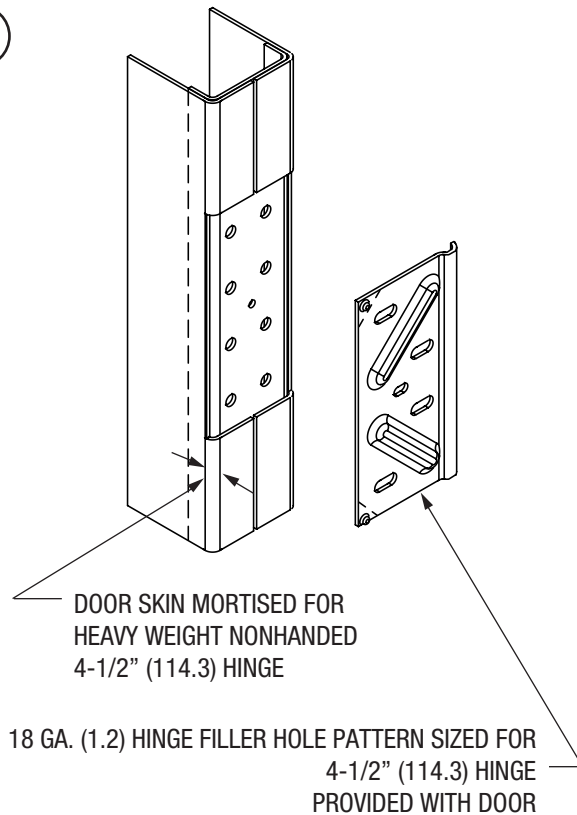
20 GA. (.9) Galvanealed

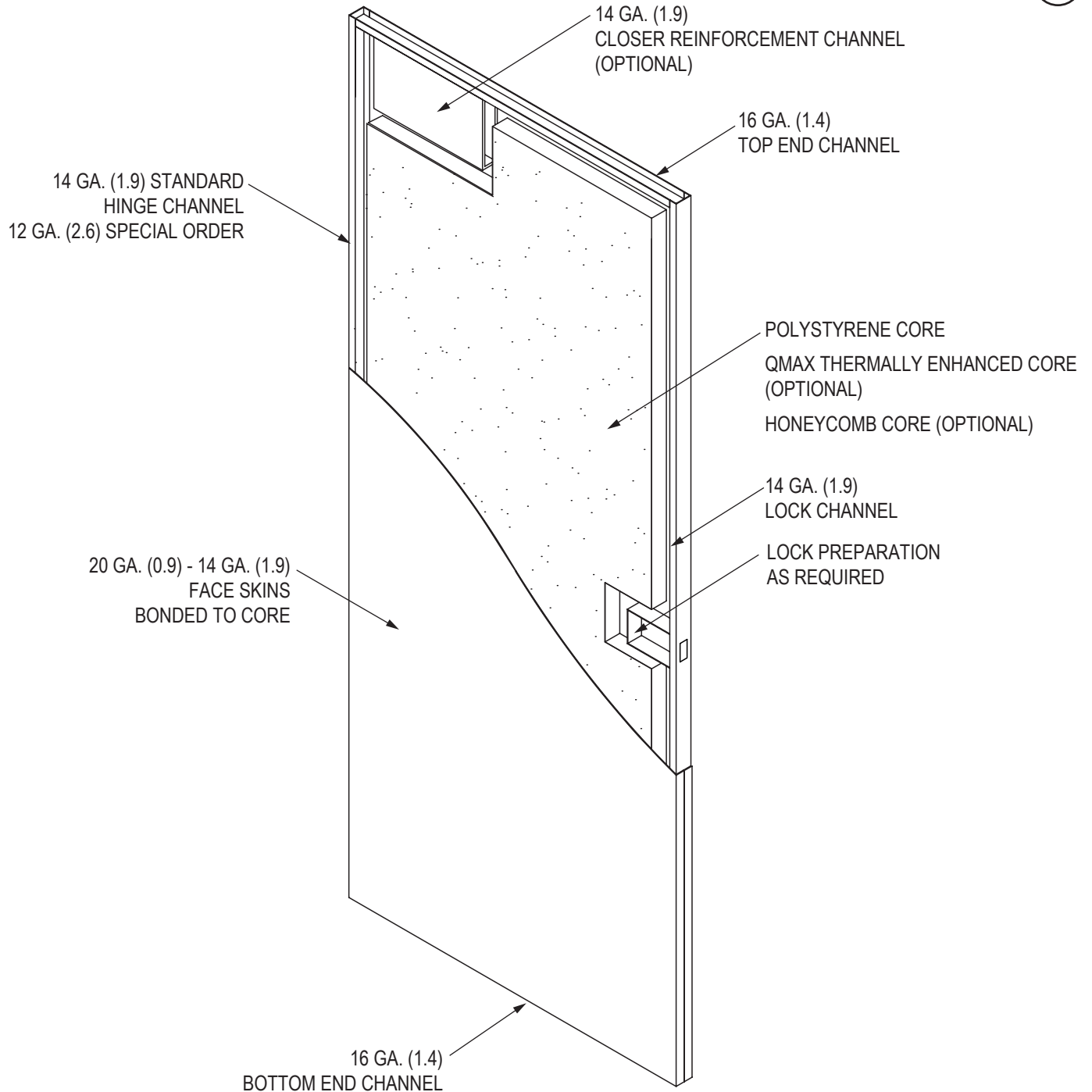
COUNTERSINK #6-20
SELF TAPPING SCREW.

SCREW APPLIED

CAP NOTCHED AT BOTH
ENDS TO FIT HINGE AND
LOCK CHANNELS.

END VIEW

Hinge Edge

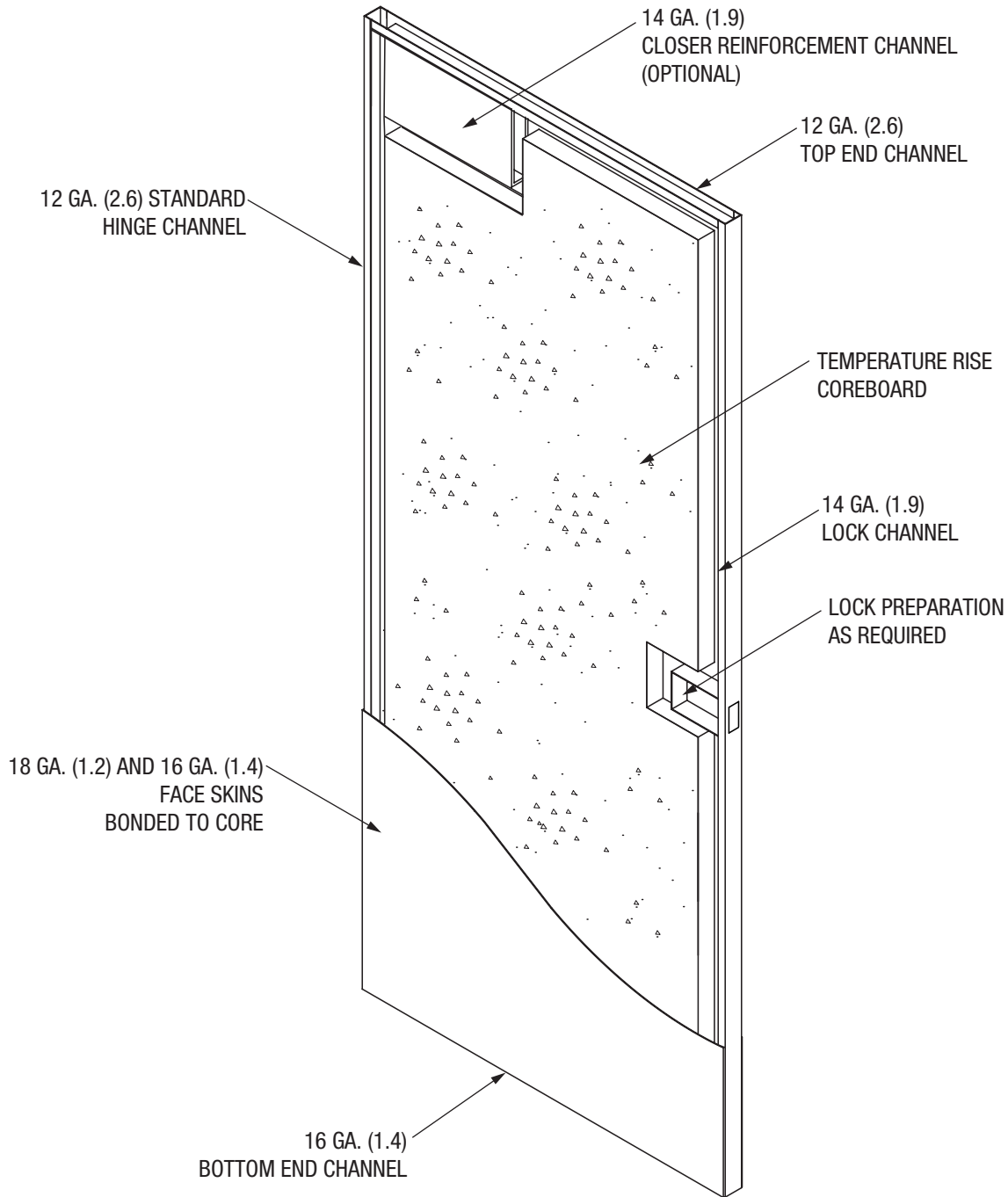


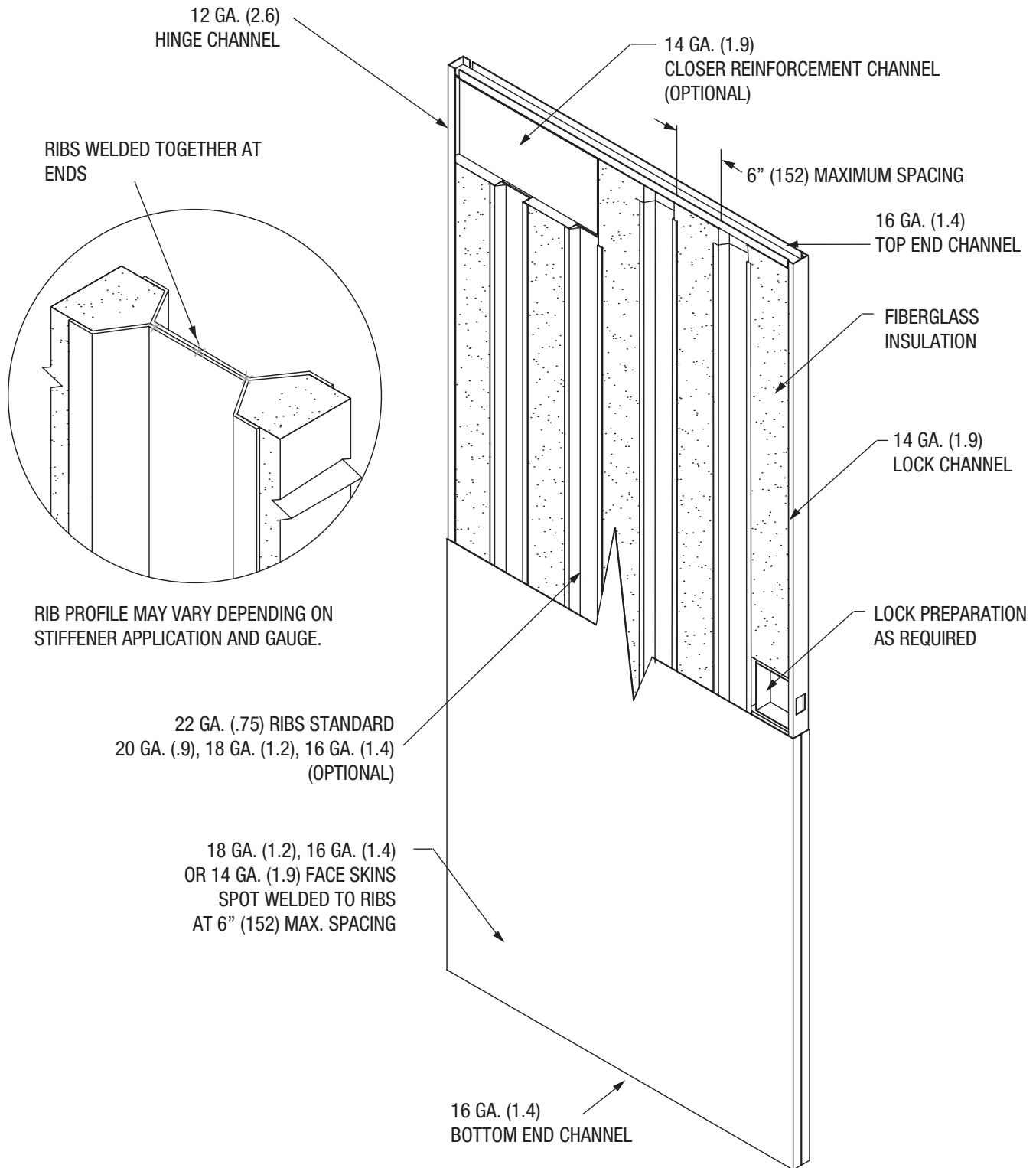
NOTE: SEE PAGE 162 FOR HONEYCOMB OPTION

March, 2015



250°F Temperature Rise Rating
450°F Temperature Rise Rating





A STEEL STIFFENED DOOR DESIGN IS AVAILABLE WITH A 450° TEMPERATURE RISE FIRE RATING ON PAGE 169.

April, 2002

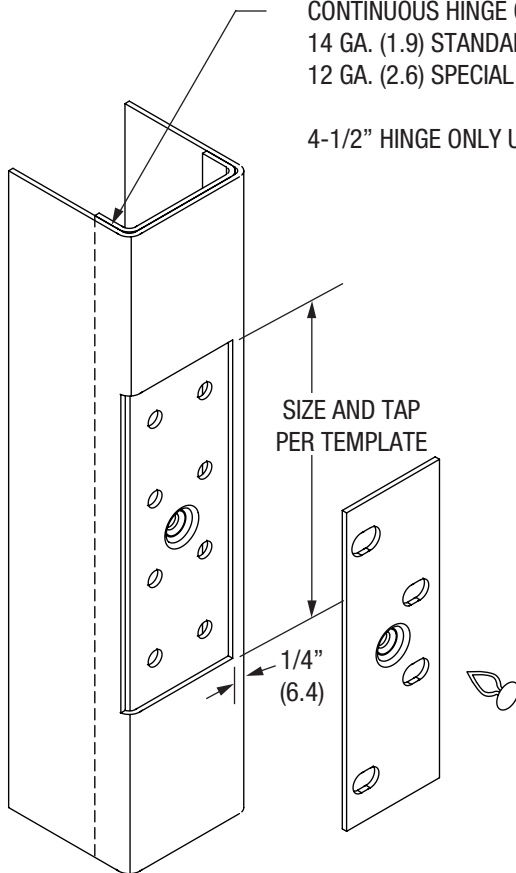
**HANDED - A BEVEL "ULTIMA"**

CONTINUOUS HINGE CHANNEL

14 GA. (1.9) STANDARD

12 GA. (2.6) SPECIAL ORDER - STANDARD AS NOTED PER DOOR SERIES

4-1/2" HINGE ONLY ULTIMA SHIM STANDARD FOR 4-1/2" HINGE STANDARD AND HEAVYWEIGHT

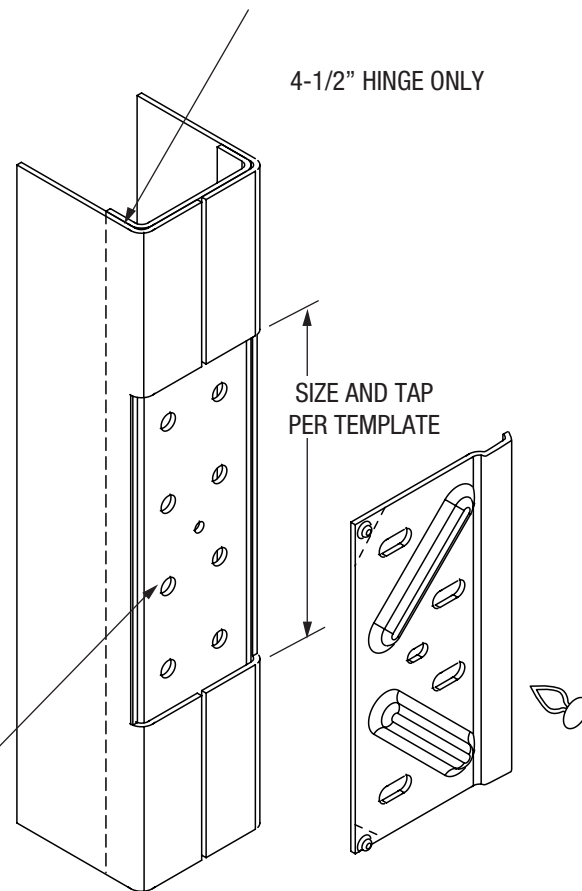
**NON HANDED - B BEVEL - "ULTIMA"**

CONTINUOUS HINGE CHANNEL

14 GA. (1.9) STANDARD

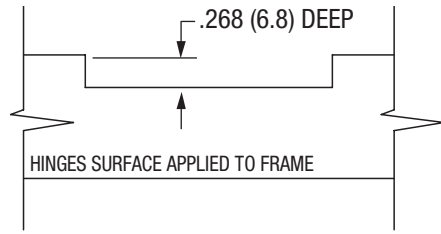
12 GA. (2.6) SPECIAL ORDER - STANDARD AS NOTED PER DOOR SERIES

4-1/2" HINGE ONLY

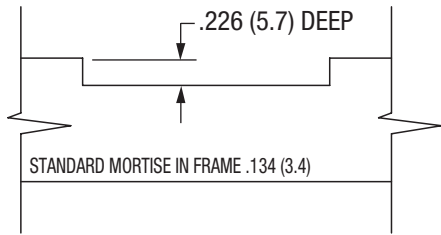


SCREW HOLES ARE EXTRUDED TO PROVIDE
 THREAD DEPTH EQUAL TO 10 GA. (3.4) PLATE
 (14 GA. (1.9))
 3/16" (4.8) PLATE (12 GA. (2.6))

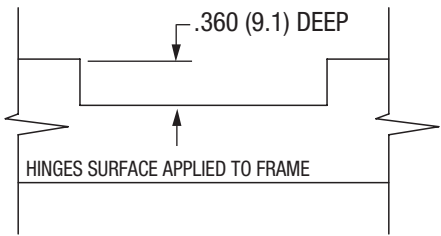
HINGE PREPARATIONS OTHER THAN 4-1/2" ARE SIZE AND TAP PER TEMPLATE.



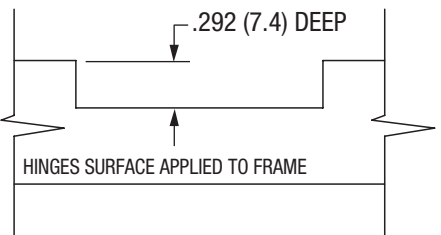
4-1/2" (114.3) STANDARD WEIGHT (.134) (3.4)
DOUBLE MORTISE
HINGES
S.D.M.



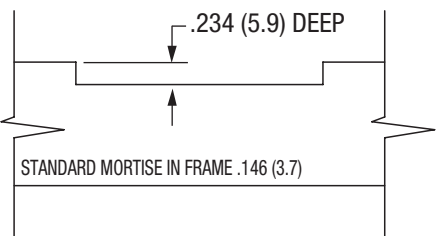
4-1/2" (114.3) HEAVY WEIGHT (.180) (4.6)
OVER MORTISE
HINGES
H.O.M.



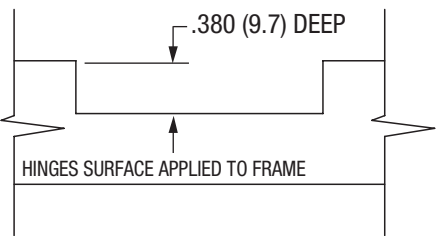
4-1/2" (114.3) HEAVY WEIGHT (.180) (4.6)
DOUBLE MORTISE
HINGES
H.D.M.



5" (127) STANDARD WEIGHT (.146) (3.7)
DOUBLE MORTISE
HINGES
S.D.M.



5" (127) HEAVY WEIGHT (.190) (4.8)
OVER MORTISE
HINGES
H.O.M.



5" (127) HEAVY WEIGHT (.190) (4.8)
DOUBLE MORTISE
HINGES
H.D.M.

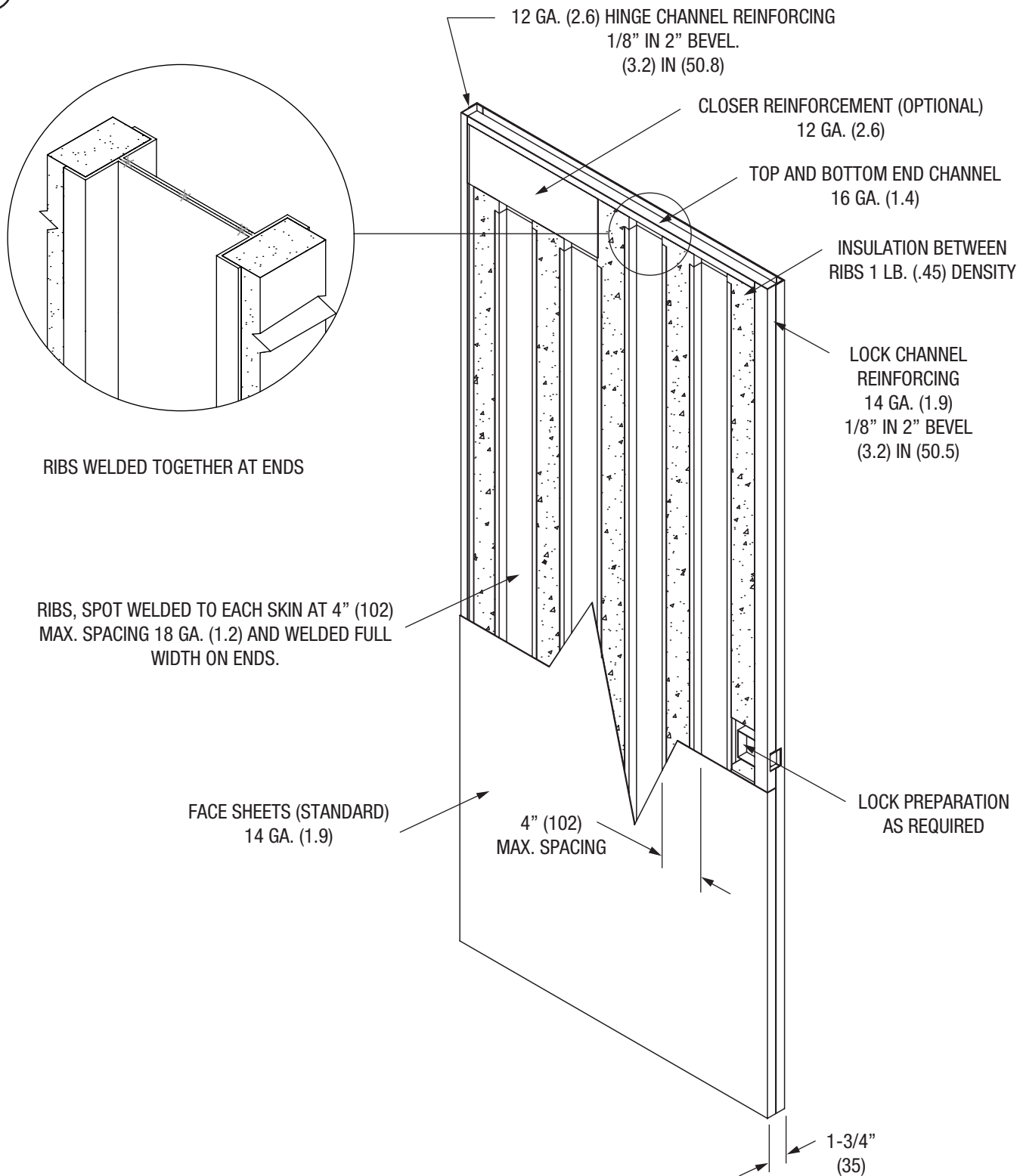
NOTE: ULTIMA 4-1/2" (114.3) HINGE GIVES THE OPTION OF STANDARD OR HEAVY WEIGHT.

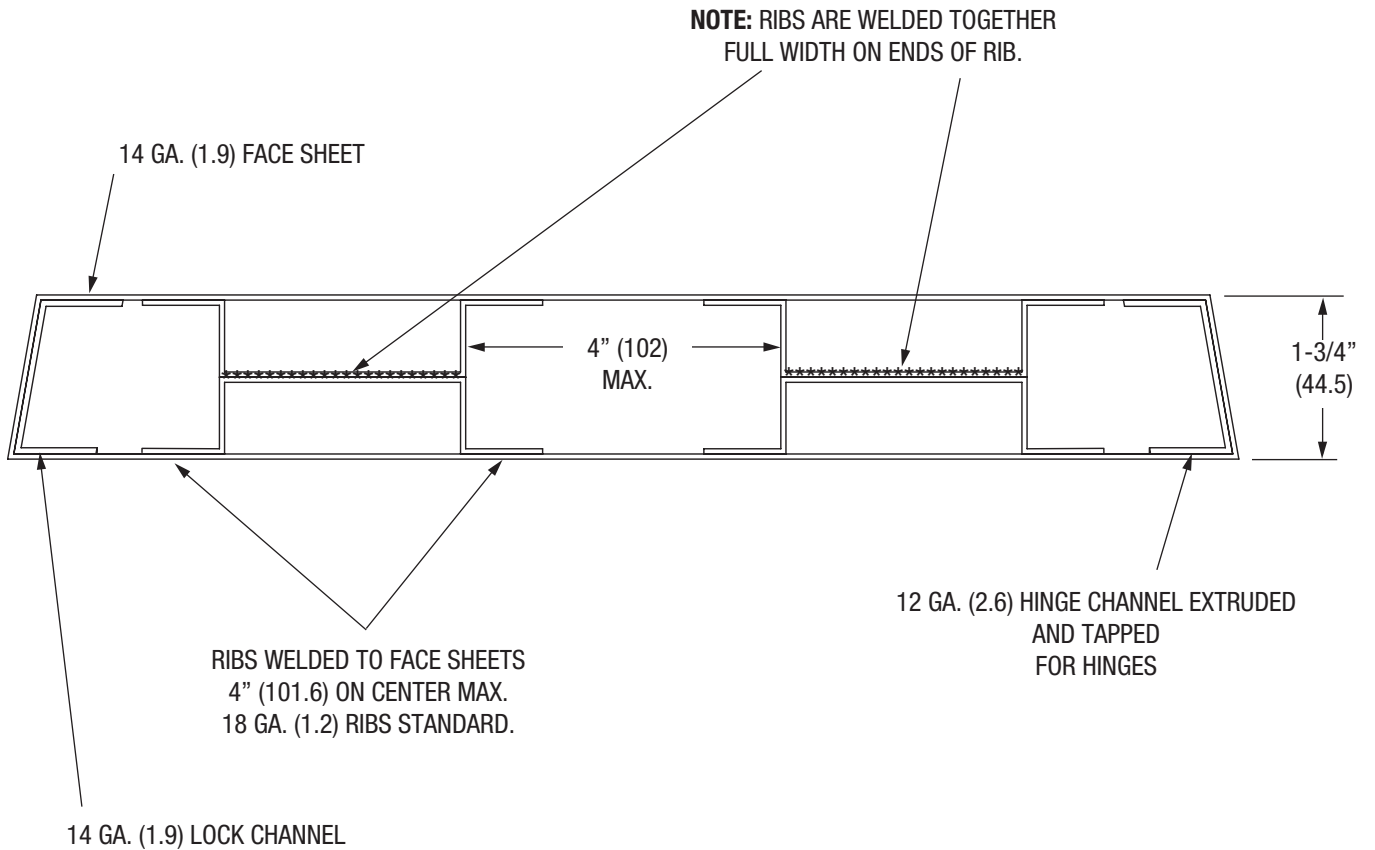
10
847 Security Door Construction

Door Technical Data

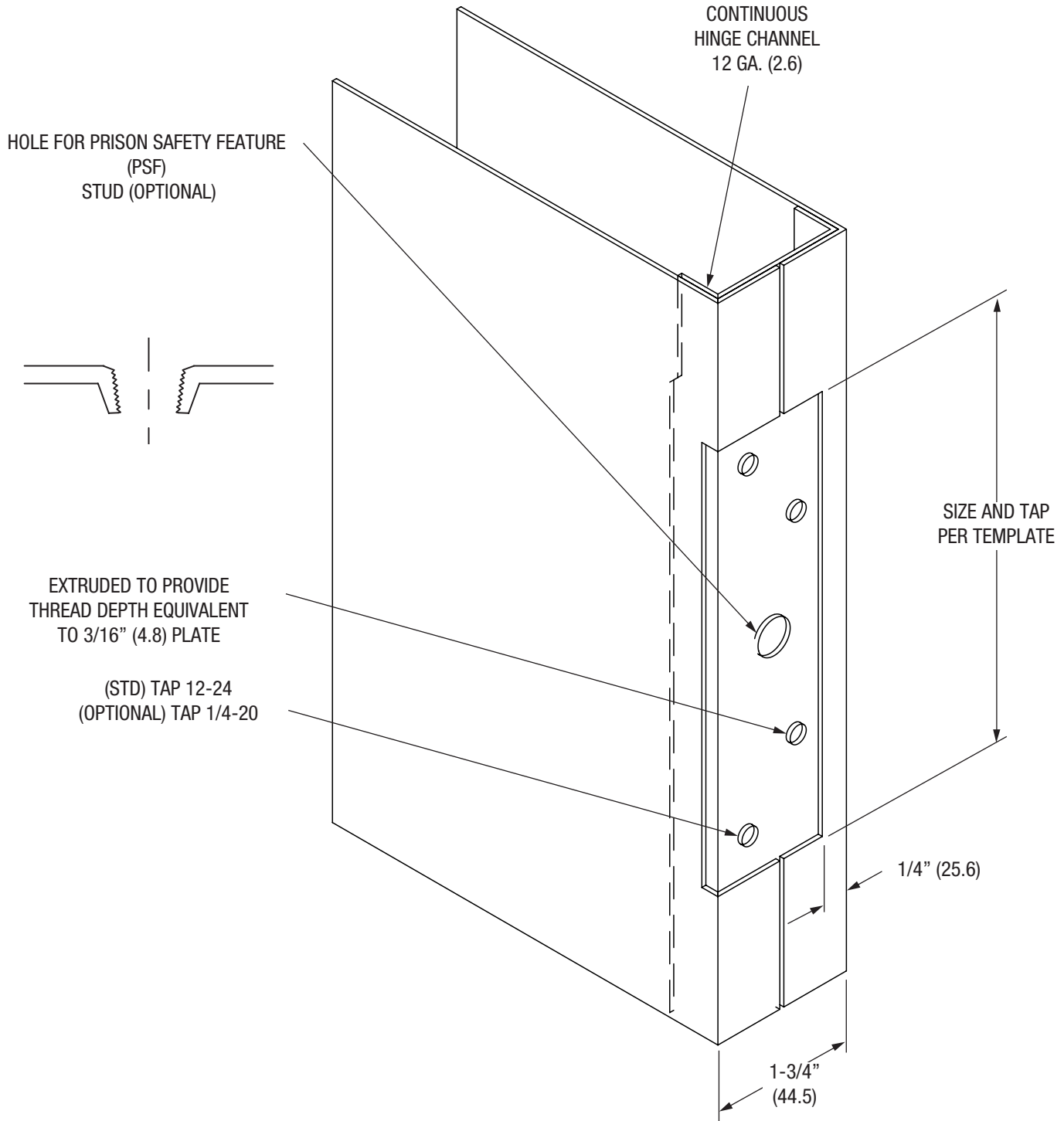
April, 2002

L





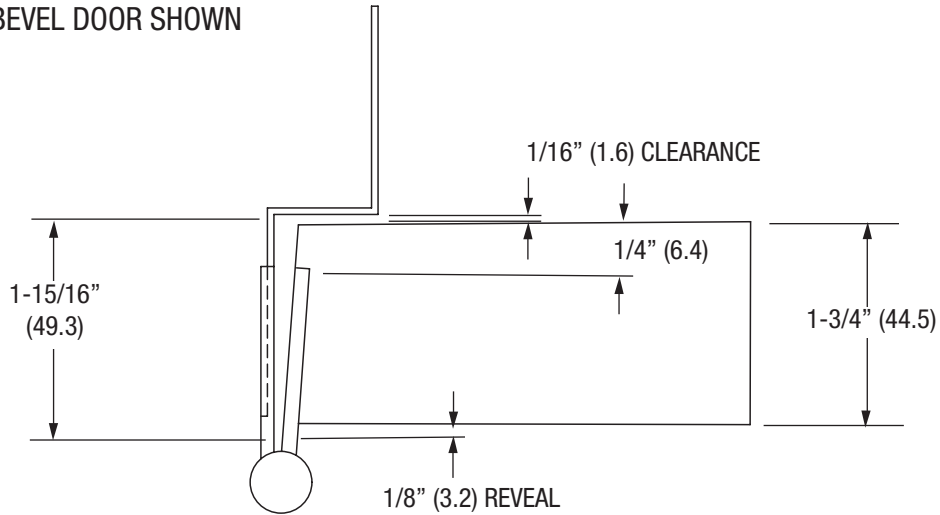
April, 2002



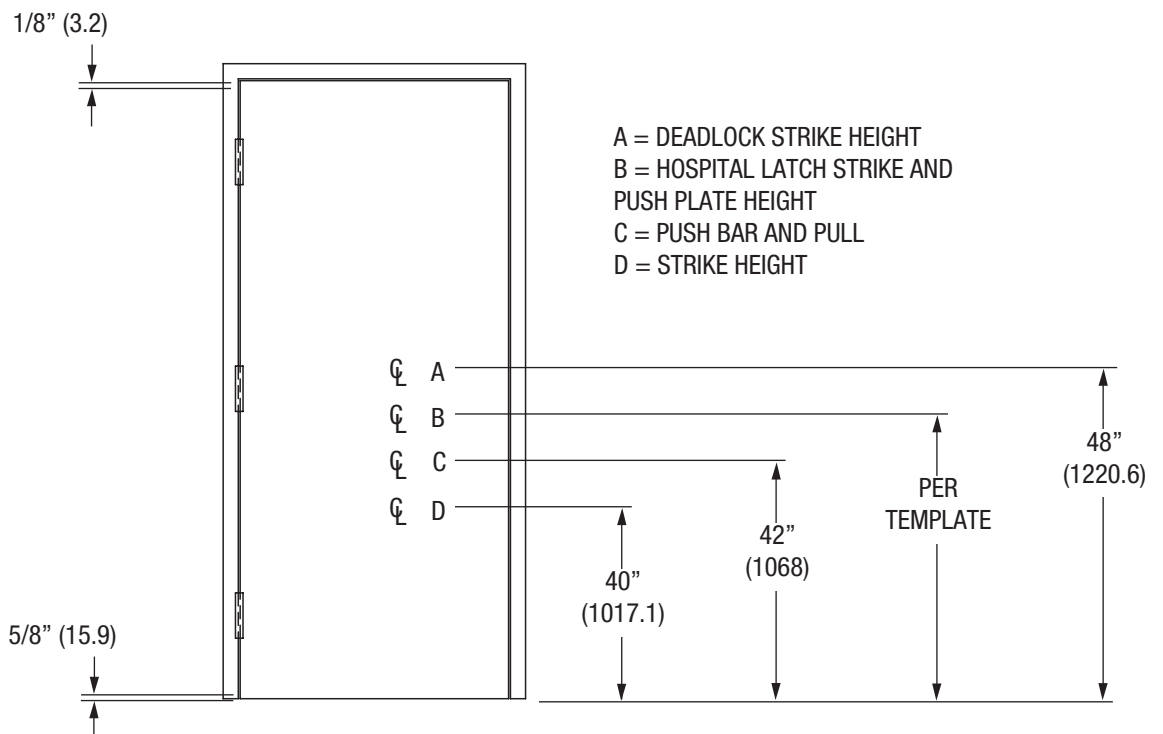


STANDARD HINGE BACKSET

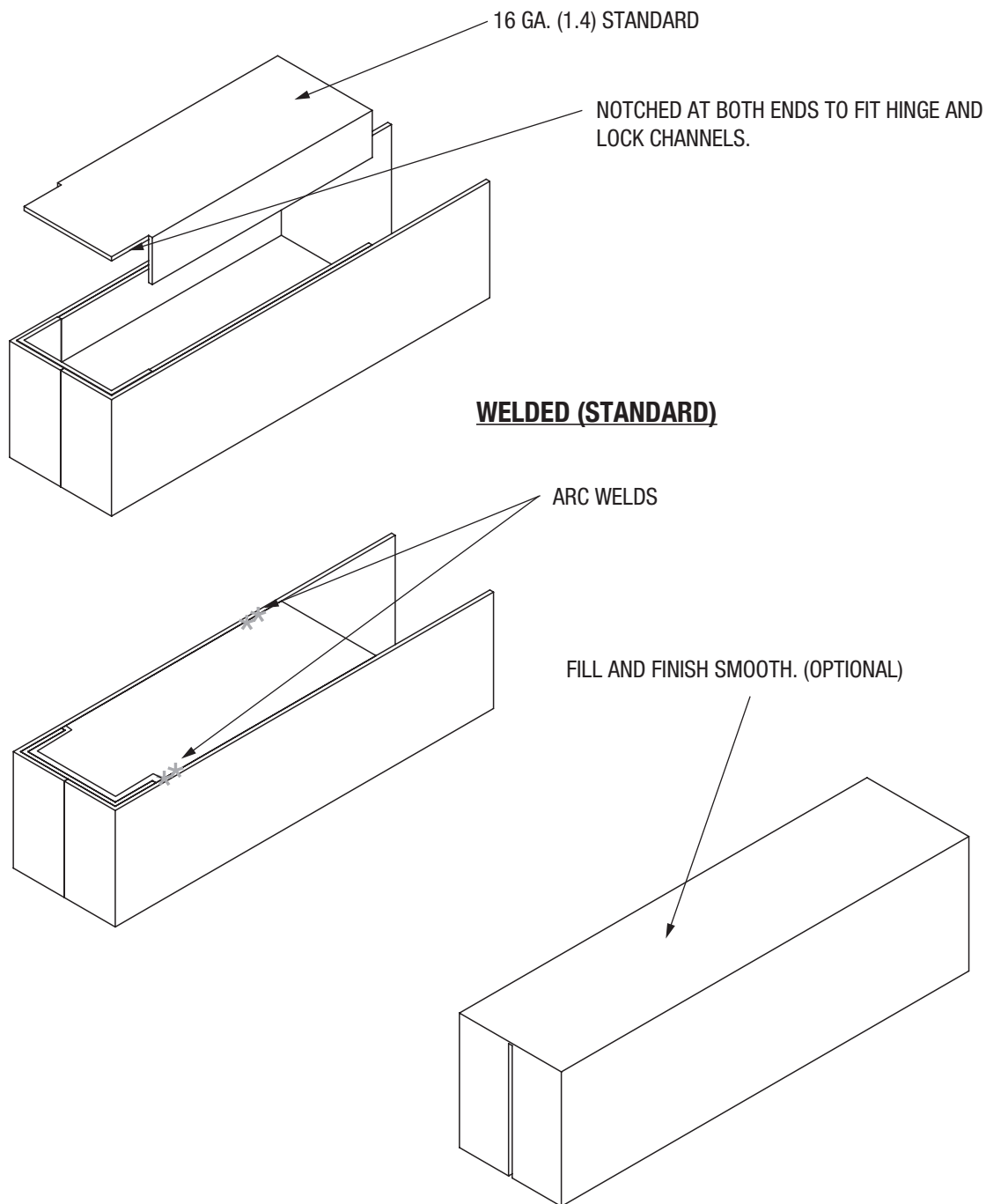
"G" BEVEL DOOR SHOWN



STRIKE LOCATIONS

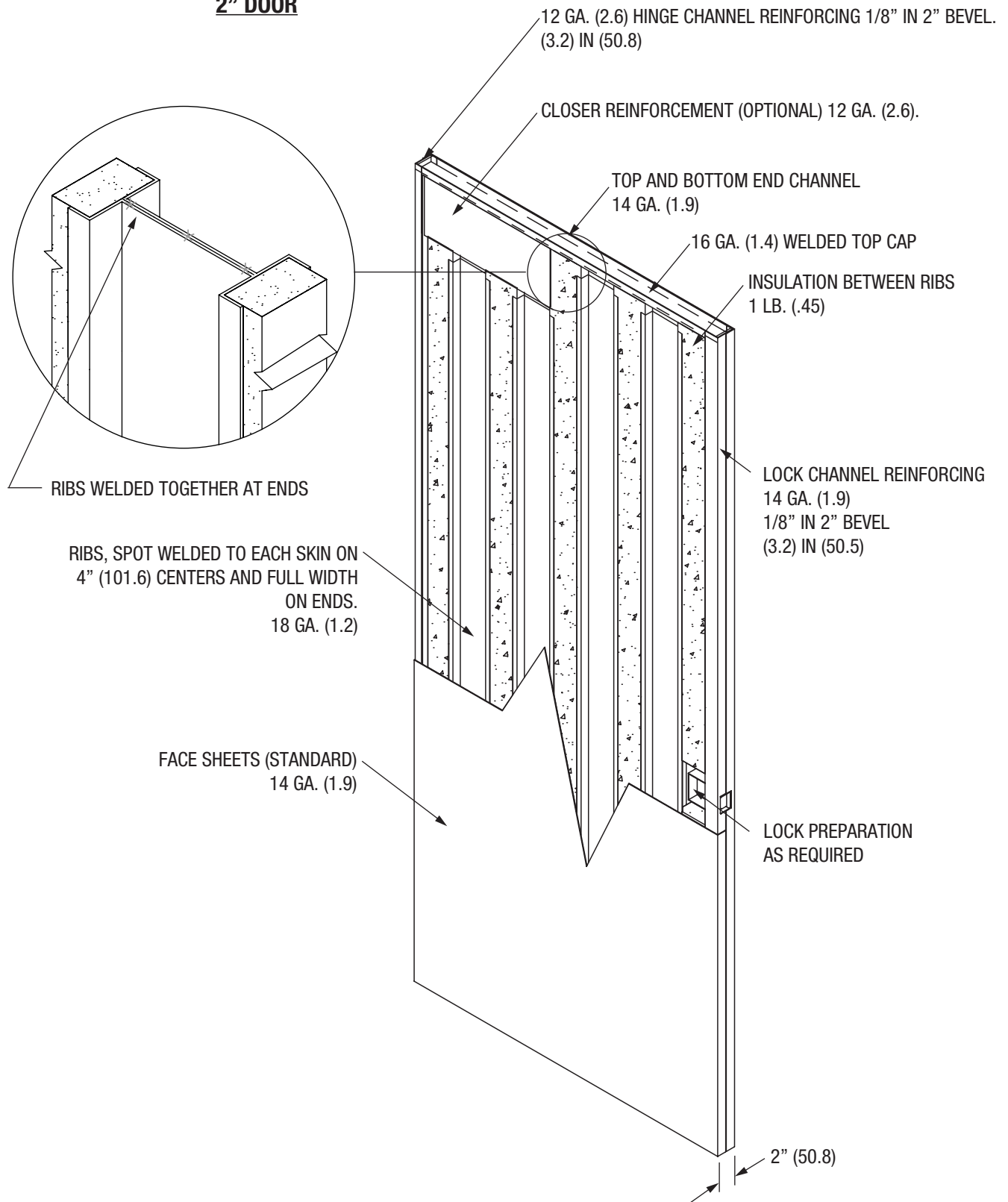


April, 2002





2" DOOR

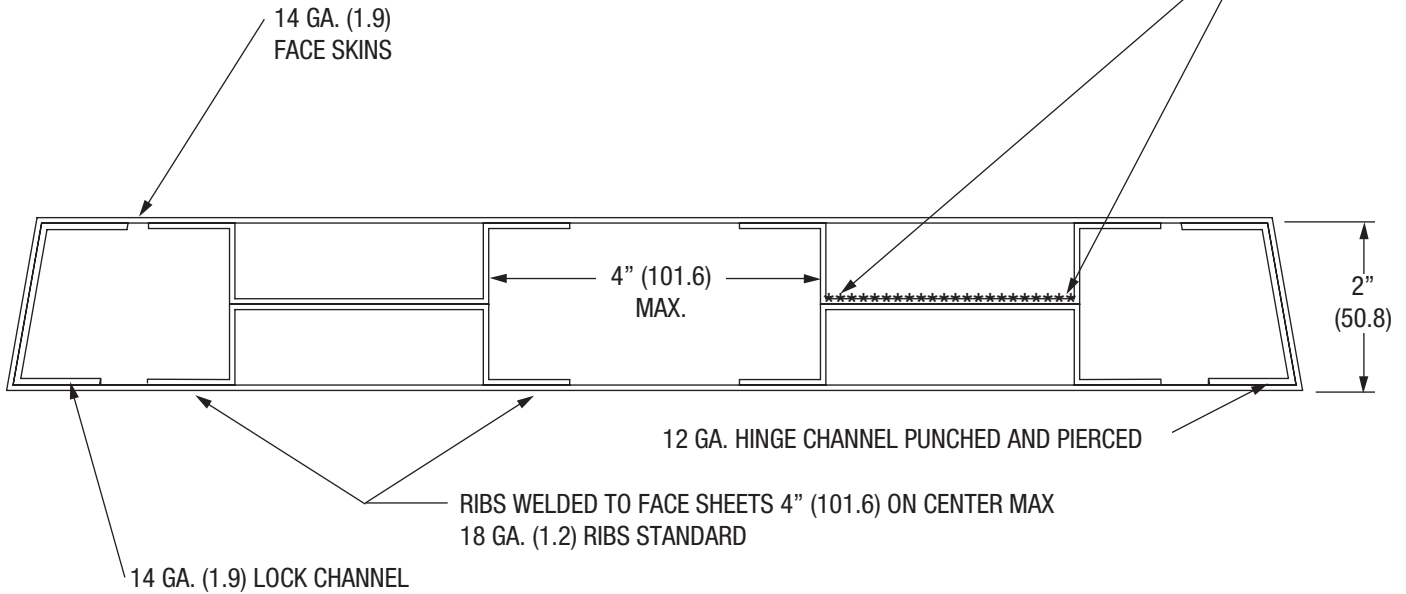


April, 2002



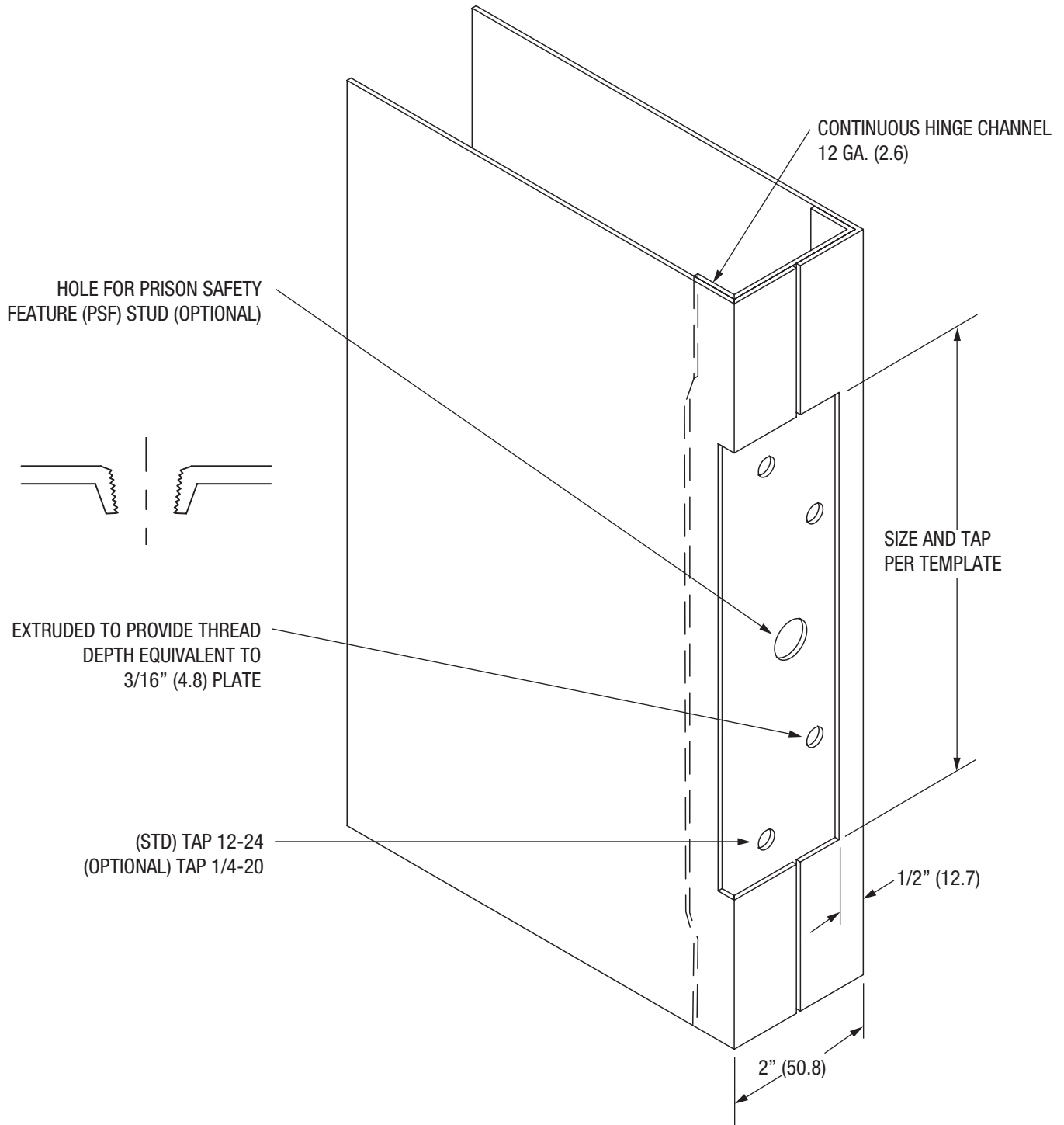
2" DOOR

NOTE: RIBS ARE WELDED FULL WIDTH ON ENDS





2" DOOR



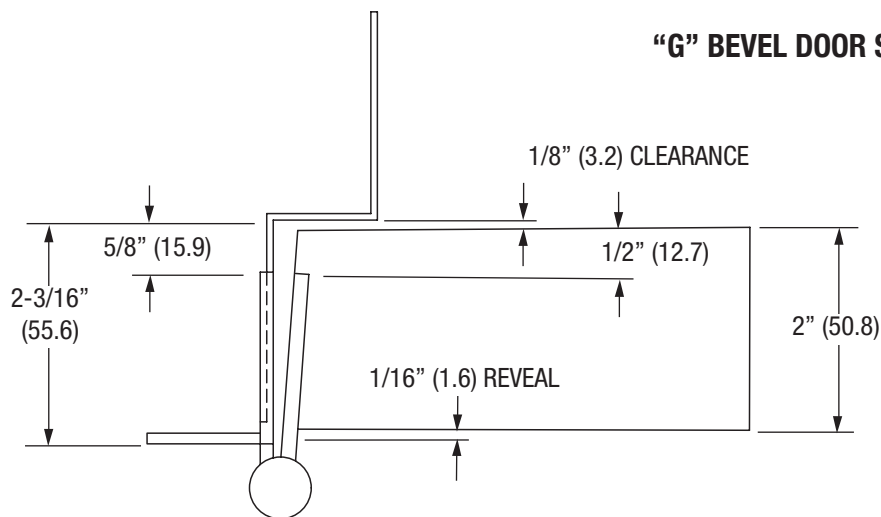
April, 2002



STANDARD HINGE BACKSET

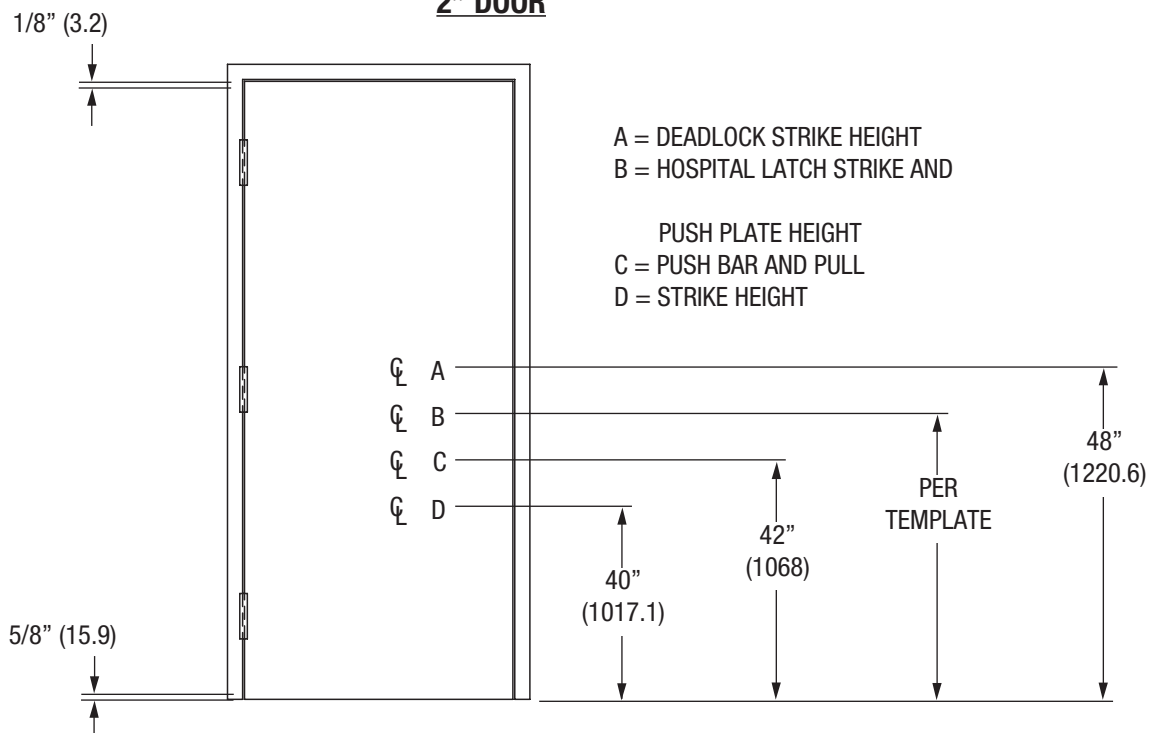
2" DOOR

"G" BEVEL DOOR SHOWN



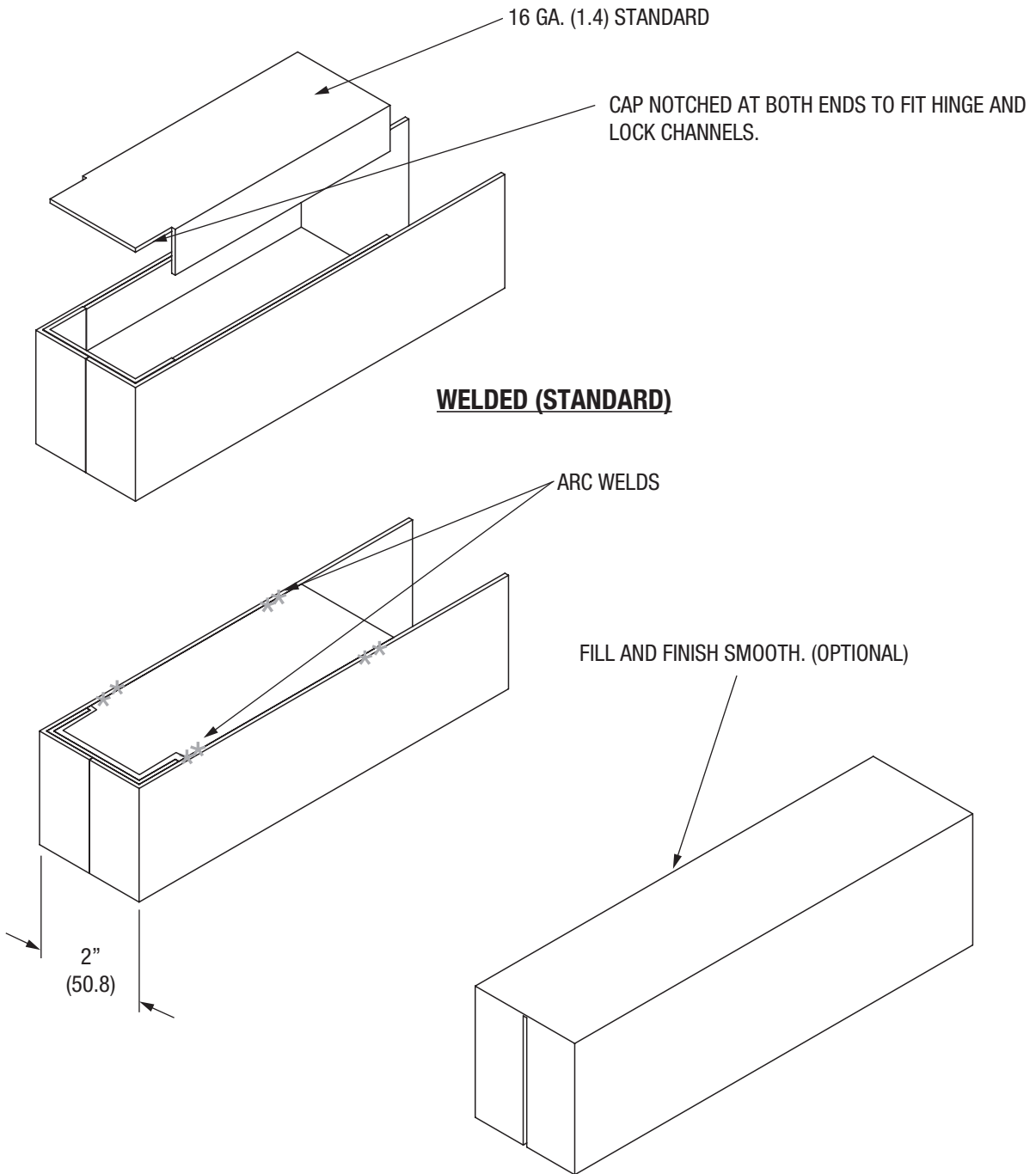
STRIKE LOCATIONS

2" DOOR





2" DOOR



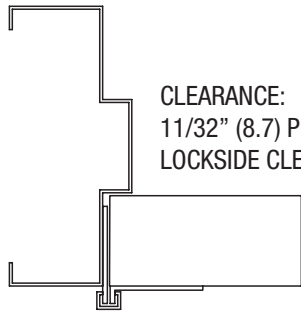
April, 2002



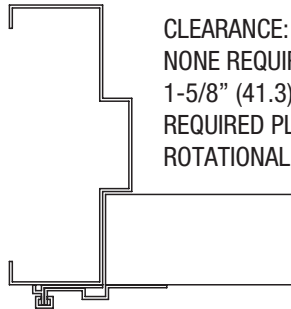
CONTINUOUS LOCK CHANNEL

NOTE: DOOR SIZE REQUIREMENTS DETERMINED BY HINGE MANUFACTURERS TEMPLATES AND MOUNTING INSTALLATION.

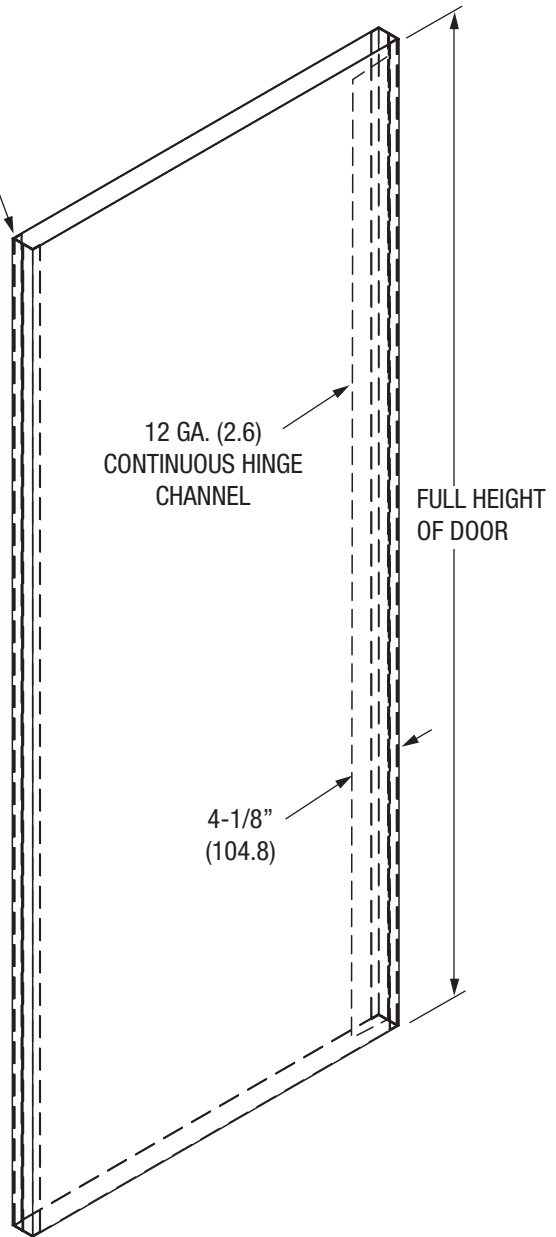
CONTINUOUS GEAR HINGE APPLICATIONS
(CLEARANCE VARIES PER MANUFACTURER)



CLEARANCE:
11/32" (8.7) PLUS STANDARD
LOCKSIDE CLEARANCE



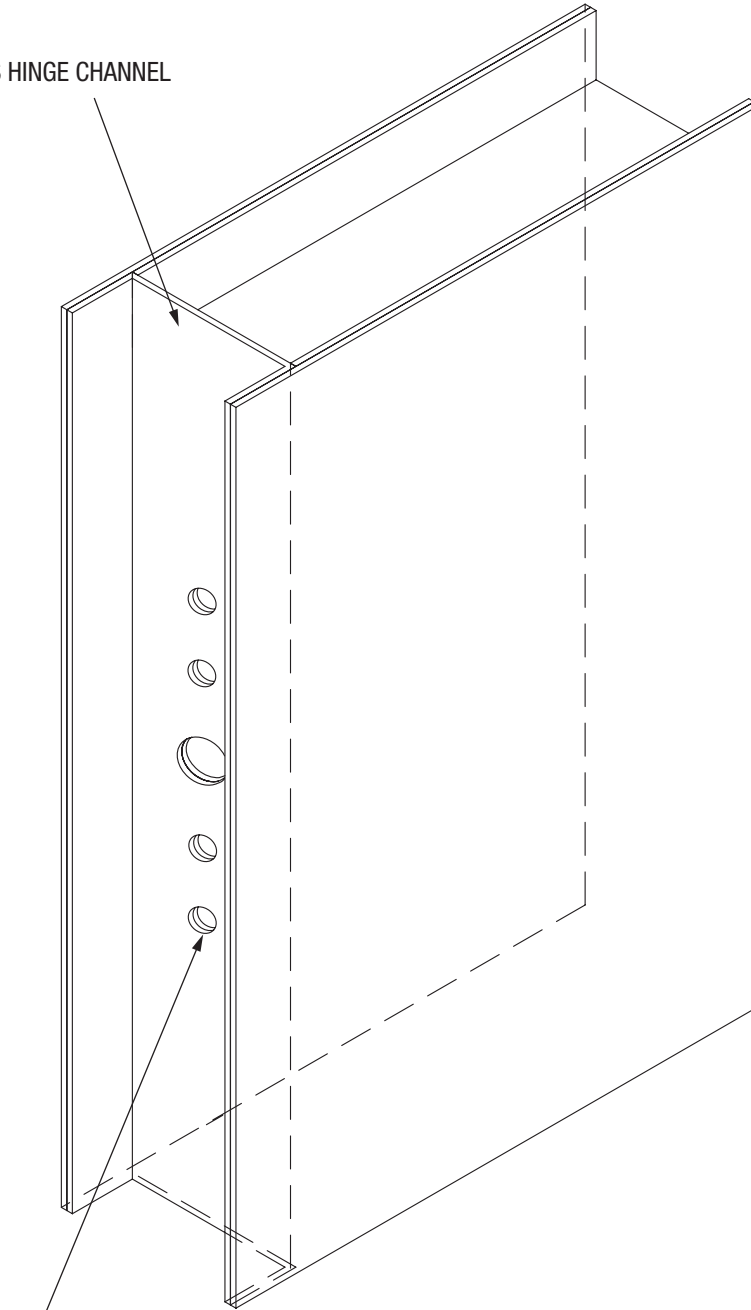
CLEARANCE:
NONE REQUIRED
1-5/8" (41.3) MINIMUM FRAME FACE
REQUIRED PLUS 3/16" (4.8)
ROTATIONAL CLEARANCE



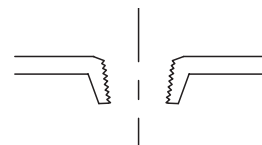
USE FOR SURFACE APPLIED BUTT AND CONTINUOUS HINGES WITHOUT THE NEED FOR THRU-BOLTS.



12 GA. (2.6) CONTINUOUS HINGE CHANNEL



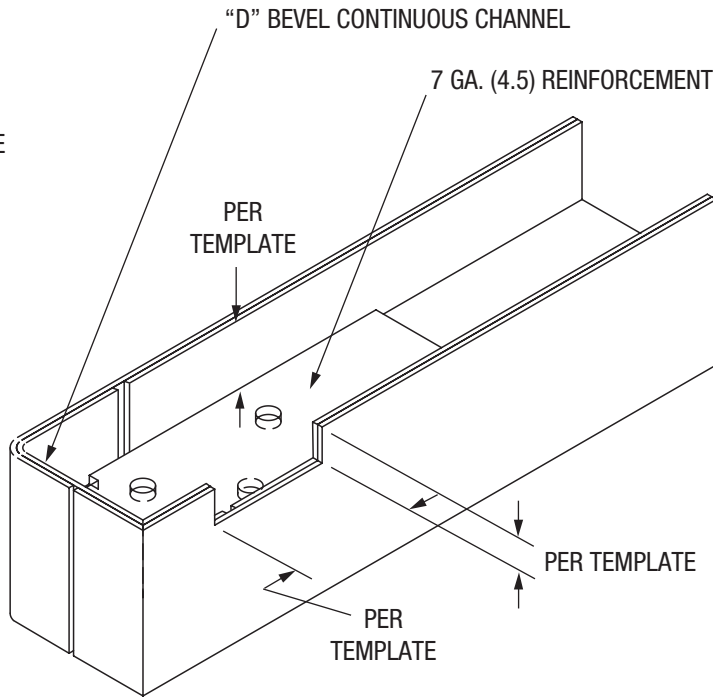
EXTRUDED AND TAPPED PER TEMPLATE
SCREW HOLES ARE EXTRUDED TO PROVIDE THREAD DEPTH
EQUAL TO 3/16" (4.8)



April, 2002

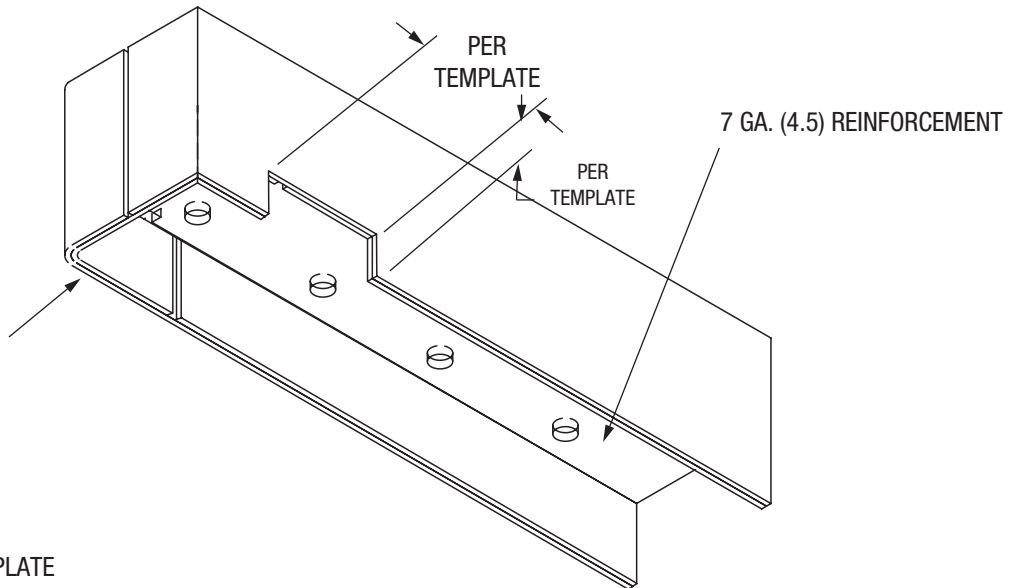


TOP PIVOT
SIZE AND TAP PER TEMPLATE



"D" BEVEL
CONTINUOUS CHANNEL

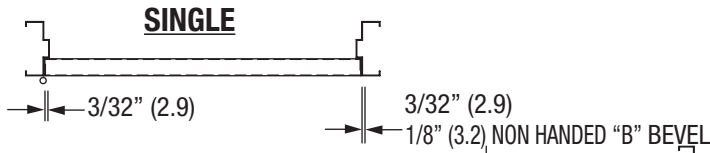
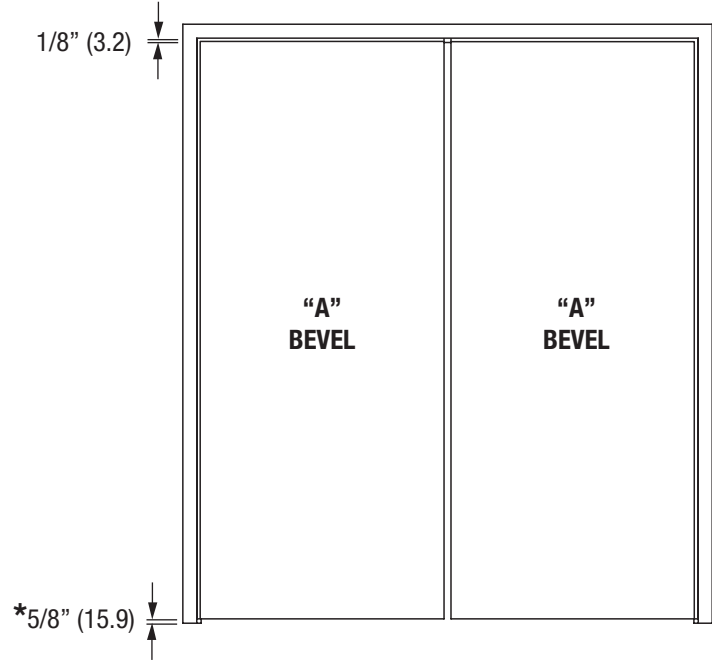
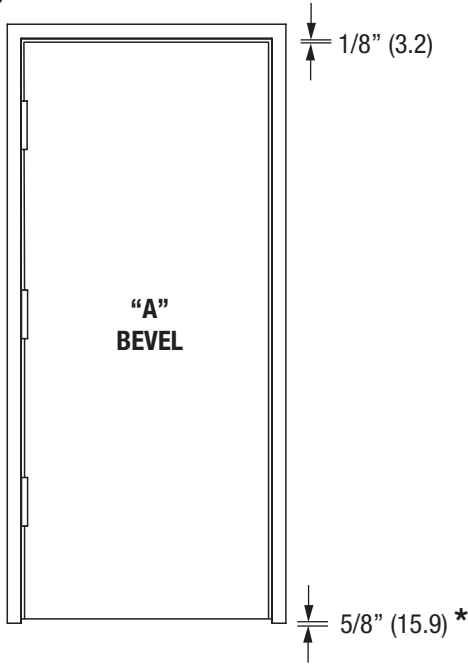
BOTTOM PIVOT
SIZE AND TAP PER TEMPLATE



March, 2012

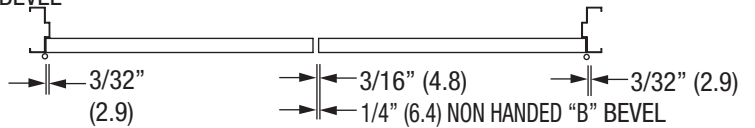
Doors ordered for other than CURRIES locations will get the standard undercut of the specified manufacturer.

L

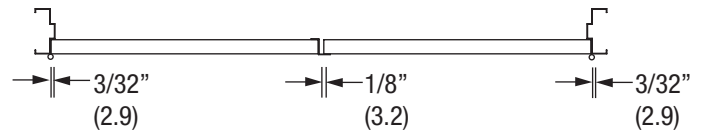


PAIR

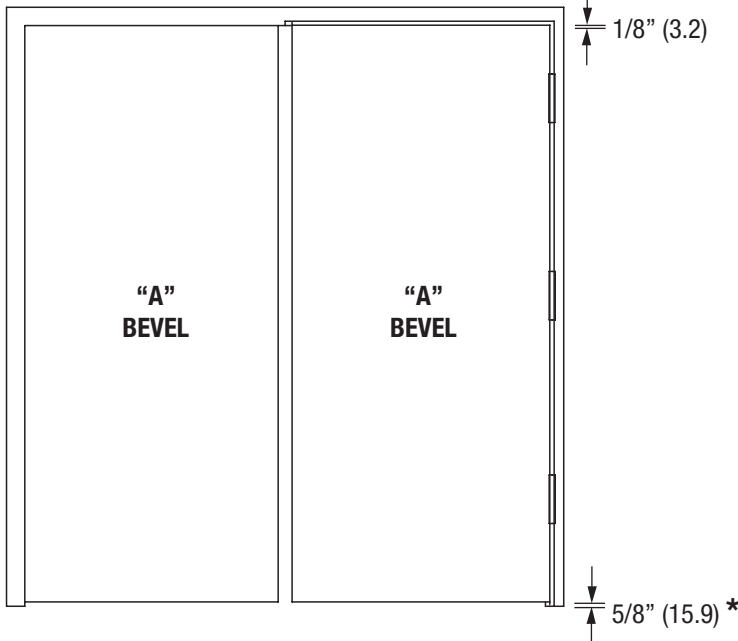
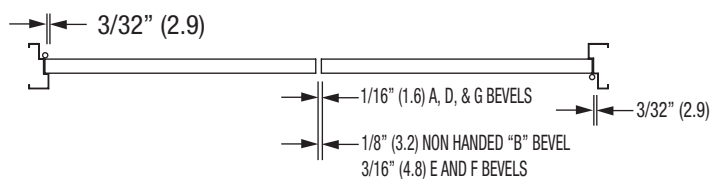
WITHOUT ASTRAGAL



WITH "Z" ASTRAGAL



DOUBLE EGRESS (E) +



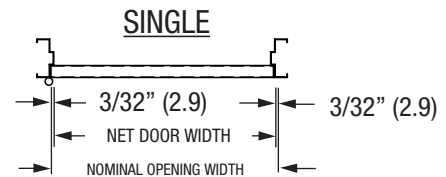
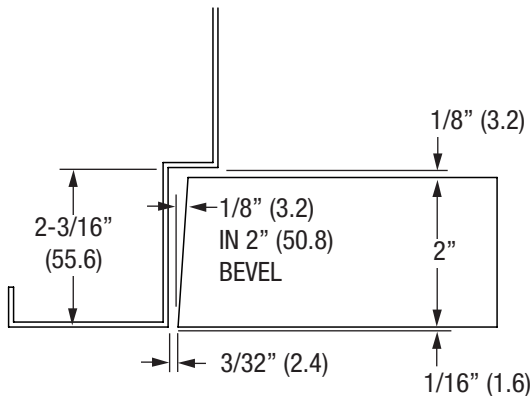
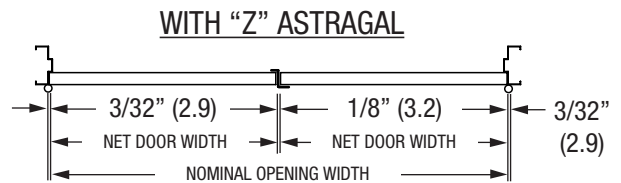
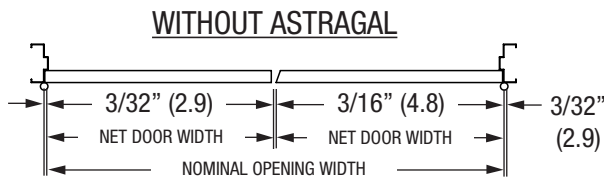
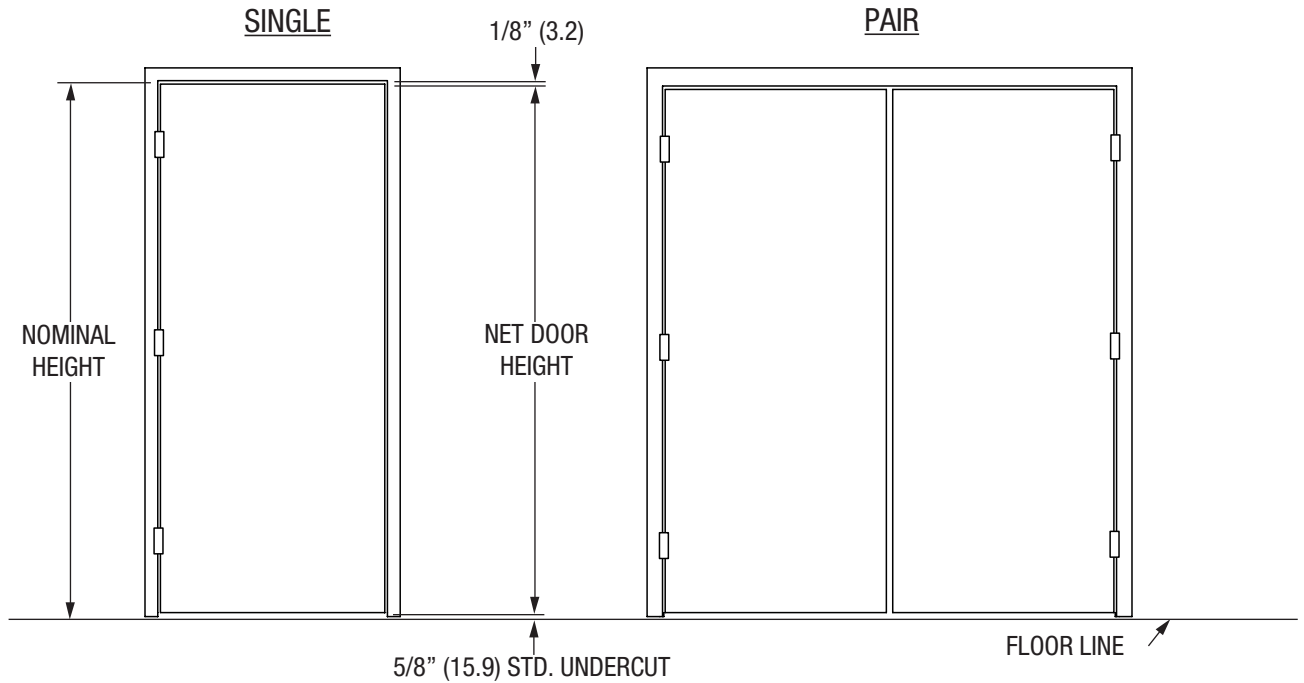
* **NOTE:** The 5/8" (15.9) standard bottom undercut shown on the above drawings are for 1-3/4" (44.5) doors, 1-3/8" doors have a 3/4" (19.1) standard bottom undercut.

+**NOTE:** E code (double opening) doors are oversize 1/16" from standard for double egress.

Doors ordered for other than CURRIES locations will get the standard undercut of the specified manufacturer.



2" DOOR



April, 2002



SQUARE



1/8" IN 2" BEVEL
(3.2) IN (50.8)

STANDARD DOOR BEVEL

SQUARE



SQUARE

DOOR BEVEL (NON-HANDED)
POCKET DOOR, TRANSOM PANEL,
SIDELITE PANEL

1/8" IN 2" BEVEL
(3.2) IN (50.8)
WITH 1/4" (6.4) RADIUS
LOW SIDE



1/8" IN 2" BEVEL
(3.2) IN (50.8)

REQUIRED WITH ALL OFFSET PIVOT HARDWARE
VERIFY ALL HARDWARE ADAPTABILITY

2-5/8" (66.8)
RADIUS OR
*HARDWARE WILL DETERMINE
THE RADIUS



2-5/8" (66.8)
RADIUS
RADIUS SHOULD MATCH
HINGE EDGE

BULL NOSE BOTH ENDS ("N" OR "T" EDGE ONLY)
REQUIRED WITH SOME DOUBLE ACTING HARDWARE
VERIFY ALL HARDWARE ADAPTABILITY

2-5/8" (66.8)
RADIUS



SQUARE

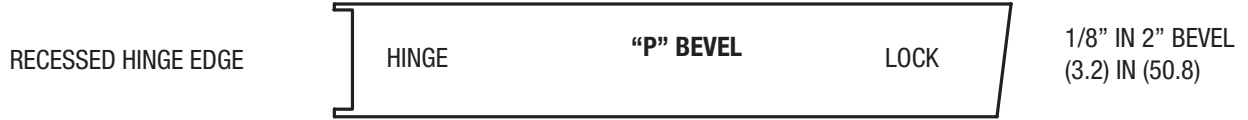
BULL NOSE BOTH ENDS ("N" OR "T" EDGE ONLY)
REQUIRED WITH DOUBLE ACTING HARDWARE
VERIFY ALL HARDWARE ADAPTABILITY

1/8" IN 2" BEVEL
(3.2) IN (50.8)



1/8" IN 2" BEVEL
(3.2) IN (50.8)

SPECIAL DOOR BEVEL
(DOUBLE BEVEL)



FOR POCKET PIVOTS



FOR POCKET PIVOTS

847 - 857 - Security Door Bevels

2" DOOR



STANDARD DOOR BEVEL
(DOUBLE BEVEL)



OPTIONAL DOOR BEVEL



OPTIONAL DOOR BEVEL
(NON-HANDED & HANDED) SLIDING DOORS



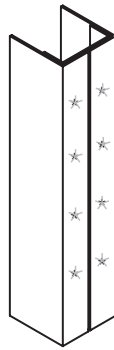
REQUIRED WITH ALL OFFSET PIVOT HARDWARE VERIFY ALL
 HARDWARE ADAPTABILITY
 OPTIONAL

December, 2014

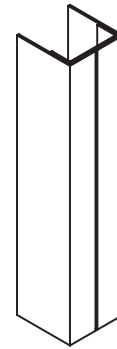


Visible Edge Seam Types “S”

1. Skins are spot welded to hinge and lock channels

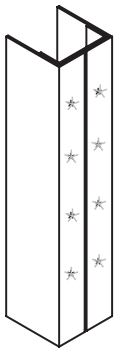


2. Spot welds are filled and ground smooth



Filled Flush Edge Seam Type “N”

1. Skins are spot welded to hinge and lock channels



2. Spot weld seams at stress points and between each “S” weld location

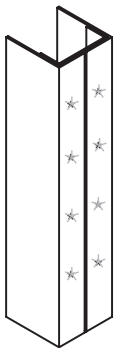


3. All welds and seams are filled and ground smooth

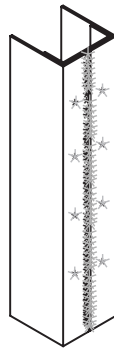


Flush Edge Seam Welded and Filled Type “T”

1. Skins are spot welded to hinge and lock channels



2. Continuously weld seam full height of edges



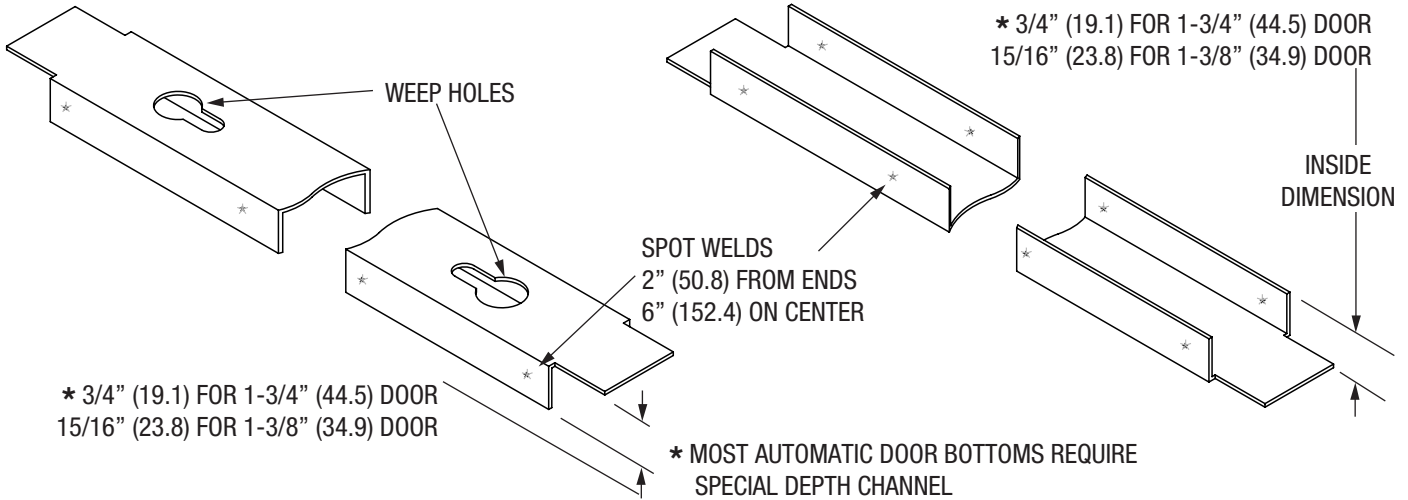
3. All welds and seams are filled and ground smooth



NOTE: NOT AVAILABLE ON 20 GAUGE DOORS

Experience a safer and more open world

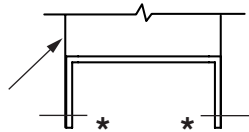
Standard Top/Bottom End Channels



BOTTOM CHANNEL

16 GA. (1.4)

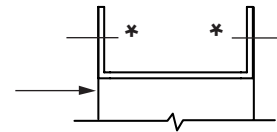
DOOR SKIN



TOP CHANNEL

16 GA. (1.4)

DOOR SKIN

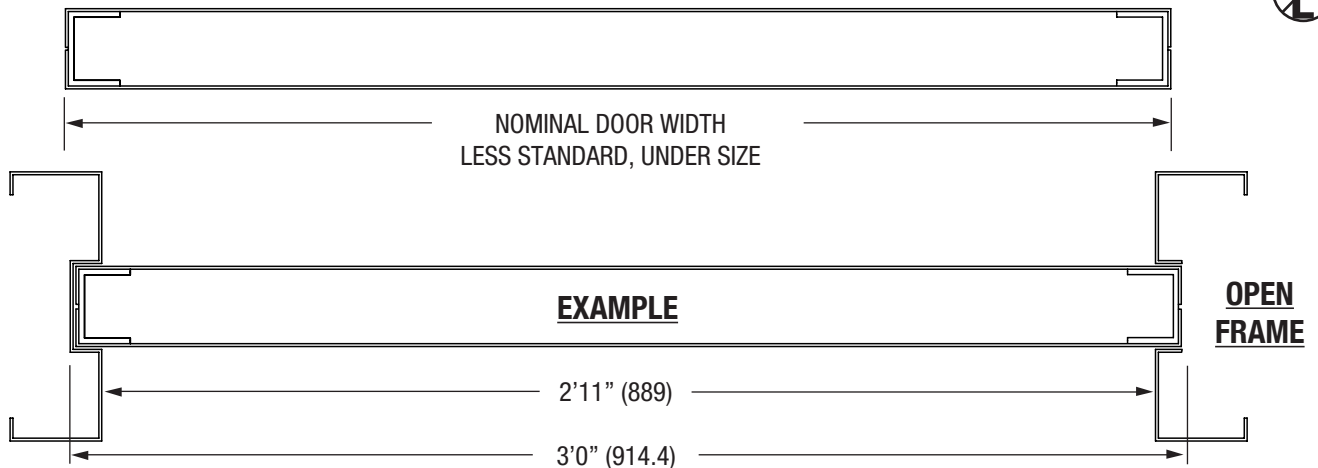


NOTE - CHANNEL GAUGE MAY VARY WITH DOOR SERIES

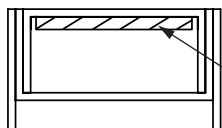
Pocket Door



"B" BEVEL BOTH EDGES SQUARE



TOP OF DOOR



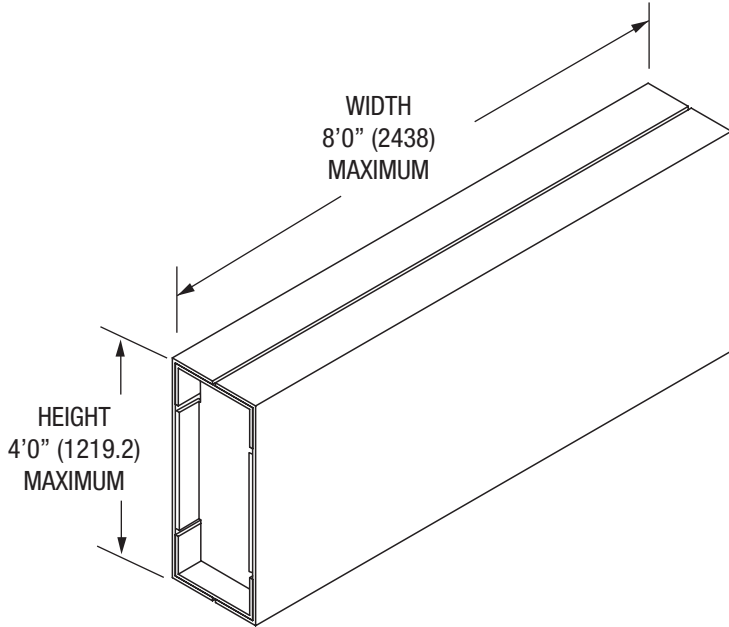
NOMINAL 3'0" (914.4) POCKET DOOR AND FRAME HAS A NET 2'11" (889) FRAME OPENING.

12 GA. (2.6) STANDARD OR 7 GA. (4.5) REINFORCEMENT AVAILABLE INSTALLED FULL WIDTH OF DOOR TOP CAP.

VERIFY HARDWARE HANGER ADAPTABILITY TO REINFORCEMENT AND FRAME OPENING

September, 2010

L **LABELED**



TRANSOM PANELS

SPECIFY USE OF PANEL AND LIST NOMINAL FRAME OPENING FOR CORRECT PANEL UNDERSIZING.

1-3/4"(44.5) PANEL 707 OR 747 - 18, 16, OR 14 GA.

TRANSOM PANEL INSTALLATION OPTIONS:

1. PANEL WELDED INTO FRAME
2. PANEL INSTALLED WITH SCREWS
3. PANEL INSTALLED WITH GLASS STOP
4. PANEL INSTALLED WITH SLIP-IN CHANNEL. SEE PAGE 134 IN THE FRAME SECTION (MUST NOTE ON BOTH DOOR AND FRAME ORDER)

HORIZONTAL CHANNELS



"B" BEVEL BOTH EDGES SQUARE

SIDE PANELS

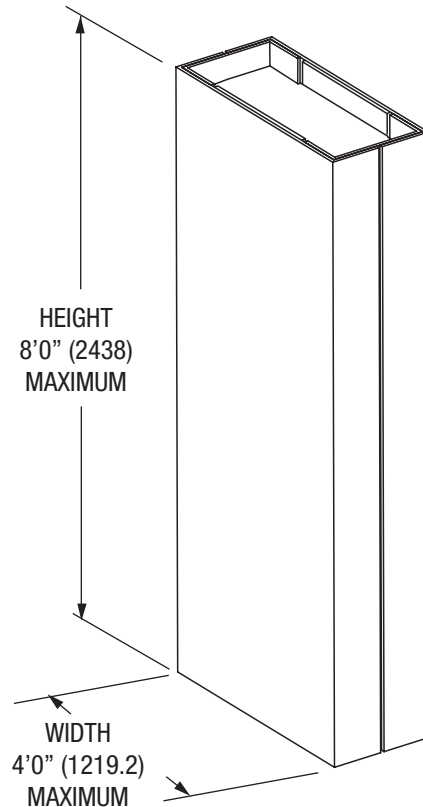
SPECIFY USE OF PANEL AND LIST NOMINAL FRAME OPENING FOR CORRECT PANEL UNDERSIZING.

1-3/4"(44.5) PANEL 707 OR 747 - 18, 16, OR 14 GA.

VERTICAL CHANNELS

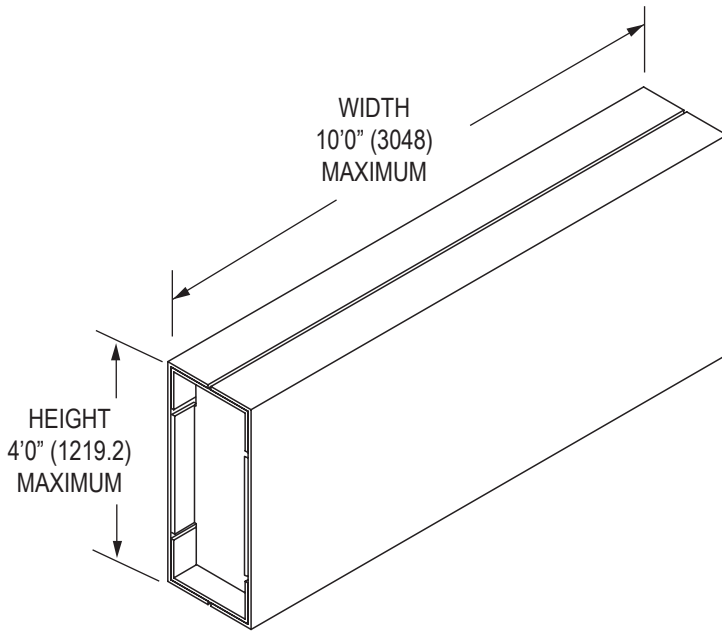


"B" BEVEL BOTH EDGES SQUARE



NOTE: SEE PAGES 81 AND 82 IN LABEL SECTION FOR OVERSIZE TRANSOM PANEL CAPABILITIES. REFERENCE LABEL SECTION OF TECH DATA MANUAL FOR MAXIMUM SQUARE INCH SIZE REQUIREMENTS AND OTHER FIRE LABEL CAPABILITIES.

Standard Top/Bottom End Channels



HORIZONTAL CHANNELS



"B" BEVEL BOTH EDGES SQUARE

SIDE PANELS AND DOOR PANELS

SPECIFY USE OF PANEL AND LIST NOMINAL FRAME OPENING FOR CORRECT PANEL UNDERSIZING.

1-3/4"(44.5) PANEL 707 OR 747 - 20, 18, 16, OR 14 GA.

VERTICAL CHANNELS



"B" BEVEL BOTH EDGES SQUARE

NON-LABELED

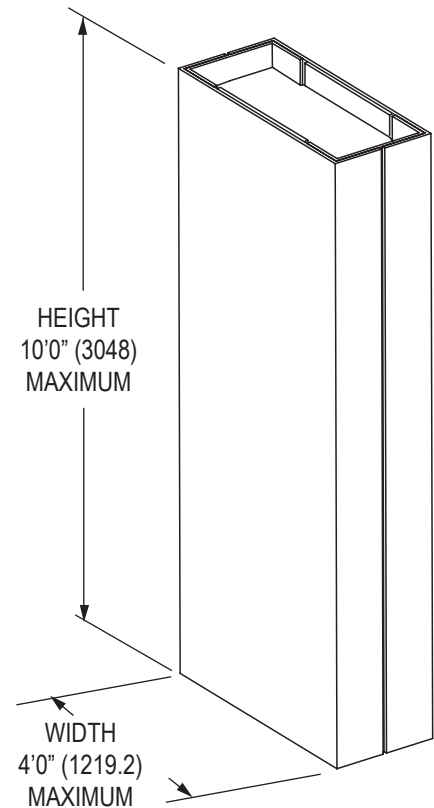
TRANSOM PANELS

SPECIFY USE OF PANEL AND LIST NOMINAL FRAME OPENING FOR CORRECT PANEL UNDERSIZING.

1-3/4"(44.5) PANEL 707 OR 747 - 20, 18, 16, OR 14 GA.

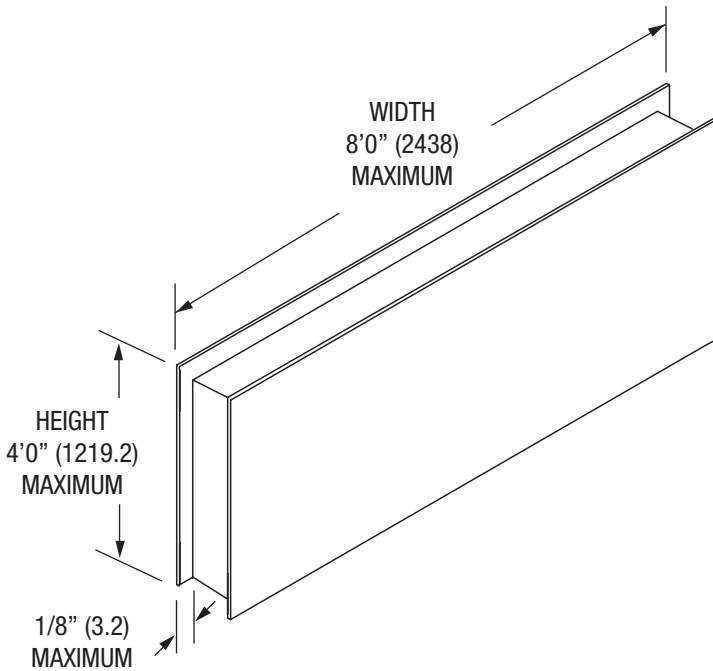
TRANSOM PANEL INSTALLATION OPTIONS:

1. PANEL WELDED INTO FRAME
2. PANEL INSTALLED WITH SCREWS
3. PANEL INSTALLED WITH GLASS STOP
4. PANEL INSTALLED WITH SLIP-IN CHANNEL. SEE PAGE 134 IN THE FRAME SECTION (MUST NOTE ON BOTH DOOR AND FRAME ORDER)



September, 2010

L LABELED



TRANSOM PANELS

SPECIFY USE OF PANEL AND LIST NOMINAL FRAME OPENING FOR CORRECT PANEL UNDERSIZING.

1/2" (12.7) PANEL MINERAL FIBREBOARD CORE
20, 18, OR 16 GA. FACE SKINS

PANEL INSTALLATION OPTIONS:

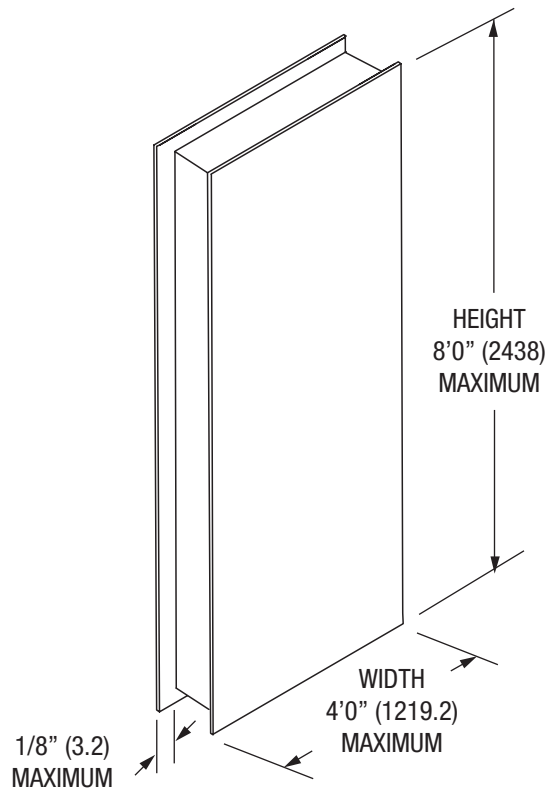
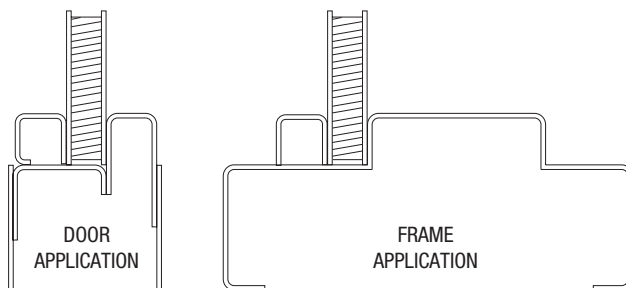
1. PANEL INSTALLED WITH GLASS STOP
2. PANEL INSTALLED INTO DOOR WINDOW KIT

SIDE PANELS AND/OR DOOR PANELS

SPECIFY USE OF PANEL AND LIST NOMINAL FRAME OPENING FOR CORRECT PANEL UNDERSIZING.

1/2" (12.7) PANEL MINERAL FIBREBOARD CORE
20, 18, OR 16 GA. FACE SKINS

NOTE: REFERENCE LABEL SECTION OF TECH DATA MANUAL FOR MAXIMUM SQUARE INCH SIZE CAPABILITIES FOR DOORS AND FRAMES.



NON-LABELED 

TRANSOM PANELS

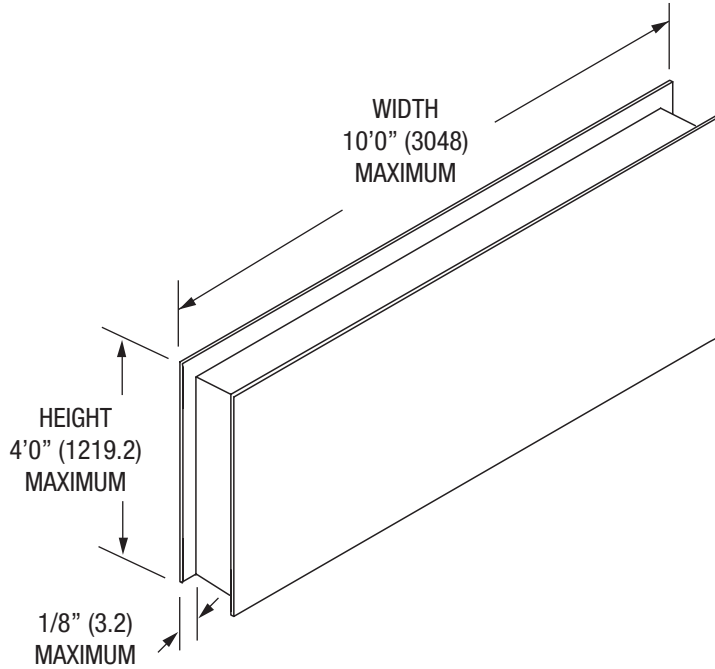
SPECIFY USE OF PANEL AND LIST NOMINAL FRAME OPENING FOR CORRECT PANEL UNDERSIZING.

- 1" (25.4) PANEL COMPOSITE CORE
- 7/8" (22.2) PANEL COMPOSITE CORE
- 3/4" (19.1) PANEL COMPOSITE CORE
- 5/8" (15.9) PANEL COMPOSITE CORE
- 1/2" (12.7) PANEL COMPOSITE CORE
- 3/8" (9.5) PANEL COMPOSITE CORE

20, 18, 16, AND 14 GA. FACE SKINS

TRANSOM PANEL INSTALLATION OPTIONS:

1. PANEL WELDED INTO FRAME
2. PANEL INSTALLED WITH SCREWS
3. PANEL INSTALLED WITH GLASS STOP

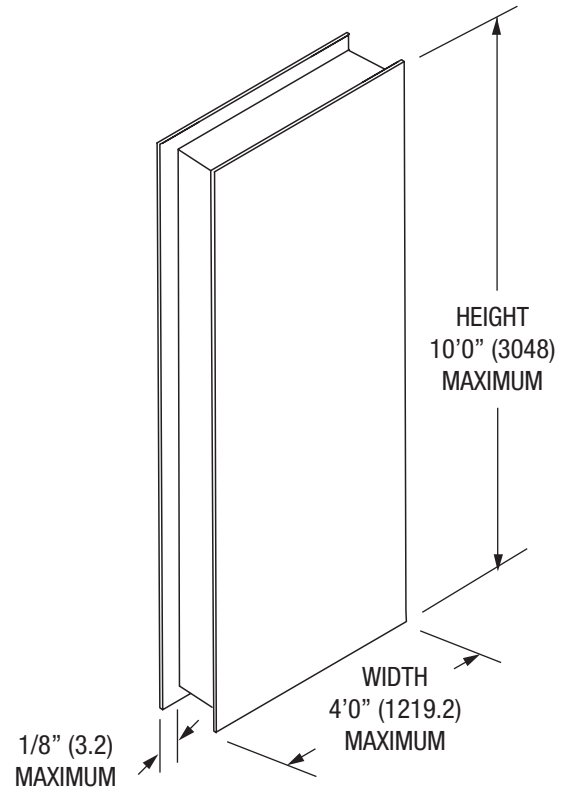
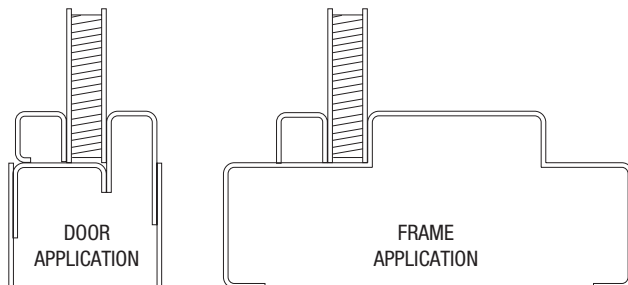


SIDE PANELS AND/OR DOOR PANELS

SPECIFY USE OF PANEL AND LIST NOMINAL FRAME OPENING FOR CORRECT PANEL UNDERSIZING.

- 1" (25.4) PANEL COMPOSITE CORE
- 7/8" (22.2) PANEL COMPOSITE CORE
- 3/4" (19.1) PANEL COMPOSITE CORE
- 5/8" (15.9) PANEL COMPOSITE CORE
- 1/2" (12.7) PANEL COMPOSITE CORE
- 3/8" (9.5) PANEL COMPOSITE CORE

20, 18, 16, AND 14 GA. FACE SKINS

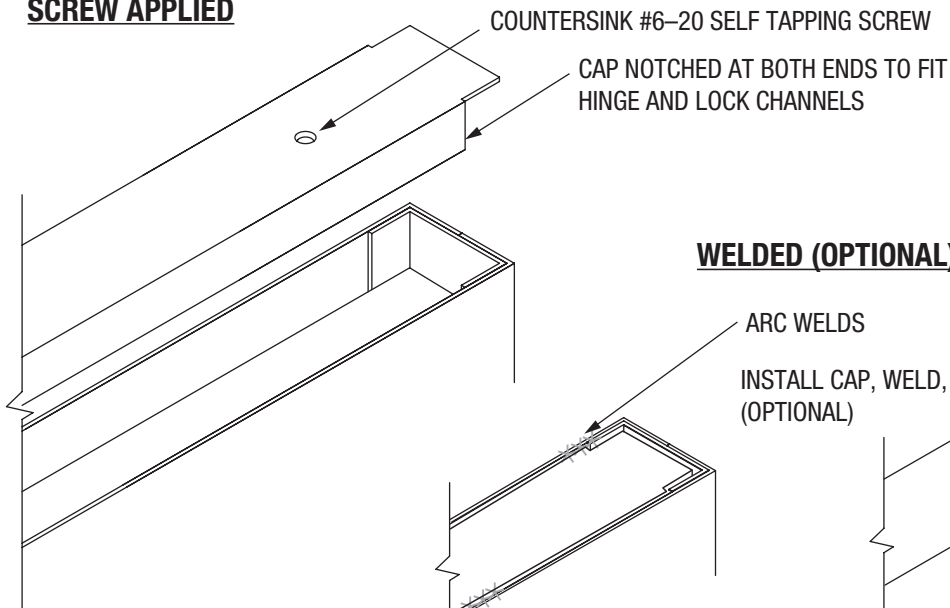


Steel Top/Bottom Filler Cap

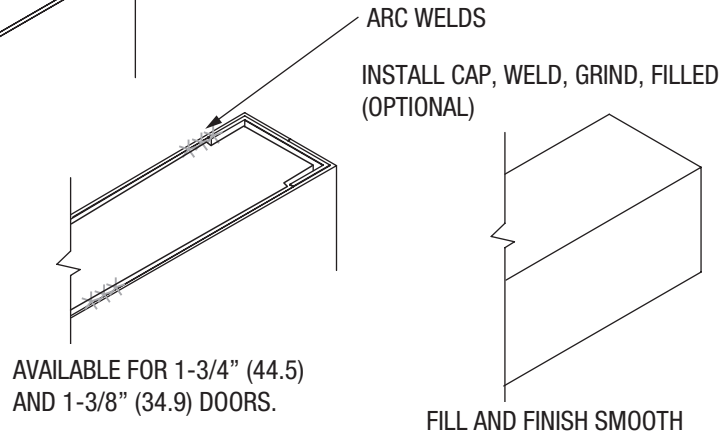
STANDARD 20 GA. (.9) GALVANEAL



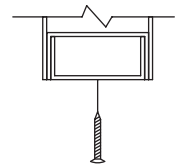
SCREW APPLIED



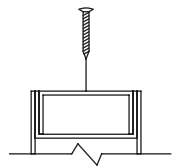
WELDED (OPTIONAL)



END VIEW BOTTOM CAP

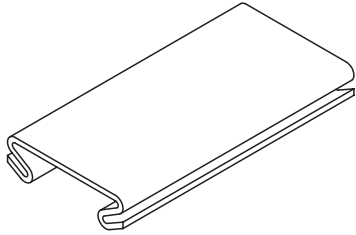
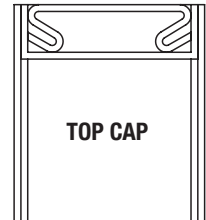
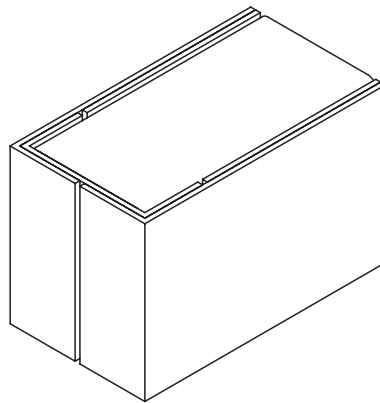
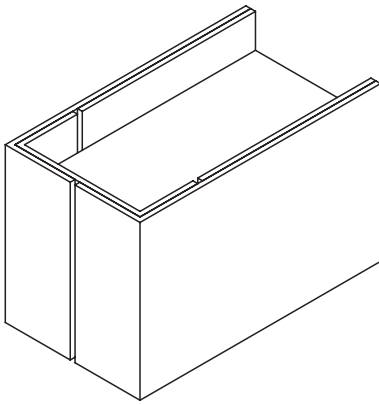
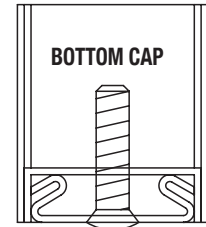
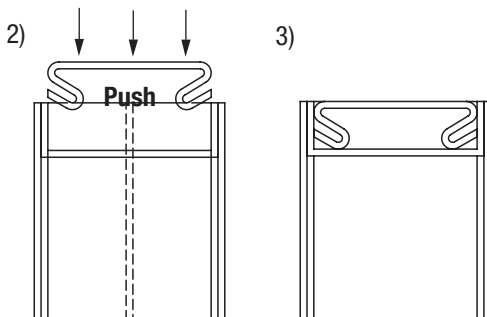
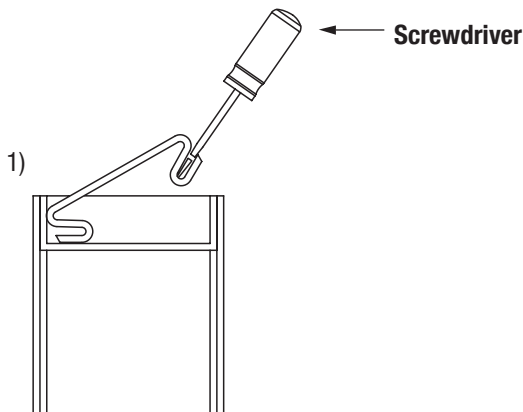


END VIEW TOP CAP



CAPS ARE RECESSED TO ALLOW FOR FILL AND FINISH

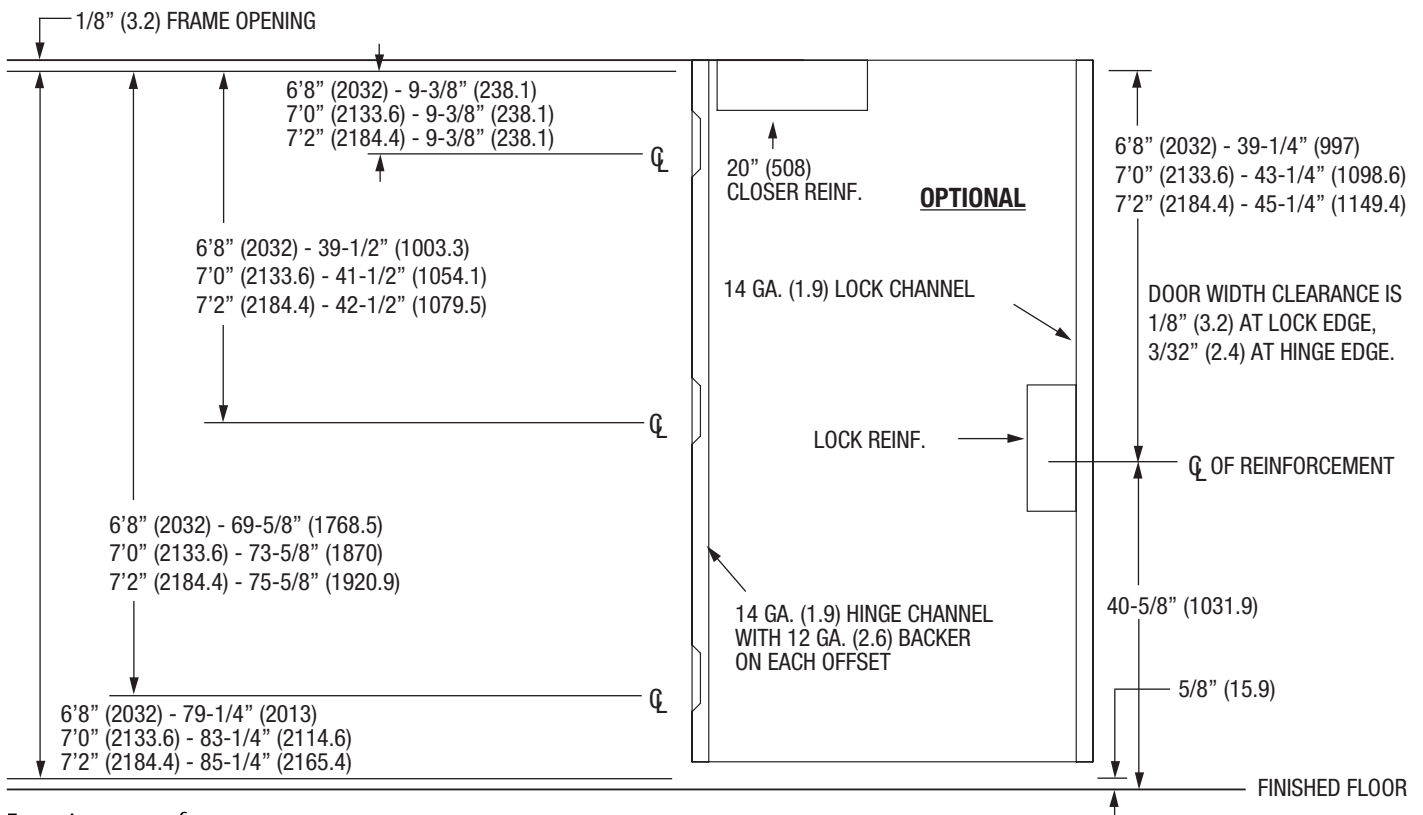
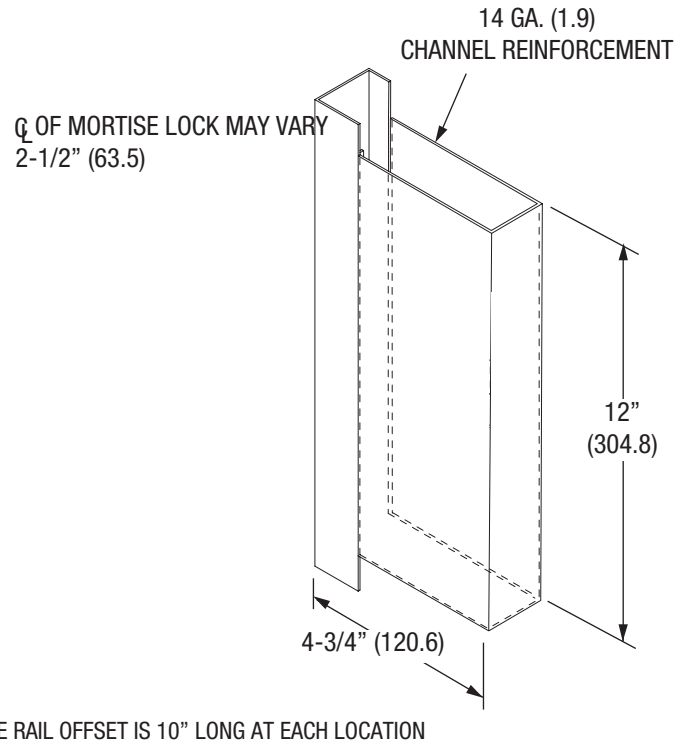
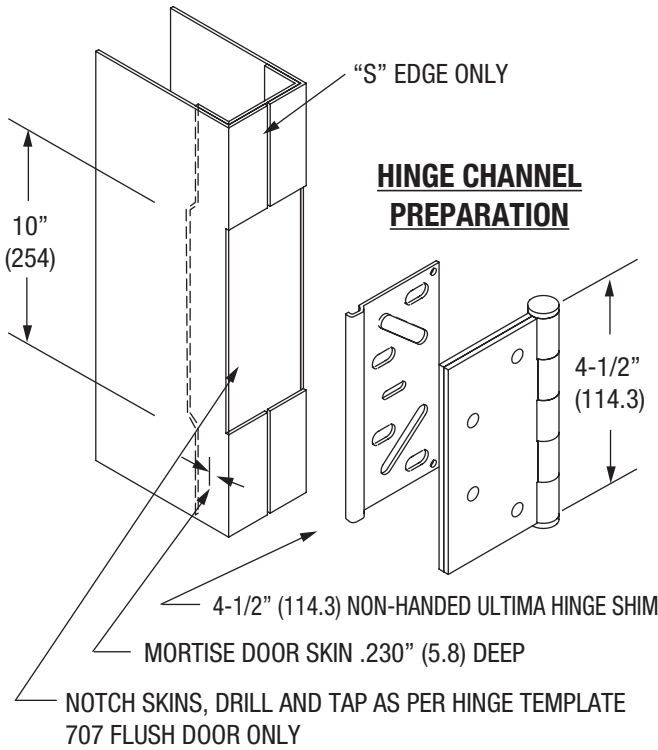
April, 2002

**24 GA. (.6) GALVANEAL**AVAILABLE FOR 1-3/4" (44.5) DOORS ONLY.
607 AND 707 SERIES WITH 14 GAUGE HINGE CHANNEL.**TOP CAP****END VIEW****BOTTOM CAP****SCREW
RECOMMENDED****INSTALLATION INSTRUCTIONS**

- 1) PLACE ONE LEG OF THE TOP CAP 1/8" INTO THE THROAT OF THE END CHANNEL. PLACE A STRAIGHT BLADE SCREW DRIVER IN THE BEND RADIUS AT ONE END OF THE TOP CAP AS SHOWN. USING A HAMMER TAP ON THE SCREW DRIVER TO START THE TOP CAP INTO THE THROAT OF THE END CHANNEL. PROCEED BY INCREMENTS FROM ONE END OF THE TOP CAP ACROSS TO THE OPPOSITE END. CARE SHOULD BE TAKEN NOT TO FORCE THE TOP CAP.
- 2) BOTH LEGS OF THE TOP CAP SHOULD BE COMPLETELY STARTED INTO THE THROAT OF THE END CHANNEL. THE TOP CAP CAN NOW BE PUSHED INTO THE END CHANNEL. A RUBBER HAMMER MAY BE NECESSARY TO SEAT THE TOP CAP COMPLETELY INTO THE END CHANNEL.
- 3) THE TOP CAP IS DESIGNED TO BE FLUSH TO SLIGHTLY BELOW THE LEGS OF THE END CHANNEL.



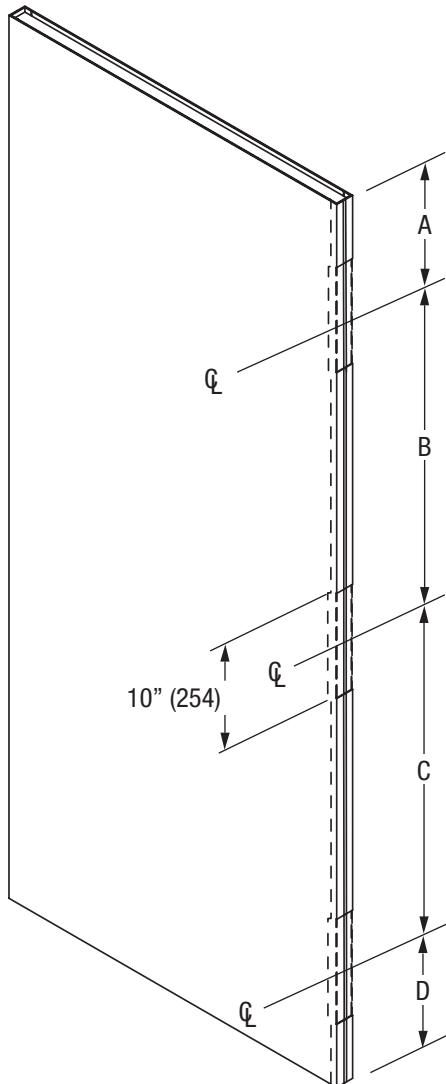
G3ARO
MORTISE LOCK REINFORCEMENT



April, 2002



- CAN BE USED FOR ANY SDI MEMBER HINGE LOCATION FOR THE FOLLOWING DOOR HEIGHTS:
6'8", 7'0", 7'2", 8'0", 10'0".
- "A" AND "B" BEVEL EDGES.
- AVAILABLE ON 707, E6, AND 747 DOORS.
- STANDARD REINFORCEMENTS, LOCKS, OR STRIKES FOR APPLICABLE DOOR SERIES.
- .230" DEEP OFFSET; 4-1/2" ULTIMA HINGE SHIM MUST BE ORDERED SEPARATELY FOR STANDARD AND HEAVYWEIGHT HINGES.
- 3 AND 4 HINGE LOCATIONS AVAILABLE.
- 12 OR 14 GA. HINGE CHANNEL AVAILABLE.



LOCATION OF HINGE PREPARATIONS

DOOR HEIGHT	A	B	C	D	E*
6'8" (2032)	9-3/8" (238)	30-1/8" (765.2)	30-1/8" (765.2)	9-5/8" (244.5)	—
7'0" (2134)	9-3/8" (238)	32-1/8" (816)	32-1/8" (816)	9-5/8" (244.5)	—
7'2" (2184)	9-3/8" (238)	33-1/8" (841.4)	33-1/8" (841.4)	9-5/8" (244.5)	—
8'0" (2438)	9-3/8" (238)	25-1/4" (641.4)	25-1/4" (641.4)	25-1/4" (641.4)	10-1/8" (257.2)
10'0" (3048)	9-3/8" (238)	33-1/4" (845)	33-1/4" (845)	33-1/4" (845)	10-1/8" (257.2)

* LOCATION OF 4TH HINGE FOR 8'0" AND 10'0" DOOR

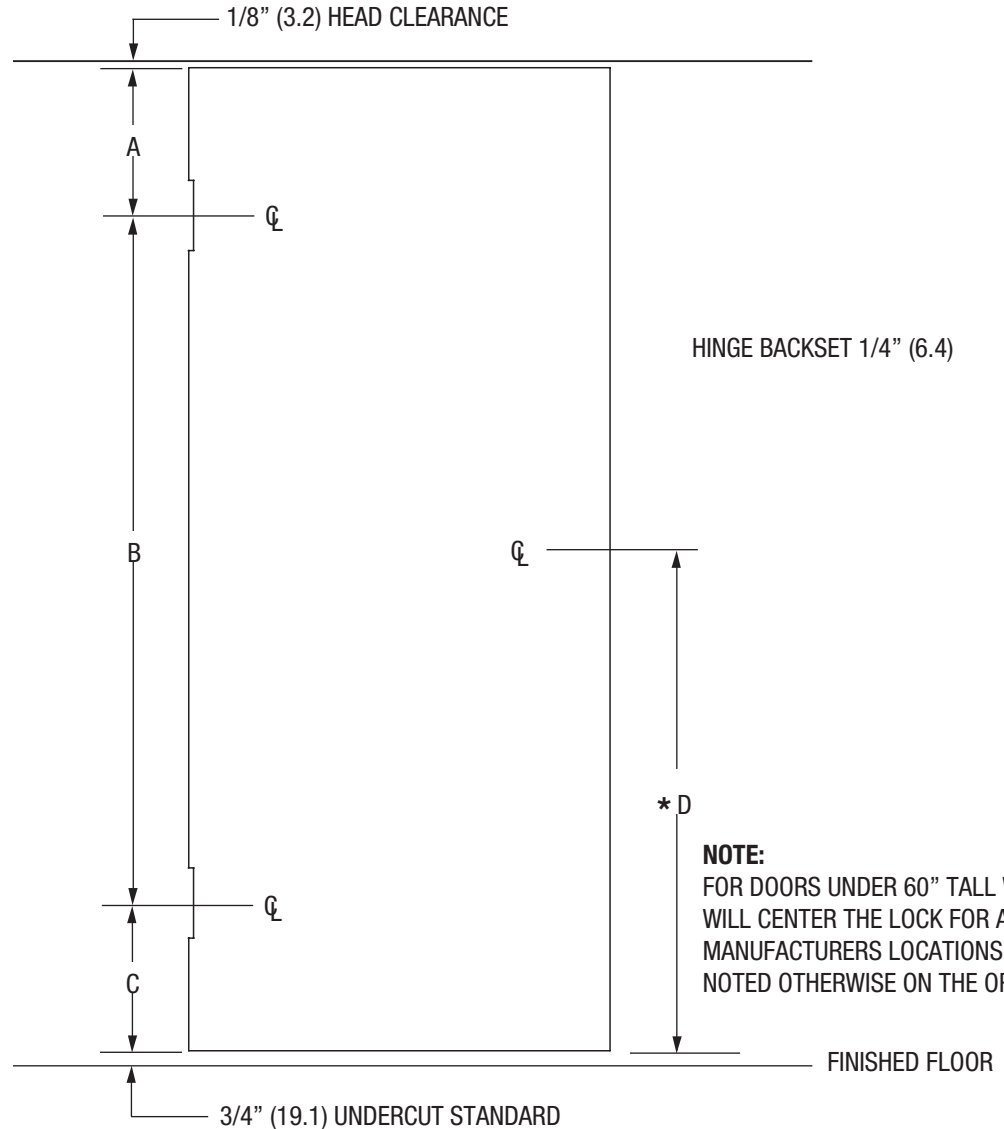


SIZE	A	B	C	D
6'8" (2032)	9-5/8" (244.5)	59-7/8" (1520.8)	9-5/8" (244.5)	39-9/16" (1004.9)
7'0" (2133.6)	9-5/8" (244.5)	63-7/8" (1622.4)	9-5/8" (244.5)	39-9/16" (1004.9)
7'2" (2184.4)	9-5/8" (244.5)	65-7/8" (1673.2)	9-5/8" (244.5)	39-9/16" (1004.9)

HINGE SIZE MAY VARY - \varnothing LOCATION REMAINS THE SAME

* DIMENSION SHOWN IS FOR LOCKS WITH A COMMON \varnothing ON LOCK AND STRIKE.
(EXAMPLE-CYLINDRICAL LOCK)

TWO HINGES



September, 2013

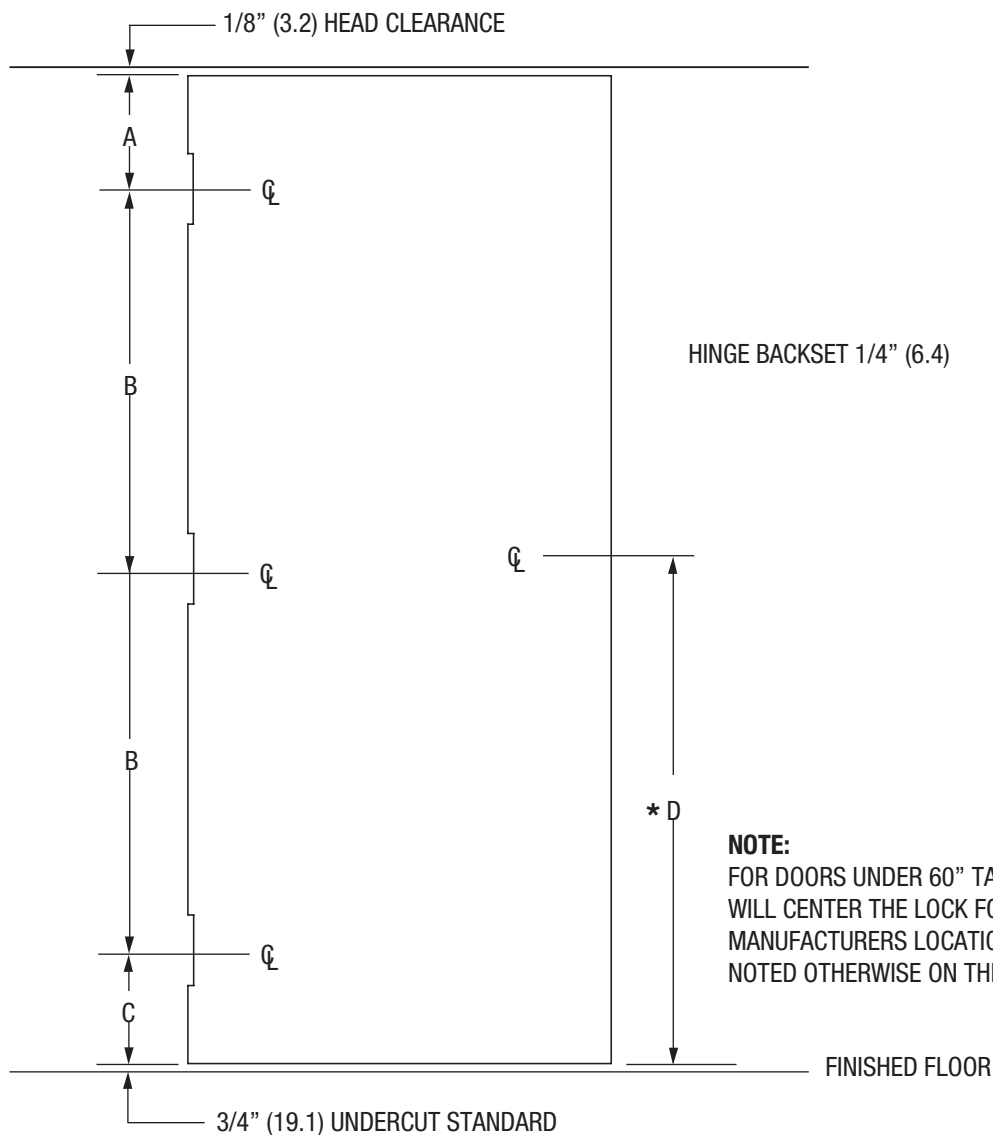


SIZE	A	B	C	D
6'8" (2032)	9-5/8" (244.5)	29-15/16" (760.4)	9-5/8" (244.5)	39-9/16" (1004.9)
7'0" (2133.6)	9-5/8" (244.5)	31-15/16" (811.2)	9-5/8" (244.5)	39-9/16" (1004.9)
7'2" (2184.4)	9-5/8" (244.5)	32-15/16" (836.6)	9-5/8" (244.5)	39-9/16" (1004.9)

HINGE SIZE MAY VARY - \varnothing LOCATION REMAINS THE SAME

* DIMENSION SHOWN IS FOR LOCKS WITH A COMMON \varnothing ON LOCK AND STRIKE.
(EXAMPLE - CYLINDRICAL LOCK)

THREE HINGES



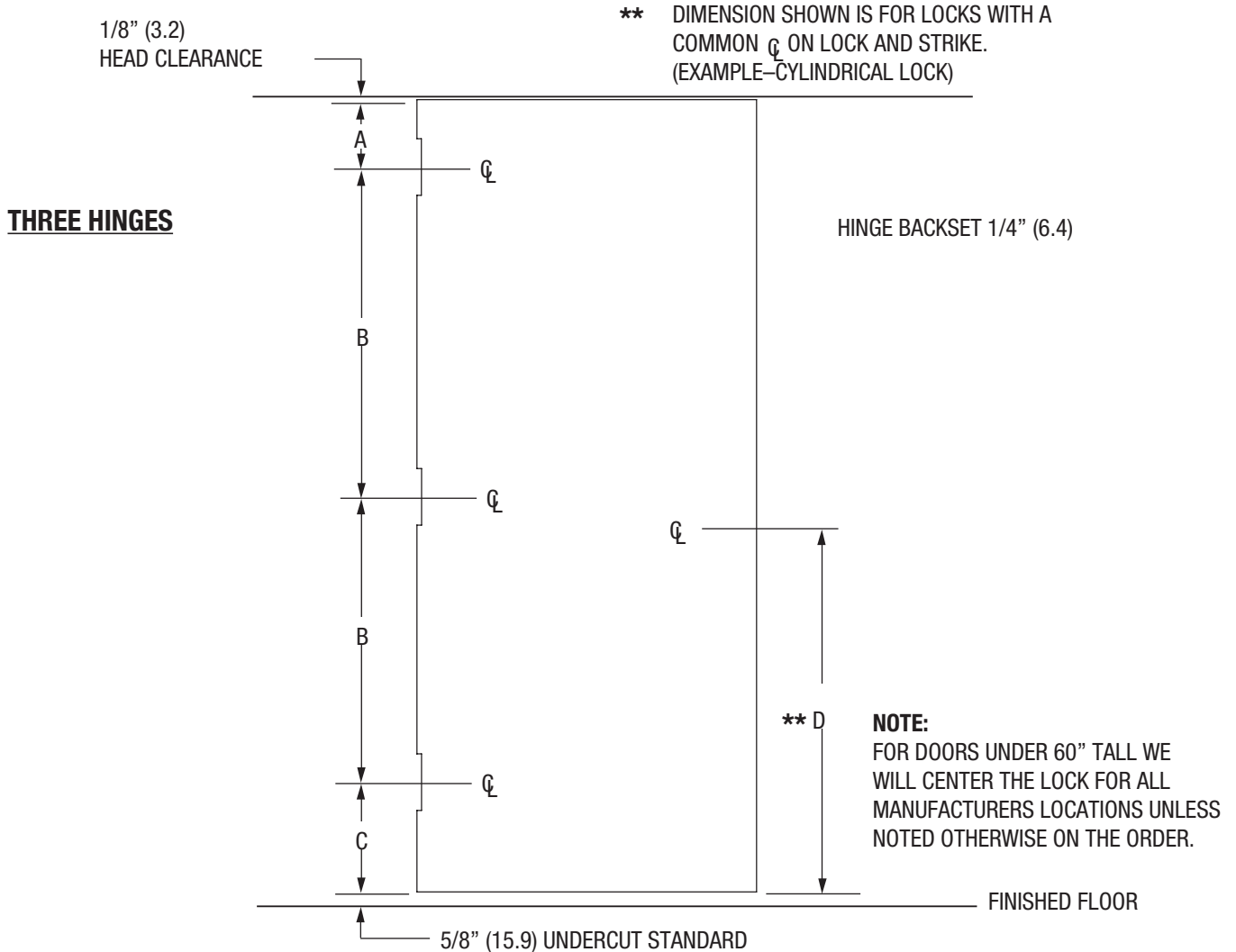
NOTE:
FOR DOORS UNDER 60" TALL WE WILL CENTER THE LOCK FOR ALL MANUFACTURERS LOCATIONS UNLESS NOTED OTHERWISE ON THE ORDER.



SIZE	A	B	C	D
6'8" (2032)	7-1/8" (181)	30-1/4" (768.4)	11-5/8" (295.3)	39-3/8" (1000.1)
6'10" (2082.8)	7-1/8" (181)	31-1/4" (793.8)	11-5/8" (295.3)	39-3/8" (1000.1)
7'0" (2133.6)	7-1/8" (181)	32-1/4" (819.2)	11-5/8" (295.3)	39-3/8" (1000.1)
7'2" (2184.4)	7-1/8" (181)	33-1/4" (844.6)	11-5/8" (295.3)	39-3/8" (1000.1)
7'4" (2235.2)	7-1/8" (181)	34-1/4" (870)	11-5/8" (295.3)	39-3/8" (1000.1)
7'6" (2286)	7-1/8" (181)	35-1/4" (895.4)	11-5/8" (295.3)	39-3/8" (1000.1)
7'8" (2336.8)	7-1/8" (181)	36-1/4" (920.8)	11-5/8" (295.3)	39-3/8" (1000.1)
7'10" (2387.6)	7-1/8" (181)	37-1/4" (946.2)	11-5/8" (295.3)	39-3/8" (1000.1)
8'0" (2438.4)	7-1/8" (181)	38-1/4" (971.6)	11-5/8" (295.3)	39-3/8" (1000.1)
9'0" (2743.2)	7-1/8" (181)	44-1/4" (1124)	11-5/8" (295.3)	39-3/8" (1000.1)
10'0" (3048)	7-1/8" (181)	50-1/4" (1276.4)	11-5/8" (295.3)	39-3/8" (1000.1)



HINGE SIZE MAY VARY - \varnothing LOCATION REMAINS THE SAME

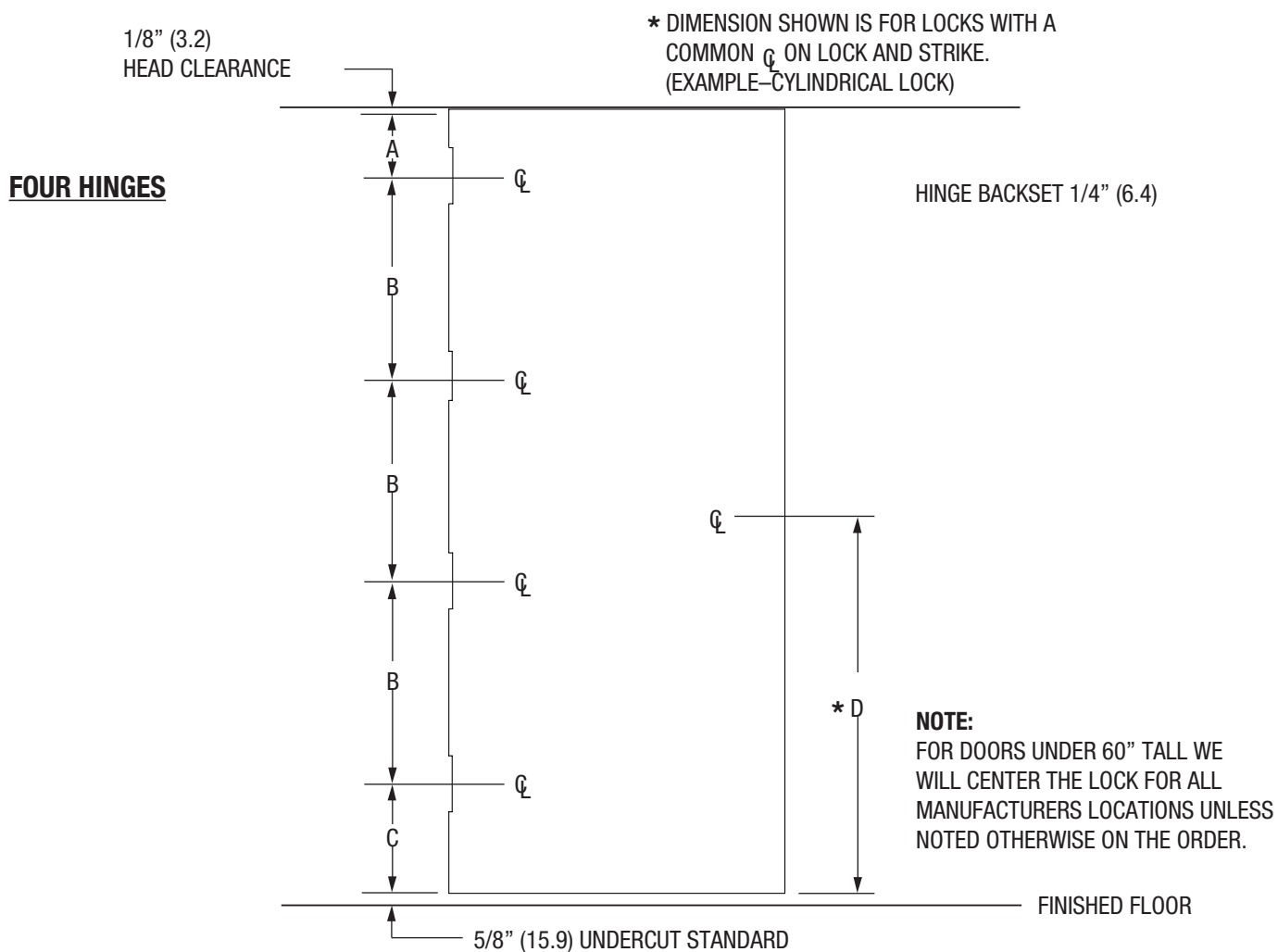


September, 2013



SIZE	A	B	C	D
6'8" (2032)	7-1/8" (181)	20-1/8" (511.2)	11-3/4" (298.5)	39-3/8" (1000.1)
6'10" (2082.8)	7-1/8" (181)	20-7/8" (530.2)	11-1/2" (292.1)	39-3/8" (1000.1)
7'0" (2133.6)	7-1/8" (181)	21-1/2" (546.1)	11-5/8" (295.3)	39-3/8" (1000.1)
7'2" (2184.4)	7-1/8" (181)	22-1/8" (562)	11-3/4" (298.5)	39-3/8" (1000.1)
7'4" (2235.2)	7-1/8" (181)	22-7/8" (581)	11-1/2" (292.1)	39-3/8" (1000.1)
7'6" (2286)	7-1/8" (181)	23-1/2" (597)	11-5/8" (295.3)	39-3/8" (1000.1)
7'8" (2336.8)	7-1/8" (181)	24-1/8" (612.8)	11-3/4" (298.5)	39-3/8" (1000.1)
7'10" (2387.6)	7-1/8" (181)	24-7/8" (631.8)	11-1/2" (292.1)	39-3/8" (1000.1)
8'0" (2438.4)	7-1/8" (181)	25-1/2" (647.7)	11-5/8" (295.3)	39-3/8" (1000.1)
9'0" (2743.2)	7-1/8" (181)	29-1/2" (749.3)	11-5/8" (295.3)	39-3/8" (1000.1)
10'0" (3048)	7-1/8" (181)	33-1/2" (850.9)	11-5/8" (295.3)	39-3/8" (1000.1)

HINGE SIZE MAY VARY - \varnothing LOCATION REMAINS THE SAME

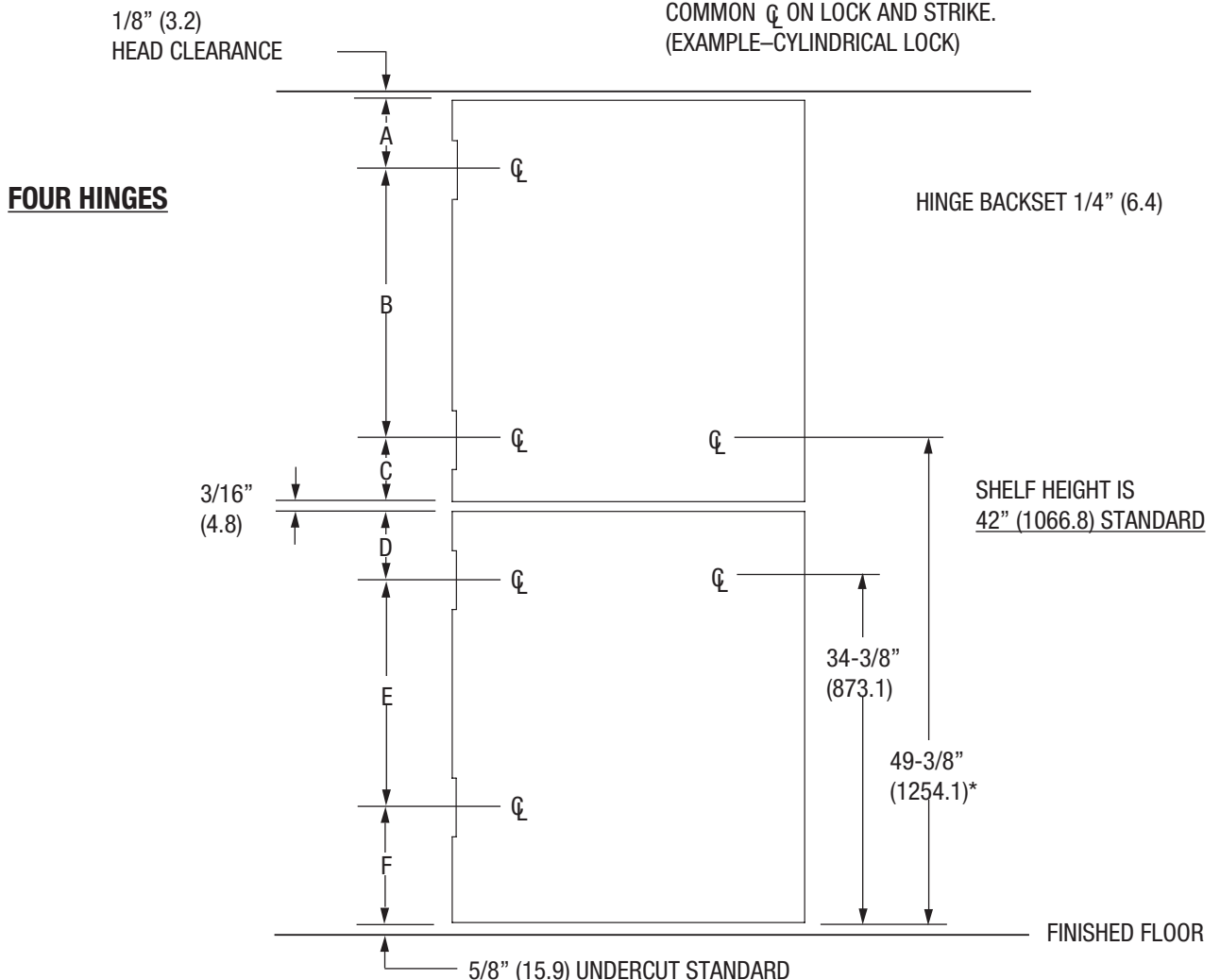




SIZE	A	B	C	D	E	F
6'8" (2032)	7-1/8" (181)	24-1/4" (616)	6-5/16" (160.3)	7" (177.8)	22-3/4" (577.9)	11-5/8" (295.3)
6'10" (2082.8)	7-1/8" (181)	26-1/4" (666.8)	6-5/16" (160.3)	7" (177.8)	22-3/4" (577.9)	11-5/8" (295.3)
7'0" (2133.6)	7-1/8" (181)	28-1/4" (717.6)	6-5/16" (160.3)	7" (177.8)	22-3/4" (577.9)	11-5/8" (295.3)
7'2" (2184.4)	7-1/8" (181)	30-1/4" (768.4)	6-5/16" (160.3)	7" (177.8)	22-3/4" (577.9)	11-5/8" (295.3)
7'4" (2235.2)	7-1/8" (181)	29-1/4" (743)	9-5/16" (236.5)	7" (177.8)	22-3/4" (577.9)	11-5/8" (295.3)
7'6" (2286)	7-1/8" (181)	31-1/4" (793.8)	9-5/16" (236.5)	7" (177.8)	22-3/4" (577.9)	11-5/8" (295.3)
7'8" (2336.8)	7-1/8" (181)	33-1/4" (844.6)	9-5/16" (236.5)	7" (177.8)	22-3/4" (577.9)	11-5/8" (295.3)
7'10" (2387.6)	7-1/8" (181)	35-1/4" (895.4)	9-5/16" (236.5)	7" (177.8)	22-3/4" (577.9)	11-5/8" (295.3)
8'0" (2438.4)	7-1/8" (181)	37-1/4" (946.2)	9-5/16" (236.5)	7" (177.8)	22-3/4" (577.9)	11-5/8" (295.3)

HINGE SIZE MAY VARY - \varnothing LOCATION REMAINS THE SAME

DIMENSION SHOWN IS FOR LOCKS WITH A COMMON \varnothing ON LOCK AND STRIKE. (EXAMPLE-CYLINDRICAL LOCK)



* PLEASE INDICATE WHEN ADA COMPLIANCE IS REQUIRED.
48" \varnothing IS NOT PRACTICAL WITH SOME DEADLOCKS.

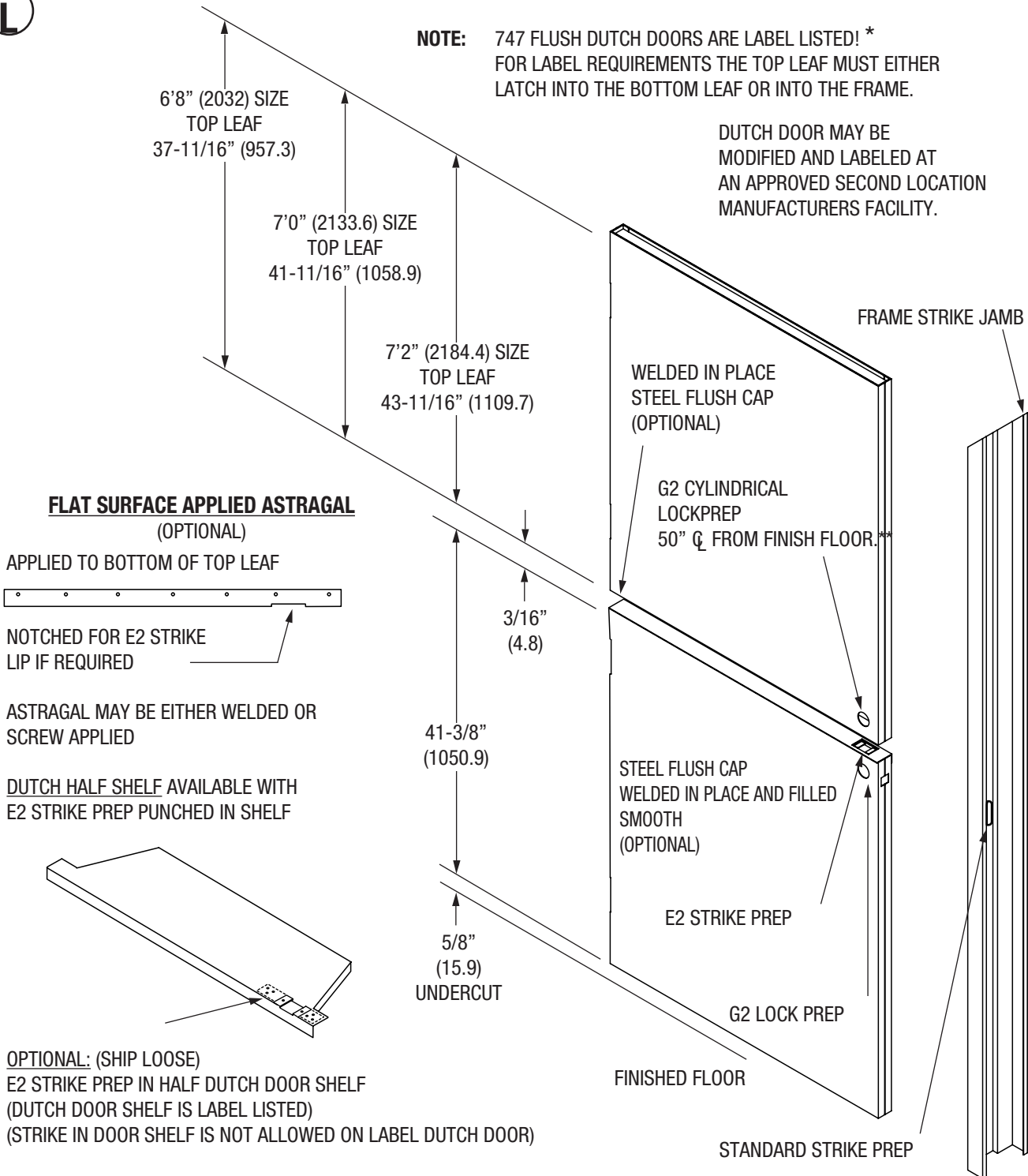
40
747 Dutch Door
 Door Technical Data

July, 2015



NOTE: 747 FLUSH DUTCH DOORS ARE LABEL LISTED! *
 FOR LABEL REQUIREMENTS THE TOP LEAF MUST EITHER
 LATCH INTO THE BOTTOM LEAF OR INTO THE FRAME.

DUTCH DOOR MAY BE
 MODIFIED AND LABELED AT
 AN APPROVED SECOND LOCATION
 MANUFACTURERS FACILITY.



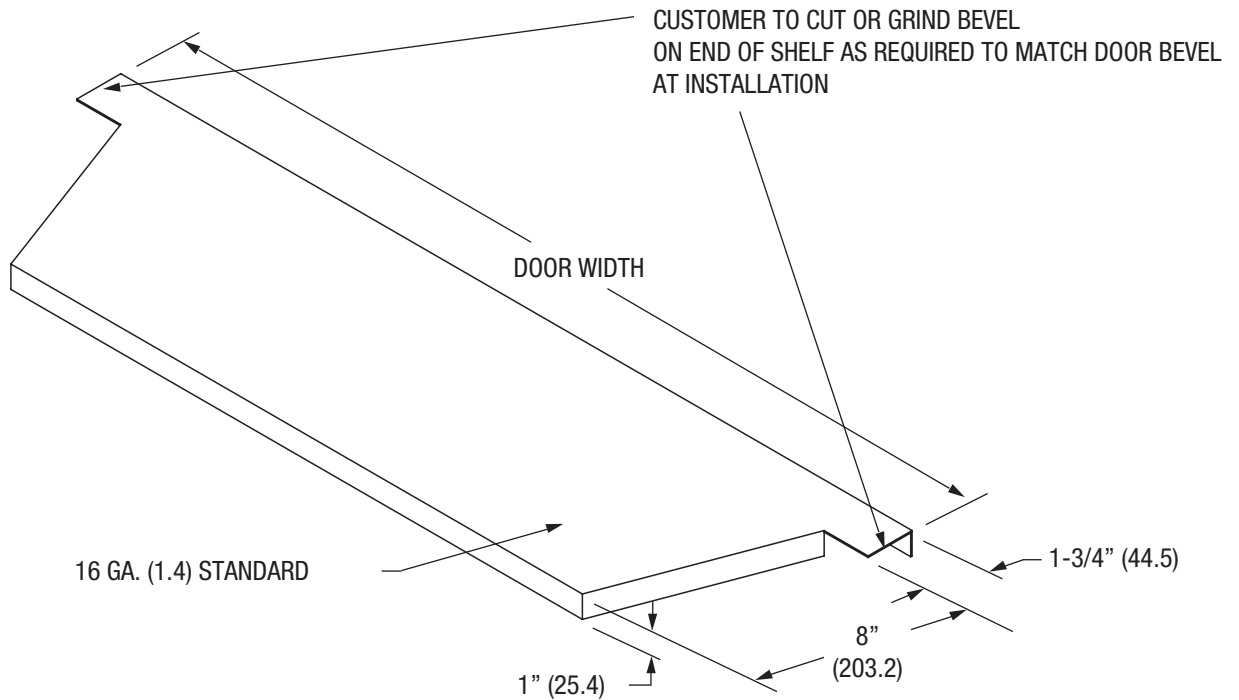
OPTIONAL: (SHIP LOOSE)
 E2 STRIKE PREP IN HALF DUTCH DOOR SHELF
 (DUTCH DOOR SHELF IS LABEL LISTED)
 (STRIKE IN DOOR SHELF IS NOT ALLOWED ON LABEL DUTCH DOOR)

3'6" (1067) X 7'2" (2184.4) 15 MAX. LABEL SIZES FOR 747, 18 OR 16 GAUGE.

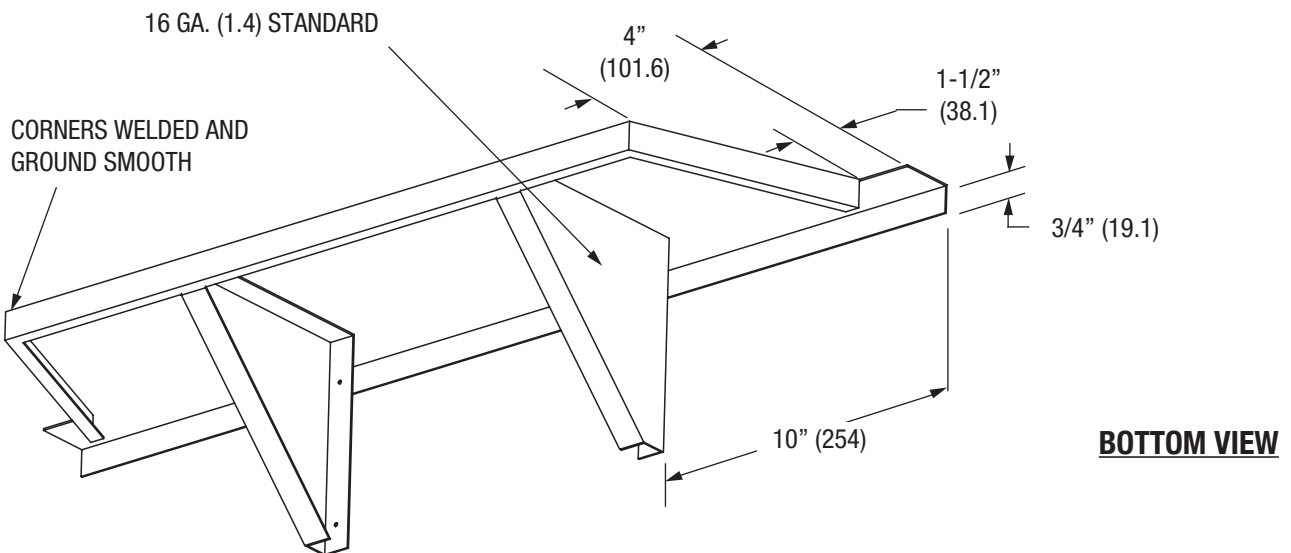
** PLEASE INDICATE WHEN ADA COMPLIANCE IS REQUIRED. 48" \varnothing IS NOT PRACTICAL WITH SOME DEADLOCKS.



TOP VIEW



NOTE: DOORS 3'4" (1016) AND WIDER
ADD A THIRD BRACKET LOCATED MIDWAY BETWEEN TWO SHOWN

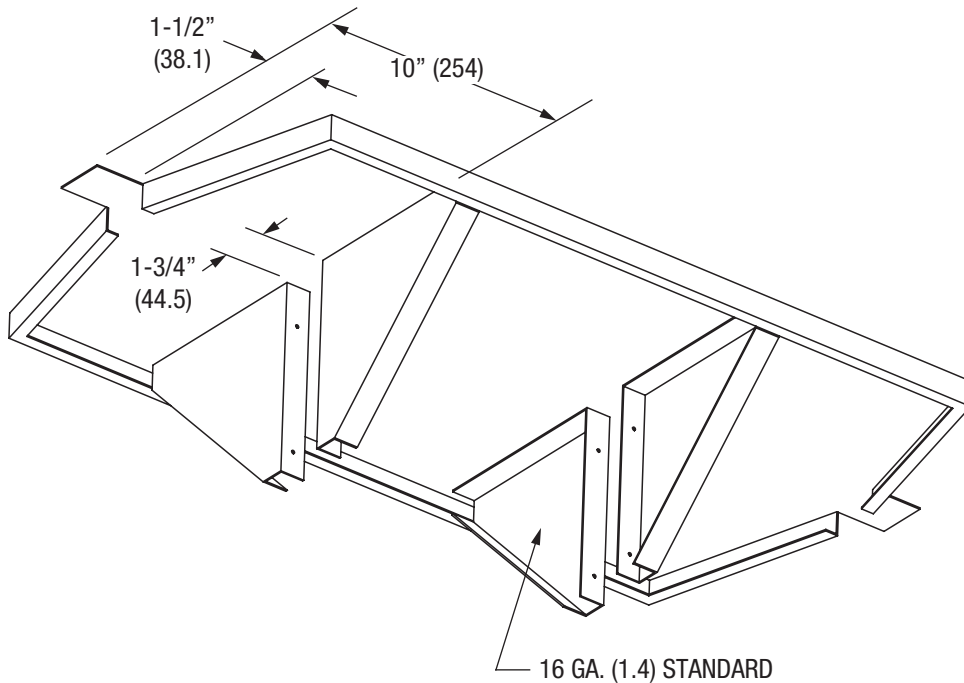
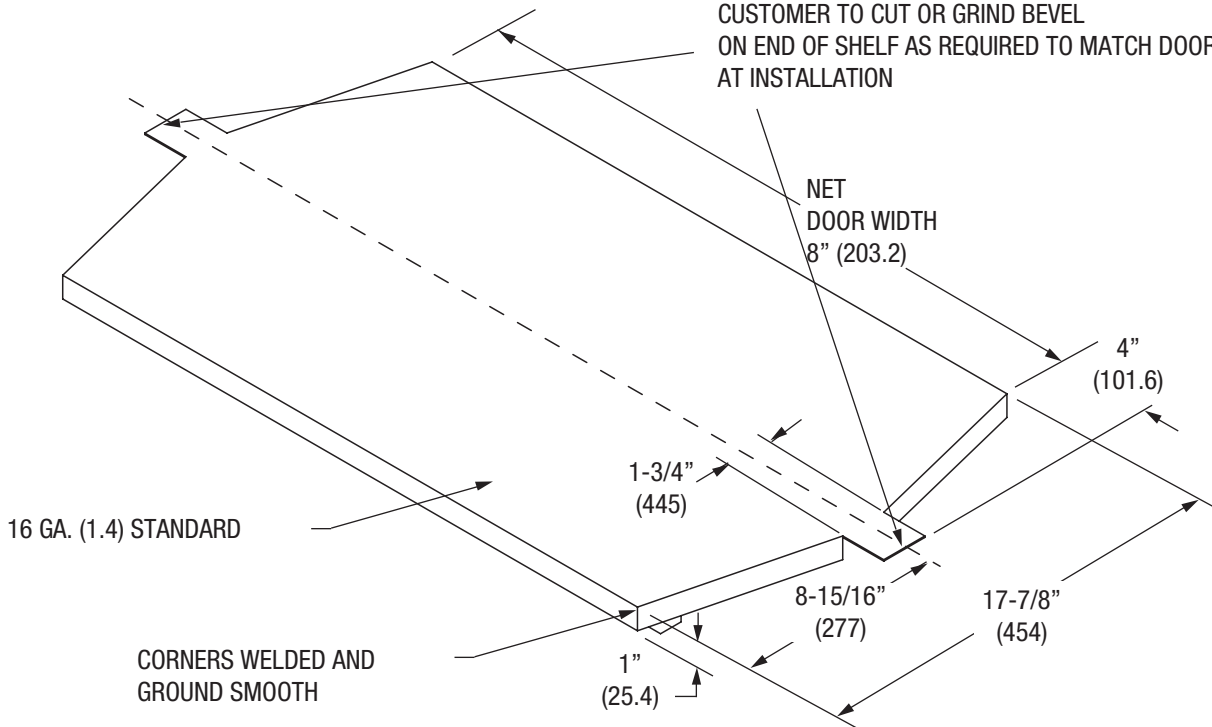


April, 2002

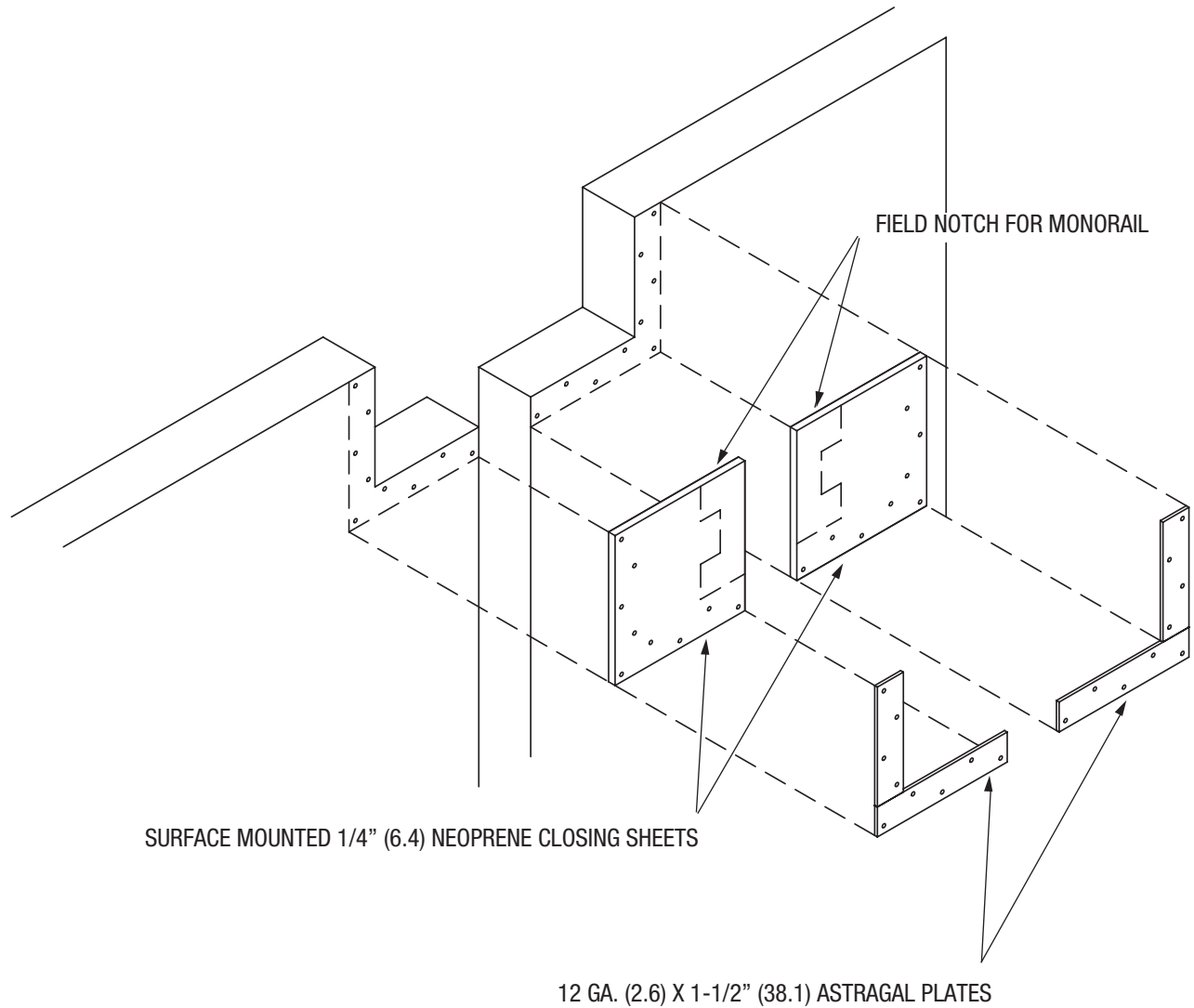


CUSTOMER TO CUT OR GRIND BEVEL
ON END OF SHELF AS REQUIRED TO MATCH DOOR BEVEL
AT INSTALLATION

TOP VIEW

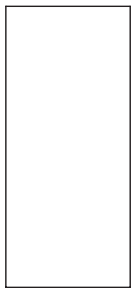


BOTTOM VIEW

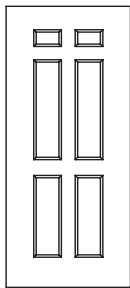


NEOPRENE SHEETS AND ASTRAGAL PLATES ATTACHED TO DOOR
WITH SCREWS IN A STAGGERED PATTERN.

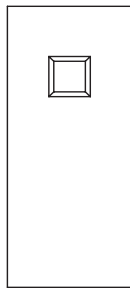
June, 2008



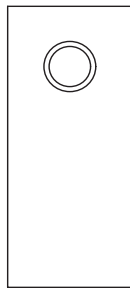
CURRIES-F
SDI-F



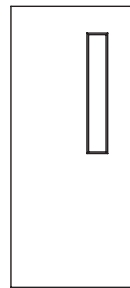
E6 *
PANEL DOOR



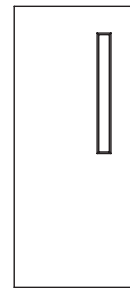
FV
V



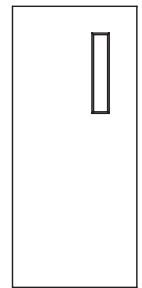
FRV



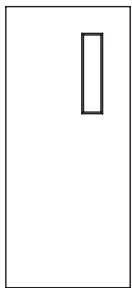
FNV
N



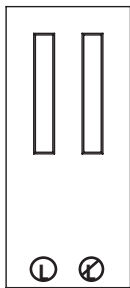
FNV4



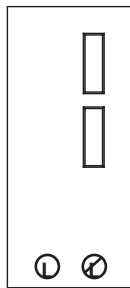
FNV5



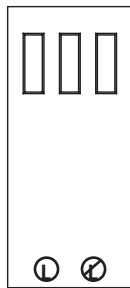
FNV6



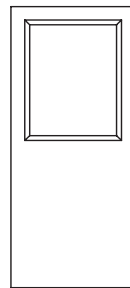
2FNV



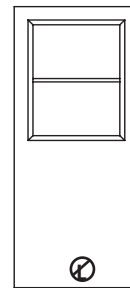
2FNV



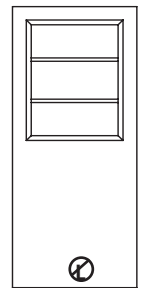
3FNV



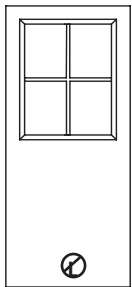
HG
G



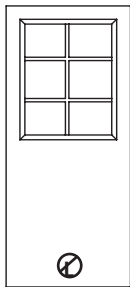
HG2
G2



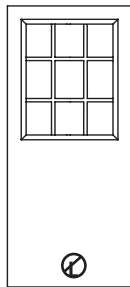
HG3
G3



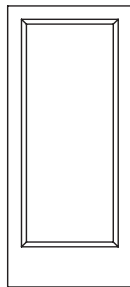
HG4
G4



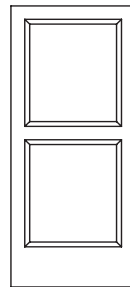
HG6
G6



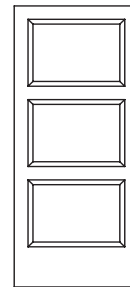
HG9



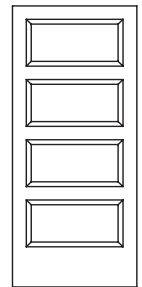
FG
FG



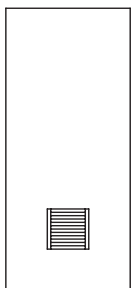
FG2



FG3
FG3



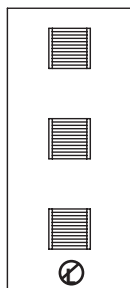
FG4



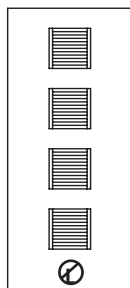
FL
L



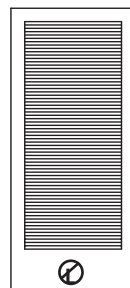
F2L
LL



F3L



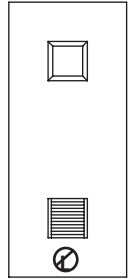
F4L



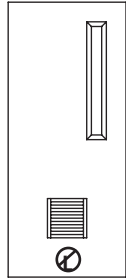
FGL

NOTE: SDI NOMENCLATURE SYMBOLS APPEAR UNDER CURRIES SYMBOLS WHERE APPLICABLE

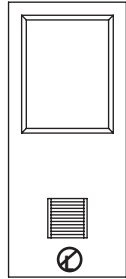
* SEE EMBOSSED DOOR SECTION FOR MORE FACE TYPE DETAILS.



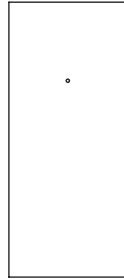
CURRIES-FVL
SDI-VL



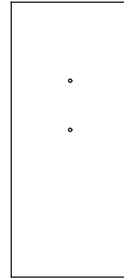
FNVL
NL



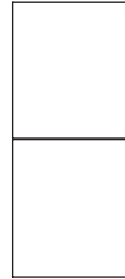
HGL
GL



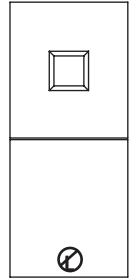
FP



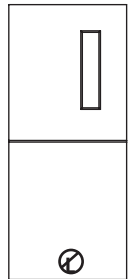
F2P



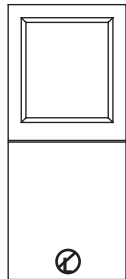
FD
D



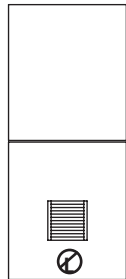
FDFV



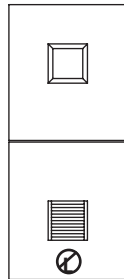
FDFNV



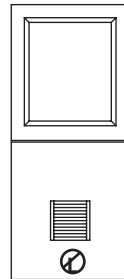
FDHG



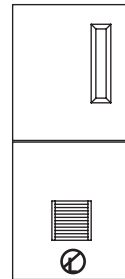
FDL



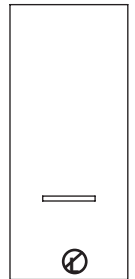
FDFVL



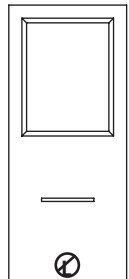
FDHGL



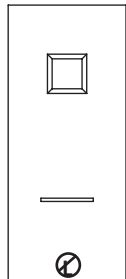
FDFNVL



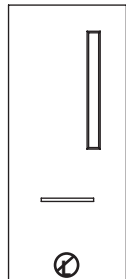
FMS



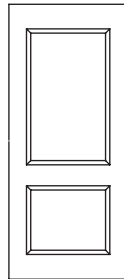
HGMS



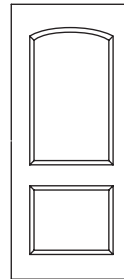
FVMS



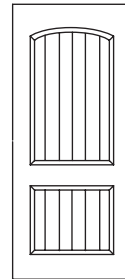
FNVMS



2P



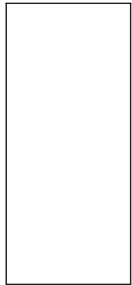
2PA



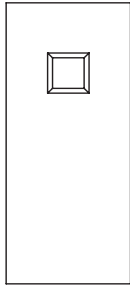
2PAP

NOTE: SDI NOMENCLATURE SYMBOLS APPEAR UNDER CURRIES SYMBOLS WHERE APPLICABLE

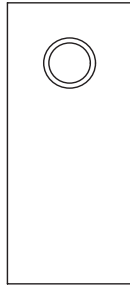
April, 2002



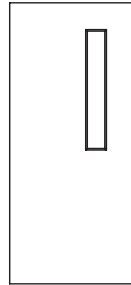
CURRIES-F
SDI-F



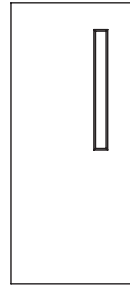
FV
V



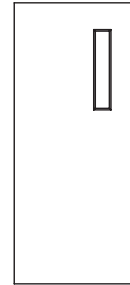
FRV



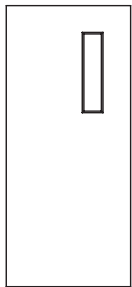
FNV
N



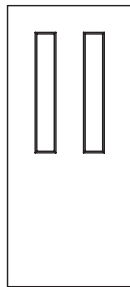
FNV4



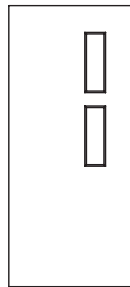
FNV5



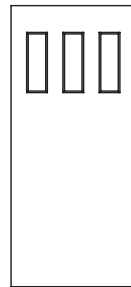
FNV6



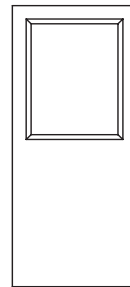
2FNV



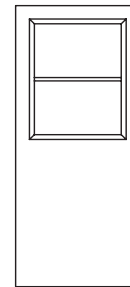
2FNV



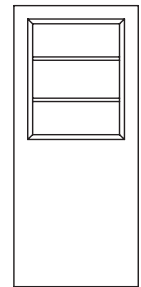
3FNV



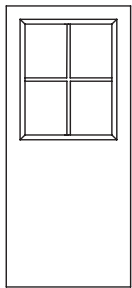
HG
G



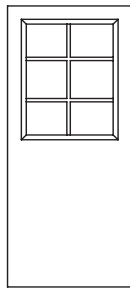
HG2
G2



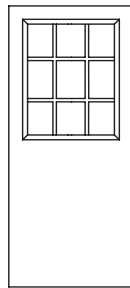
HG3
G3



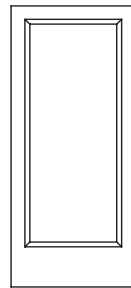
HG4
G4



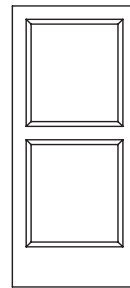
HG6
G6



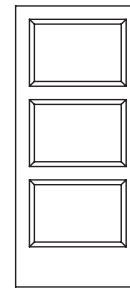
HG9



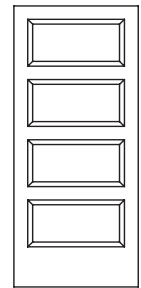
FG
FG



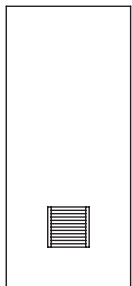
FG2



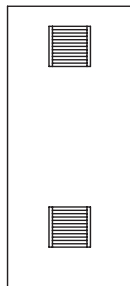
FG3
FG3



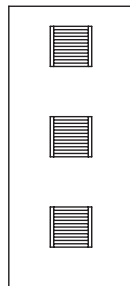
FG4



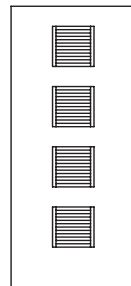
FL
L



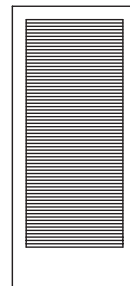
F2L
LL



F3L

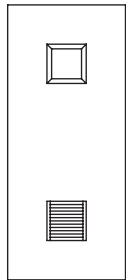


F4L

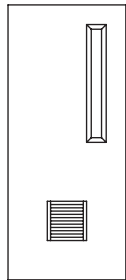


FGL

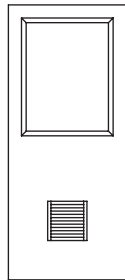
NOTE: SDI NOMENCLATURE SYMBOLS APPEAR UNDER CURRIES SYMBOLS WHERE APPLICABLE



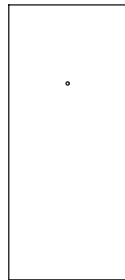
CURRIES-FVL
SDI-VL



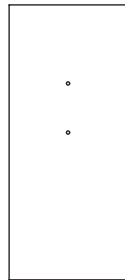
FNVL
NL



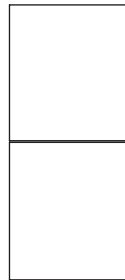
HGL
GL



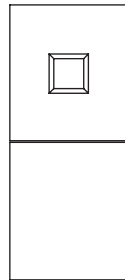
FP



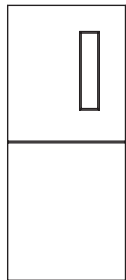
F2P



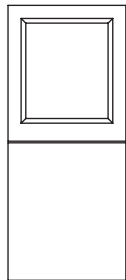
FD
D



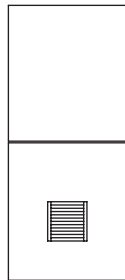
FDFV



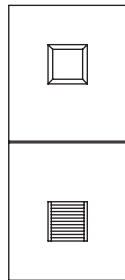
FDFNV



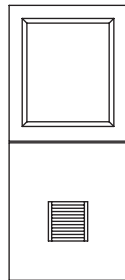
FDHG



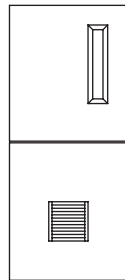
FDL



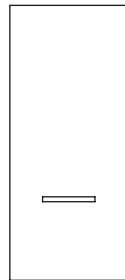
FDFVL



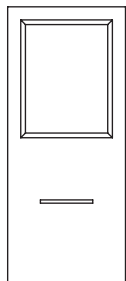
FDHGL



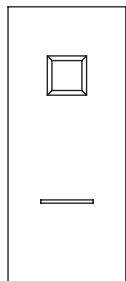
FDFNVL



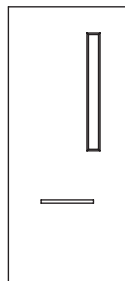
FMS



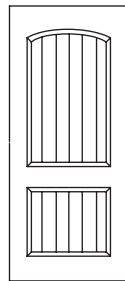
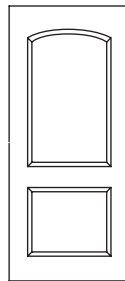
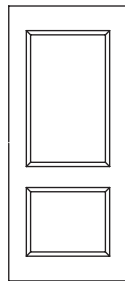
HGMS



FVMS



FNVMS

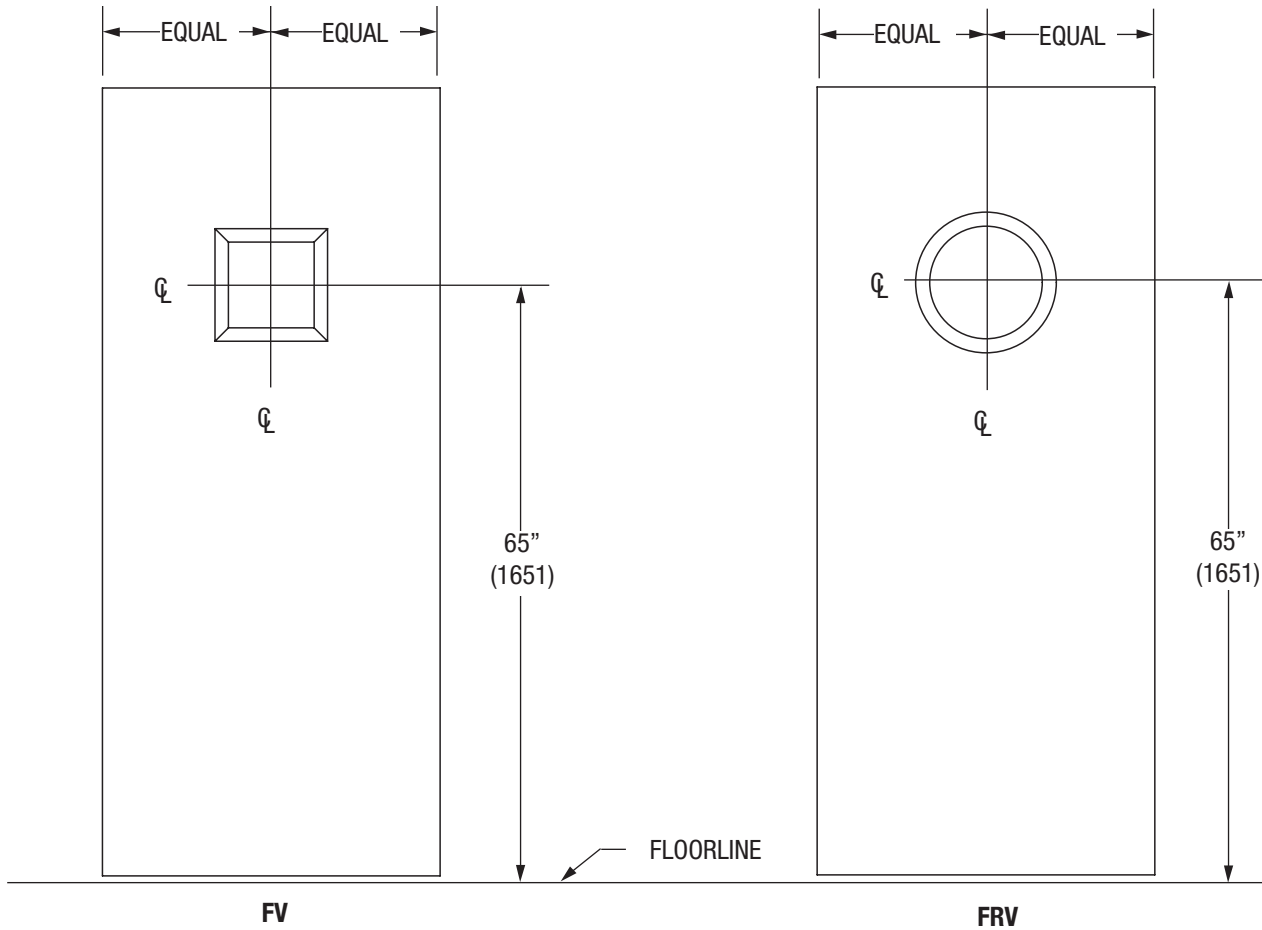


NOTE: SDI NOMENCLATURE SYMBOLS APPEAR UNDER CURRIES SYMBOLS WHERE APPLICABLE

May, 2010



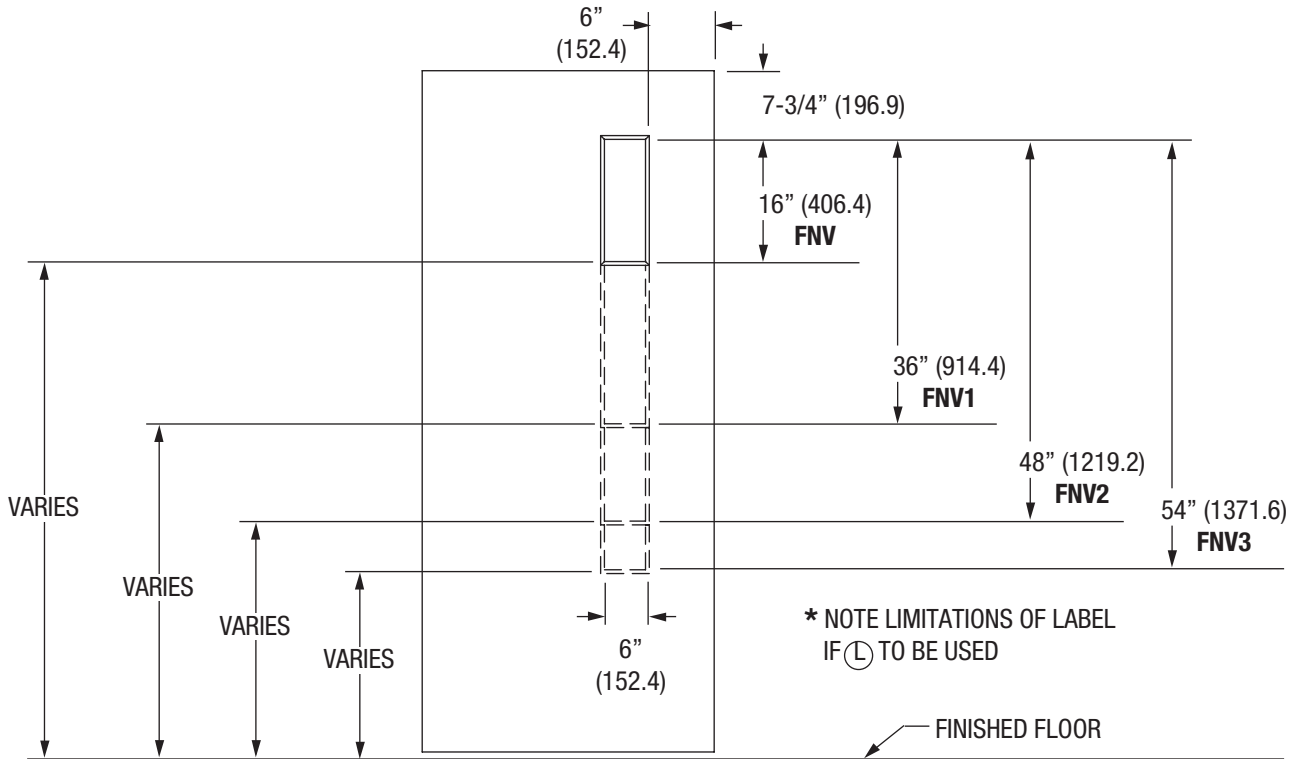
Type 1 & 2 Window Moulding



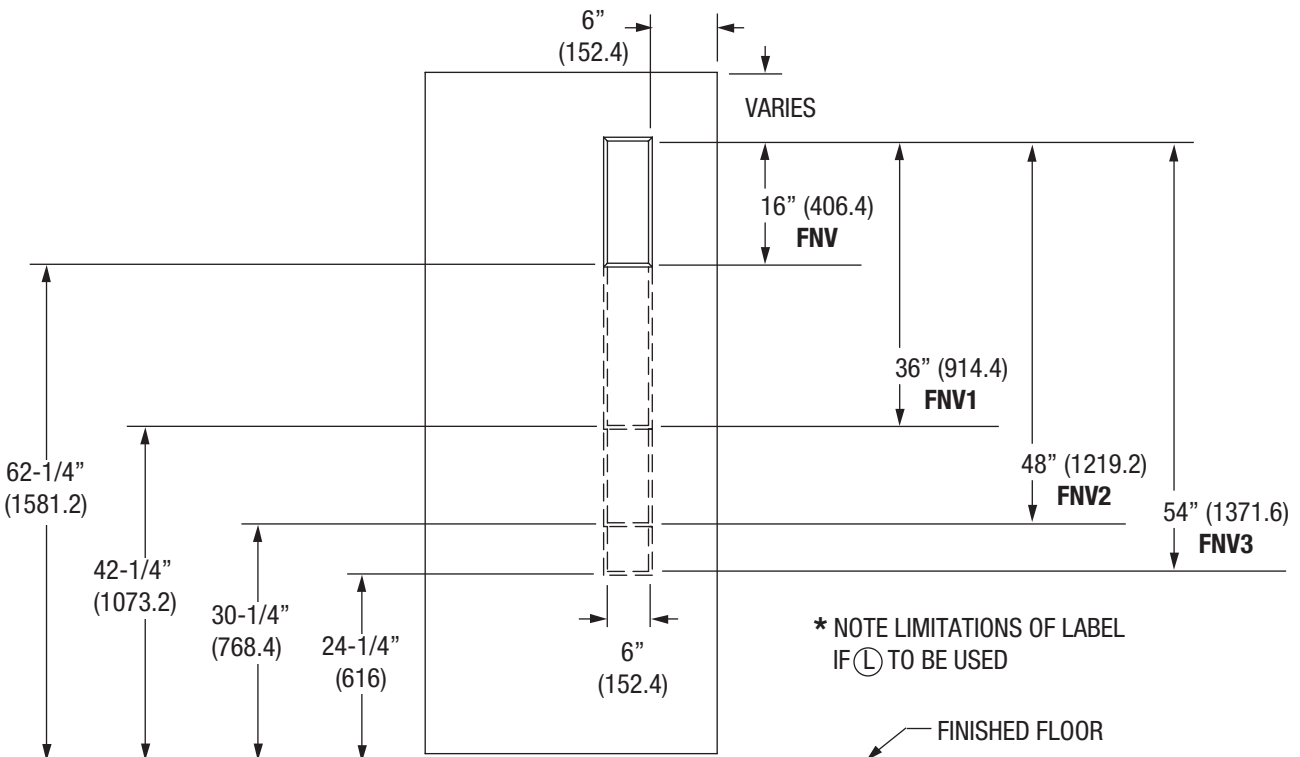
FV	10" (254) X 10" (254)
FV1	12" (304.8) X 12" (304.8)
FRV	12" (304.8) DIA. CUTOUT VISIBLE = 10"
FRV1	18" (457.2) DIA. CUTOUT VISIBLE = 16"
FRV2	24" (609.6) DIA. CUTOUT VISIBLE = 22"

Type 1 & 2 Window Moulding

STANDARD LOCATIONS FOR DOORS 7'2" (2184.4) AND UNDER



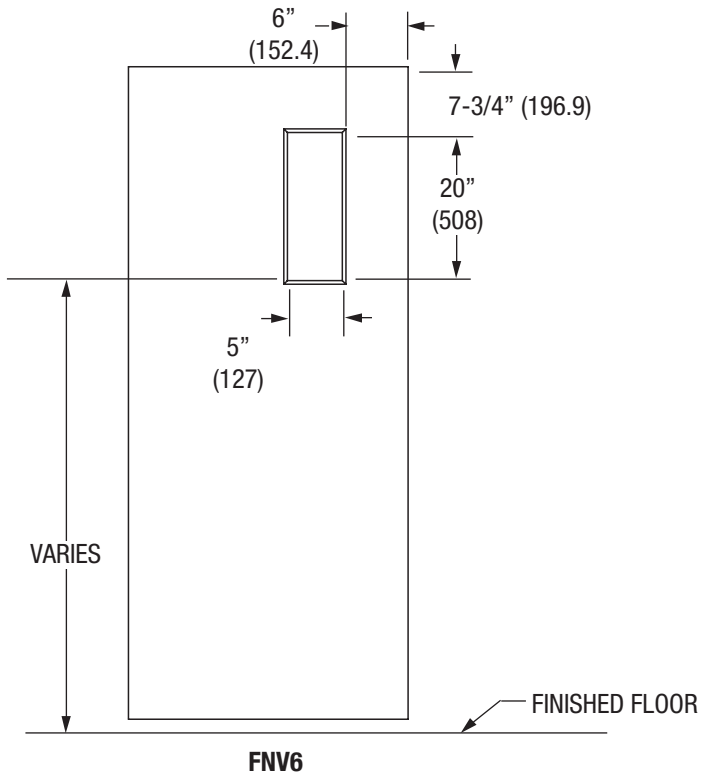
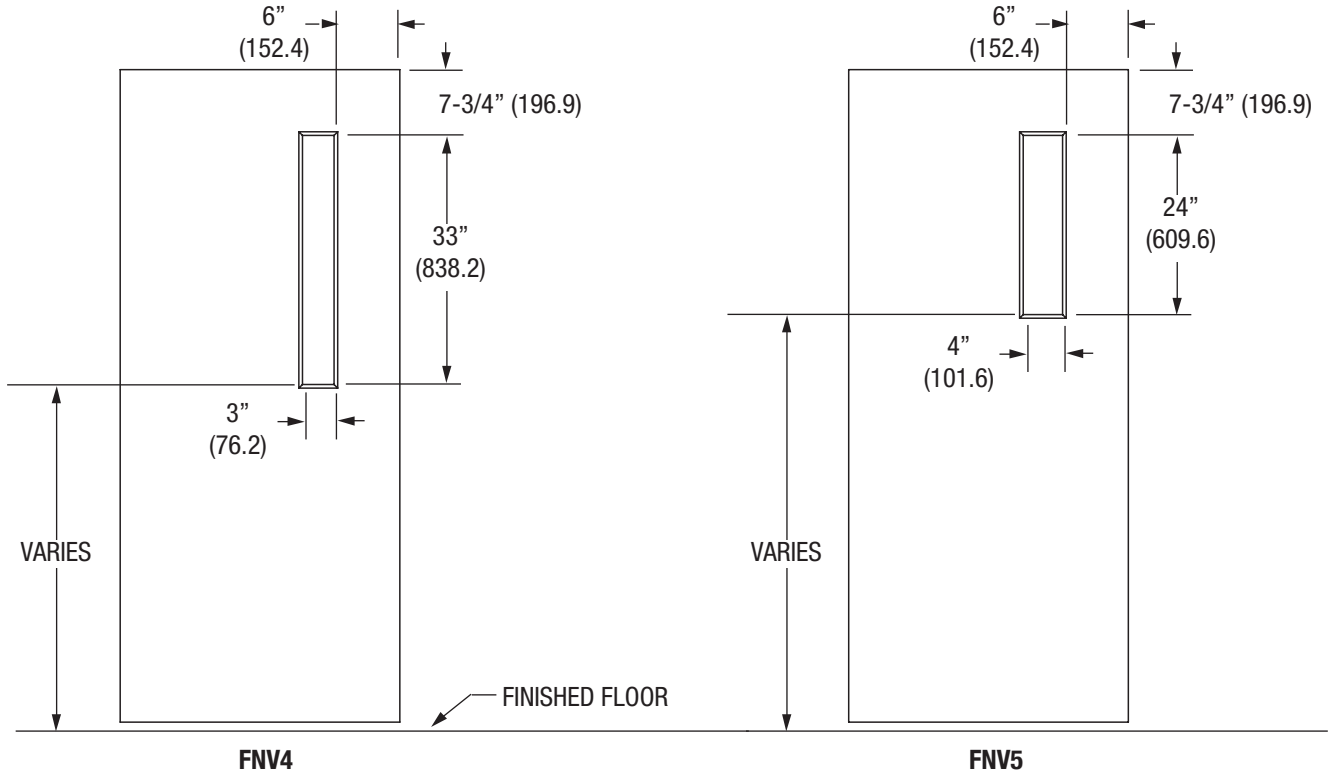
STANDARD LOCATIONS FOR DOORS OVER 7'2" (2184.4)



May, 2010

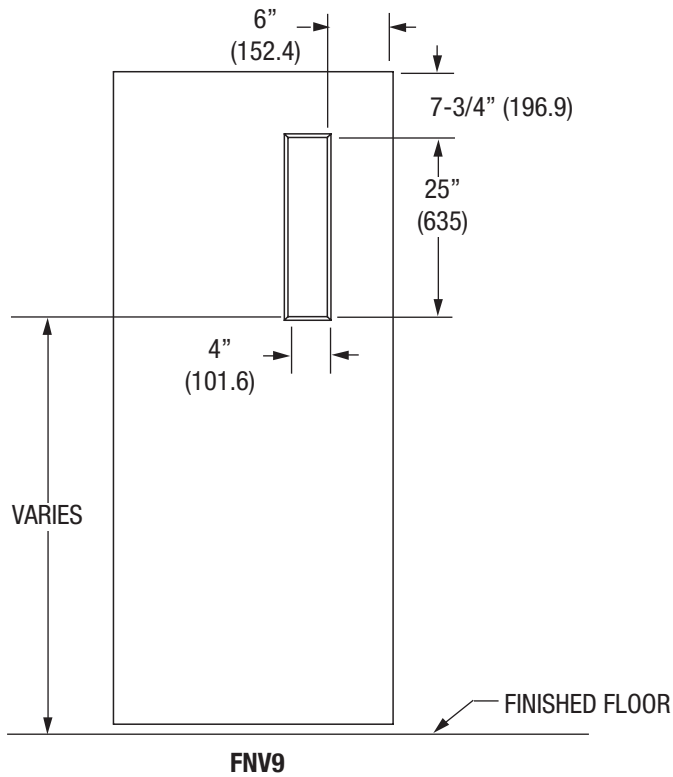
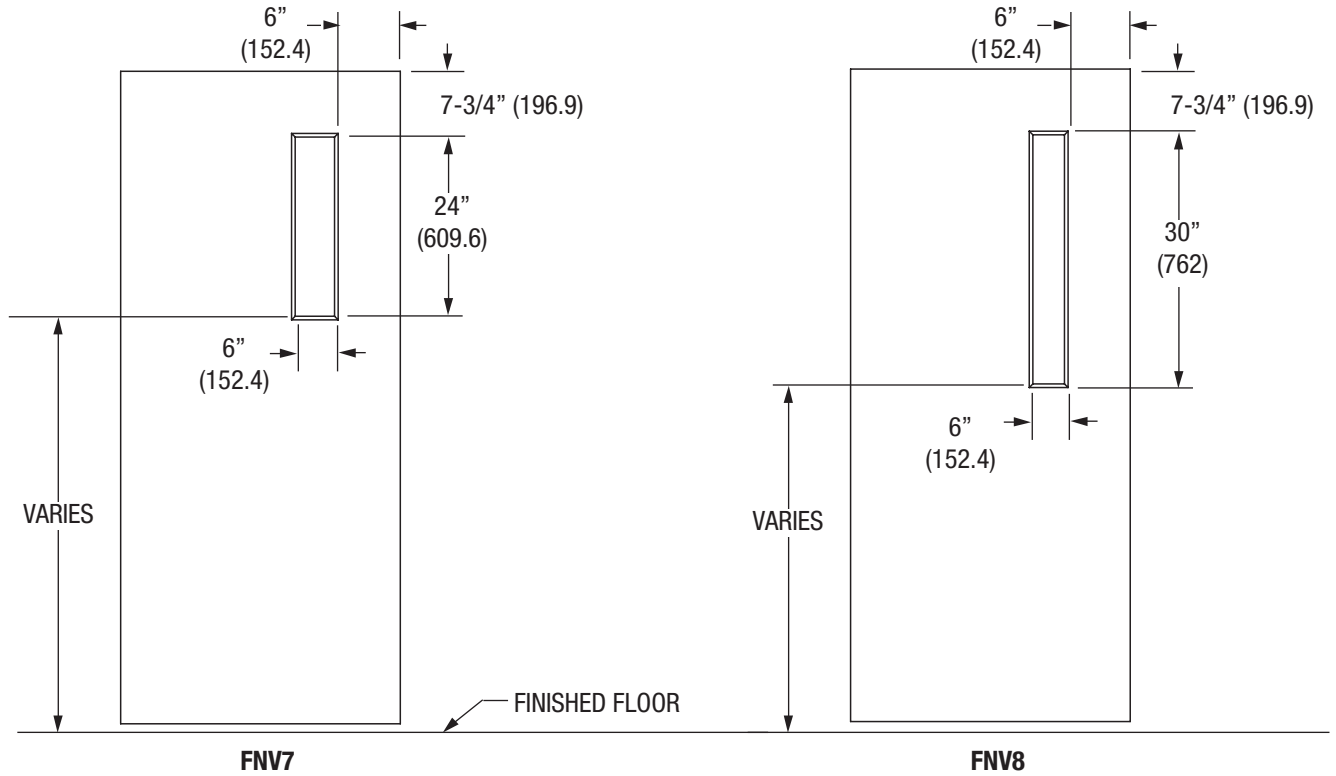


Type 1 & 2 Window Moulding



**STANDARD LOCATIONS FOR
DOORS 7'2" (2184.4) AND UNDER**

Type 1 & 2 Window Moulding



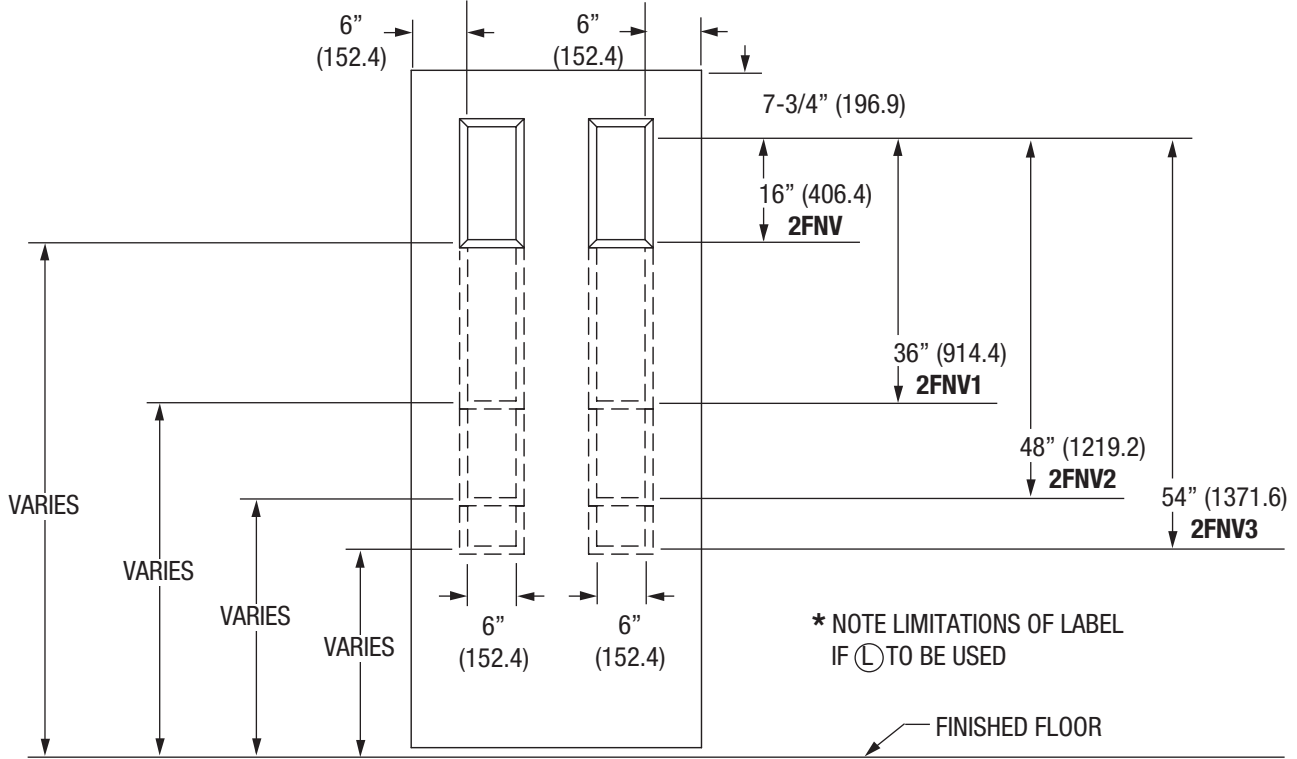
**STANDARD LOCATIONS FOR
DOORS 7'2" (2184.4) AND UNDER**

May, 2010

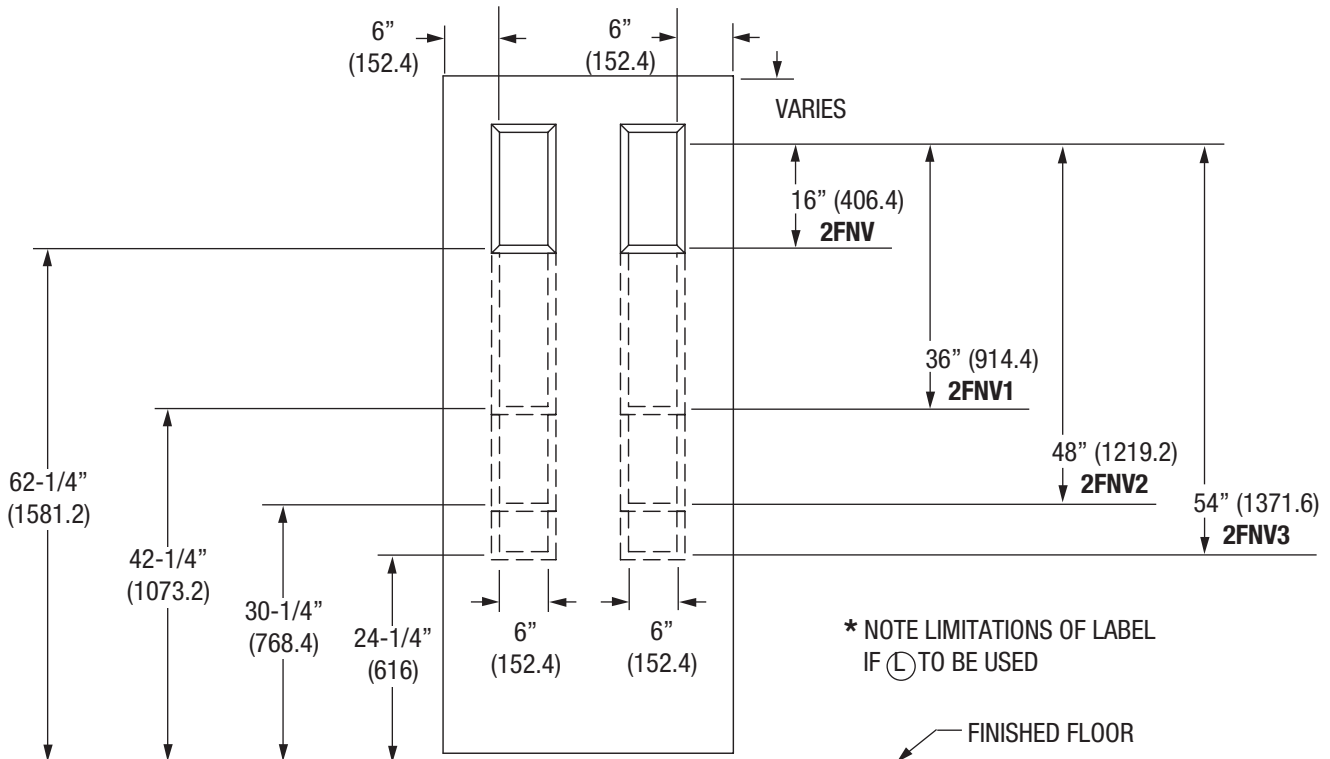


Type 1 & 2 Window Moulding

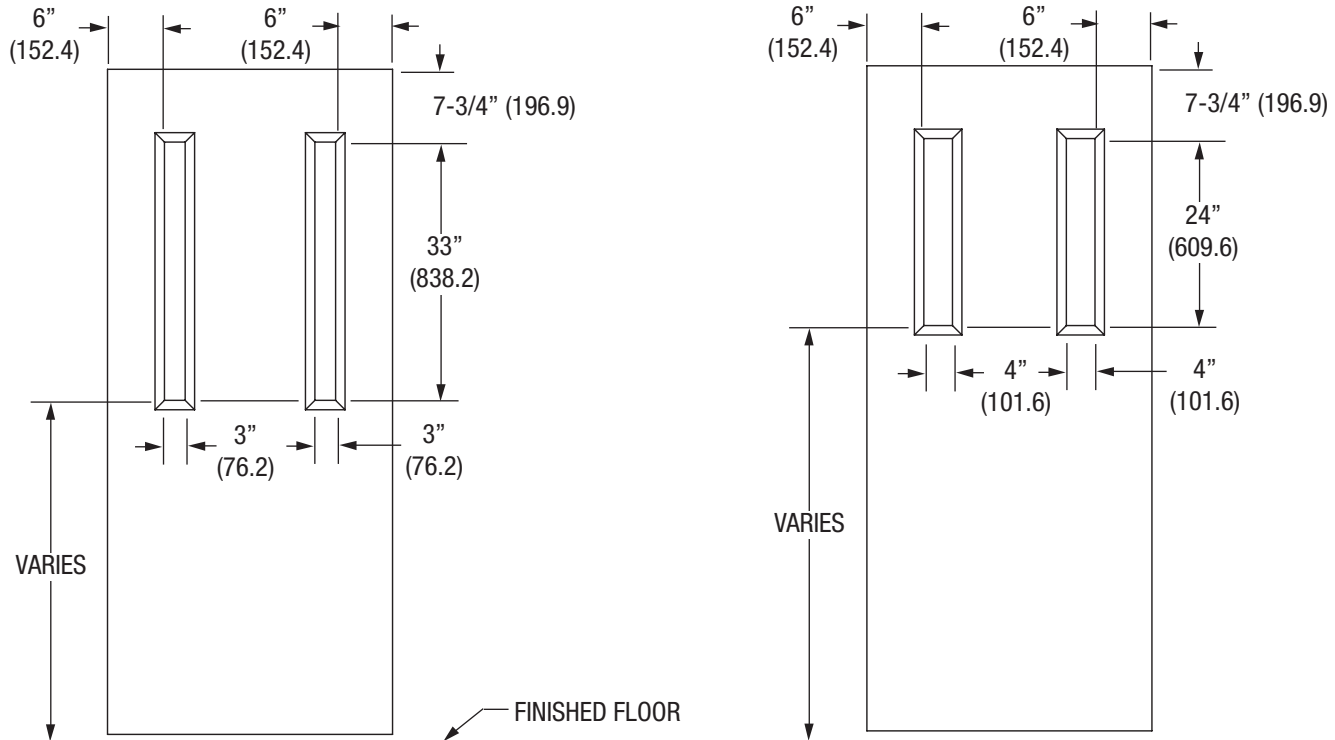
STANDARD LOCATIONS FOR DOORS 7'2" (2184.4) AND UNDER



STANDARD LOCATIONS FOR DOORS OVER 7'2" (2184.4)

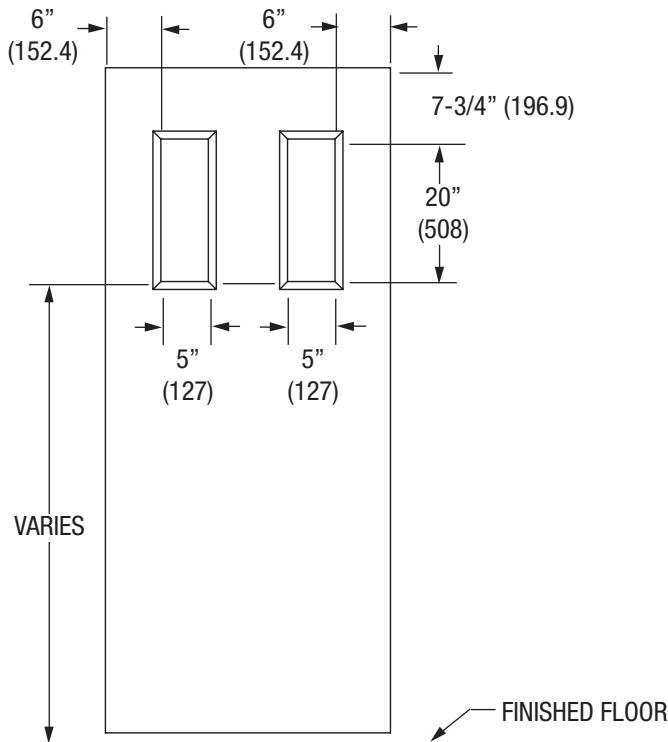


Type 1 & 2 Window Moulding



*** 2FNV4**

*** 2FNV5**



*** 2FNV6**

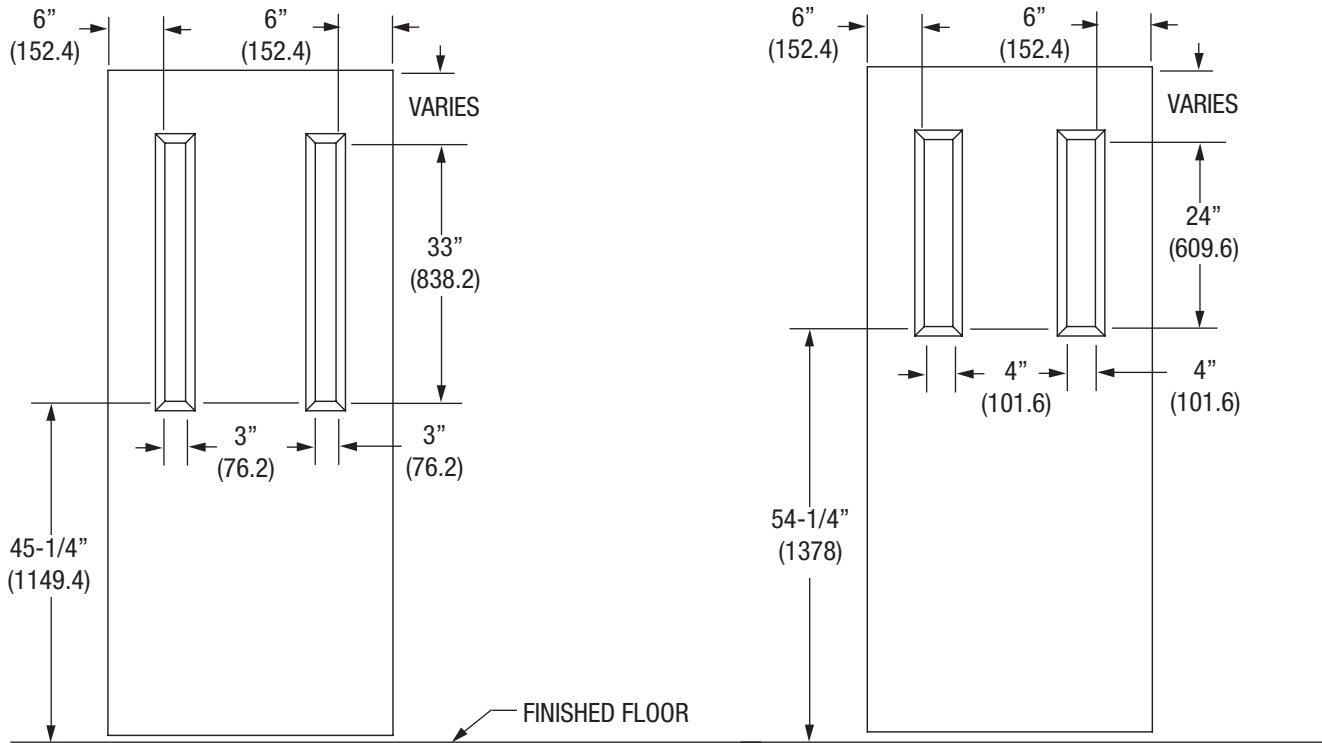
*** MINIMUM 6" (152.4) STILES
TO BE LABEL APPROVED**

**STANDARD LOCATIONS FOR
DOORS 7'2" (2184.4) AND UNDER**

May, 2010

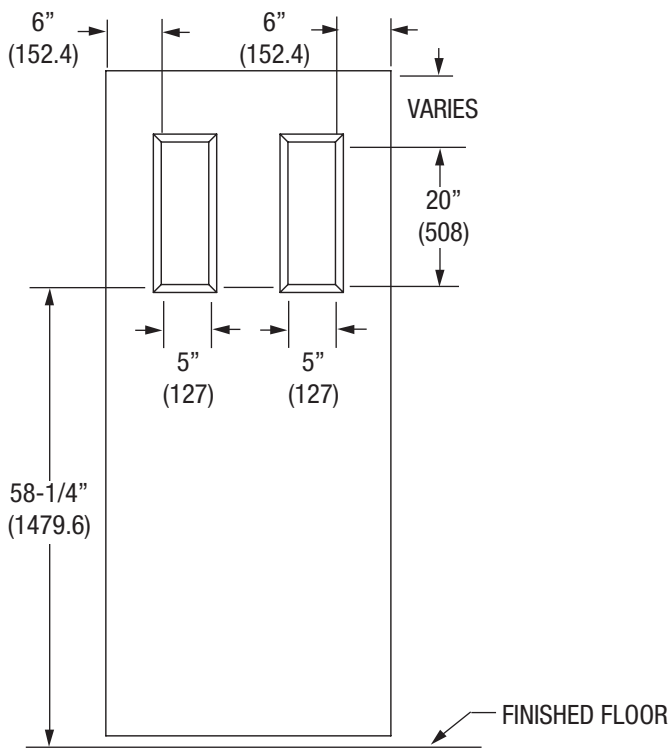


Type 1 & 2 Window Moulding



*** 2FNV4**

*** 2FNV5**

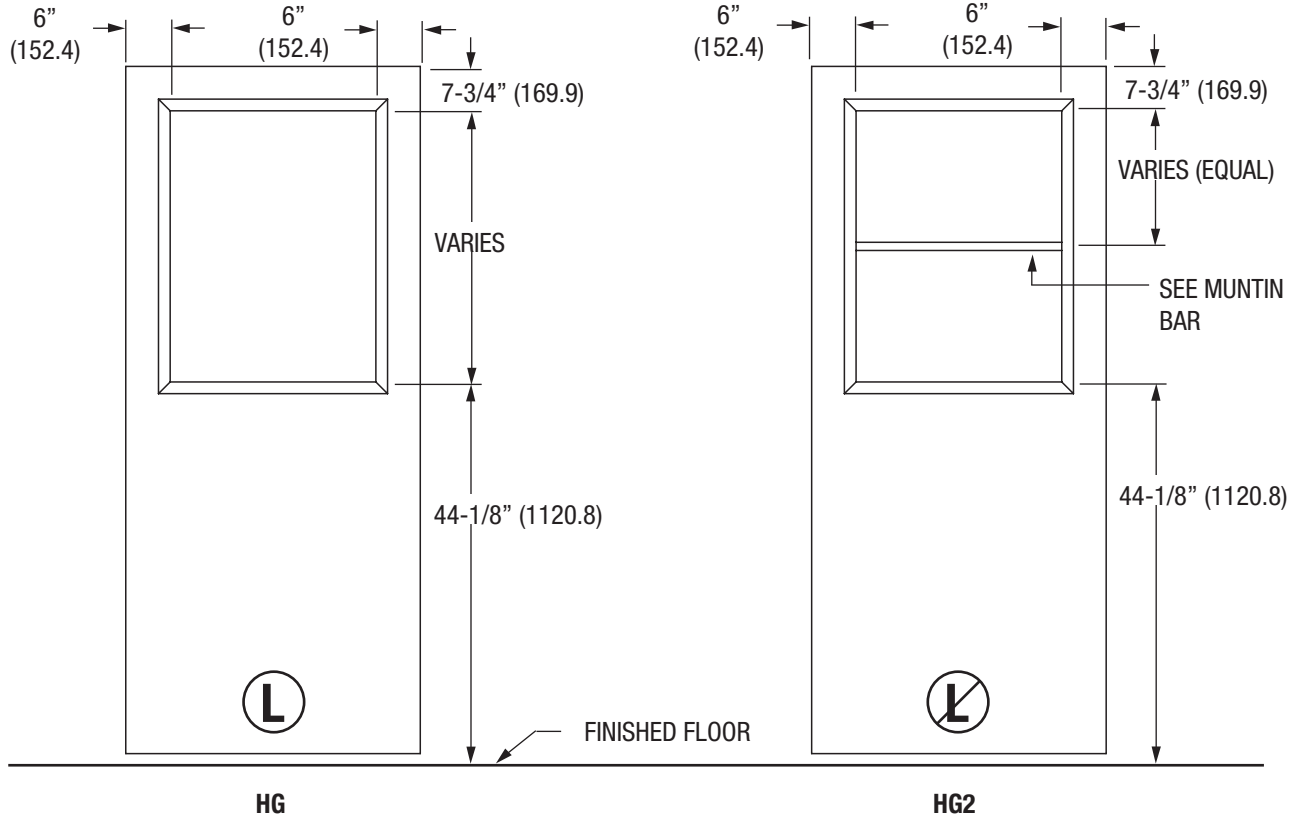


*** 2FNV6**

*** MINIMUM 6" (152.4) STILES
TO BE LABEL APPROVED**

**STANDARD LOCATIONS FOR
DOORS OVER 7'2"**

Type 1 & 2 Window Moulding



DOOR WIDTH	VISIBLE WIDTH	DOOR HEIGHT	VISIBLE HEIGHT
2'0" (609.6)	11-13/16" (300)		
2'4" (711.2)	15-13/16" (401.6)		
2'6" (762)	17-13/16" (452.4)	6'8" (2032)	28" (711.2)
2'8" (812.8)	19-13/16" (503.2)		
2'10" (863.6)	21-13/16" (554)		
3'0" (914.4)	23-13/16" (604.8)	7'0" (2133.6)	32" (812.8)
3'4" (1016)	27-13/16" (706.4)		
3'6" (1066.8)	29-13/16" (757.2)		
3'8" (1117.6)	31-13/16" (808)	7'2" (2184.4)	34" (863.6)
3'10" (1168.4)	33-13/16" (858.8)		
4'0" (1219.2)	35-13/16" (909.6)		

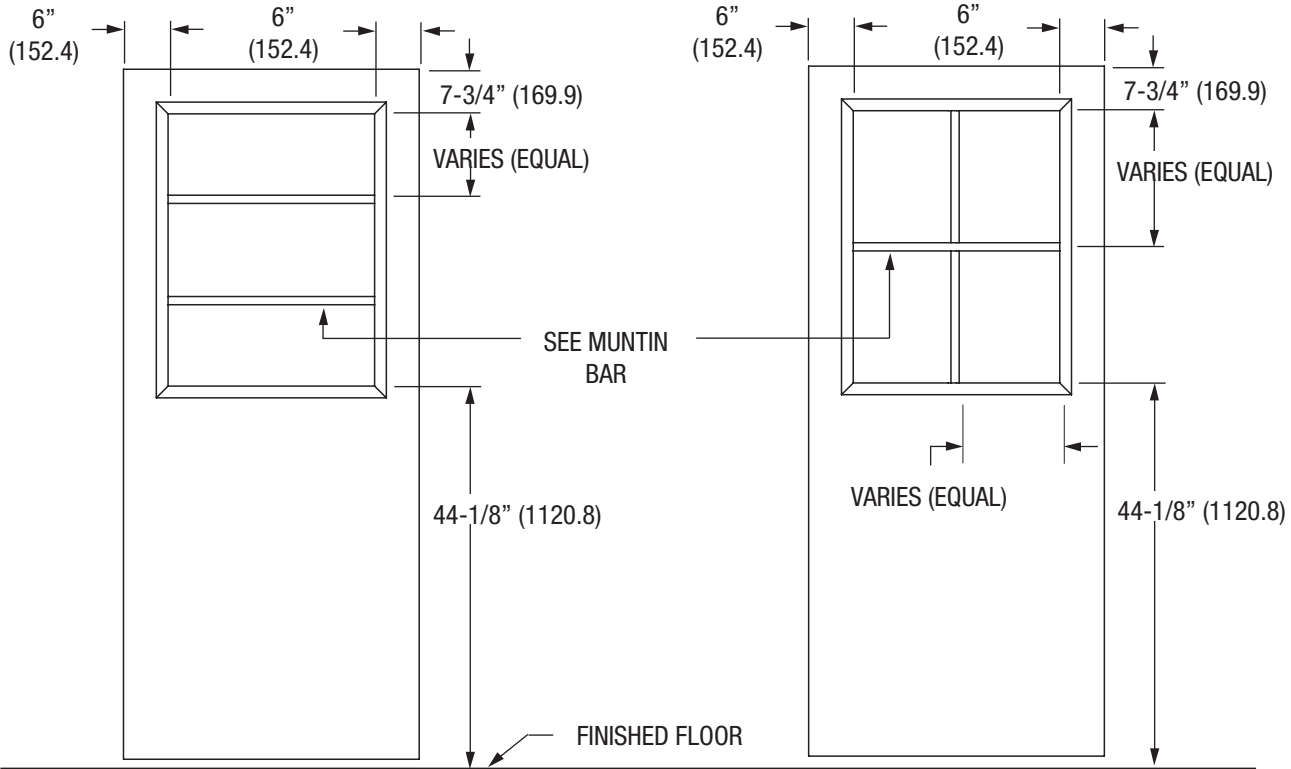
DOOR WIDTH	VISIBLE WIDTH	DOOR HEIGHT	VISIBLE HEIGHT
2'0" (609.6)	11-13/16" (330)		
2'4" (711.2)	15-13/16" (401.6)		
2'6" (762)	17-13/16" (452.4)	6'8" (2032)	13-9/16" (344.5)
2'8" (812.8)	19-13/16" (503.2)		
2'10" (863.6)	21-13/16" (554)		
3'0" (914.4)	23-13/16" (604.8)	7'0" (2133.6)	15-9/16" (395.3)
3'4" (1016)	27-13/16" (706.4)		
3'6" (1066.8)	29-13/16" (757.2)		
3'8" (1117.6)	31-13/16" (808)	7'2" (2184.4)	16-9/16" (420.7)
3'10" (1168.4)	33-13/16" (858.8)		
4'0" (1219.2)	35-13/16" (909.6)		

NOTE: FOR DOORS OVER 7'2" (2184.4) UP TO AND INCLUDING 8'0" (2438.4) STILE AND RAIL DIMENSIONS SHOWN ARE MAINTAINED. OVER 8'0" (2438.4) A MAXIMUM 44" (1117.6) VISIBLE HEIGHT IS AVAILABLE ON HG TYPE DOORS. OVER 44" (1117.6) VISIBLE HEIGHT IS CONSIDERED A FG DOOR. ALWAYS INDICATE LOCATION OF LIGHT ON DOOR FACE WHEN ORDERING DOORS OVER 8'0" (2438.4).

May, 2010



Type 1 & 2 Window Moulding



HG3

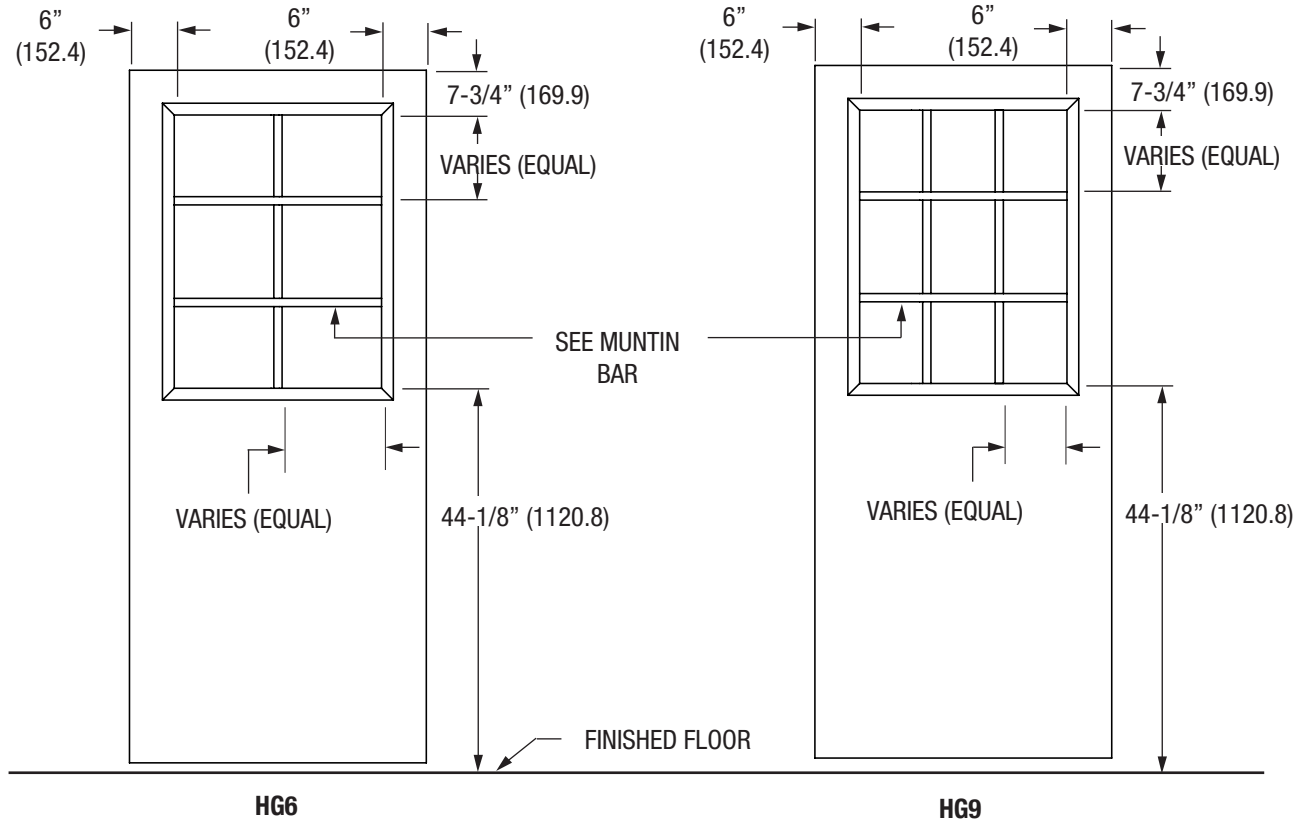
HG4

DOOR WIDTH	VISIBLE WIDTH	DOOR HEIGHT	VISIBLE HEIGHT
2'0" (609.6)	11-13/16" (300)		
2'4" (711.2)	15-13/16" (401.6)		
2'6" (762)	17-13/16" (452.4)	6'8" (2032)	8-3/4" (222.3)
2'8" (812.8)	19-13/16" (503.2)		
2'10" (863.6)	21-13/16" (554)		
3'0" (914.4)	23-13/16" (604.8)	7'0" (2133.6)	10-5/64" (256)
3'4" (1016)	27-13/16" (706.4)		
3'6" (1066.8)	29-13/16" (757.2)		
3'8" (1117.6)	31-13/16" (808)	7'2" (2184.4)	10-3/4" (273)
3'10" (1168.4)	33-13/16" (858.8)		
4'0" (1219.2)	35-13/16" (909.6)		

DOOR WIDTH	VISIBLE WIDTH	DOOR HEIGHT	VISIBLE HEIGHT
2'0" (609.6)	5-15/32" (138.9)		
2'4" (711.2)	7-15/32" (189.7)		
2'6" (762)	8-15/32" (215.1)	6'8" (2032)	13-9/16" (344.5)
2'8" (812.8)	9-15/32" (240.5)		
2'10" (863.6)	10-15/32" (265.9)		
3'0" (914.4)	11-15/32" (291.3)	7'0" (2133.6)	15-9/16" (395.3)
3'4" (1016)	13-15/32" (342.1)		
3'6" (1066.8)	14-15/32" (367.5)		
3'8" (1117.6)	15-15/32" (392.9)	7'2" (2184.4)	16-9/16" (420.7)
3'10" (1168.4)	16-15/32" (418.3)		
4'0" (1219.2)	17-15/32" (443.7)		

NOTE: FOR DOORS OVER 7'2" (2184.4) UP TO AND INCLUDING 8'0" (2438.4) STILE AND RAIL DIMENSIONS SHOWN ARE MAINTAINED. OVER 8'0" (2438.4) A MAXIMUM 44" (1117.6) VISIBLE HEIGHT IS AVAILABLE ON HG TYPE DOORS. OVER 44" (1117.6) VISIBLE HEIGHT IS CONSIDERED A FG DOOR. ALWAYS INDICATE LOCATION OF LIGHT ON DOOR FACE WHEN ORDERING DOORS OVER 8'0" (2438.4).

Type 1 & 2 Window Moulding



HG6

HG9

DOOR WIDTH	VISIBLE WIDTH	DOOR HEIGHT	VISIBLE HEIGHT
2'0" (609.6)	5-15/32" (138.9)		
2'4" (711.2)	7-15/32" (189.7)		
2'6" (762)	8-15/32" (215.1)	6'8" (2032)	8-3/4" (222.3)
2'8" (812.8)	9-15/32" (240.5)		
2'10" (863.6)	10-15/32" (265.9)		
3'0" (914.4)	11-15/32" (291.3)	7'0" (2133.6)	10-5/64" (256)
3'4" (1016)	13-15/32" (342.1)		
3'6" (1066.8)	14-15/32" (367.5)		
3'8" (1117.6)	15-15/32" (392.9)	7'2" (2184.4)	10-3/4" (273)
3'10" (1168.4)	16-15/32" (418.3)		
4'0" (1219.2)	17-15/32" (443.7)		

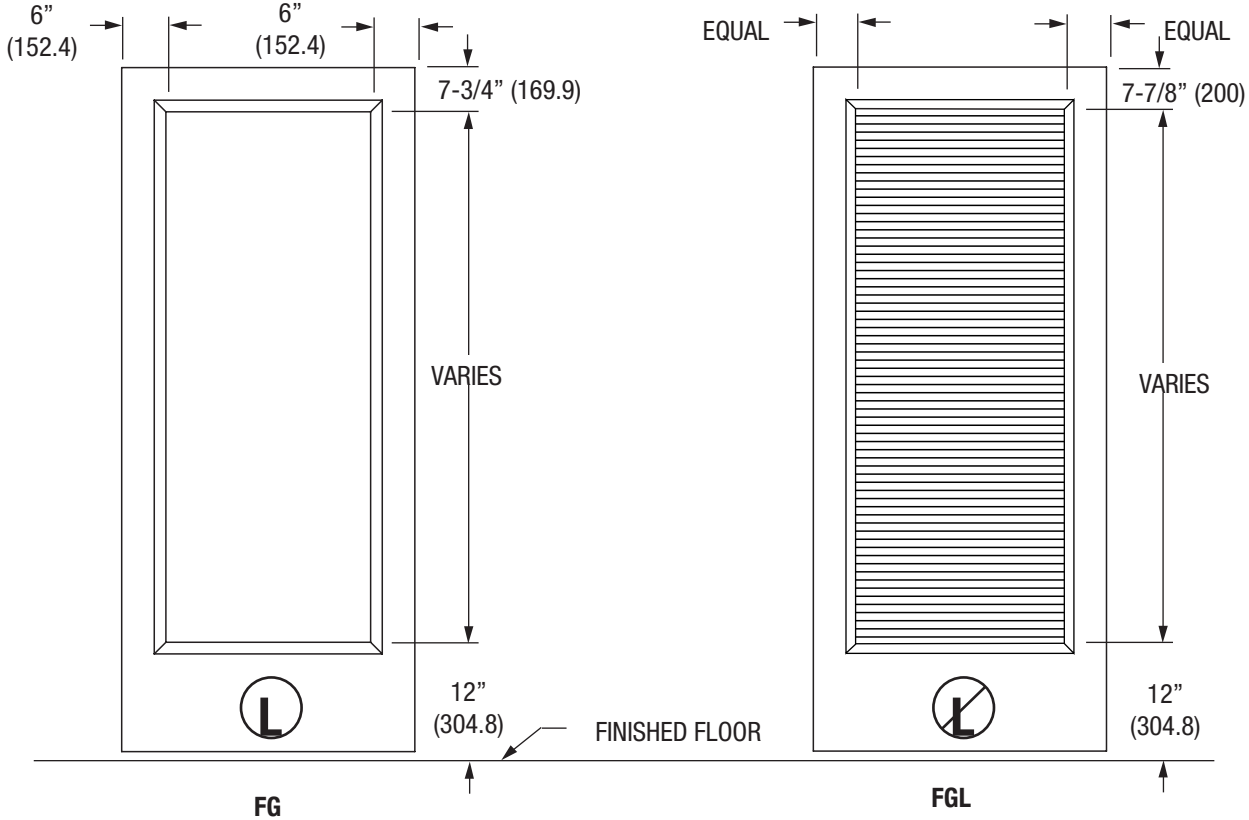
DOOR WIDTH	VISIBLE WIDTH	DOOR HEIGHT	VISIBLE HEIGHT
2'0" (609.6)	3-5/16" (84.1)		
2'4" (711.2)	4-5/8" (117.5)		
2'6" (762)	5-5/16" (134.9)	6'8" (2032)	8-3/4" (222.3)
2'8" (812.8)	6" (152.4)		
2'10" (863.6)	6-5/8" (168.3)		
3'0" (914.4)	7-5/16" (185.7)	7'0" (2133.6)	10-5/64" (256)
3'4" (1016)	8-5/8" (219.1)		
3'6" (1066.8)	9-5/16" (236.5)		
3'8" (1117.6)	10" (254)	7'2" (2184.4)	10-3/4" (273)
3'10" (1168.4)	10-5/8" (269.9)		
4'0" (1219.2)	11-5/16" (287.3)		

NOTE: FOR DOORS OVER 7'2" (2184.4) UP TO AND INCLUDING 8'0" (2438.4) STILE AND RAIL DIMENSIONS SHOWN ARE MAINTAINED. OVER 8'0" (2438.4) A MAXIMUM 44" (1117.6) VISIBLE HEIGHT IS AVAILABLE ON HG TYPE DOORS. OVER 44" (1117.6) VISIBLE HEIGHT IS CONSIDERED A FG DOOR. ALWAYS INDICATE LOCATION OF LIGHT ON DOOR FACE WHEN ORDERING DOORS OVER 8'0" (2438.4).

May, 2010



Type 1 & 2 Window Moulding



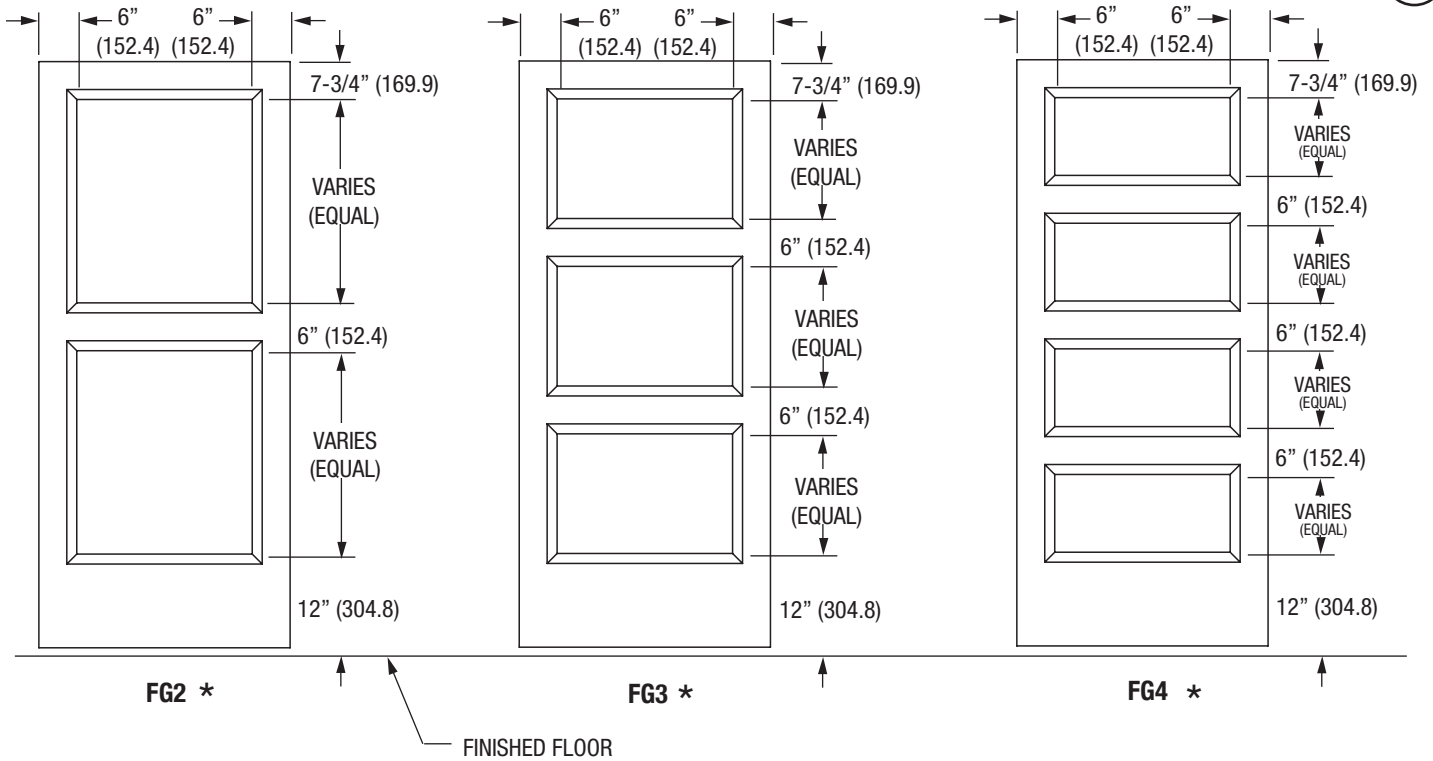
DOOR WIDTH	VISIBLE WIDTH	DOOR HEIGHT	VISIBLE HEIGHT
2'0" (609.6)	11-13/16" (300)		
2'4" (711.2)	15-13/16" (401.6)		
2'6" (762)	17-13/16" (452.4)	6'8" (2032)	60-1/8" (1527.2)
2'8" (812.8)	19-13/16" (503.2)		
2'10" (863.6)	21-13/16" (554)		
3'0" (914.4)	23-13/16" (604.8)	7'0" (2133.6)	64-1/8" (1628.8)
3'4" (1016)	27-13/16" (706.4)		
3'6" (1066.8)	29-13/16" (757.2)		
3'8" (1117.6)	31-13/16" (808)	7'2" (2184.4)	66-1/8" (1679.6)
3'10" (1168.4)	33-13/16" (858.8)		
4'0" (1219.2)	35-13/16" (909.6)		

DOOR WIDTH	VISIBLE WIDTH	DOOR HEIGHT	VISIBLE HEIGHT
2'0" (609.6)	12" (304.8)		
2'4" (711.2)	16" (406.4)		
2'6" (762)	18" (457.2)	6'8" (2032)	60" (1524)
2'8" (812.8)	20" (508)		
2'10" (863.6)	22" (558.8)		
3'0" (914.4)	24" (609.6)	7'0" (2133.6)	64" (1625.6)
3'4" (1016)	28" (711.6)		
3'6" (1066.8)	30" (762)		
3'8" (1117.6)	32" (812.8)	7'2" (2184.4)	66" (1676.4)
3'10" (1168.4)	34" (863.6)		
4'0" (1219.2)	36" (914.4)		

NOTE: FOR DOORS OVER 7'2" (2184.4) UP TO AND INCLUDING 8'0" (2438.4) STILE AND RAIL DIMENSIONS SHOWN ARE MAINTAINED. OVER 8'0" (2438.4) A MAXIMUM 44" (1117.6) VISIBLE HEIGHT IS AVAILABLE ON HG TYPE DOORS. OVER 44" (1117.6) VISIBLE HEIGHT IS CONSIDERED A FG DOOR. ALWAYS INDICATE LOCATION OF LIGHT ON DOOR FACE WHEN ORDERING DOORS OVER 8'0" (2438.4).

Experience a safer and more open world

Type 1 & 2 Window Moulding



* NOTE: A MINIMUM 6" STILE AND 6" RAIL IS REQUIRED FOR FIRE LABEL LISTED DOOR

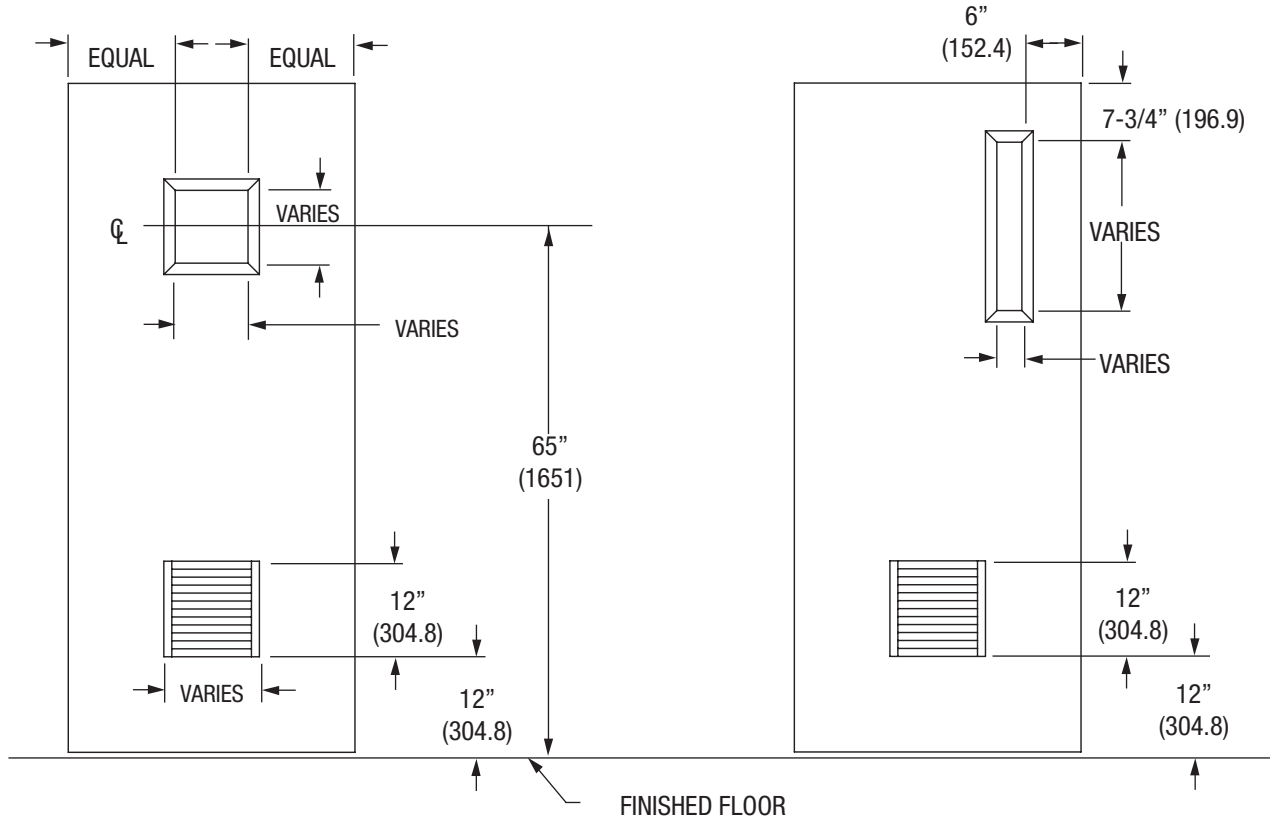
DOOR WIDTH	VISIBLE WIDTH	FG2		FG3		FG4	
		DOOR HEIGHT	VISIBLE HEIGHT	DOOR HEIGHT	VISIBLE HEIGHT	DOOR HEIGHT	VISIBLE HEIGHT
2'0" (609.6)	11-13/16" (330)						
2'4" (711.2)	15-13/16" (401.6)						
2'6" (762)	17-13/16" (452.4)	6'8" (2032)	27-1/16" (687.4)	6'8" (2032)	16-1/16" (408)	6'8" (2032)	10-9/16" (268.3)
2'8" (812.8)	19-13/16" (503.2)						
2'10" (863.6)	21-13/16" (554)						
3'0" (914.4)	23-13/16" (604.8)	7'0" (2133.6)	29-1/16" (738.2)	7'0" (2133.6)	17-3/8" (441.3)	7'0" (2133.6)	11-9/16" (293.7)
3'4" (1016)	27-13/16" (706.4)						
3'6" (1066.8)	29-13/16" (757.2)						
3'8" (1117.6)	31-13/16" (808)	7'2" (2184.4)	30-1/16" (763.6)	7'2" (2184.4)	18-1/16" (458.8)	7'2" (2184.4)	12-1/16" (306.4)
3'10" (1168.4)	33-13/16" (858.8)						
4'0" (1219.2)	35-13/16" (909.6)						

NOTE: FOR DOORS OVER 7'2" (2184.4) UP TO AND INCLUDING 8'0" (2438.4) STILE AND RAIL DIMENSIONS SHOWN ARE MAINTAINED. ALWAYS INDICATE LOCATION OF LIGHT ON DOOR FACE WHEN ORDERING DOORS OVER 8'0" (2438.4).

May, 2010



Type 1 & 2 Window Moulding



FVL

- FV = FULL VISION STANDARDS
- L = LOUVER STANDARDS

FNVL

- FNV = FULL NARROW VISION STANDARDS
- L = LOUVER STANDARDS

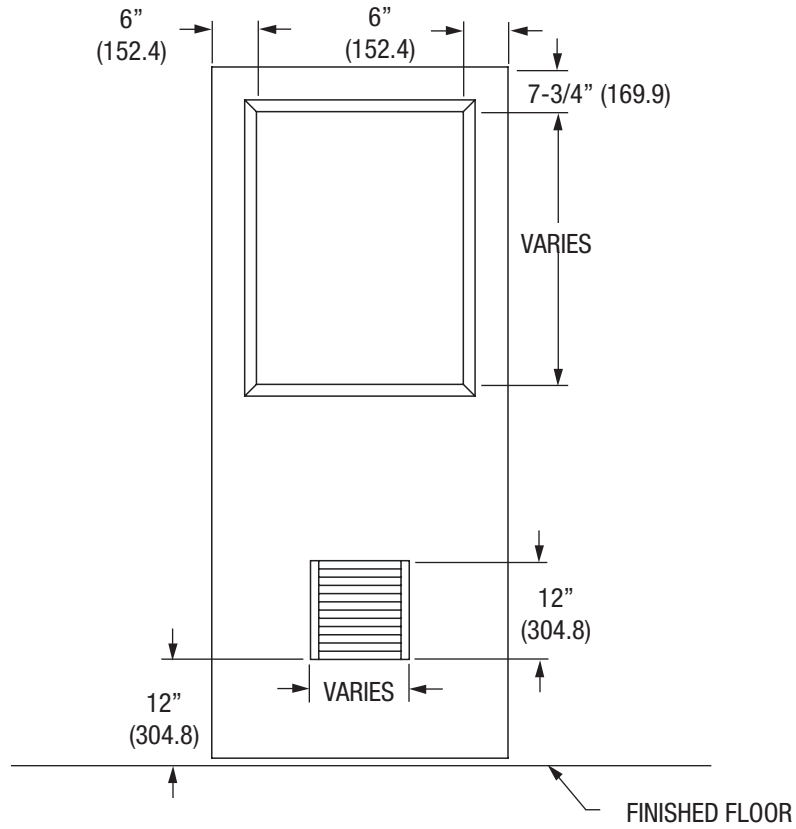
EXAMPLE: FV112
 12" X 12" (305 X 305) FULL VISION LITE
 18" X 12" (457 X 305) LOUVER

EXAMPLE: FNVL12
 6" X 36" (152 X 914) NARROW VISION LITE
 18" X 12" (457 X 305) LOUVER

PROVIDE CUTOUT ONLY SIZE FOR LOUVERS



Type 1 & 2 Window Moulding



HGL

- HG = HALF GLASS STANDARDS
- L = LOUVER STANDARDS

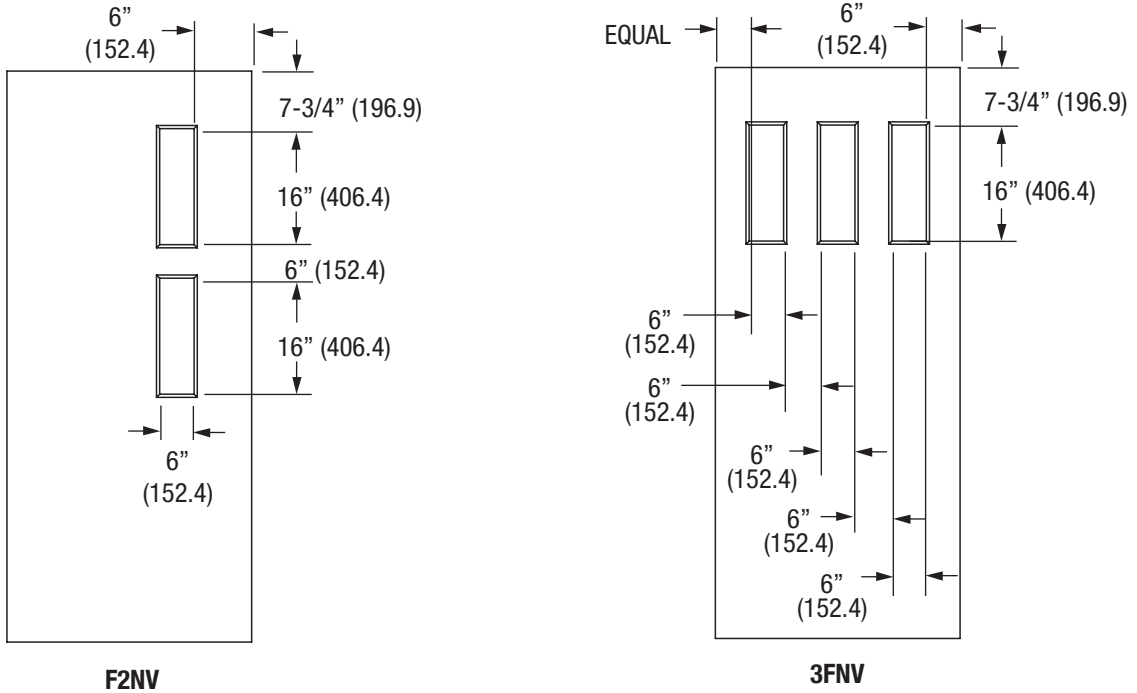
EXAMPLE: HGL 2
 WINDOW PANE-HALF GLASS ←
 18" X 12" (457 X 305) LOUVER ←

PROVIDE CUTOUT ONLY SIZE FOR LOUVERS

May, 2010



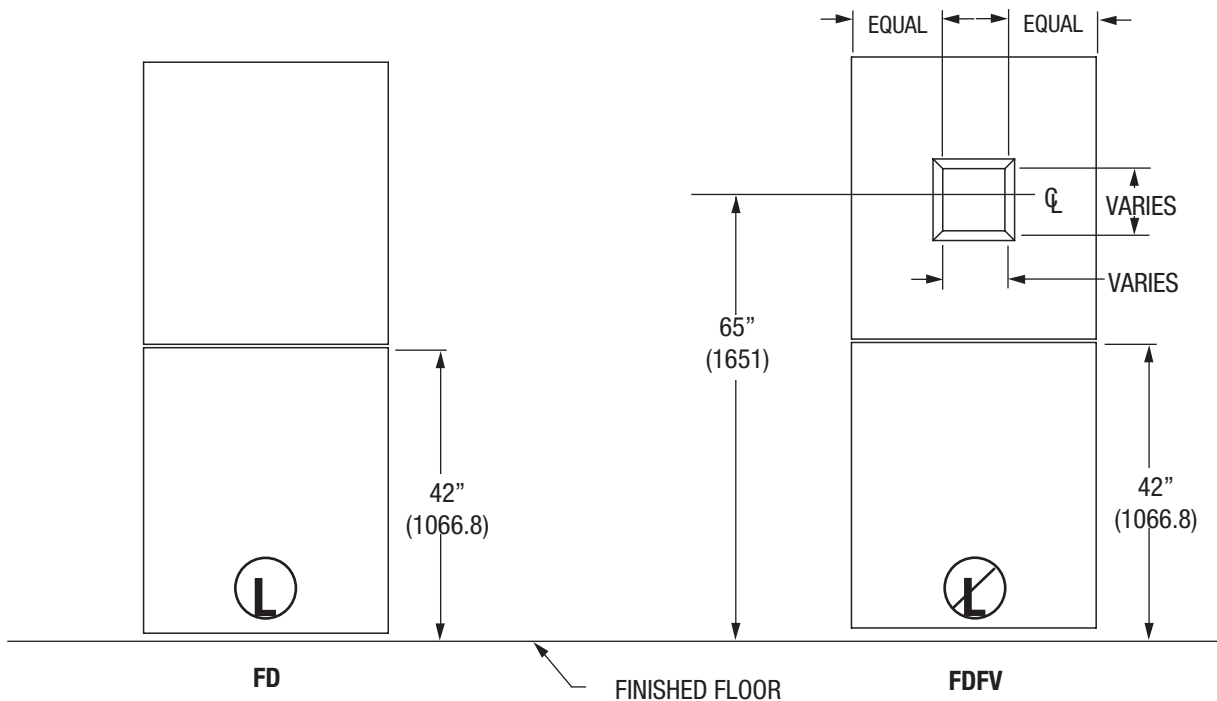
Type 1 & 2 Window Moulding



DOOR WIDTH FOR 3FNV MUST BE AT LEAST 3'6" (1066.8) WIDE!

★ NOTE: MINIMUM 6" STILES TO BE FIRE LABEL LISTED.

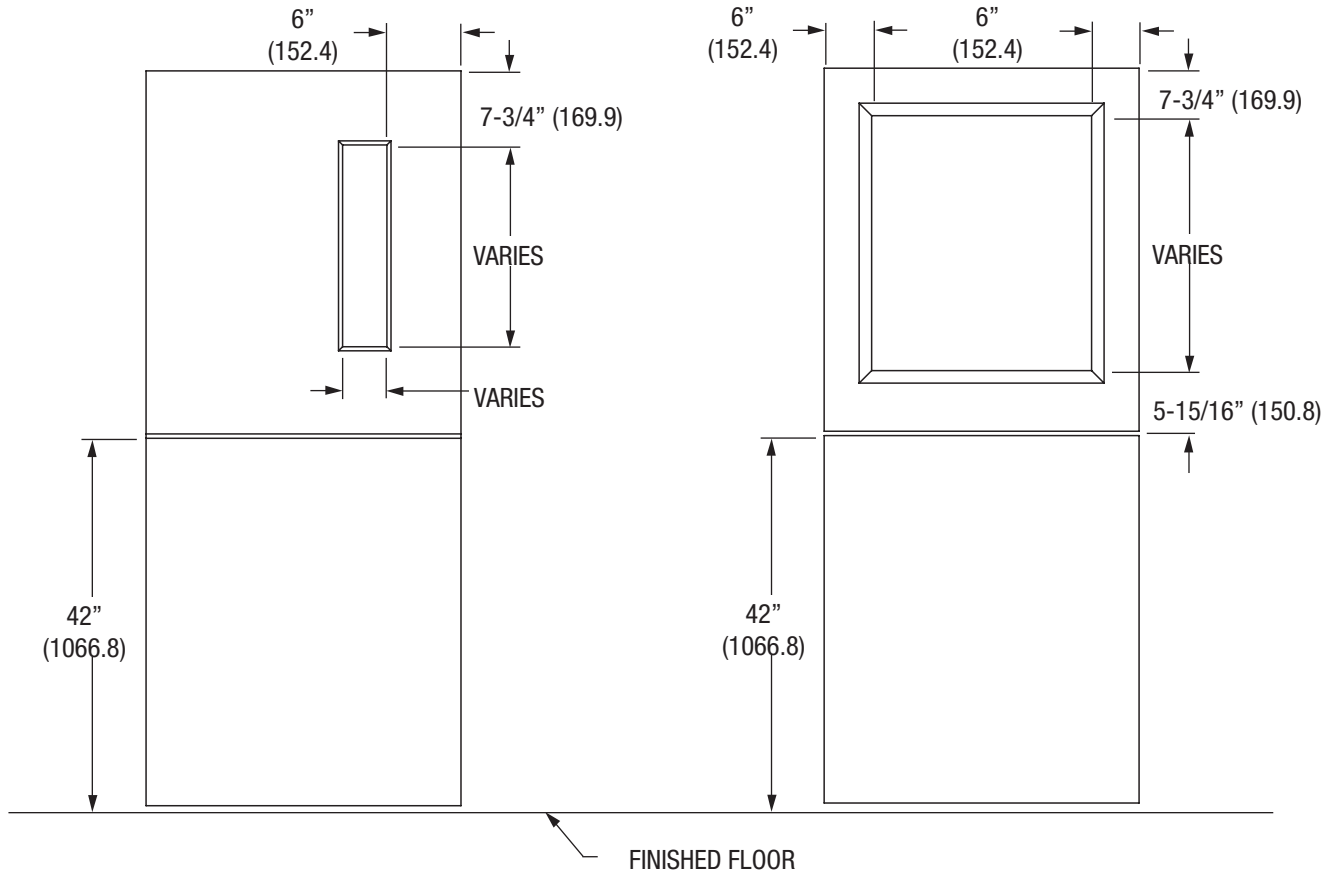
Face Type Locations FD, FDFV



FDFV	10" (254) X 10" (254)
FDFV1	12" (304.8) X 12" (304.8)



Type 1 & 2 Window Moulding



FDFNV

FD = FLUSH DUTCH
FNV = FULL NARROW VISION STANDARDS

FDHG

FD = FLUSH DUTCH
HG = HALF GLASS STANDARDS

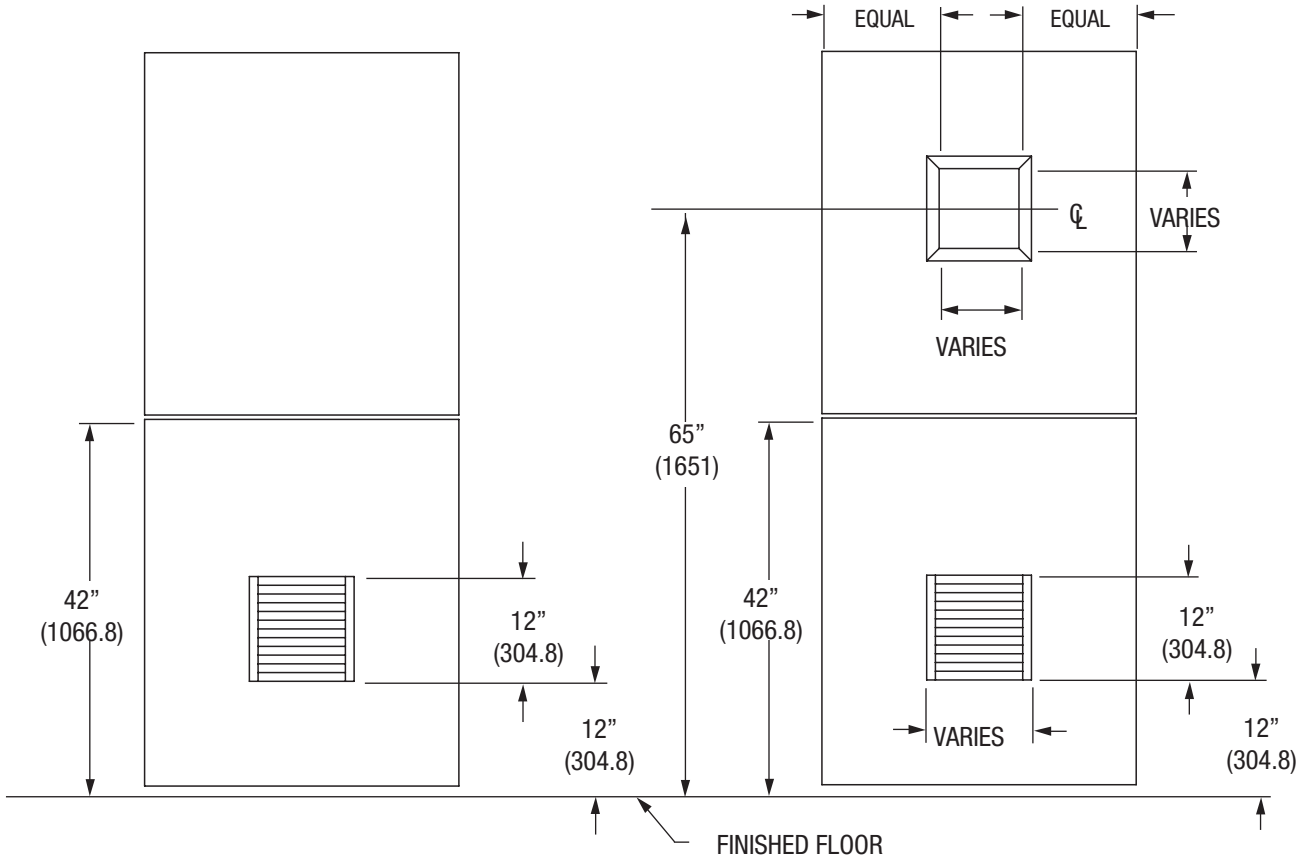
EXAMPLE: FDFNV1
FLUSH DUTCH ←
6" X 36" (152 X 914) NARROW VISION LITE ←

EXAMPLE: FDHG
FLUSH DUTCH ←
(3) WINDOW PANE-HALF GLASS ←

May, 2010



Type 1 & 2 Window Moulding



FDL

- FD = FLUSH DUTCH
- L = LOUVER STANDARDS

EXAMPLE: FDL3
 FLUSH DUTCH ←
 20" X 12" (508 X 305) LOUVER ←

FDFVL

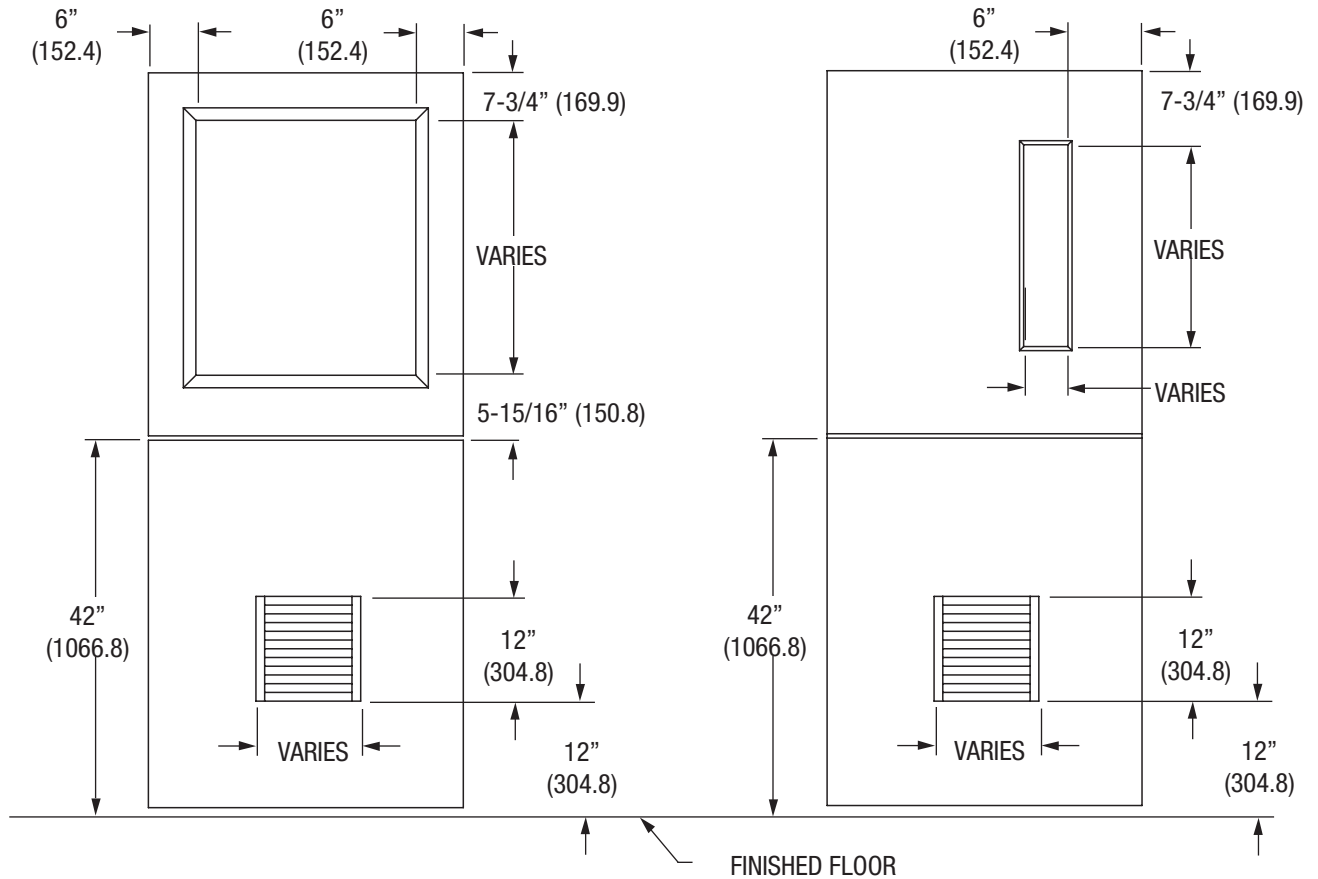
- FD = FLUSH DUTCH
- FV = FULL VISION STANDARDS
- L = LOUVER STANDARDS

EXAMPLE: FDFV1L3
 FLUSH DUTCH ←
 12" X 12" (305 X 305) FULL VISION LITE ←
 20" X 12" (508 X 305) LOUVER ←

PROVIDE CUTOUT ONLY SIZE FOR LOUVERS



Type 1 & 2 Window Moulding



FDHGL

- FD = FLUSH DUTCH
- HG = HALF GLASS STANDARDS
- L = LOUVER STANDARDS

FDFNVL

- FD = FLUSH DUTCH
- FNV = FULL NARROW VISION STANDARDS
- L = LOUVER STANDARDS

EXAMPLE: FDHG3L?
 FLUSH DUTCH ←
 (3) WINDOW PANE-HALF GLASS ←
 18" X 12" (457 X 305) LOUVER ←

EXAMPLE: FDFNV1L?
 FLUSH DUTCH ←
 6" X 36" (152 X 914) NARROW VISION LITE ←
 18" X 12" (457 X 305) LOUVER ←

PROVIDE CUTOUT ONLY SIZE FOR LOUVERS

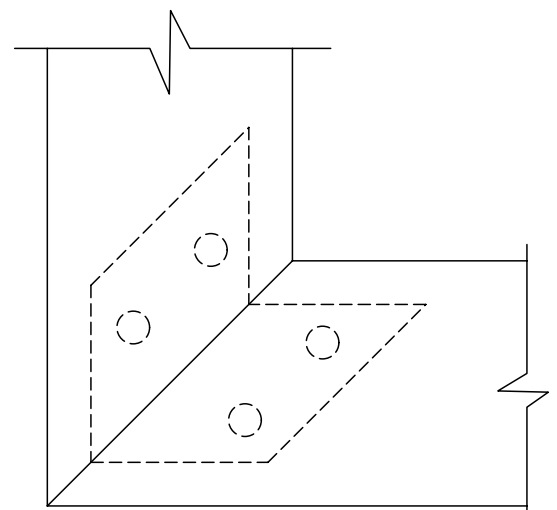
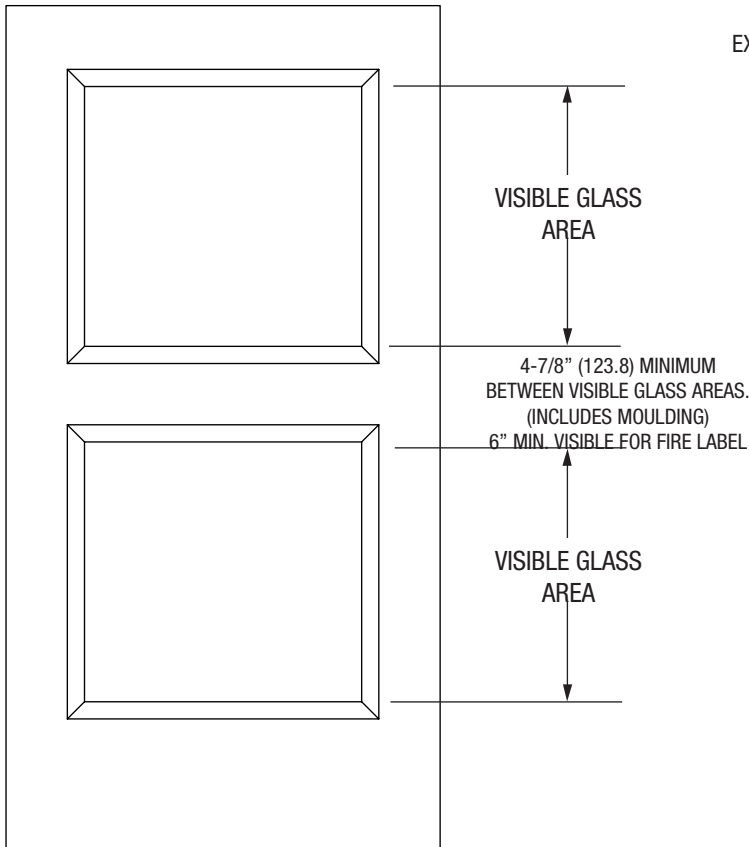
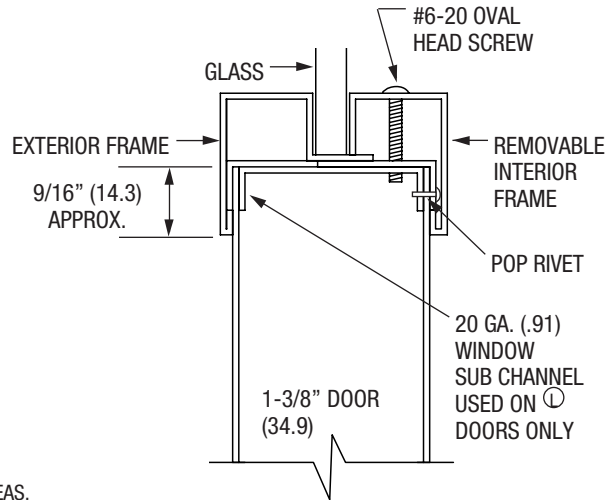
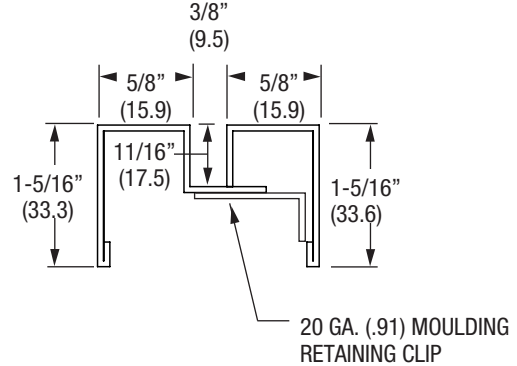
May, 2010



Type 1 & 2 Window Moulding

18 GA. (1.2) GALV. STEEL
VISION LITE FRAME

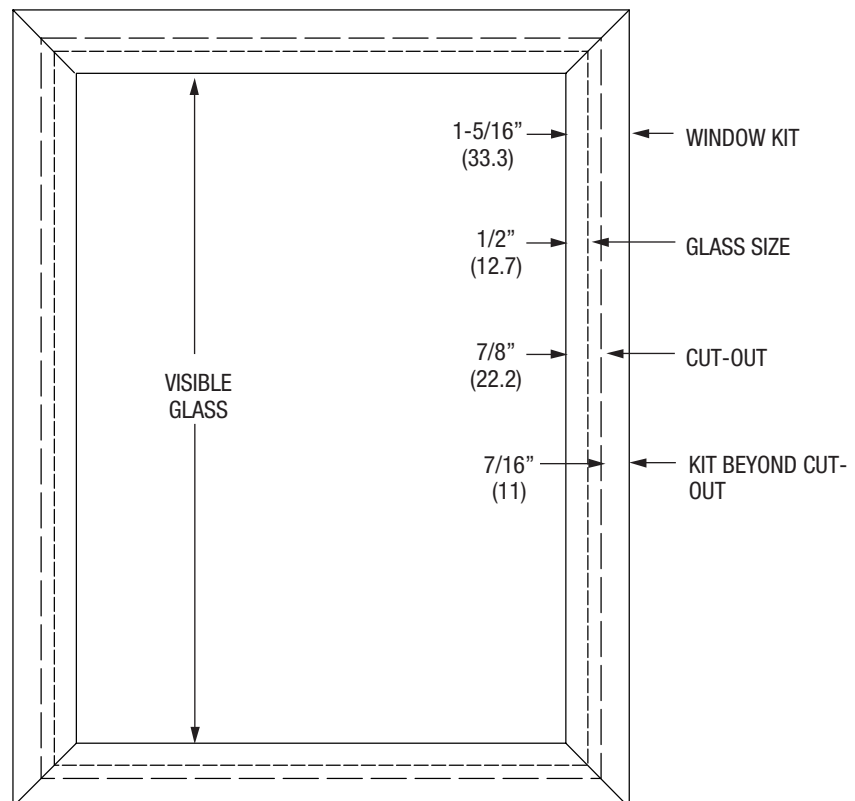
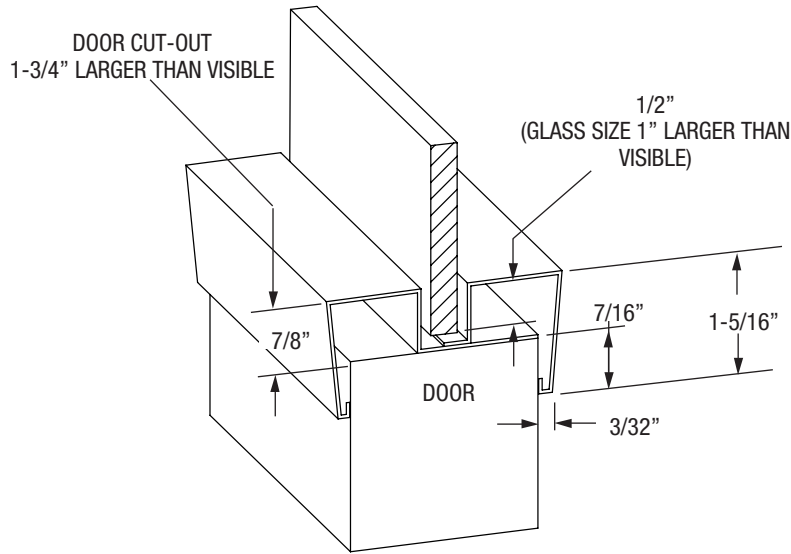
1/4" (6.3) GLASS
3/8" (9.5) POCKET ONLY



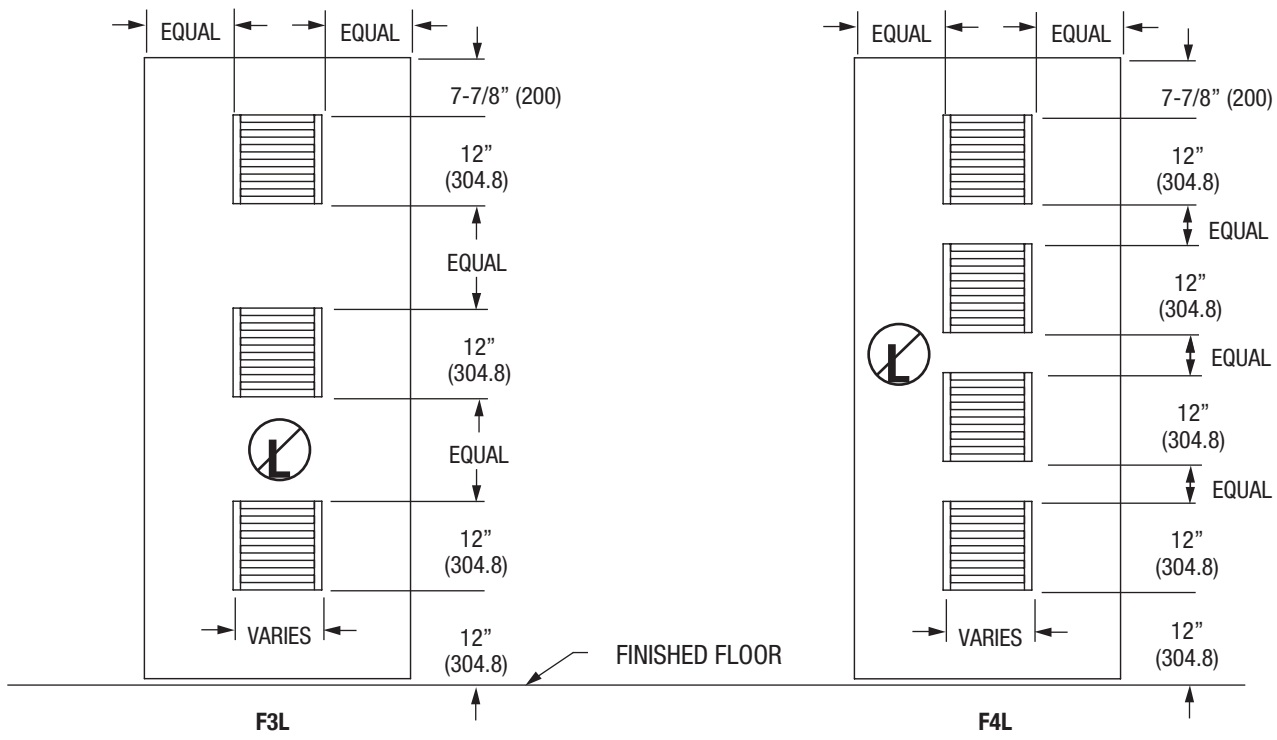
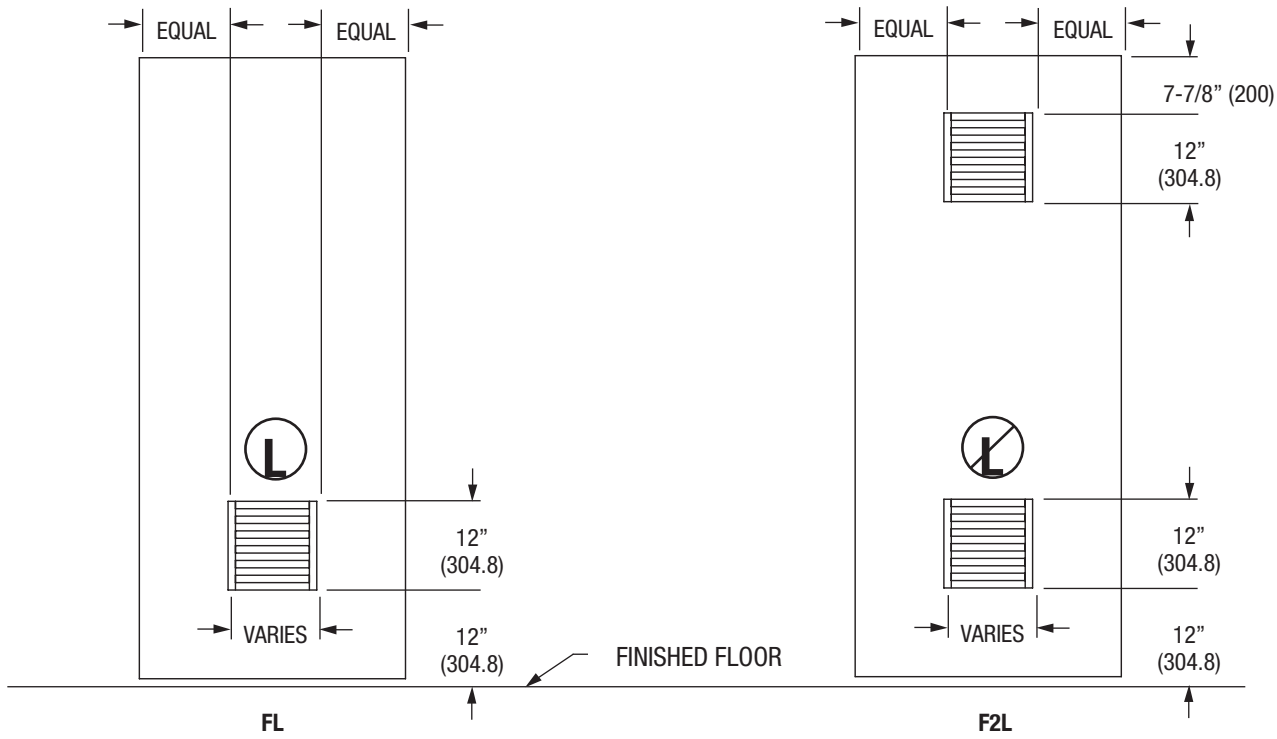
CORNER DETAIL WITH
CORNER CLIP WELDED IN

NOTE: ORDER GLASS SIZE 1" LARGER THAN
VISIBLE GLASS DIMENSION

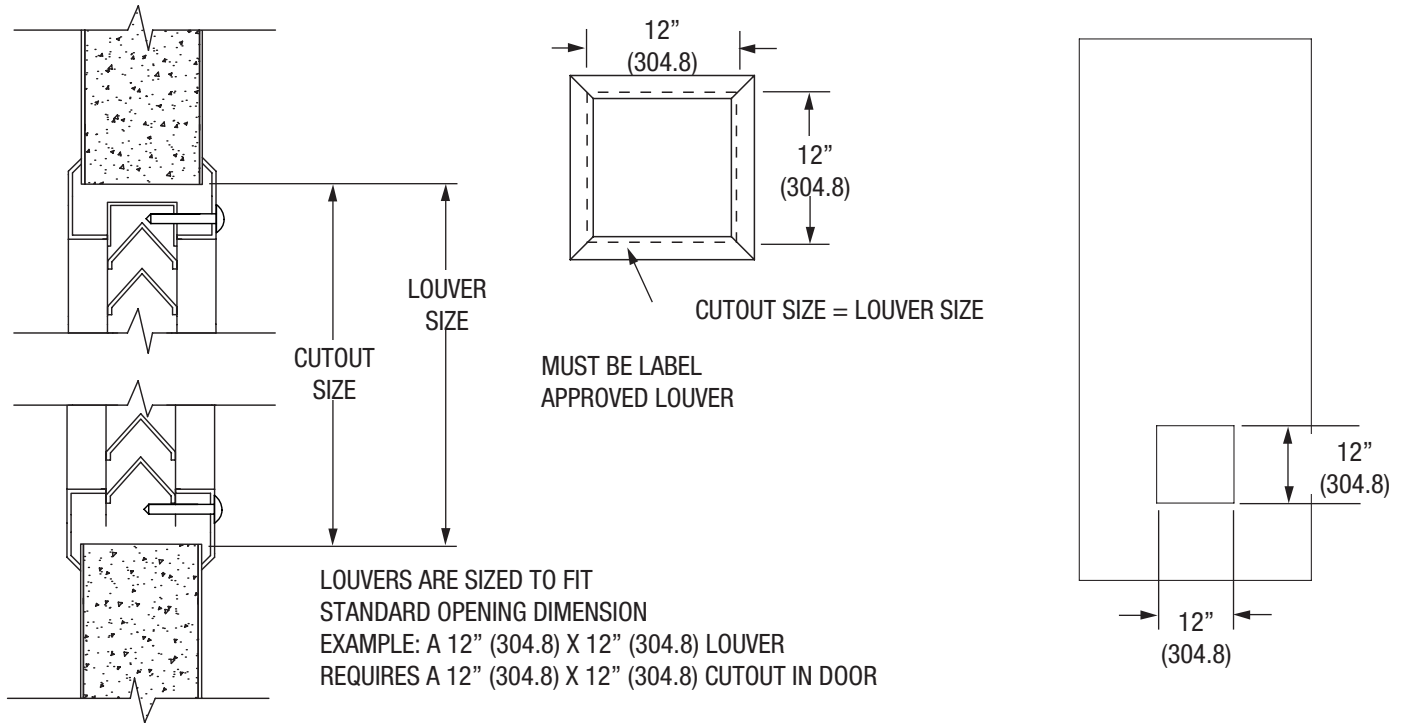
Type 1 & 2 Window Moulding



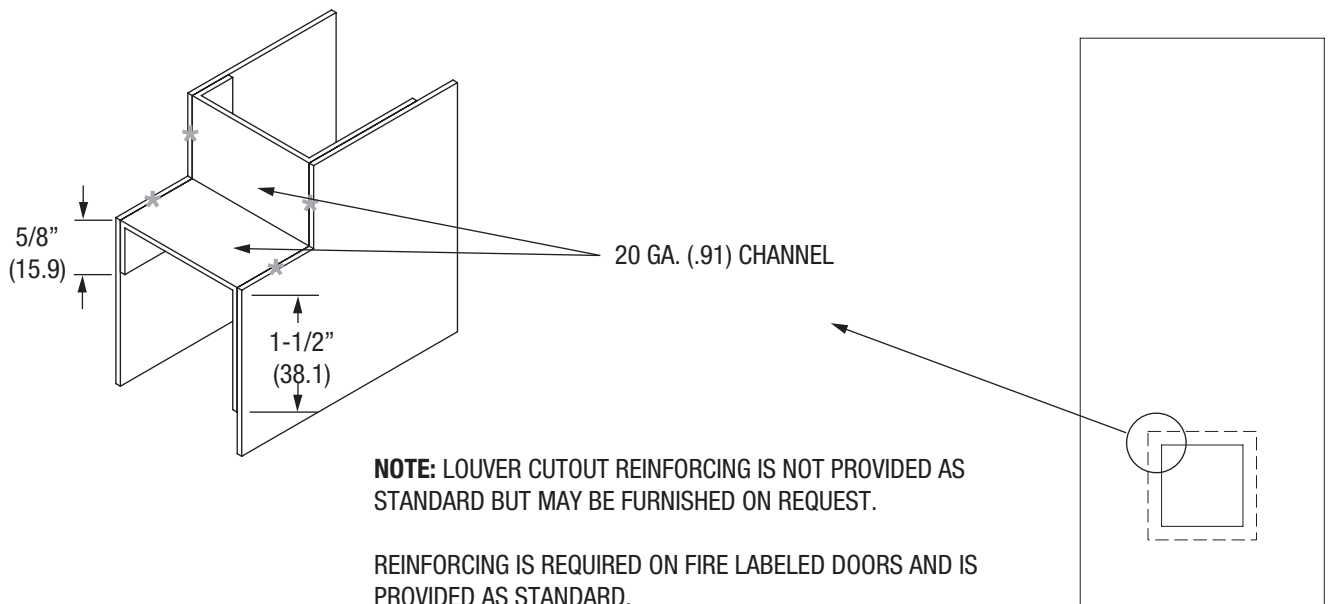
April, 2002



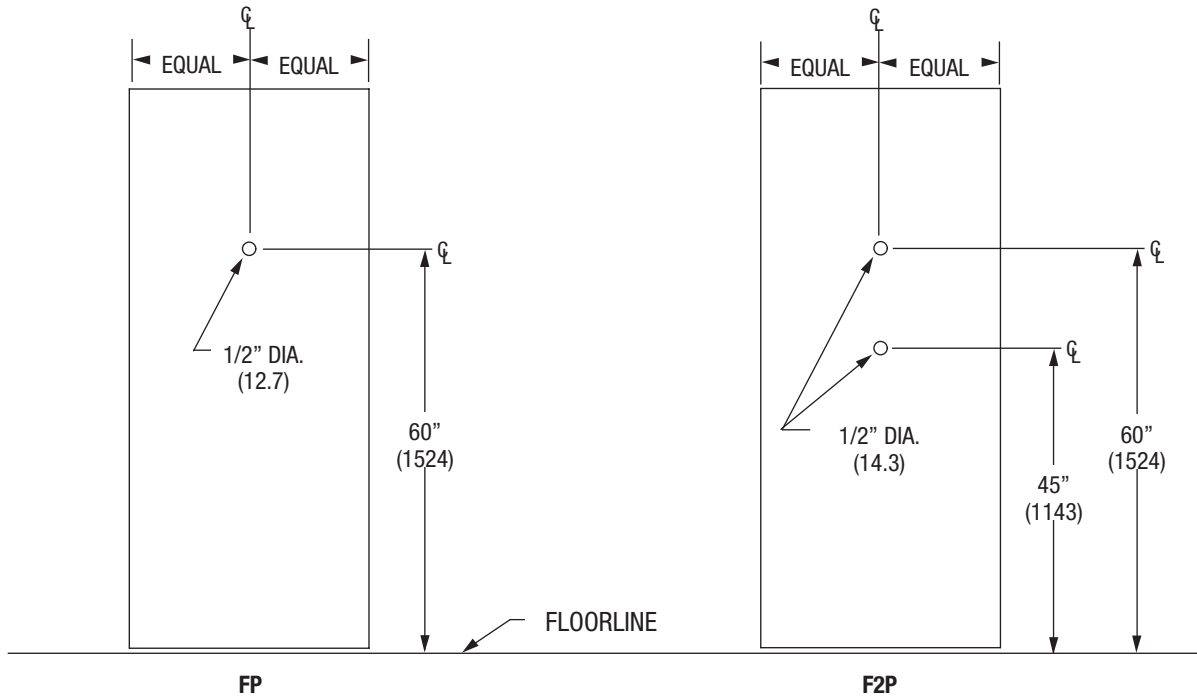
FL	F2L	F3L	F4L	12" (304.8) X 12" (304.8)
FL2	F2L2	F3L2	F4L2	18" (457.2) X 12" (304.8)
FL3	F2L3	F3L3	F4L3	20" (508) X 12" (304.8)
FL4	F2L4	F3L4	F4L4	24" (609.6) X 12" (304.8)



Louver Cutout Reinforcing (Optional)

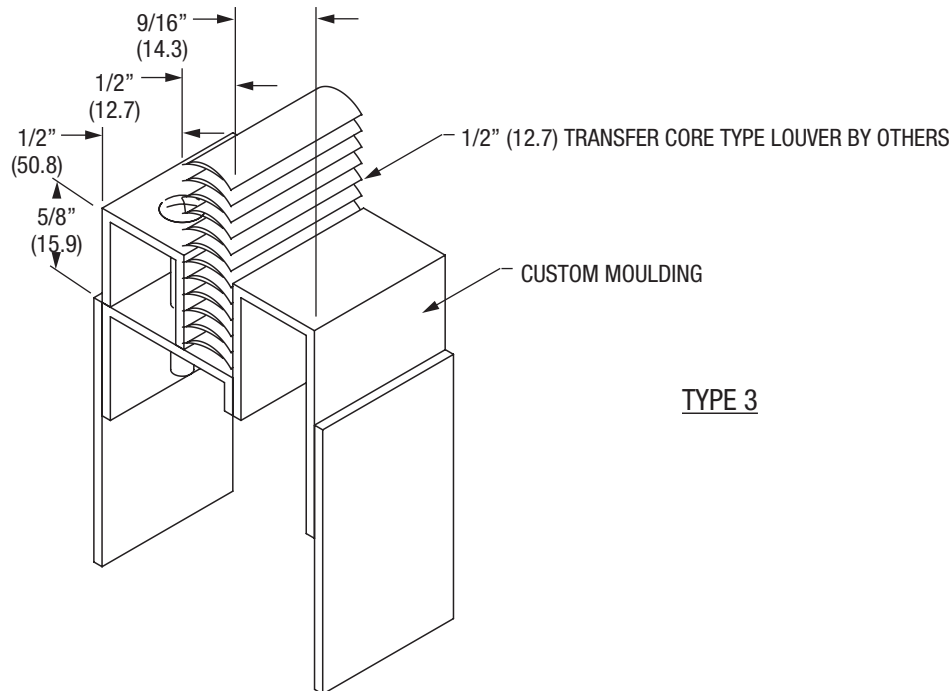


April, 2002

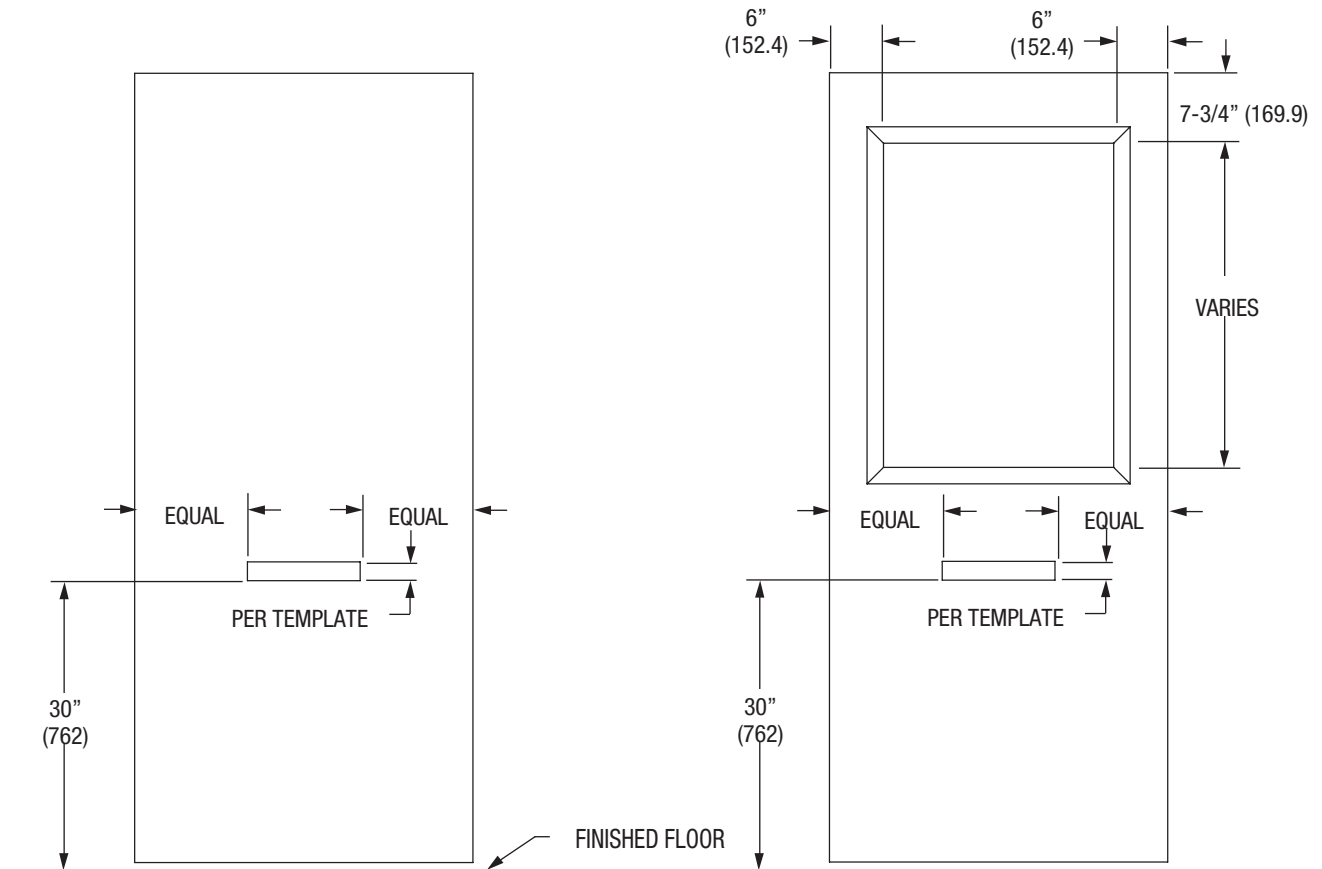


FP	F2P	1/2" (12.7) DIA.
FP1	F2P1	9/16" (14.3) DIA.

Transfer Core Type Louver Moulding



Type 1 & 2 Window Moulding



FMS
FMS = FLUSH MAIL SLOT

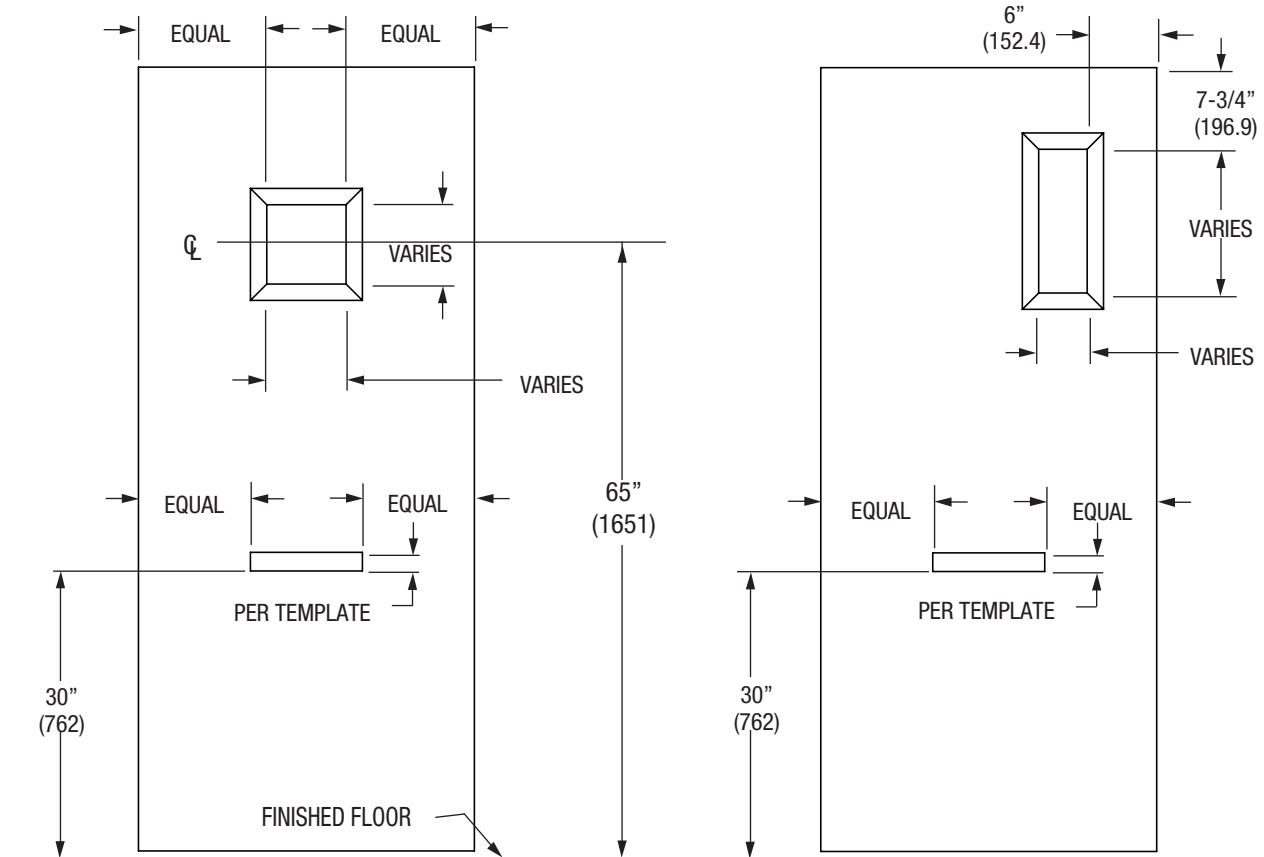
HGMS
HG = HALF GLASS STANDARDS
MS = MAIL SLOT

EXAMPLE: **HG3MS**
(3) WINDOW PANE-HALF GLASS ←
MAIL SLOT ←

May, 2010



Type 1 & 2 Window Moulding



FVMS

FV = FULL VISION STANDARDS
MS = MAIL SLOT

FNVMS

FNV = FULL NARROW VISION STANDARDS
MS = MAIL SLOT

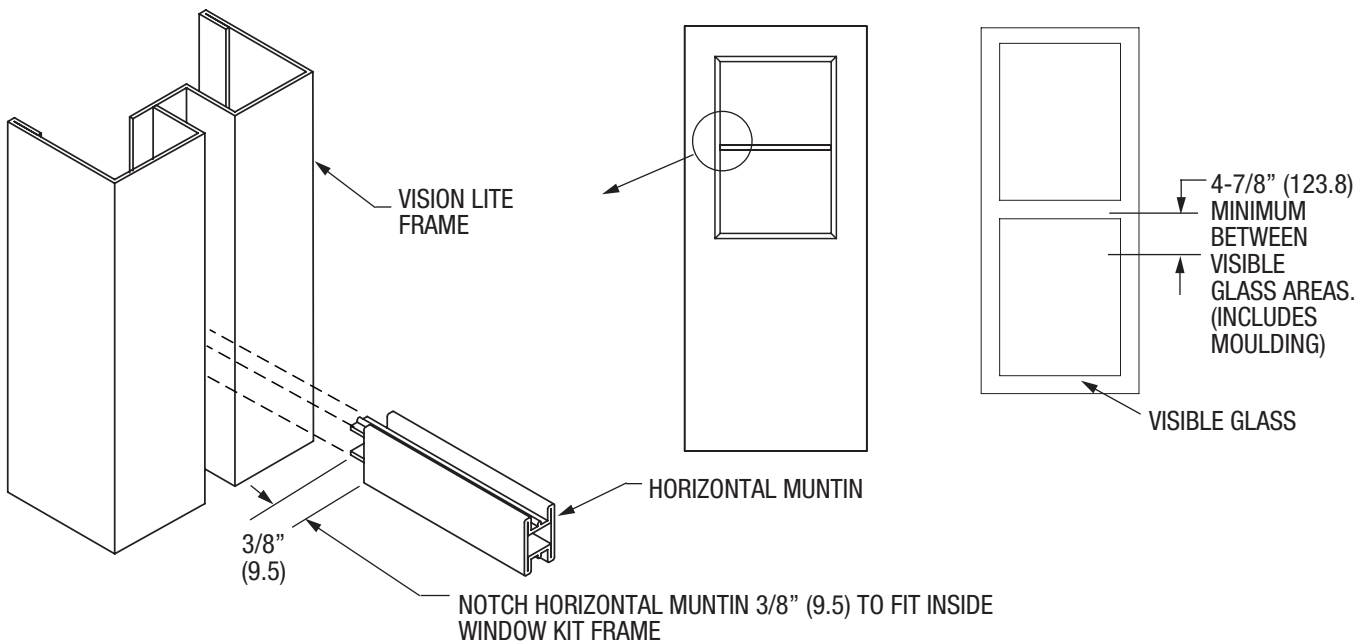
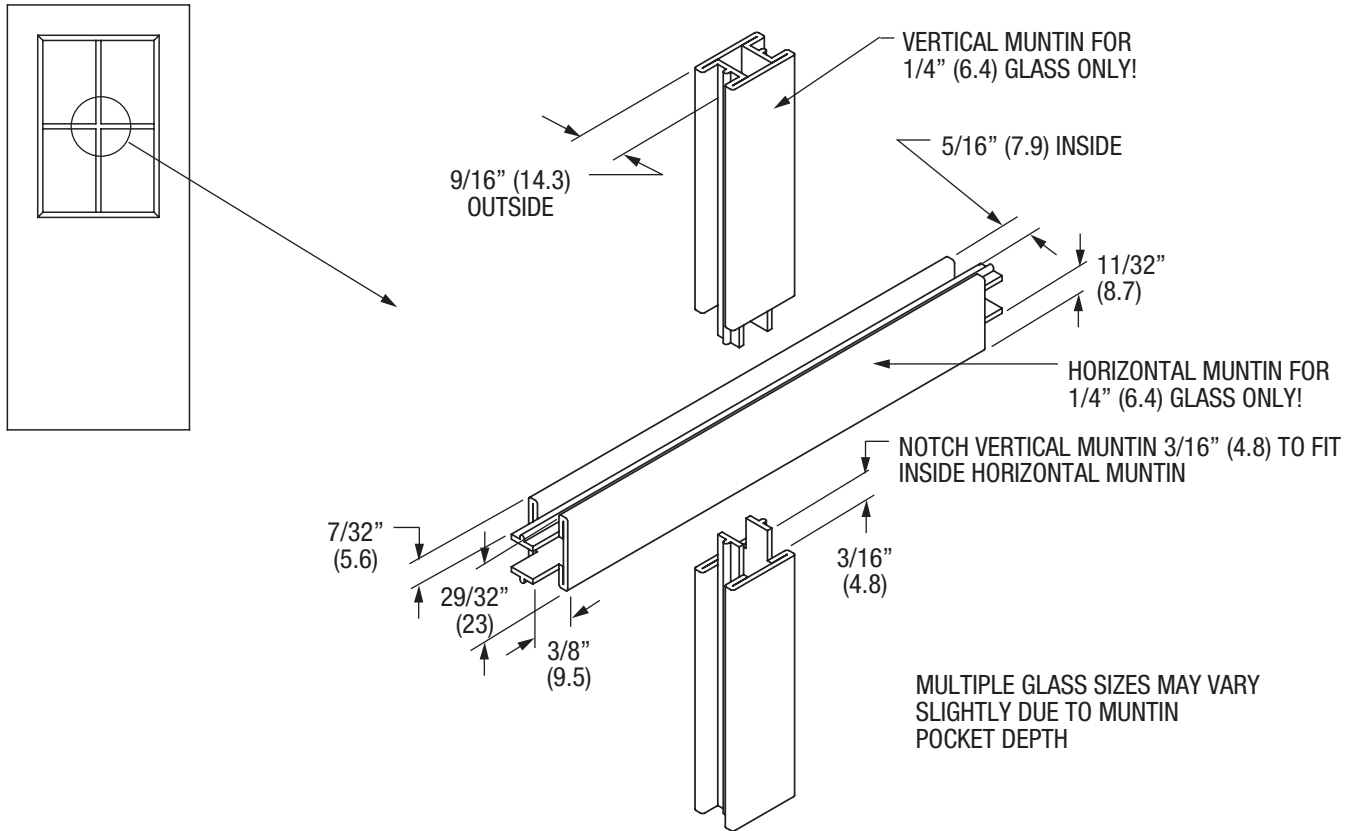
FVMS	10" (254) X 10" (254)
FV1MS	12" (304.8) X 12" (304.8)

EXAMPLE: **FNV1MS**
6" X 36" (152 X 914) NARROW VISION LITE ←
MAIL SLOT ←



**AVAILABLE FOR TYPE 1, 3, 9 AND 11 WITH 3/8" POCKET ONLY.
AVAILABLE WITH CURRISTAIN DOORS. MUNTIN BAR IS NOT STAINED.**

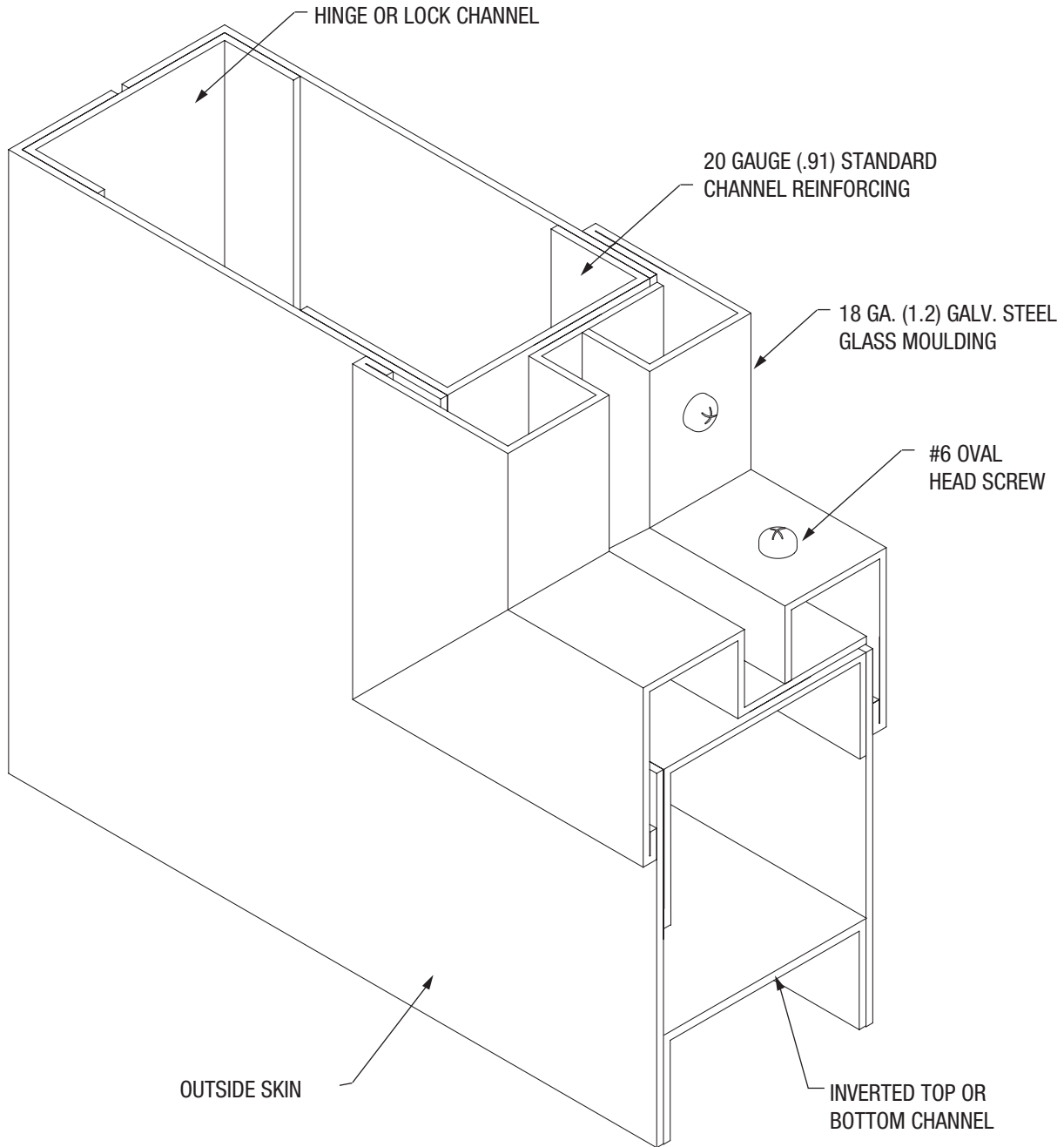
MUNTIN BAR PART NUMBER: CD002402



April, 2002

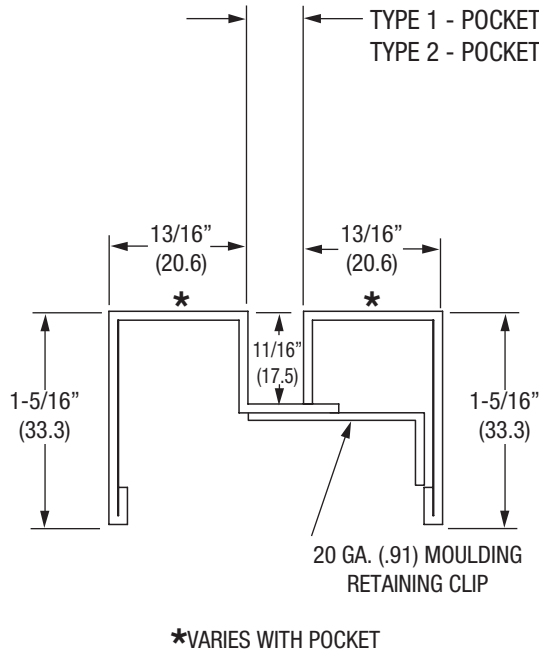


STANDARD WINDOW MOULDING TYPE 1

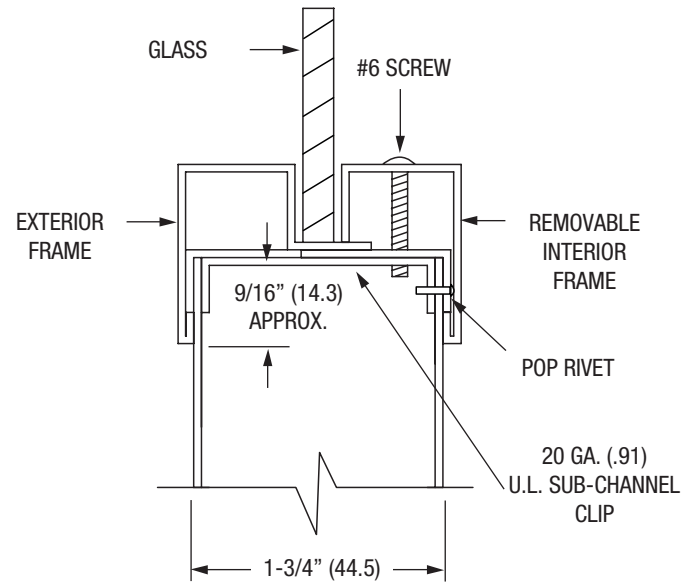


TYPES 1 & 2

SEE PAGE 155 FOR CURRIES STANDARD WINDOW KIT INFORMATION.

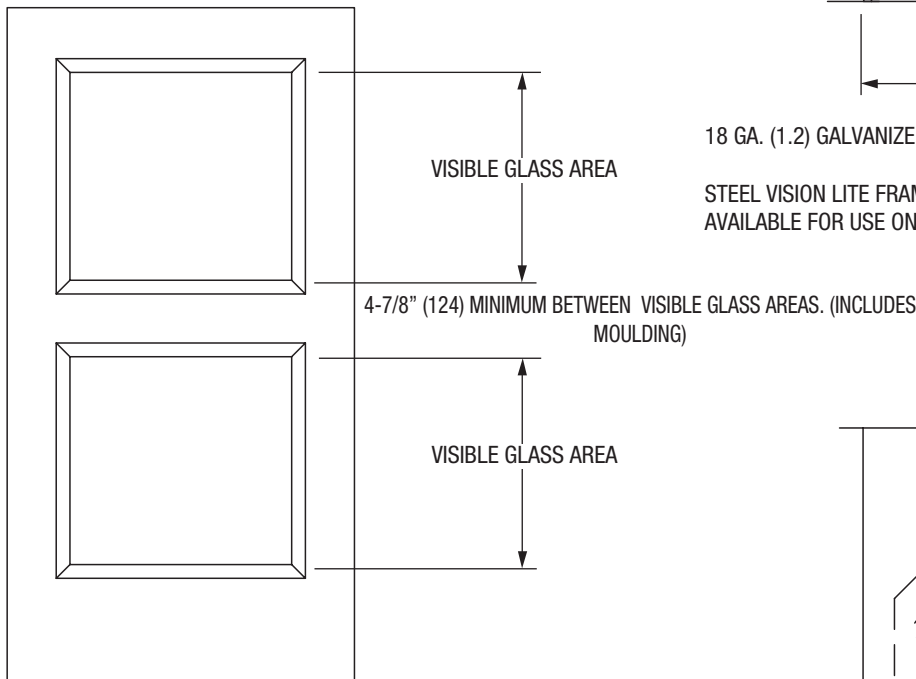


NOTE: PLEASE NOTE WHEN KITS SHOULD BE USED ON 14 GAUGE DOORS.

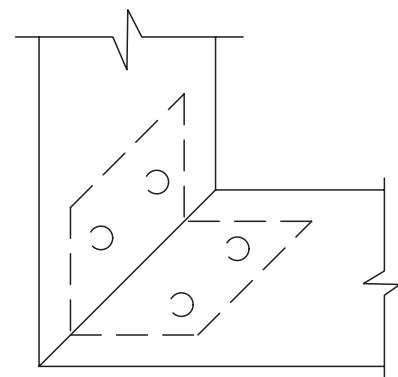


18 GA. (1.2) GALVANIZED STEEL VISION LITE FRAME

STEEL VISION LITE FRAME KITS AND STICK LENGTH PARTS ARE AVAILABLE FOR USE ON 847 SERIES DOORS.



NOTE: ON FIRE LABEL DOORS USE A 6" (152.4) MINIMUM STILE BETWEEN VISIBLE GLASS AREAS AND BETWEEN VISIBLE GLASS AND EDGES OF DOOR.



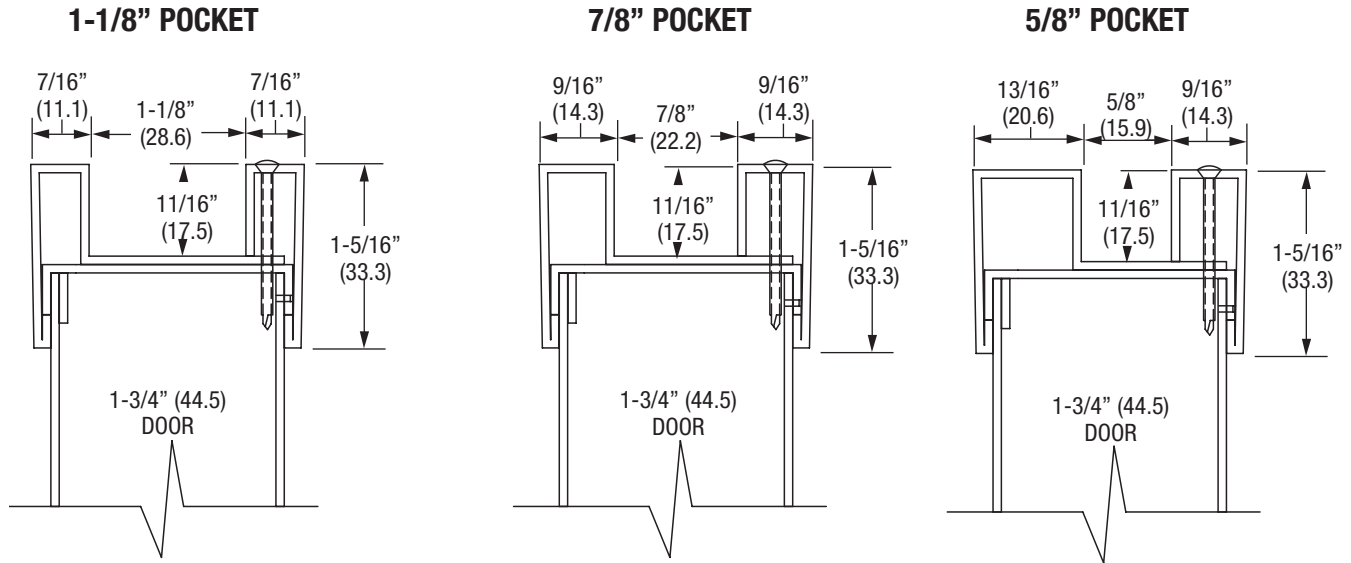
CORNER DETAIL WITH CORNER CLIP WELDED IN

June, 2017



TYPE 2 (old style kits)

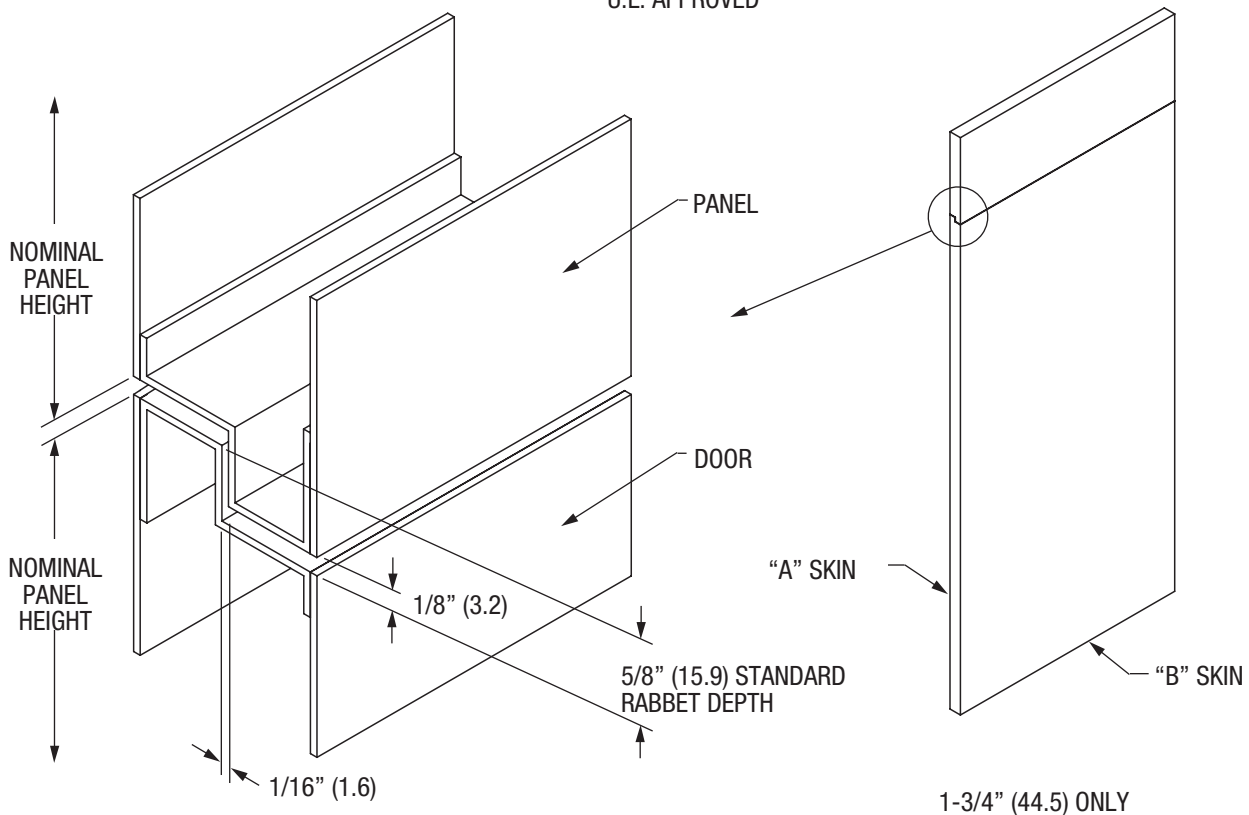
SEE PAGE 155 FOR CURRIES STANDARD WINDOW KIT INFORMATION.

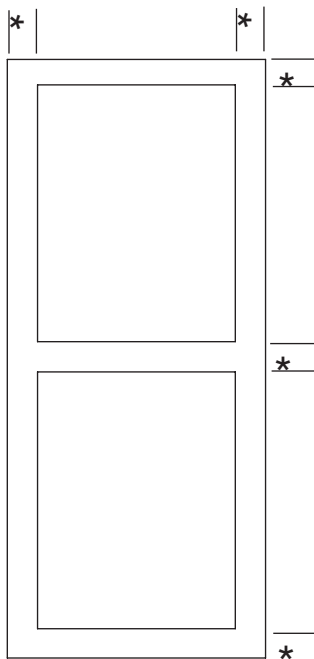
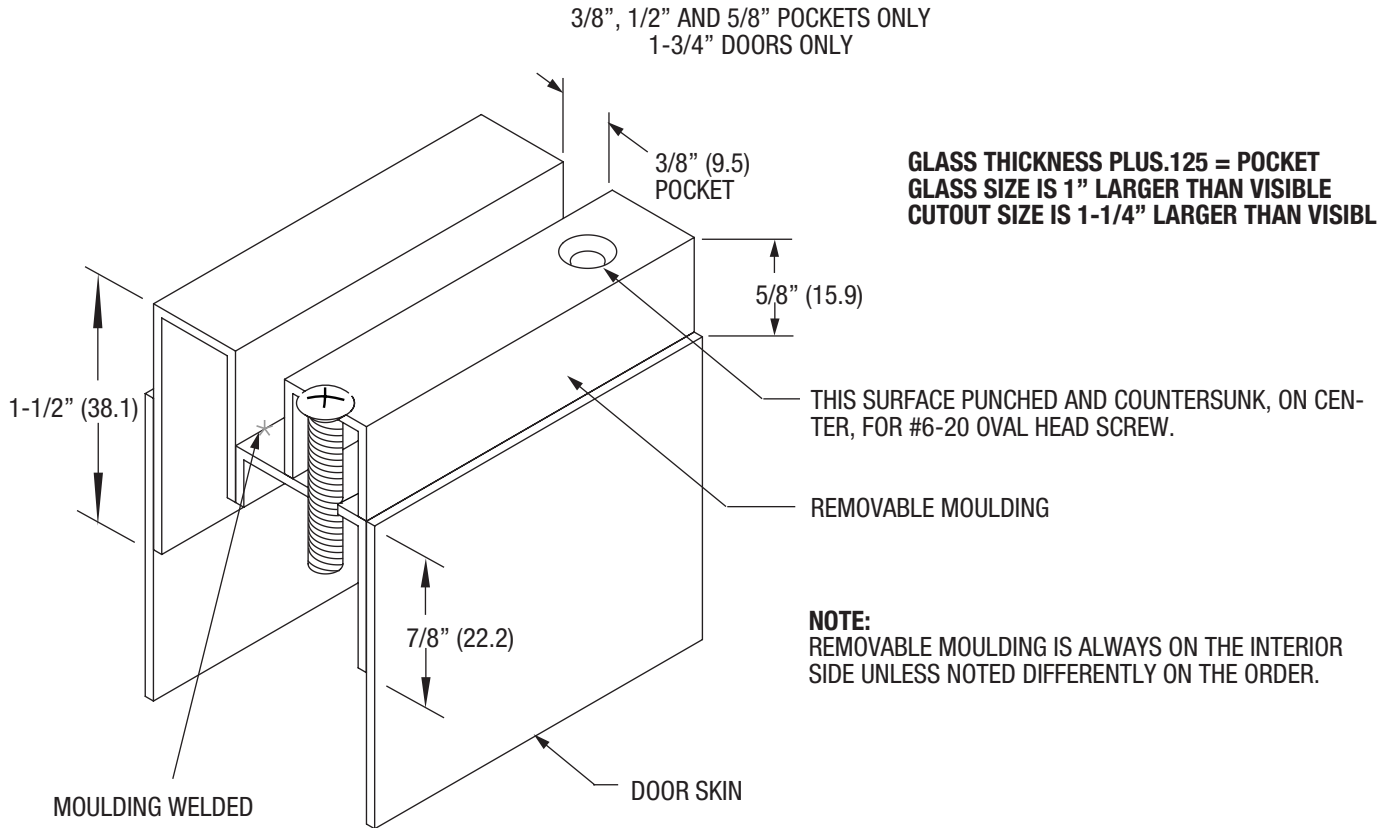


Rabbeted Door and Panel



U.L. APPROVED





* 3-1/8" (79.3) MINIMUM STILE AND RAIL AVAILABLE WITH TYPE 3 MOULDING. "NO FIRE LISTING," LIMITED HARDWARE.

August, 2013

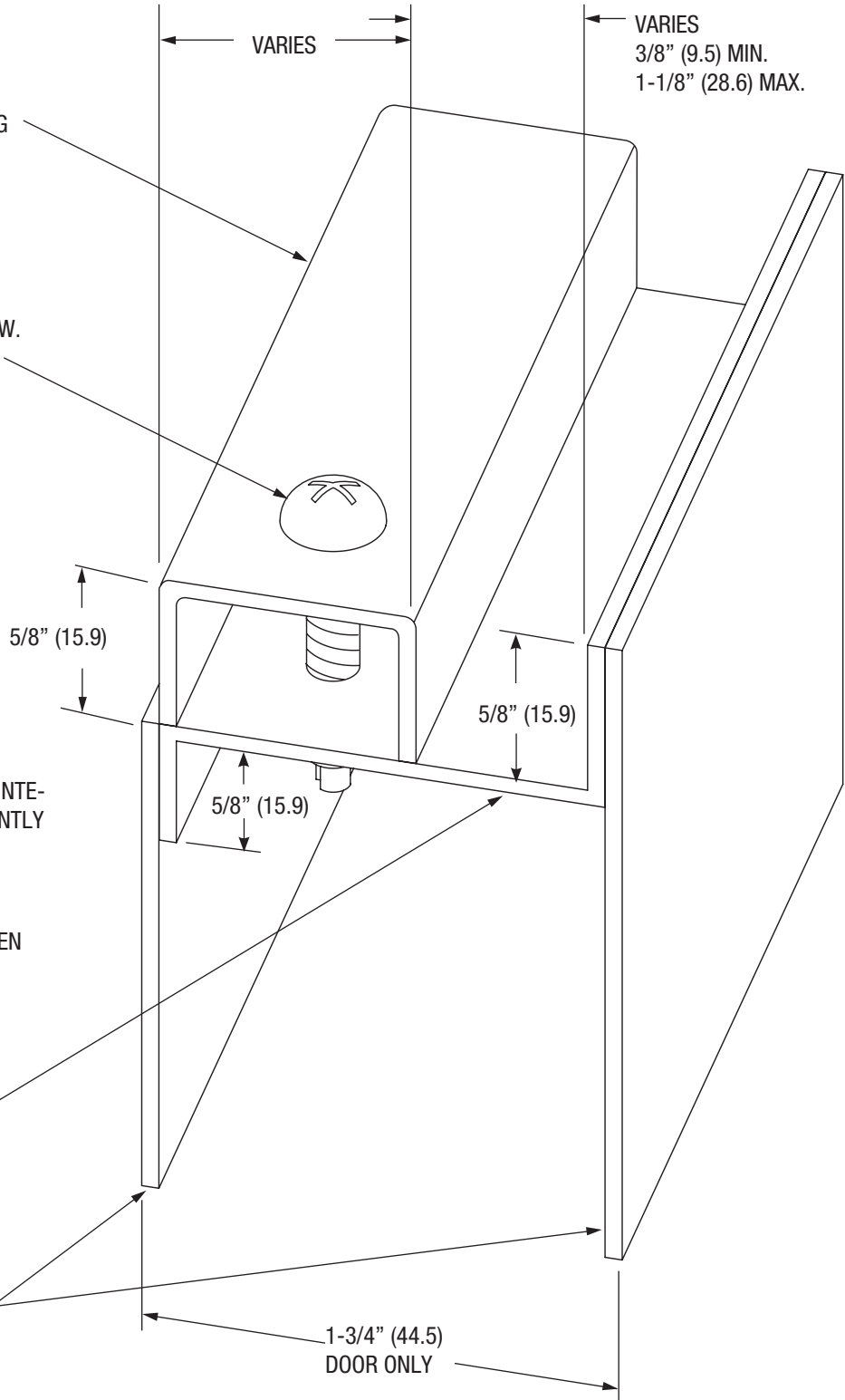


TYPE 4

**GLASS THICKNESS PLUS .125 = POCKET
GLASS SIZE IS 1" LARGER THAN VISIBLE
REMOVABLE SIDE CUTOUT SIZE IS 1-1/4"
LARGER THAN VISIBLE**

18 GA. (1.2) REMOVABLE MOULDING

THIS SURFACE PUNCHED AND
COUNTERSUNK FOR #6-20 OVAL HEAD SCREW.
6" ON CENTER FOR



NOTE: REMOVABLE MOULDING IS TO BE ON INTERIOR SIDE OF DOOR UNLESS NOTED DIFFERENTLY ON THE ORDER.

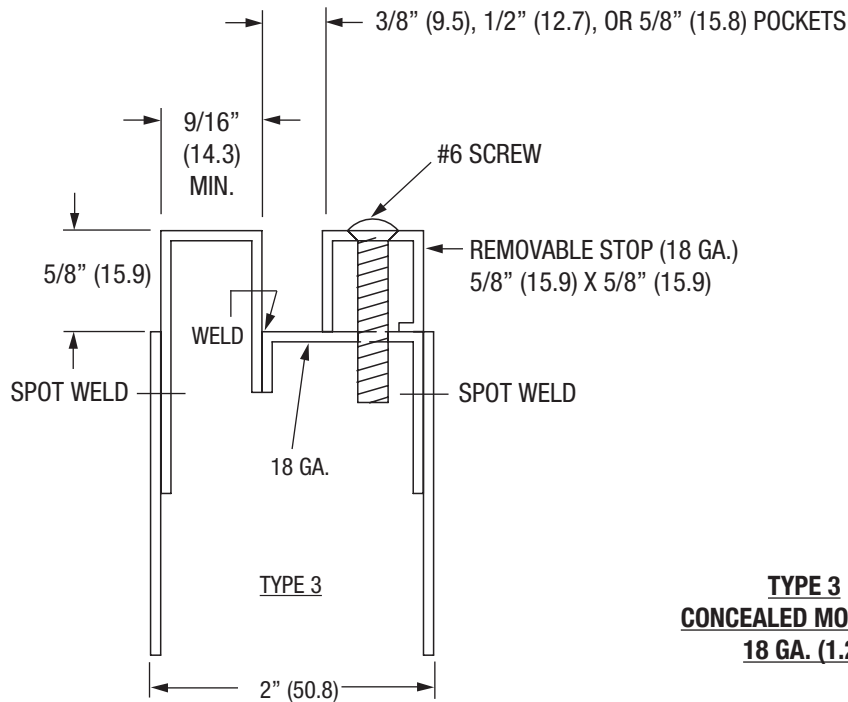
2-7/8" (73) MINIMUM RAIL TO VISIBLE BETWEEN KITS

16 GA. (1.4)
"Z" CHANNEL REINFORCEMENT

DOOR SKIN

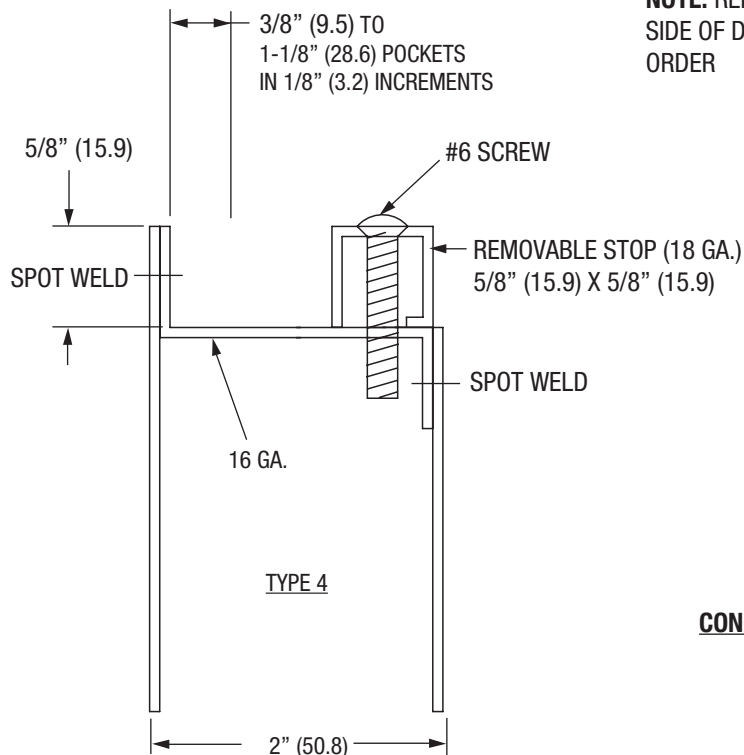


2" DOOR



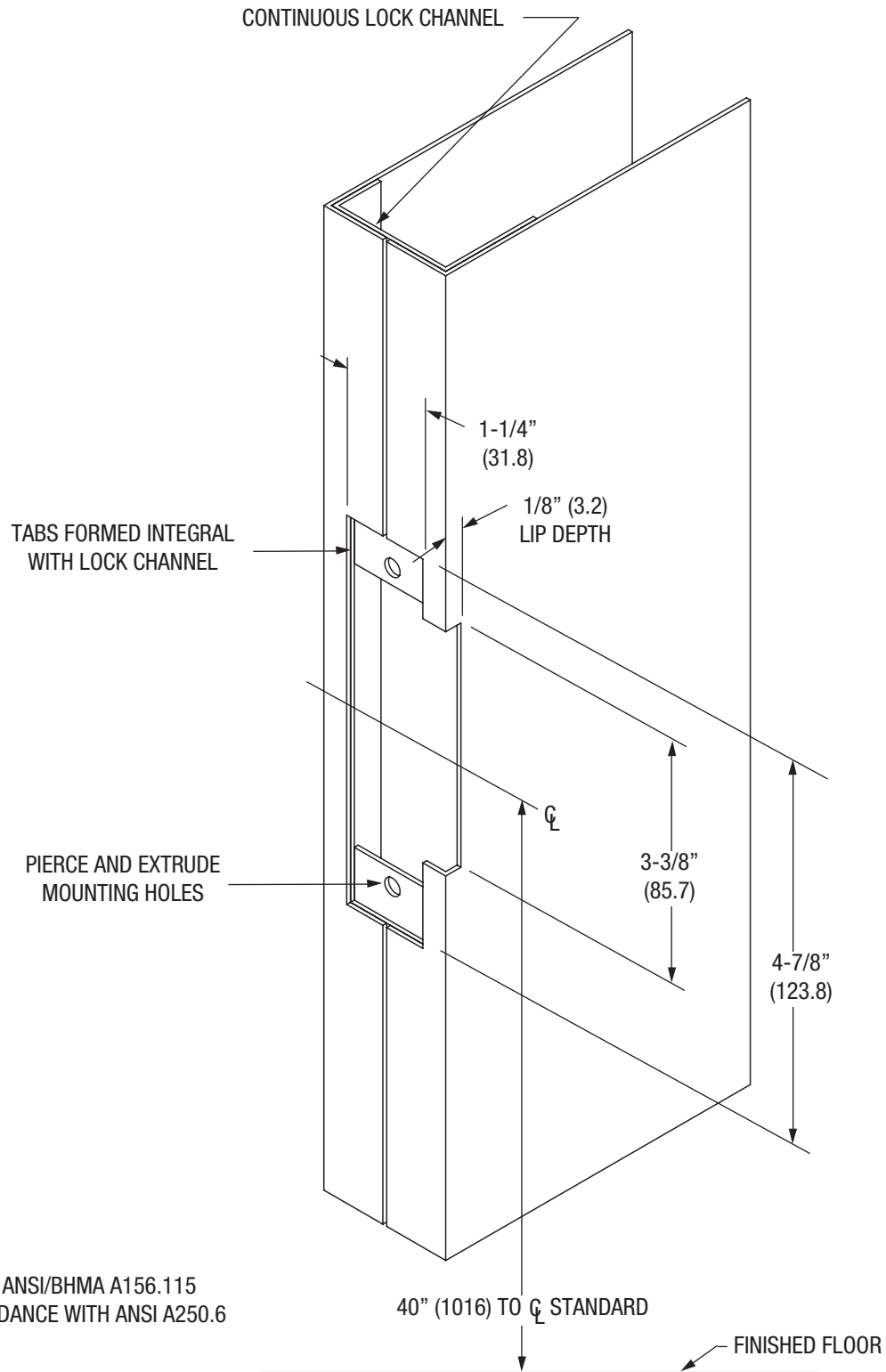
**TYPE 3
CONCEALED MOULDING
18 GA. (1.2)**

NOTE: REMOVABLE MOULDING IS TO BE ON INTERIOR SIDE OF DOOR UNLESS NOTED DIFFERENTLY ON THE ORDER



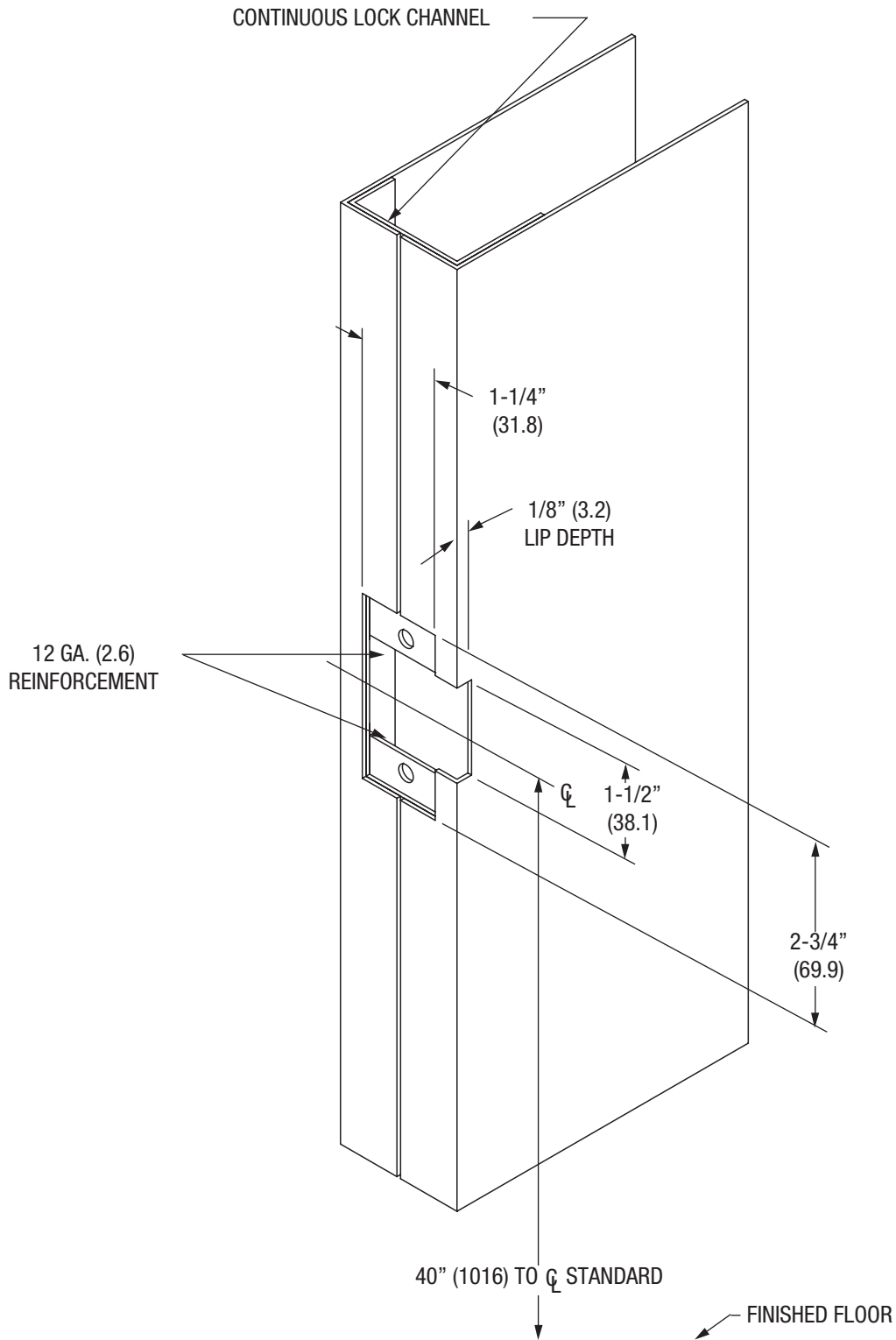
**TYPE 4
CONCEALED MOULDING
WIDE POCKET
18 GA. (1.2)**

April, 2011



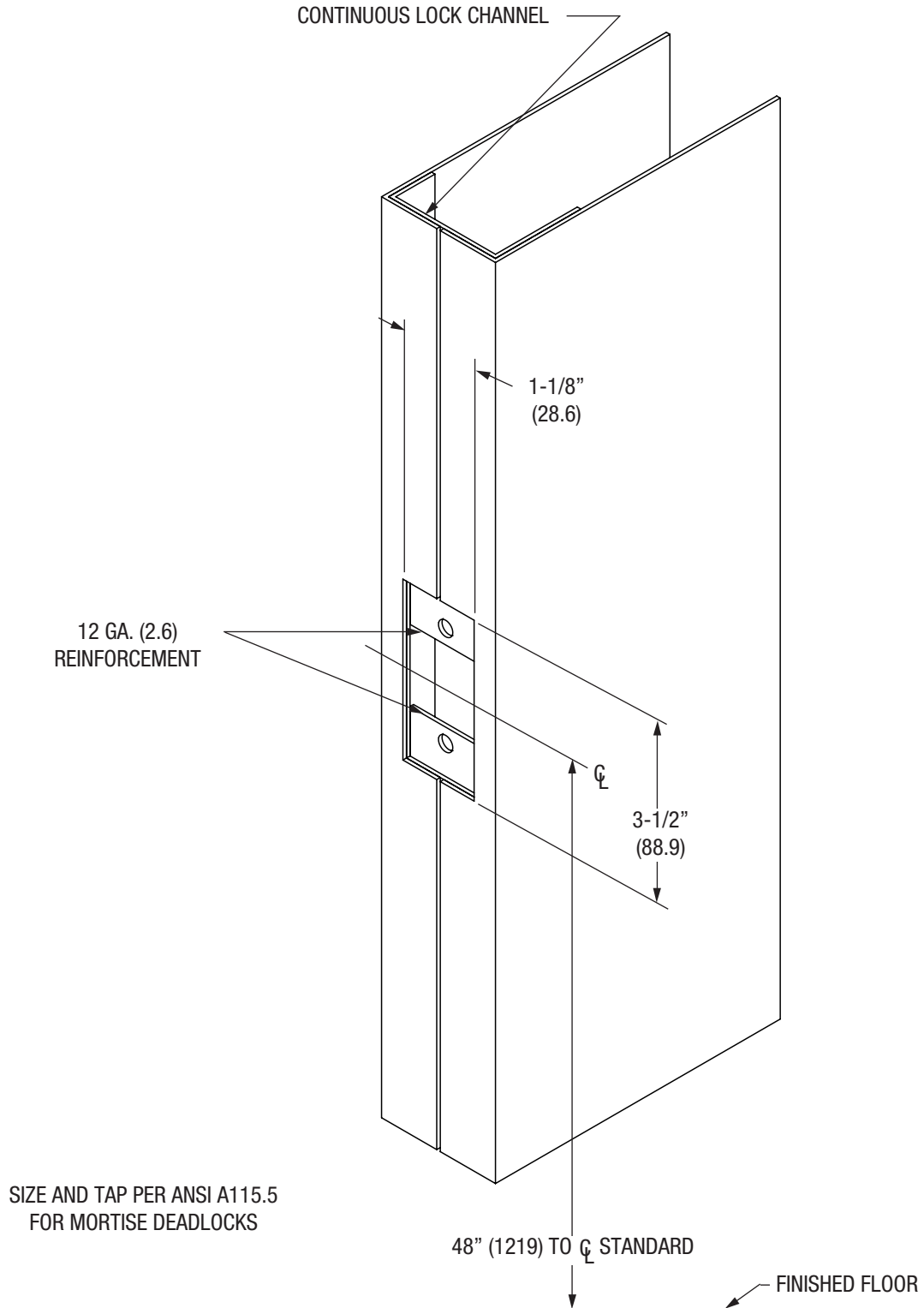
NOTES

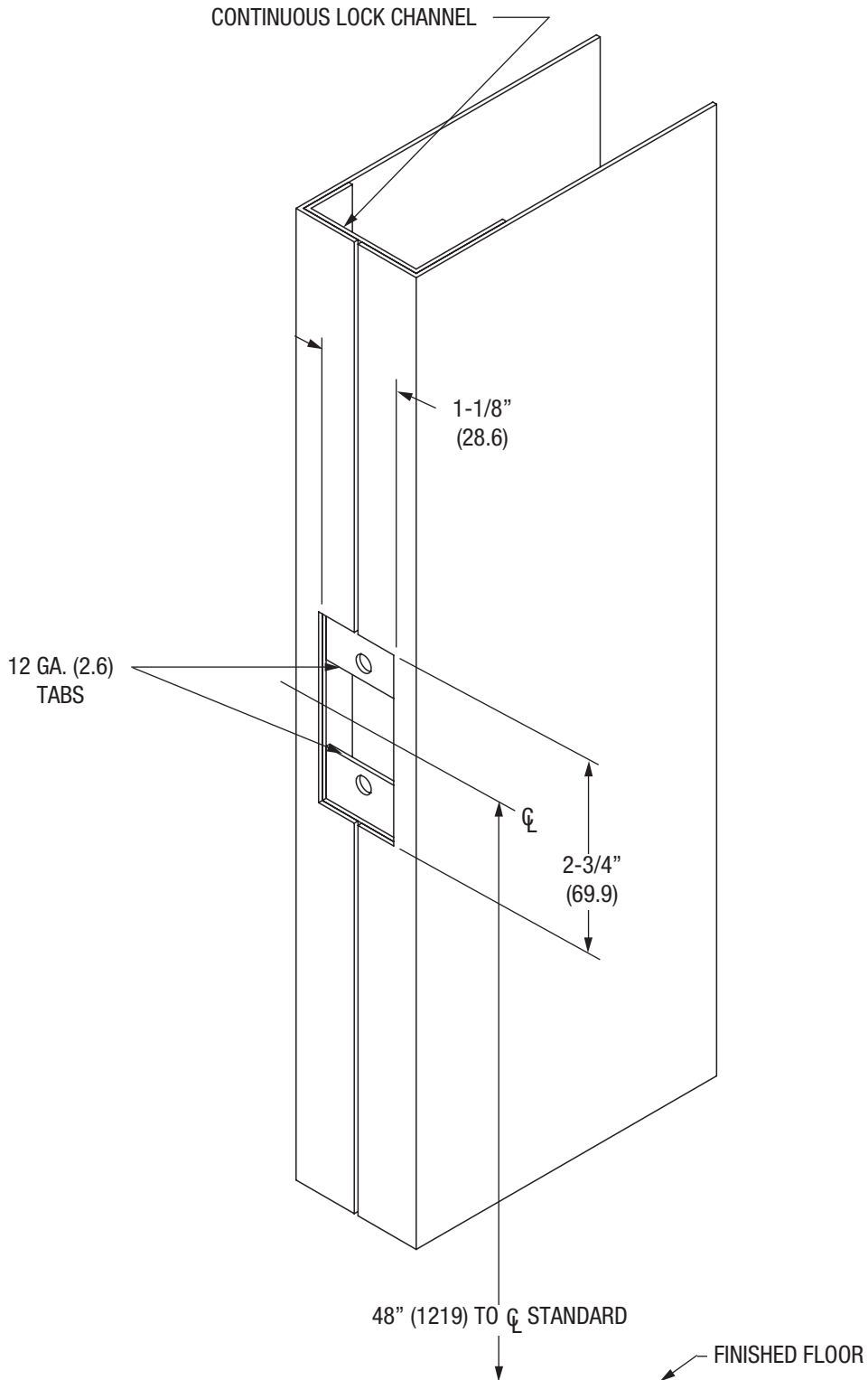
1. MORTISE AND TAP PER ANSI/BHMA A156.115
2. REINFORCED IN ACCORDANCE WITH ANSI A250.6



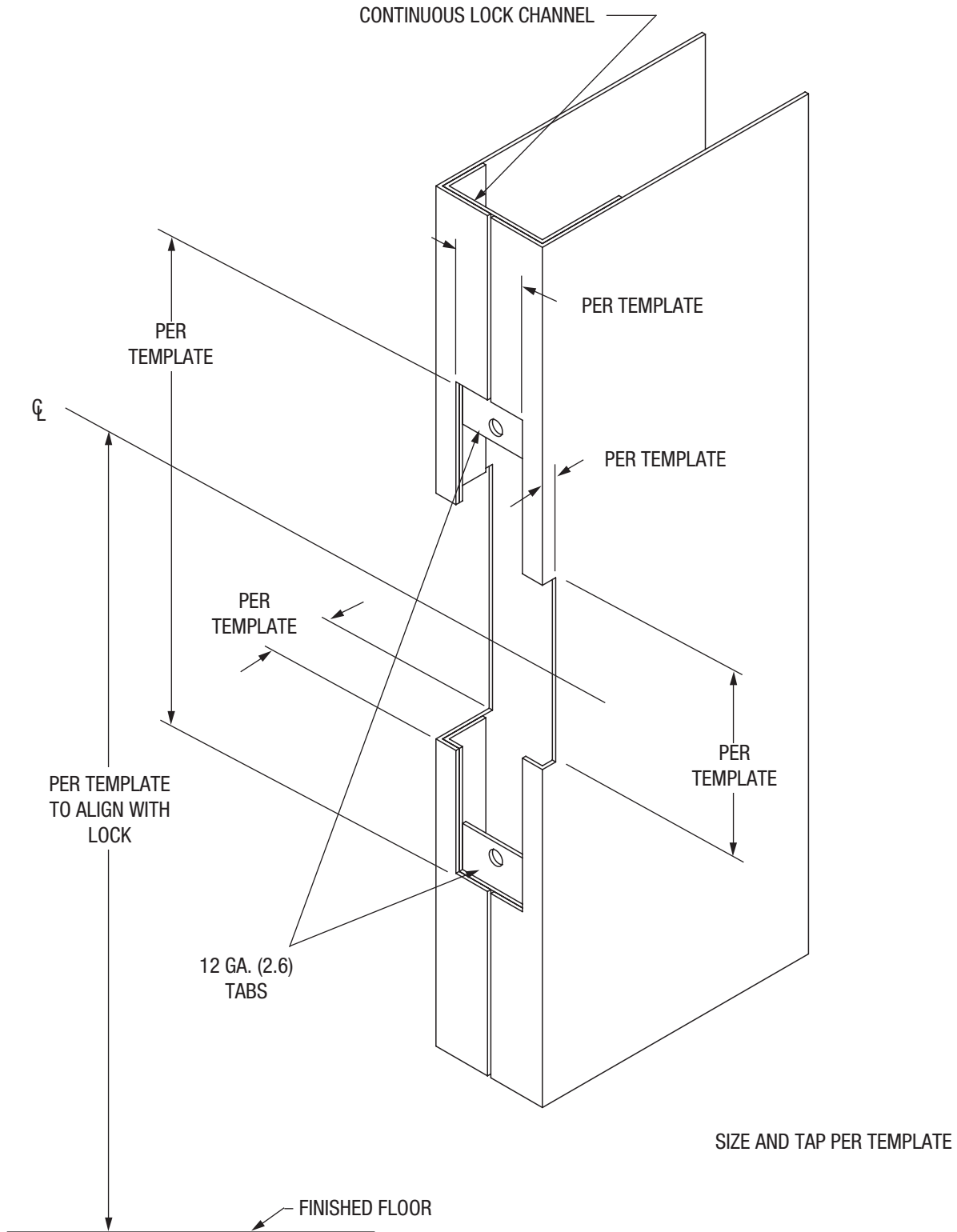
82
E3 ANSI Deadlock Strike Preparation in Inactive Leaf
Door Technical Data

April, 2002





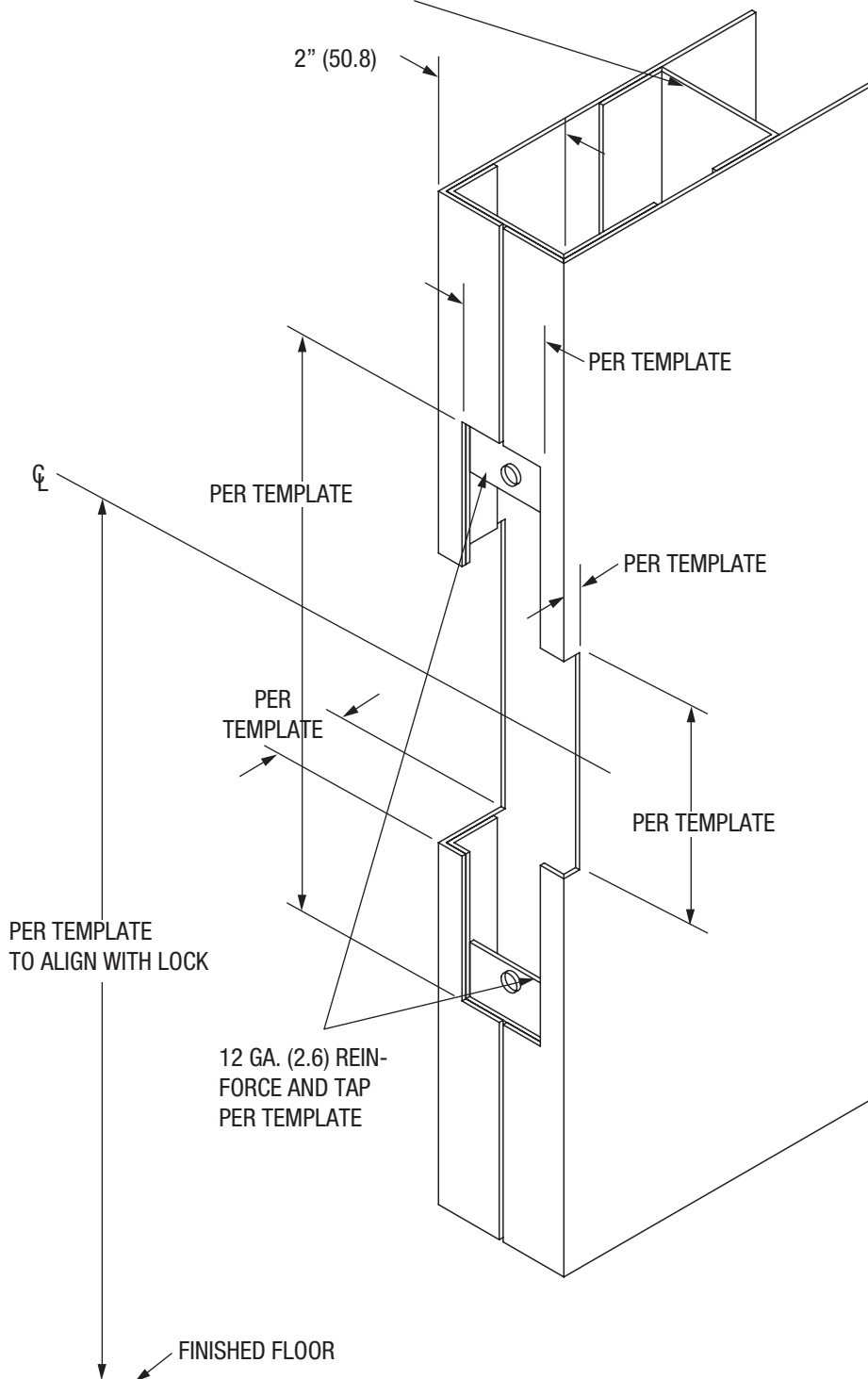
April, 2002





2" DOOR

ADDITIONAL REINFORCEMENT INSTALLED IF LIP DEPTH IS LONGER THAN LOCK CHANNEL LEG.

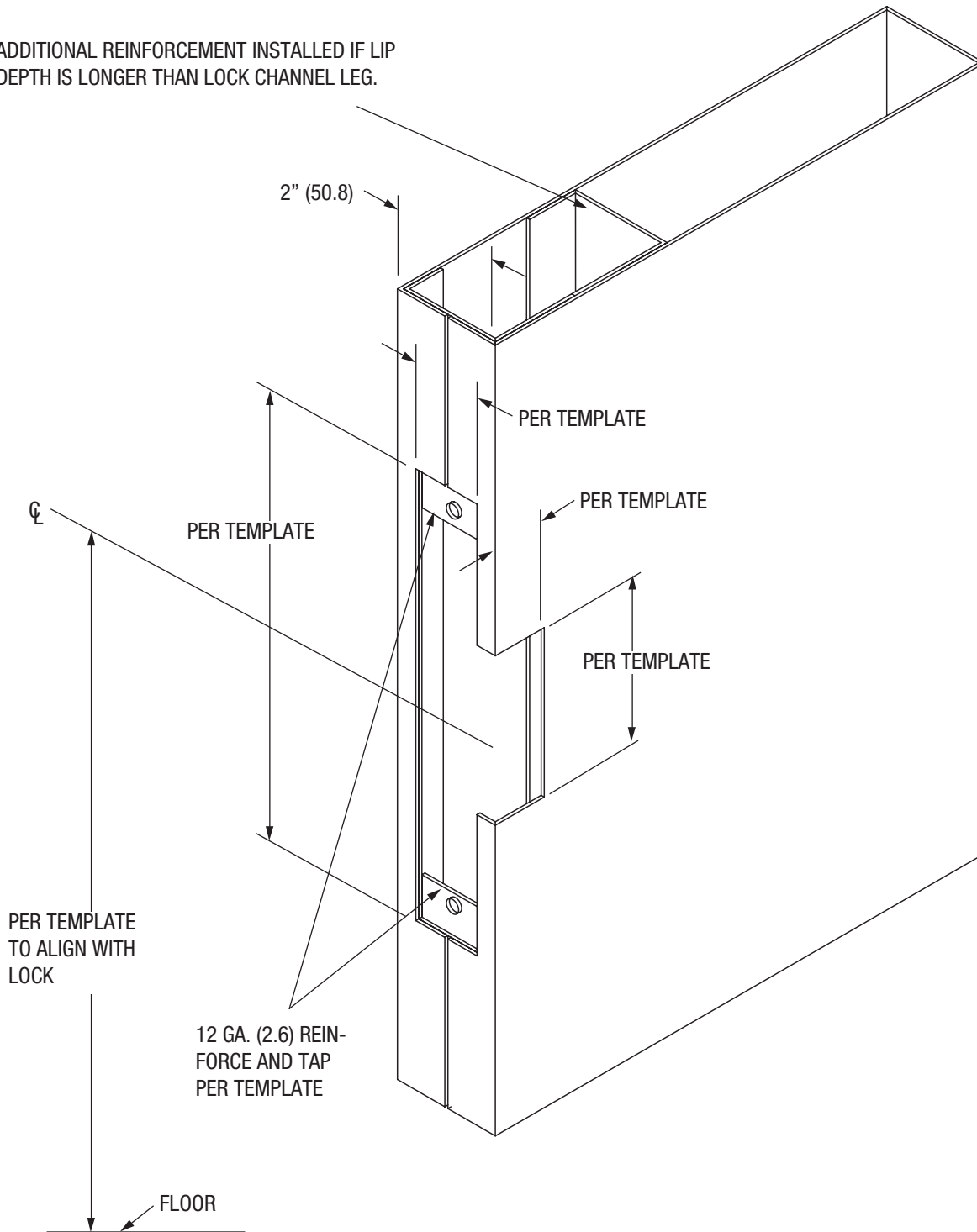


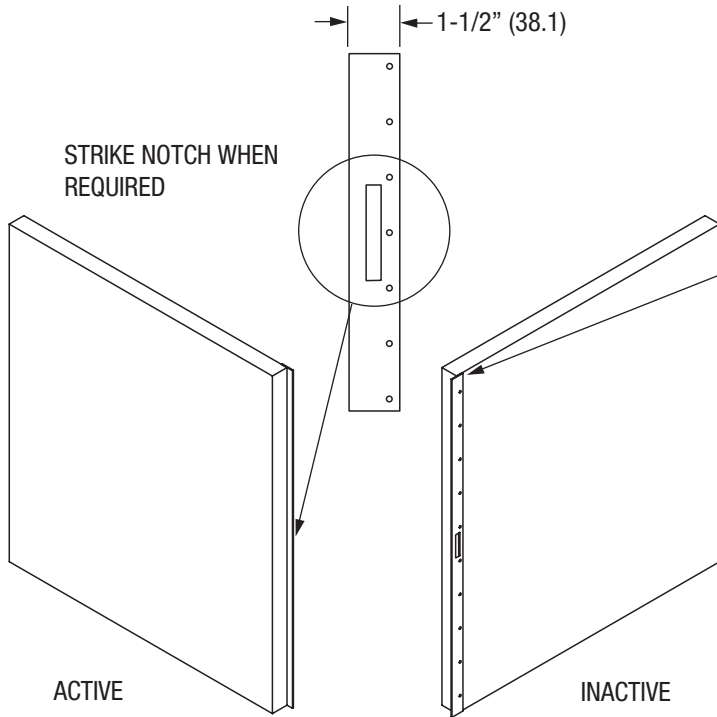
April, 2002



2" DOOR

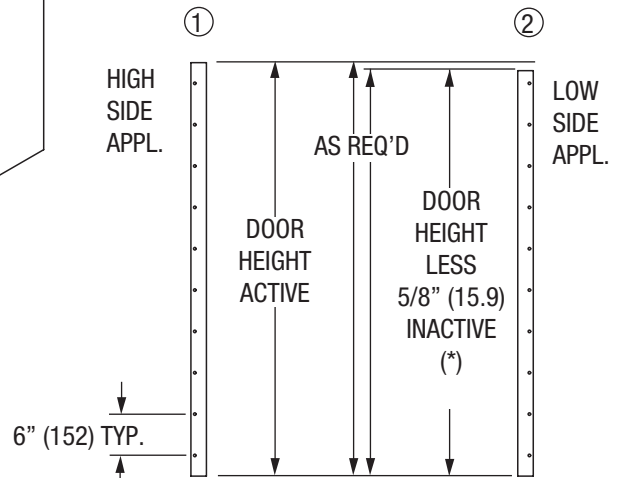
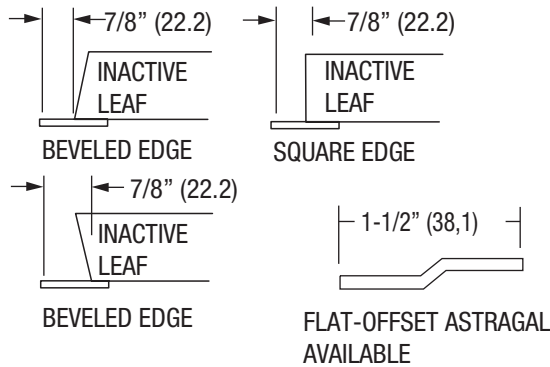
ADDITIONAL REINFORCEMENT INSTALLED IF LIP DEPTH IS LONGER THAN LOCK CHANNEL LEG.





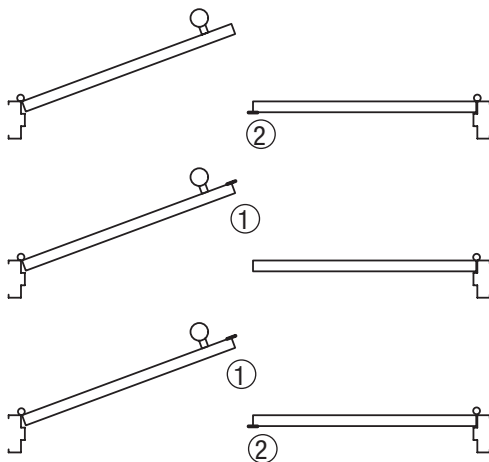
GUAGE: 12
STEEL TYPE: CR OR GALVANNEAL

CURRIES STANDARD PRACTICE IS TO SUPPLY ASTRAGAL 5/8" (15.9) SHORT OF DOOR HEIGHT TO CLEAR FRAME STOP AT HEAD ON INACTIVE DOOR ONLY!



(*) SPECIAL STOP HEIGHTS CAN VARY LENGTHS

STANDARD SCREW PLACEMENT USING #6 OVAL HEAD SCREWS (ALSO AVAILABLE WELDED) "MIN. REQ'D FOR U.L. LISTING"



SINGLE ASTRAGAL ON LOW SIDE OF INACTIVE LEAF STANDARD.

SINGLE ASTRAGAL ON HIGH SIDE OF ACTIVE LEAF. E1 STRIKE ON ACTIVE LEAF REQUIRES NOTCH ON ASTRAGAL.

DOUBLE ASTRAGAL ON HIGH SIDE OF ACTIVE LEAF AND LOW SIDE OF INACTIVE LEAF.

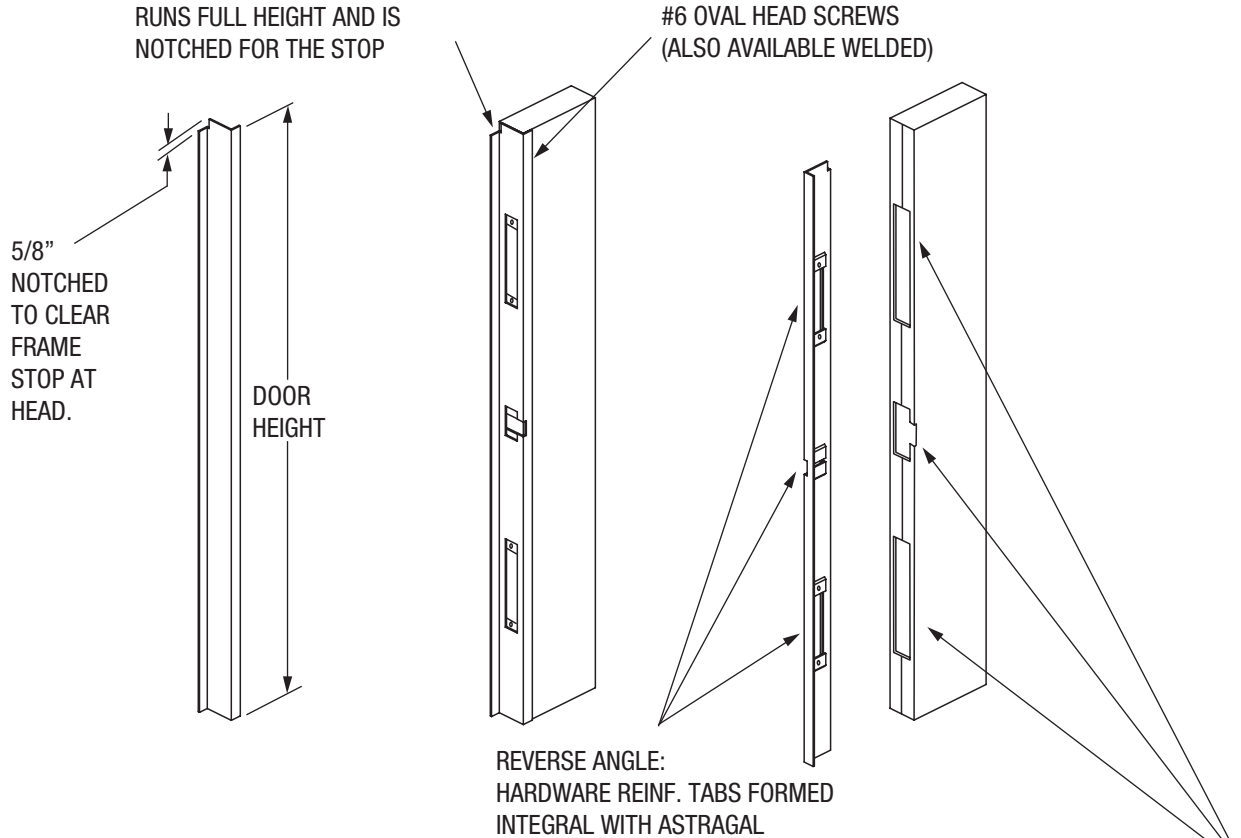
"Z" Astragal Locations and Handing

Door Technical Data

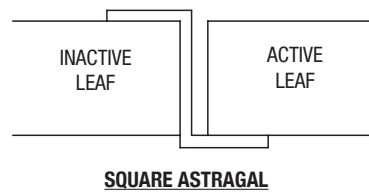
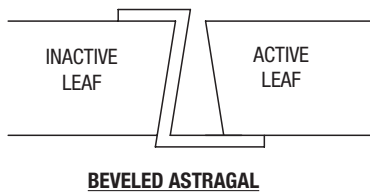
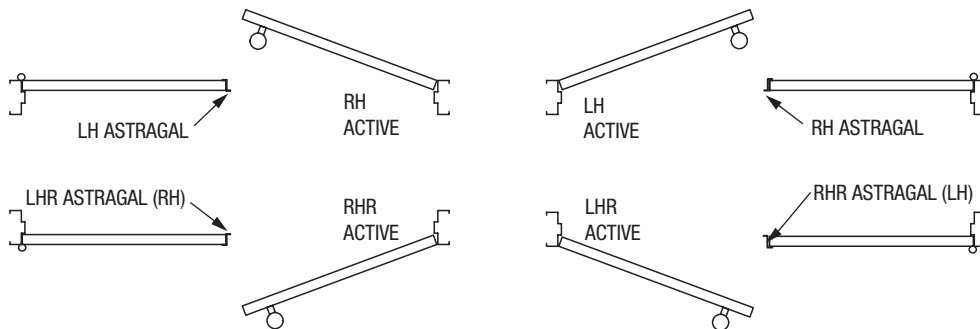
October, 2002

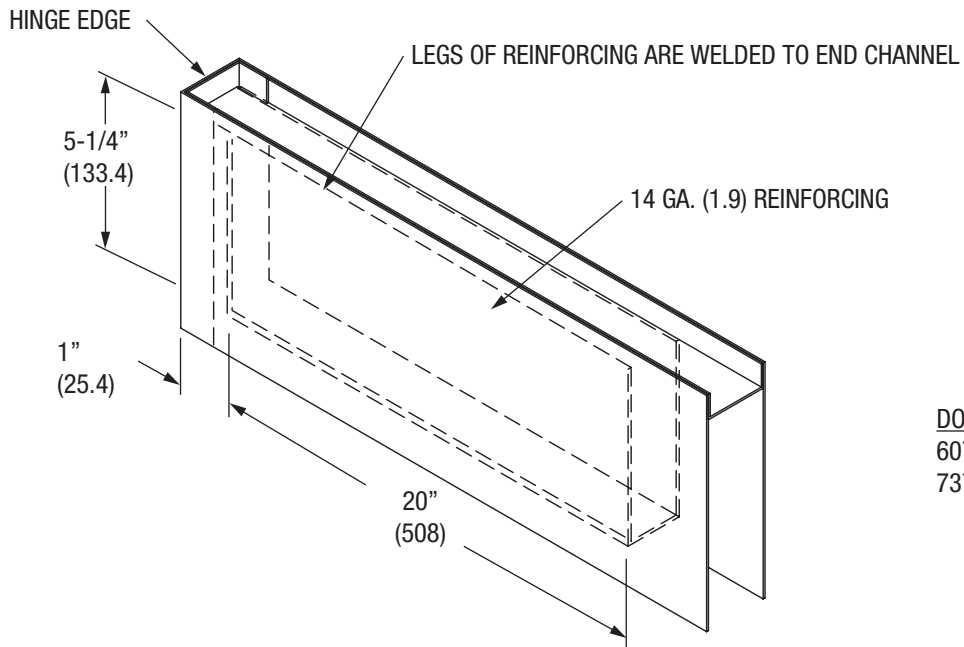


GAUGE: 14
STEEL TYPE: GALVANEAL



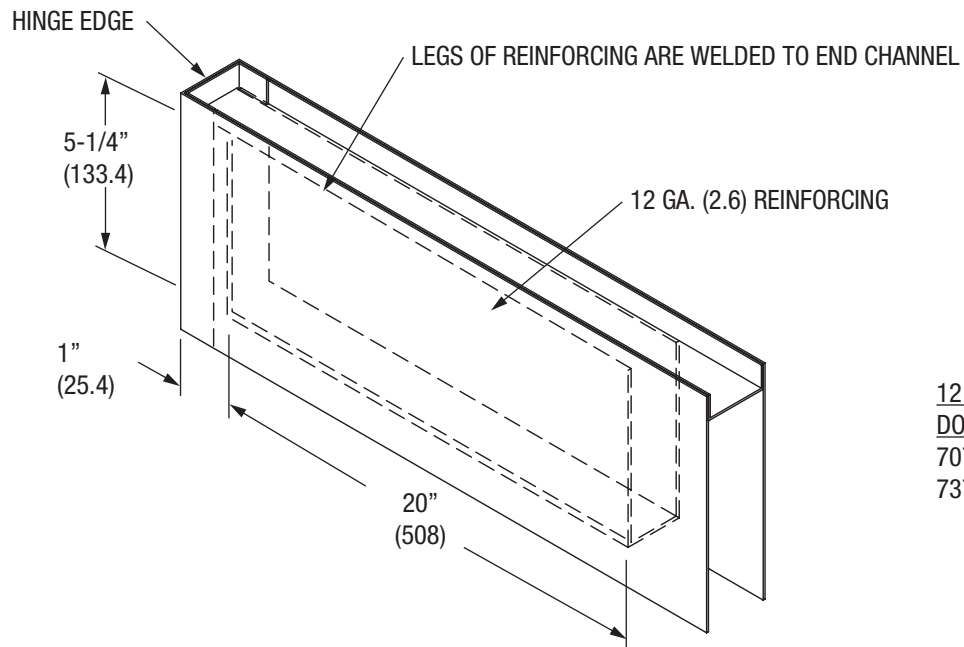
DOOR EDGE PREPARATION TO RECEIVE ASTRAGAL WITH E1/H1 PREP.





DOOR SERIES
607, 707, 727
737, 747

C2 Optional Closer Reinforcement

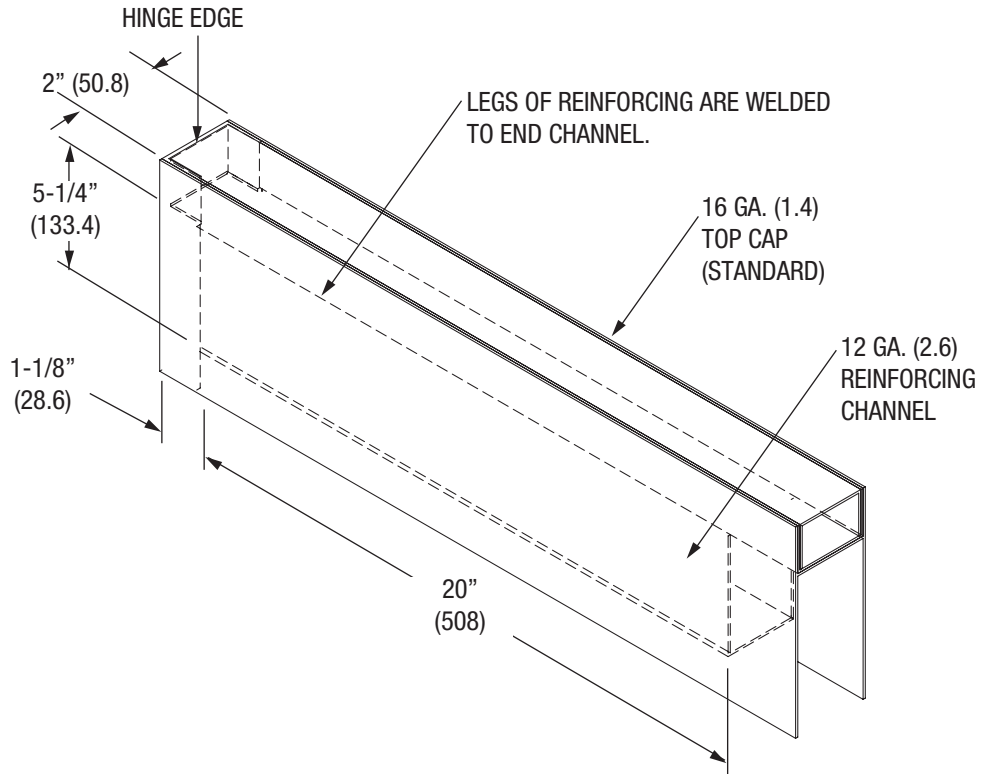


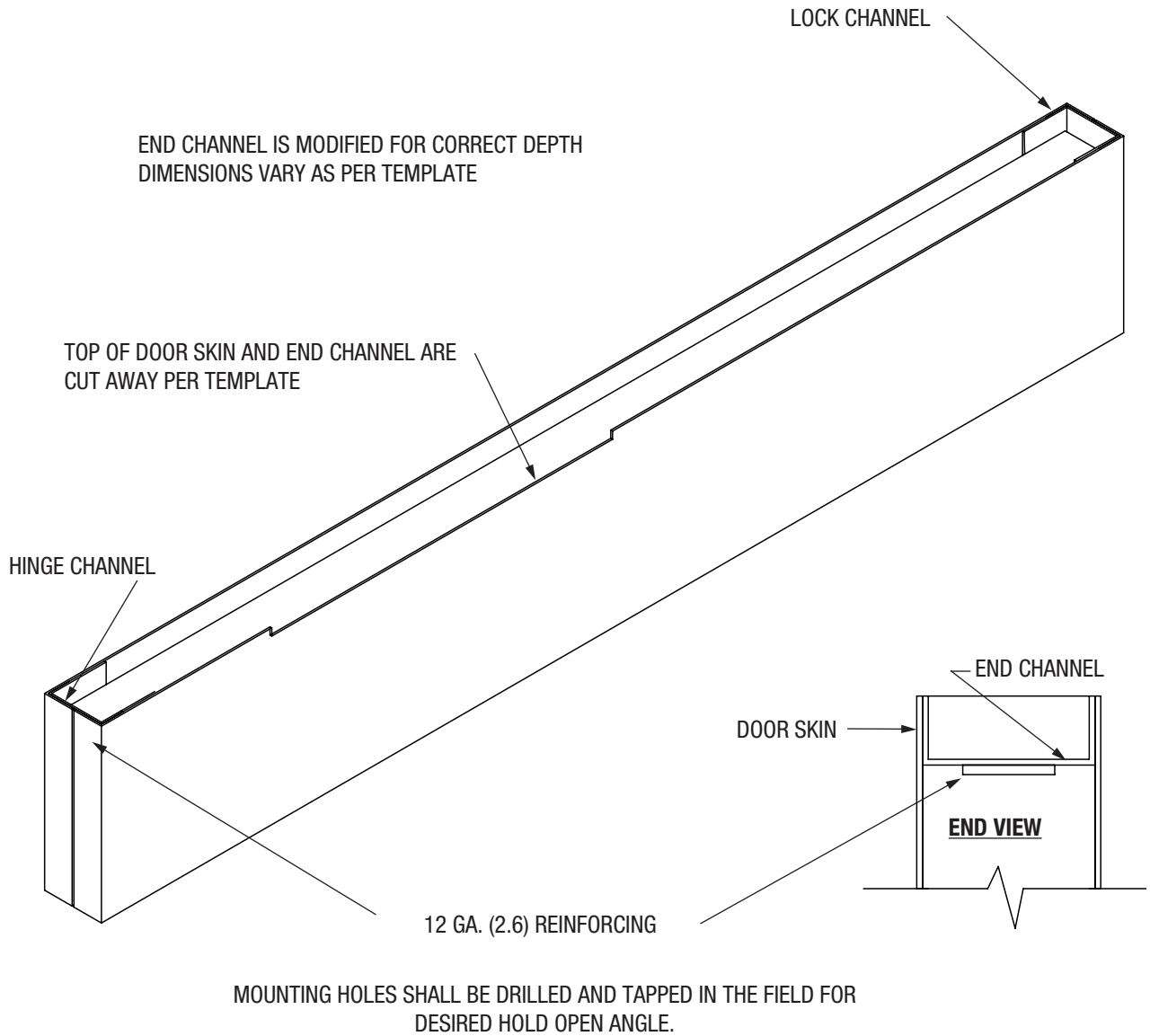
12 GAUGE OPTION
DOOR SERIES
707, 727
737, 747

857 Standard Surface Closer Reinforcement

Door Technical Data

October, 2002

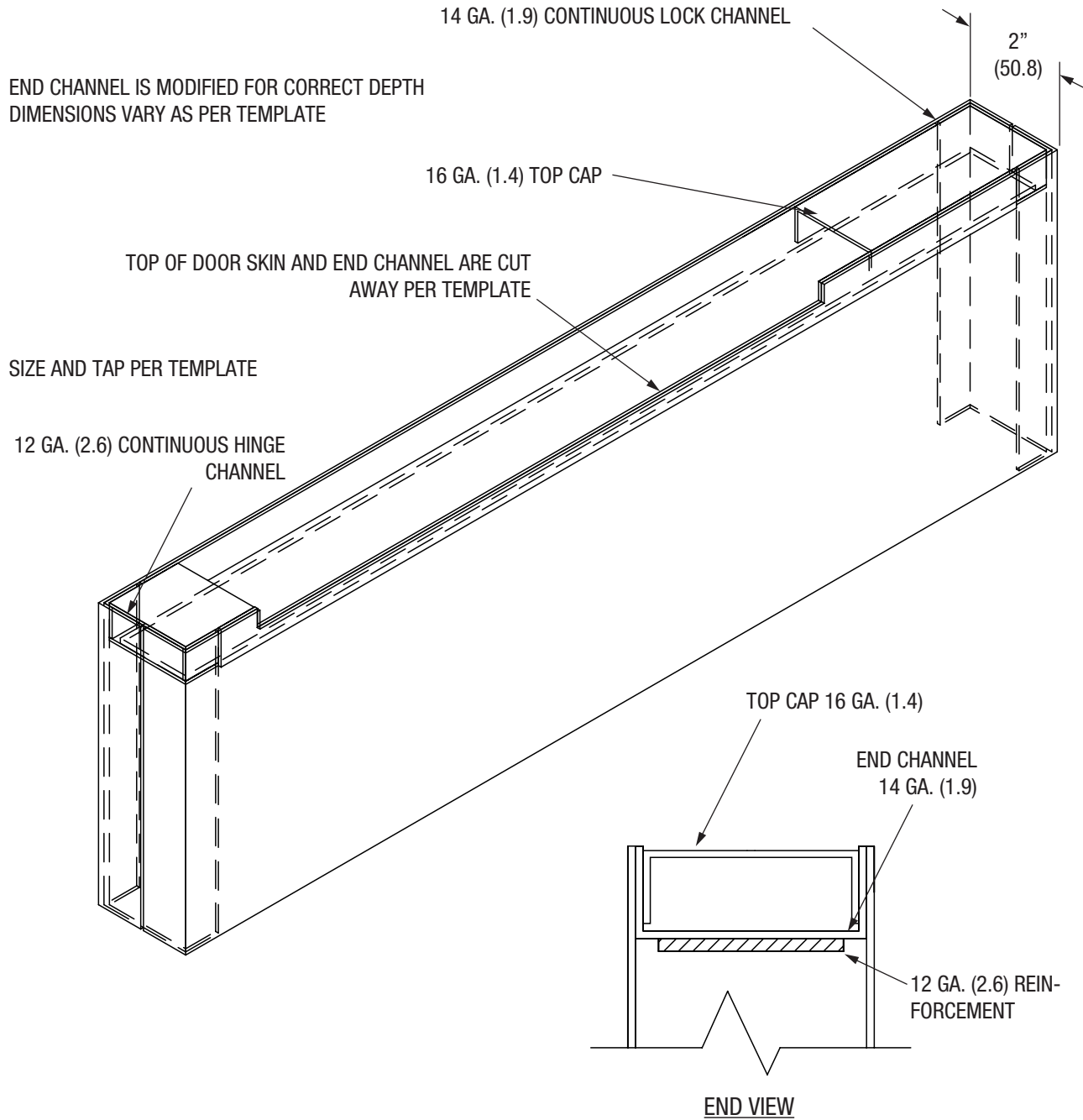


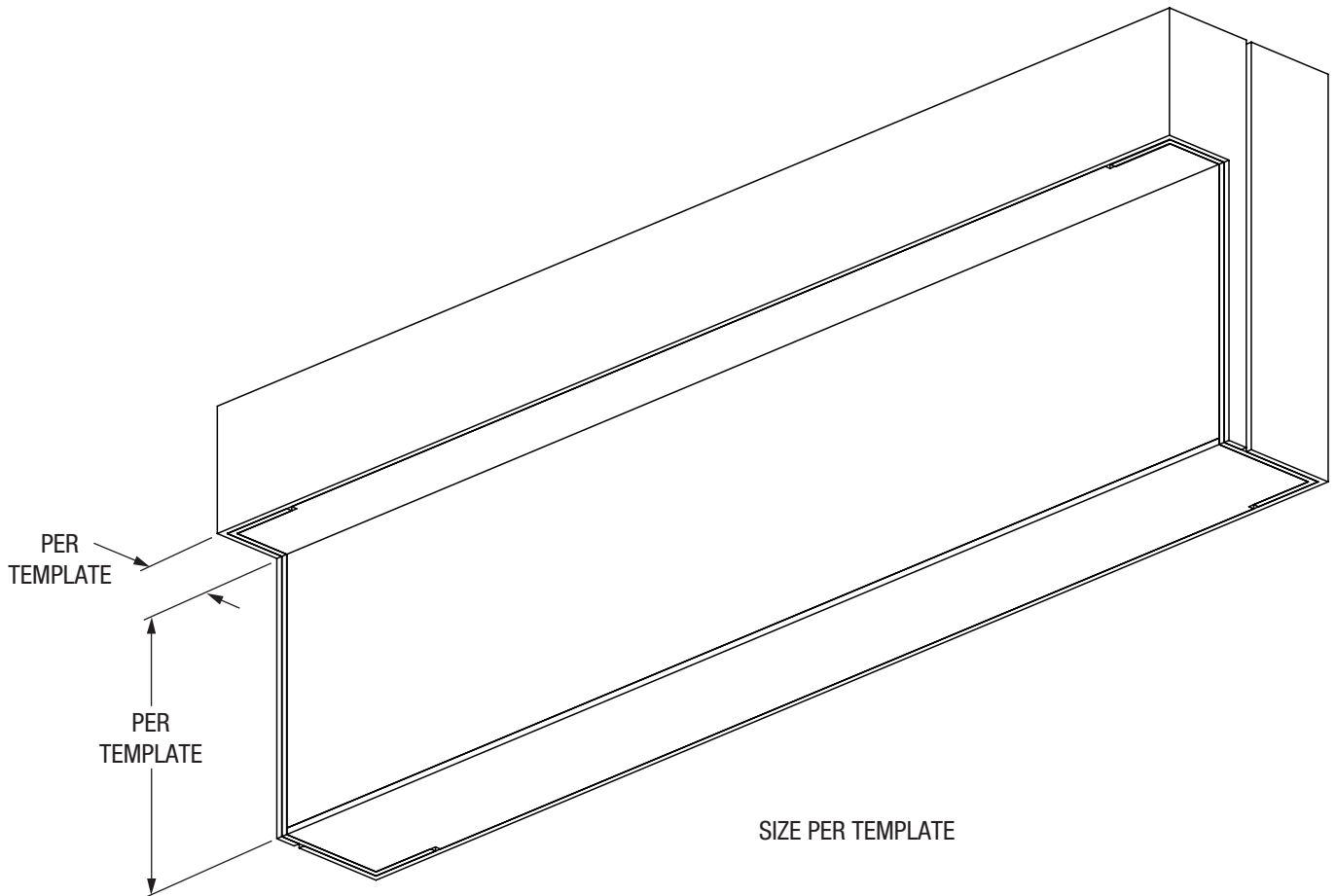
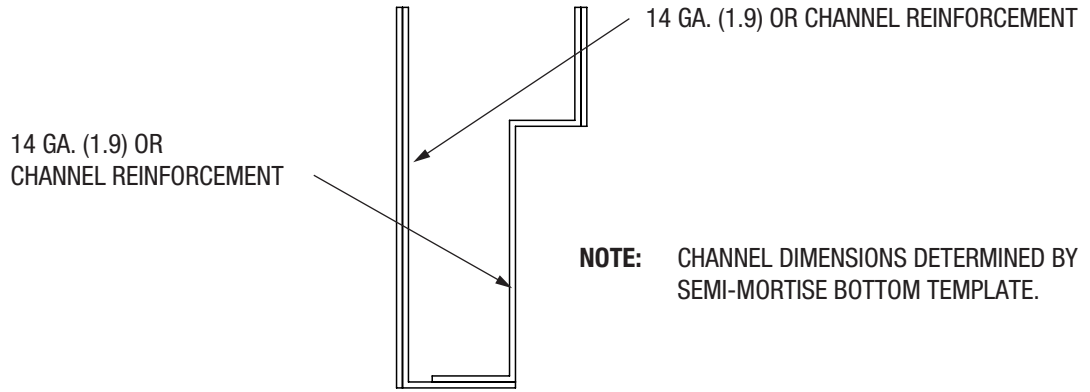


April, 2002



2" DOOR

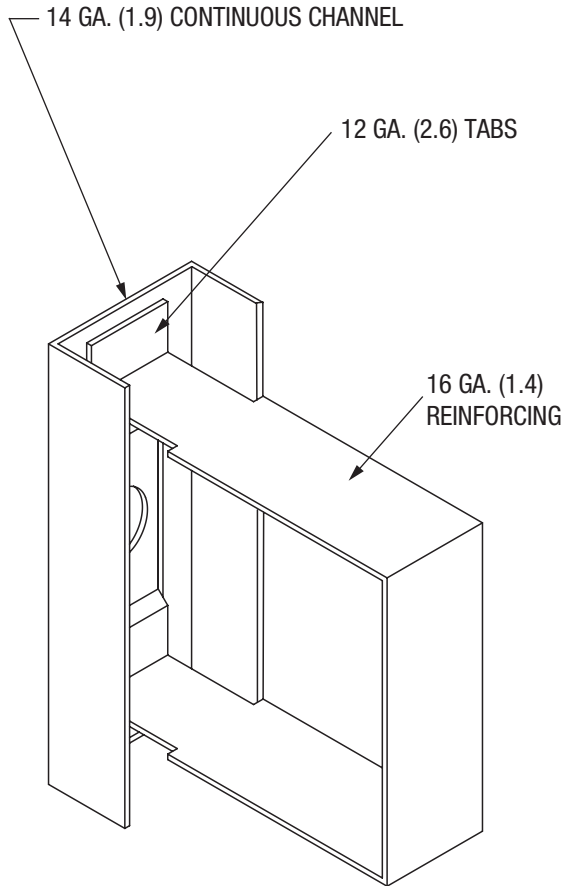




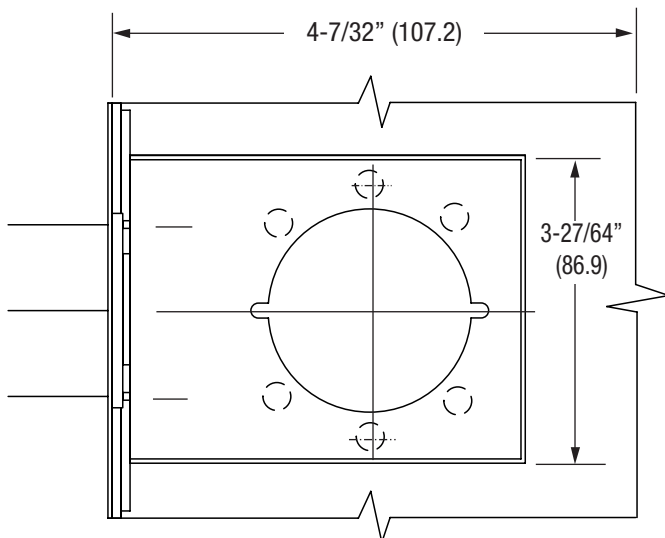
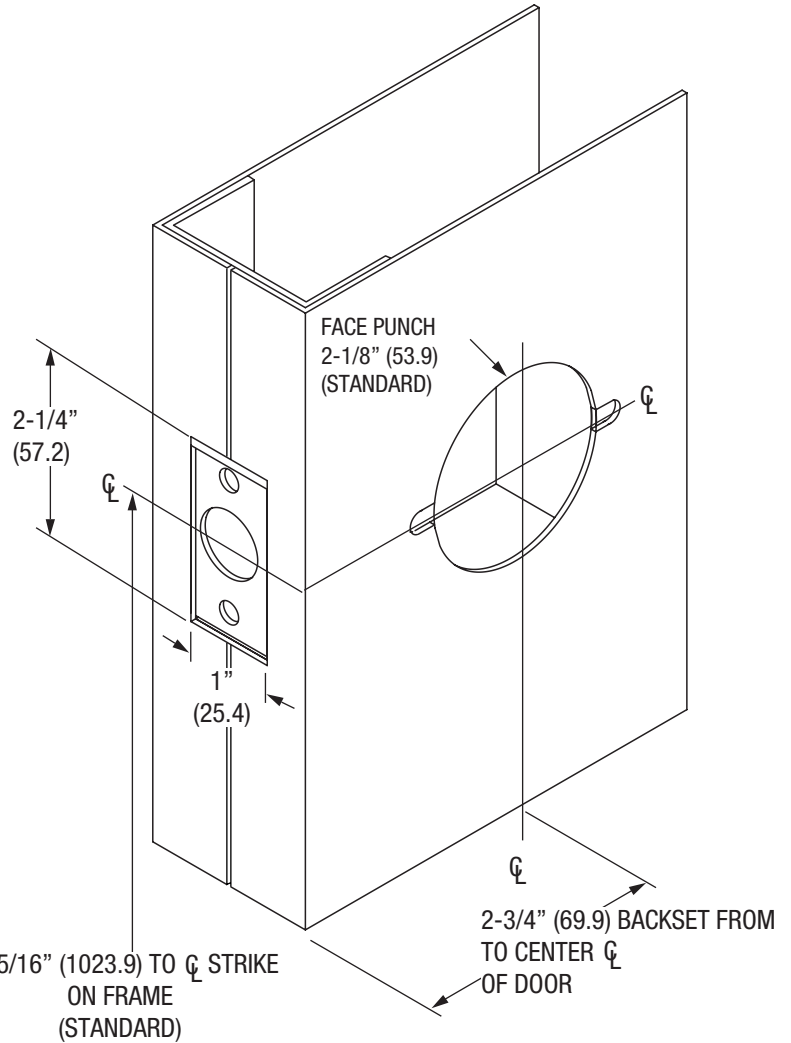
April, 2002

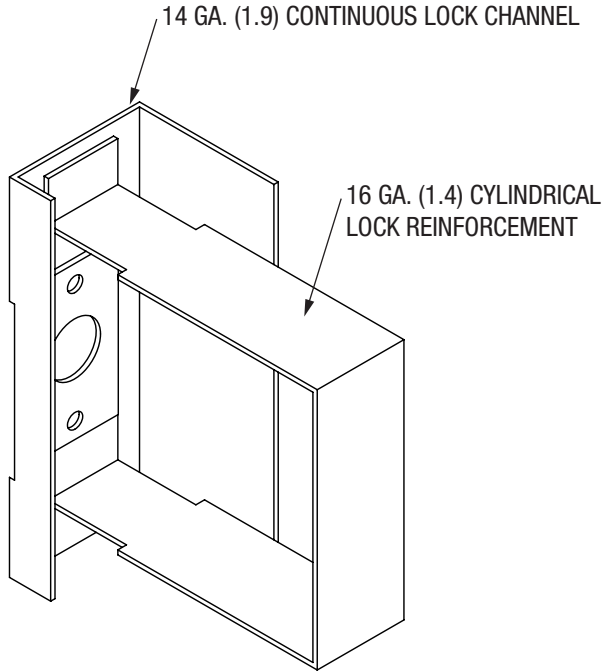


NOTE: NO LATCH BOLT GUIDE REQUIRED FOR 1-3/8" DOOR

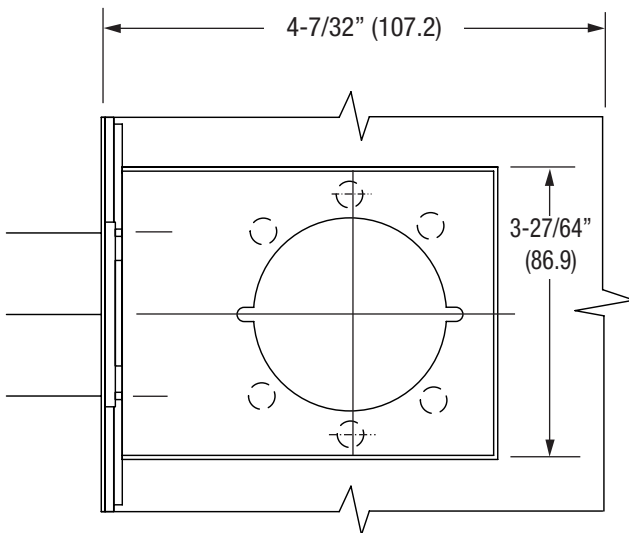


SIZE AND TAP PER ANSI A115.2

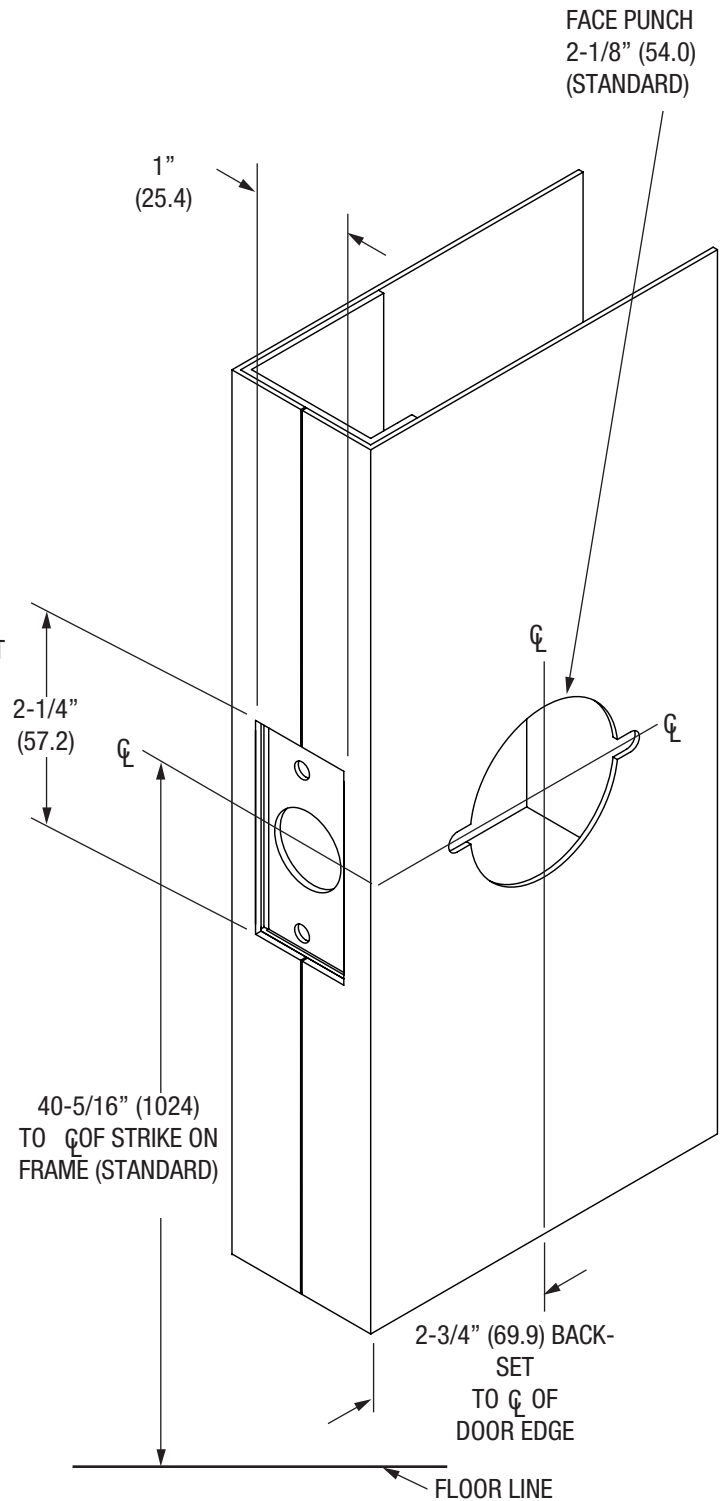




NOTE: LEVER HANDLE LOCKS REQUIRING INDEXING HOLES MUST BE SPECIFIED WHEN ORDERING.



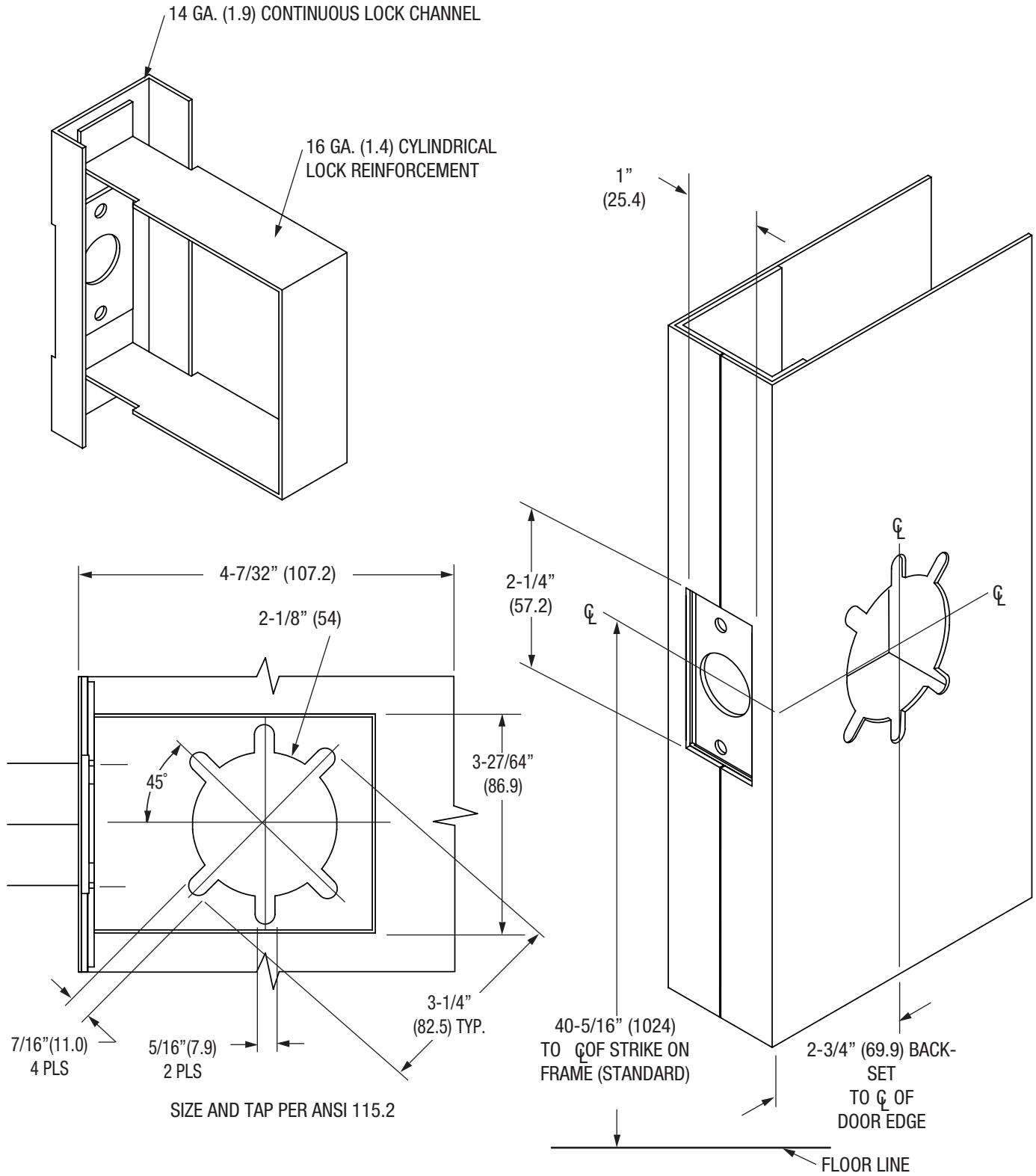
SIZE AND TAP PER ANSI 115.2

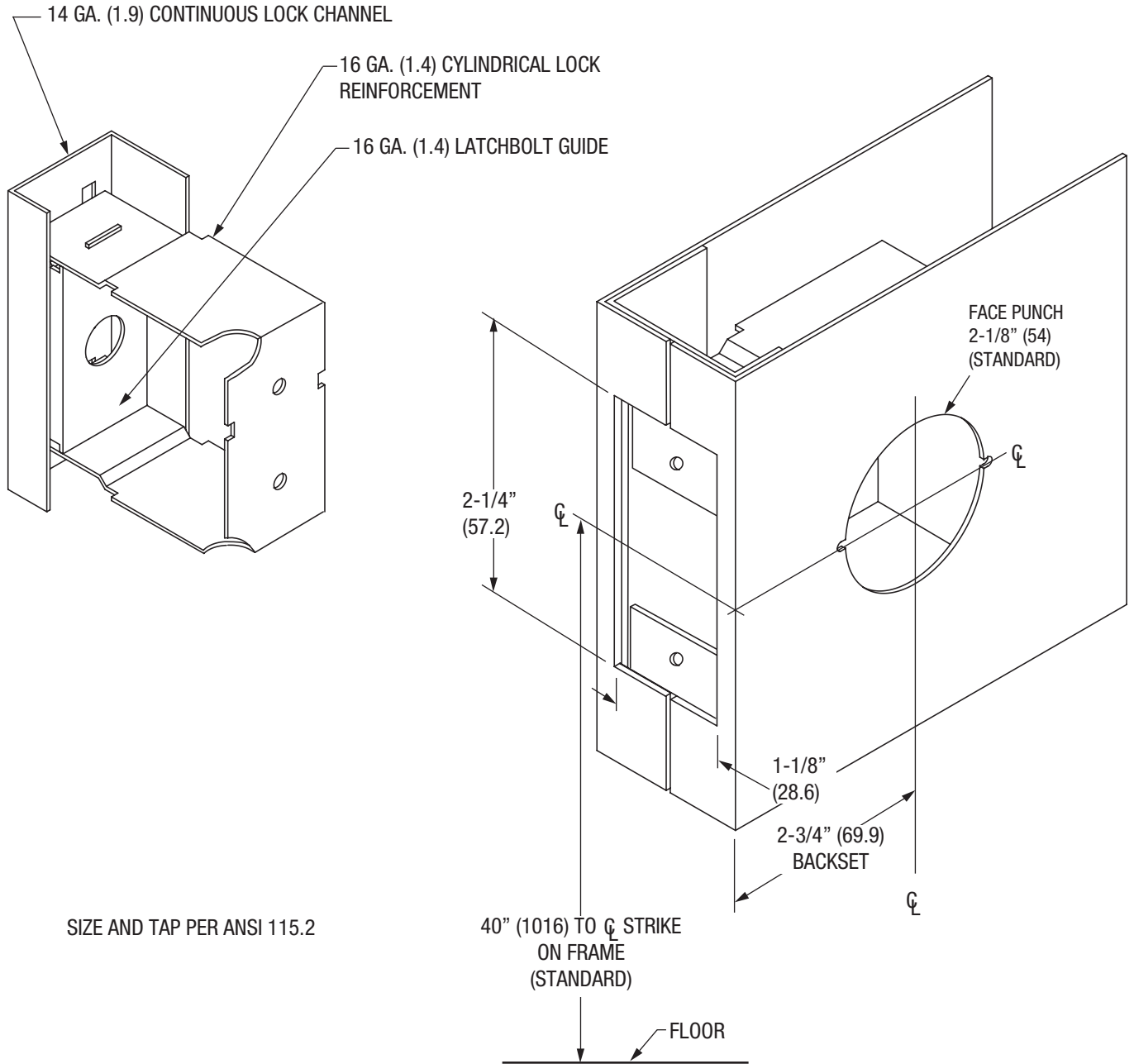


98
G1B Cylindrical Thru Bolt Preparation 1-3/8" Door

Door Technical Data

April, 2002

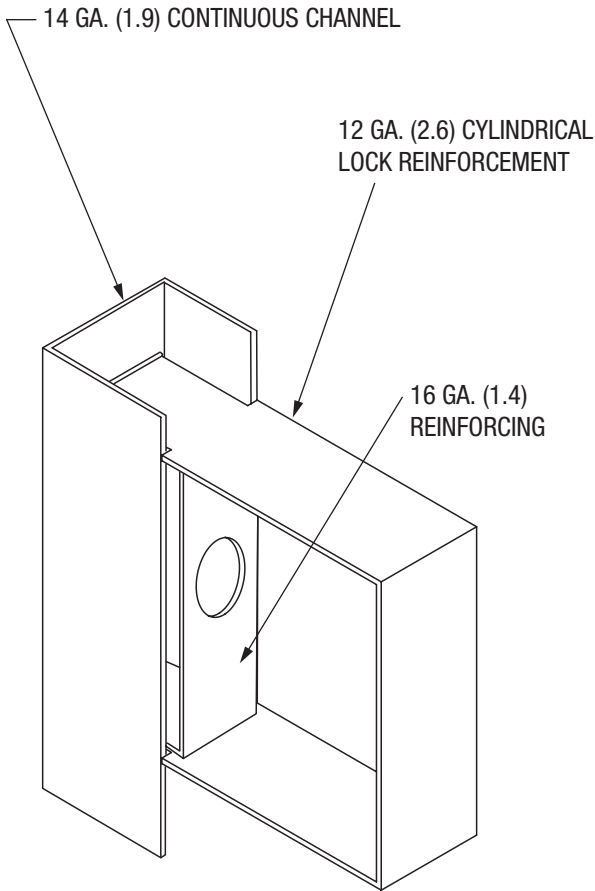




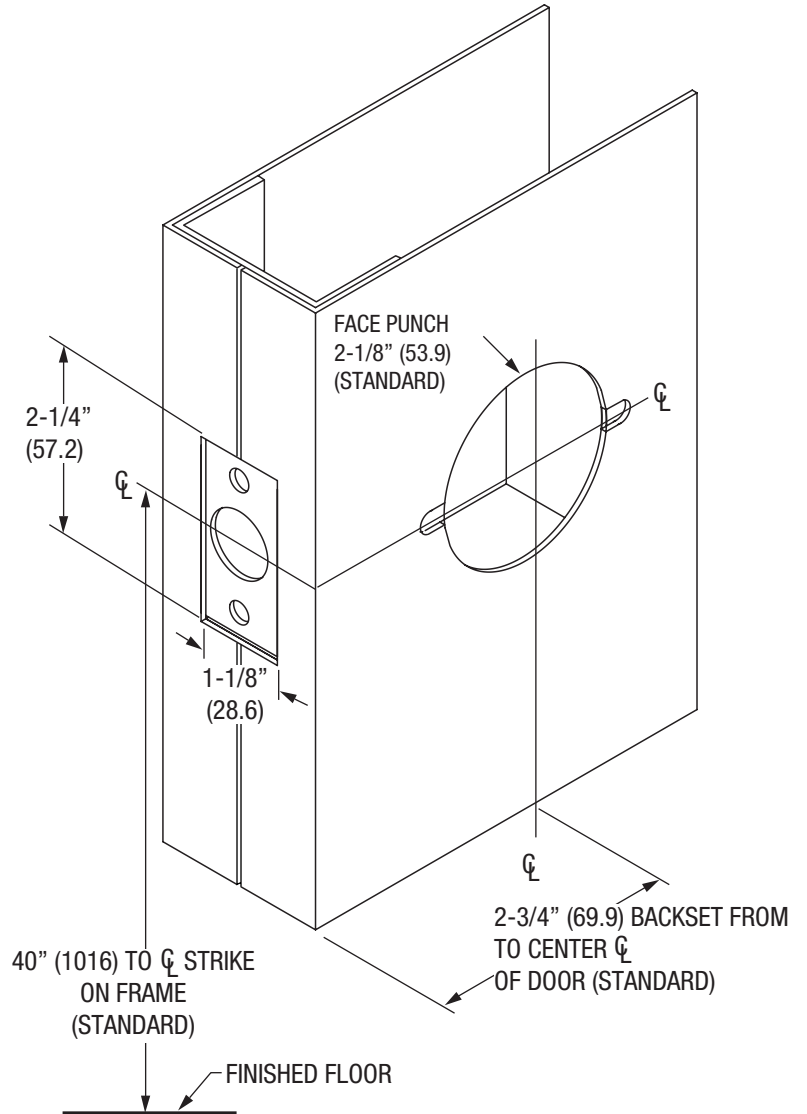
April, 2002

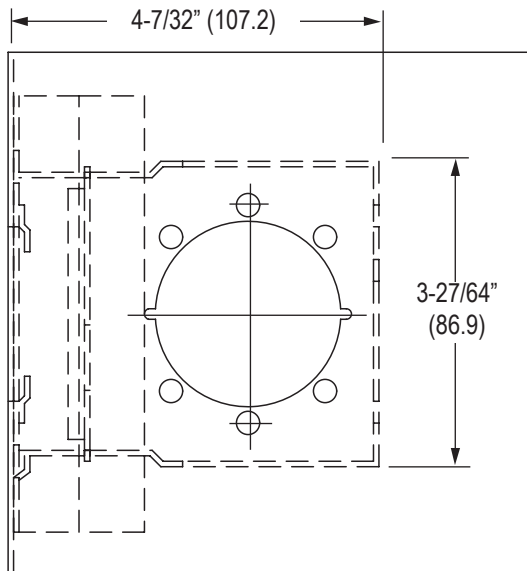
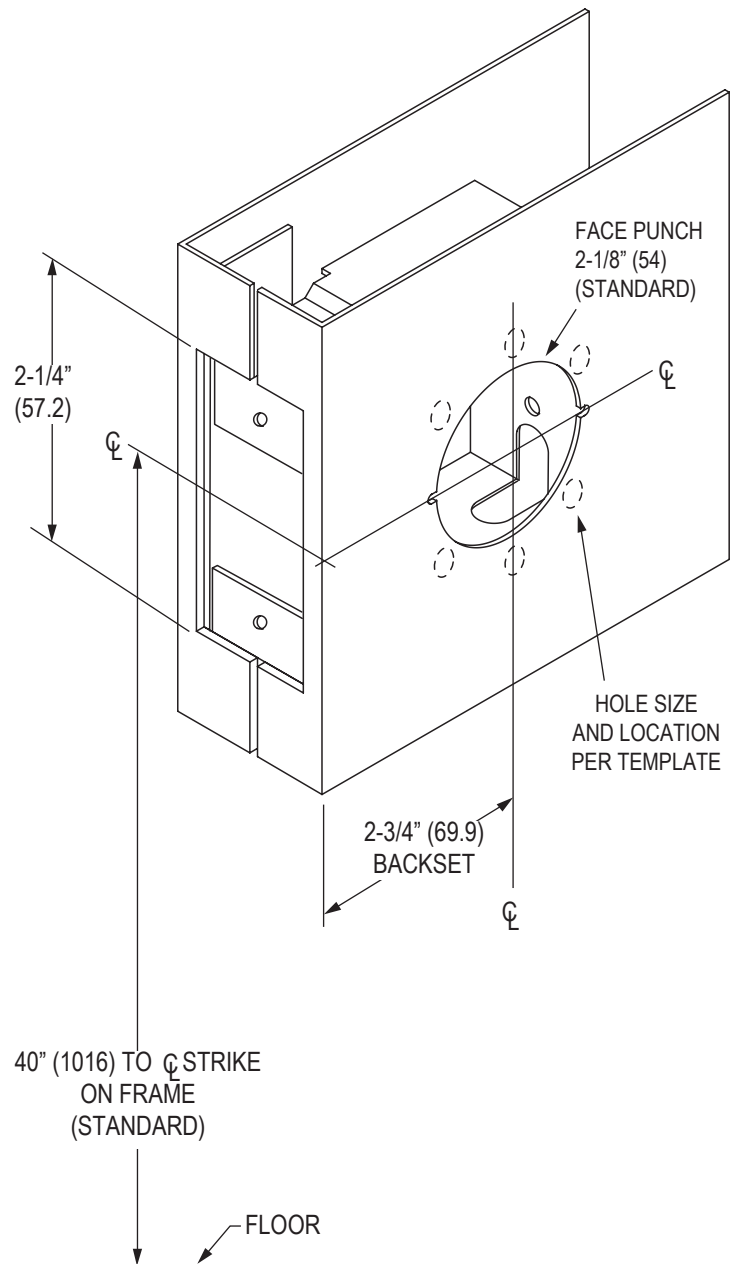
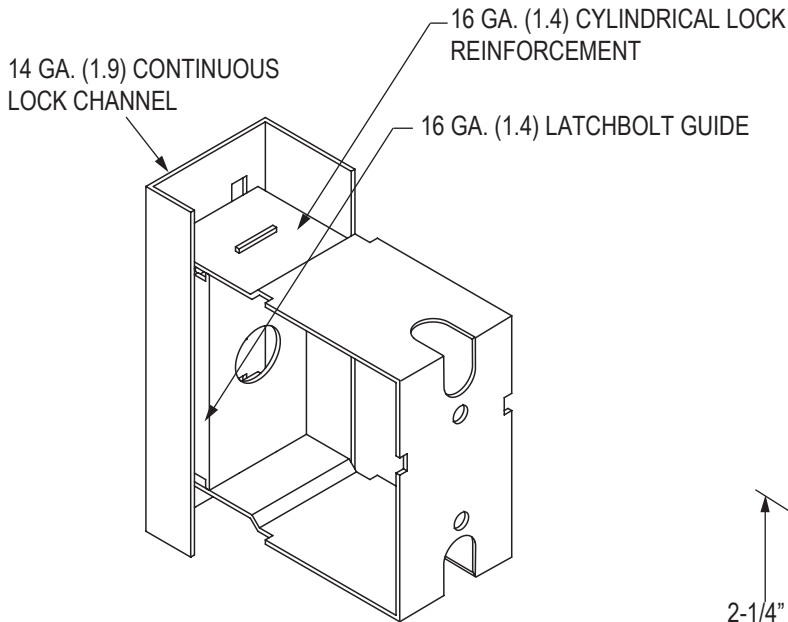


2" DOOR



SIZE AND TAP PER ANSI 115.2





NOTE: LEVER HANDLE LOCKS REQUIRING INDEXING HOLES MUST BE SPECIFIED WHEN ORDERING.

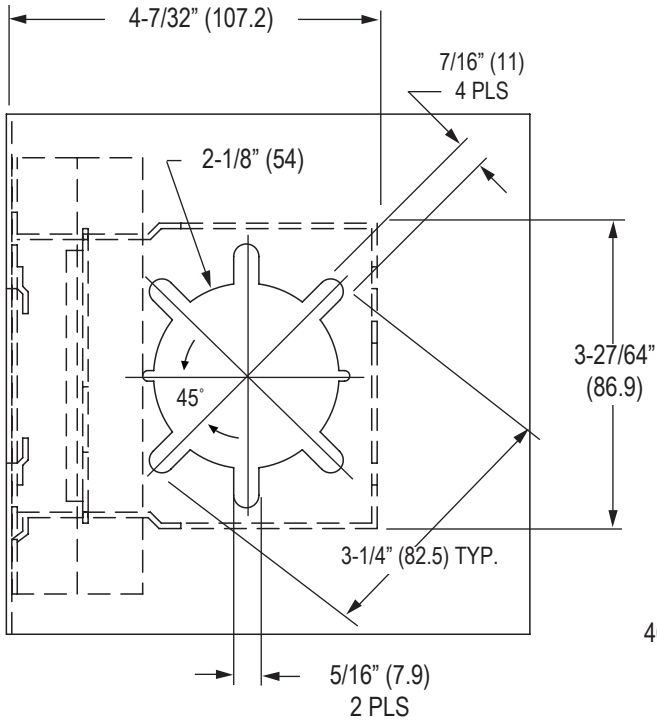
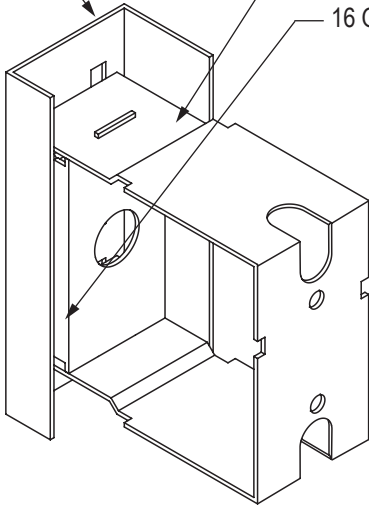
SIZE AND TAP PER ANSI 115.2

Door Technical Data

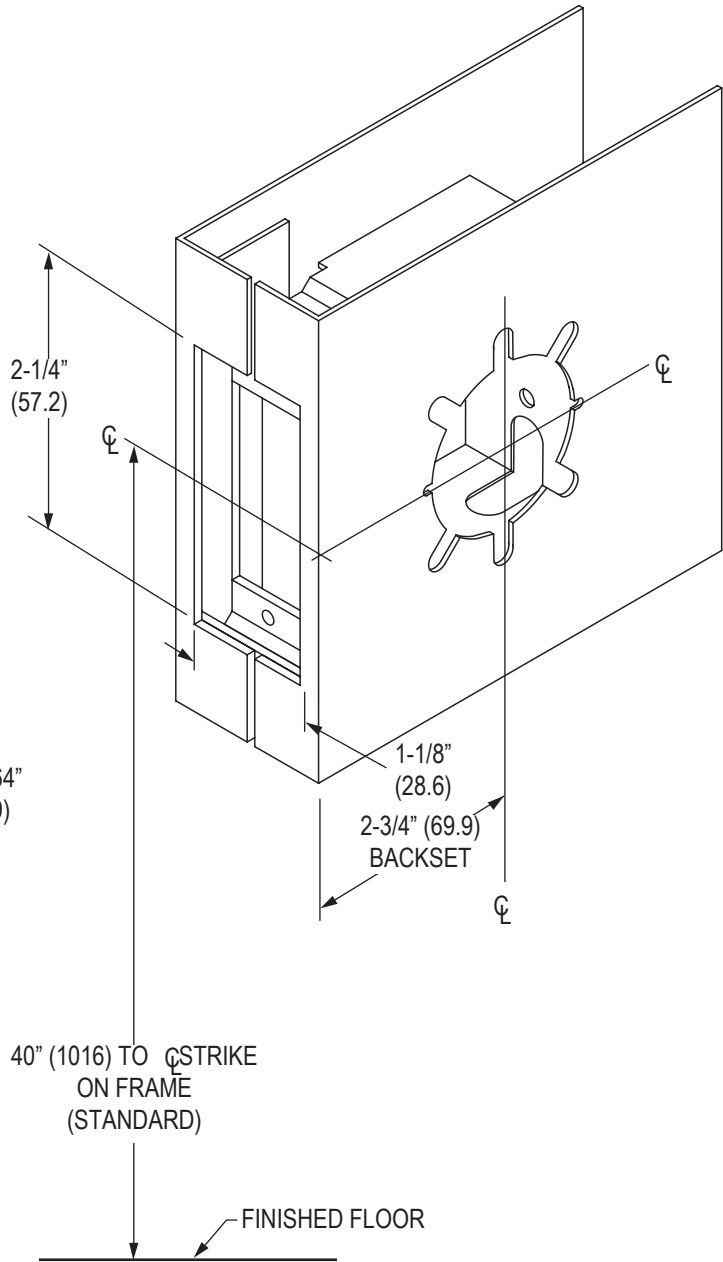
April, 2002



14 GA. (1.9) CONTINUOUS LOCK CHANNEL
 16 GA. (1.4) CYLINDRICAL LOCK REINFORCEMENT
 16 GA. (1.4) LATCHBOLT GUIDE



SIZE AND TAP PER ANSI 115.18





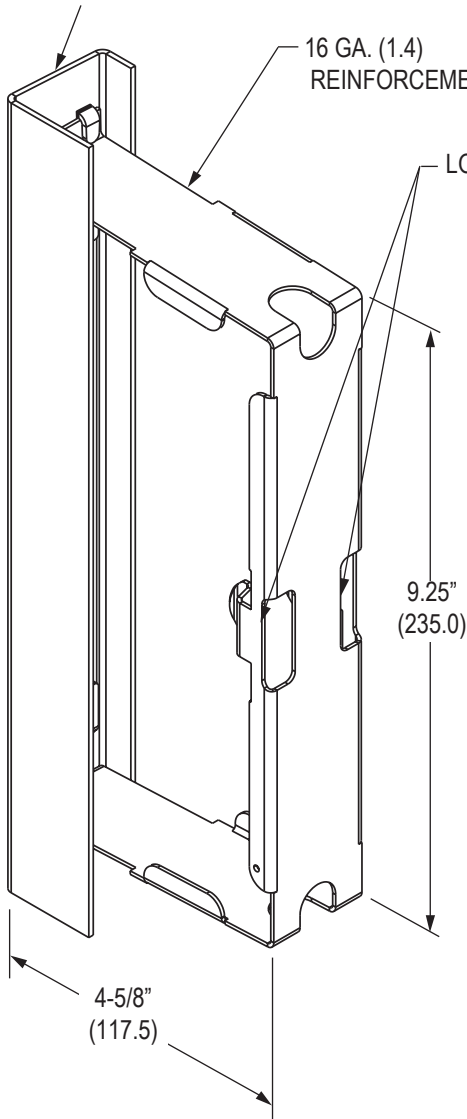
MORTISE POCKET WITH
ESCUTCHEON TRIM ONLY
- NO FUNCTION HOLES

14 GA. (1.9) CONTINUOUS
LOCK CHANNEL

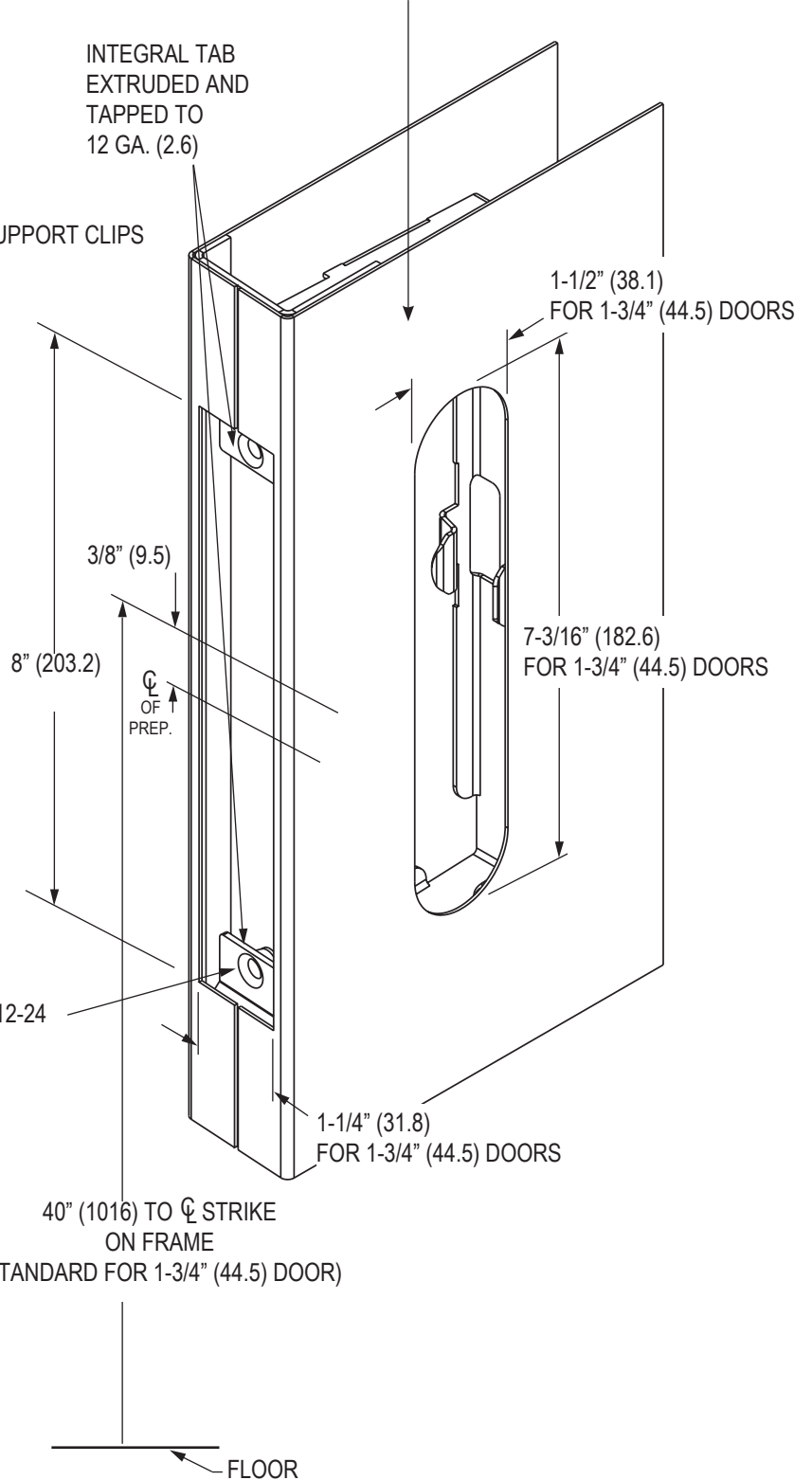
16 GA. (1.4)
REINFORCEMENT

INTEGRAL TAB
EXTRUDED AND
TAPPED TO
12 GA. (2.6)

LOCK SUPPORT CLIPS

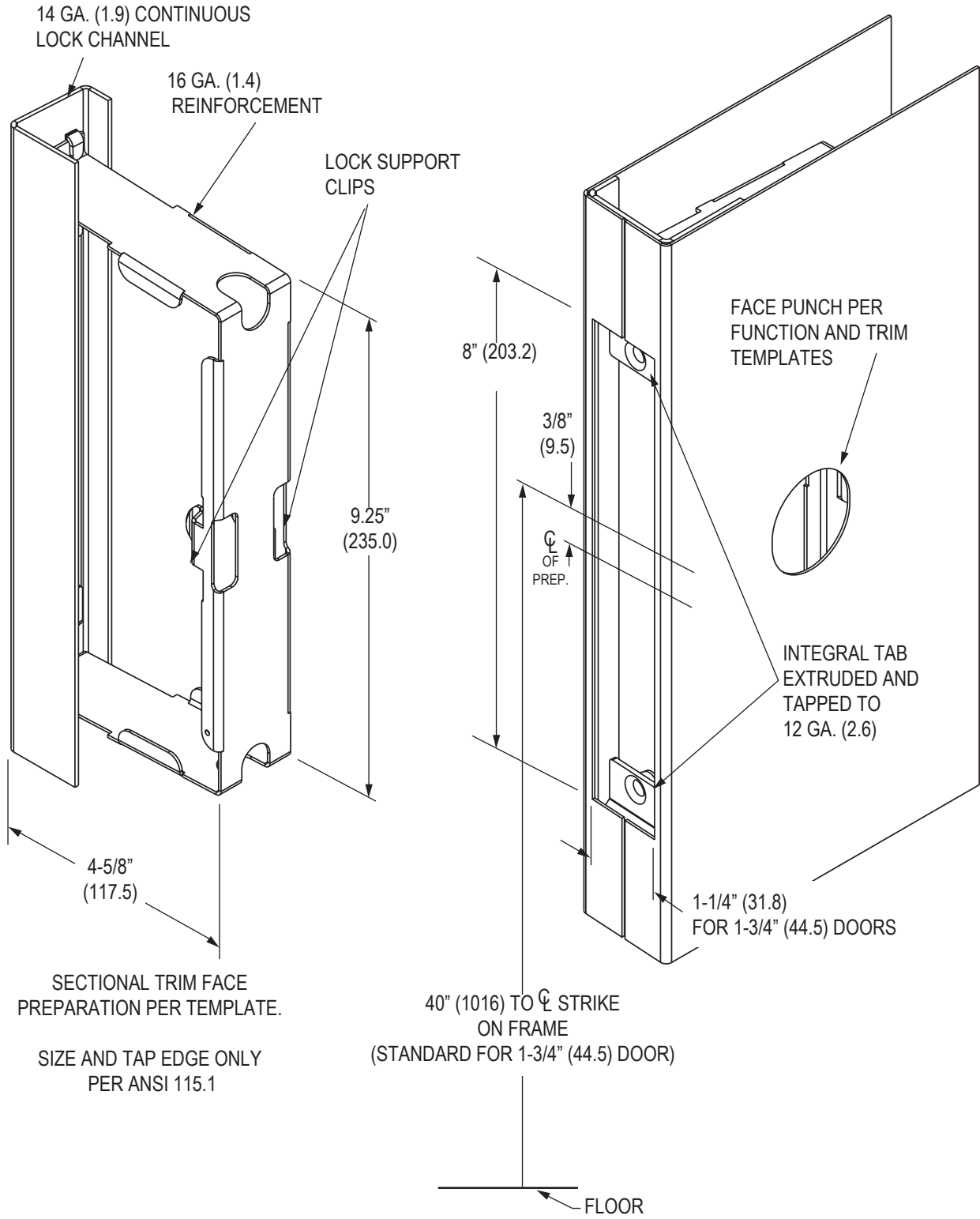


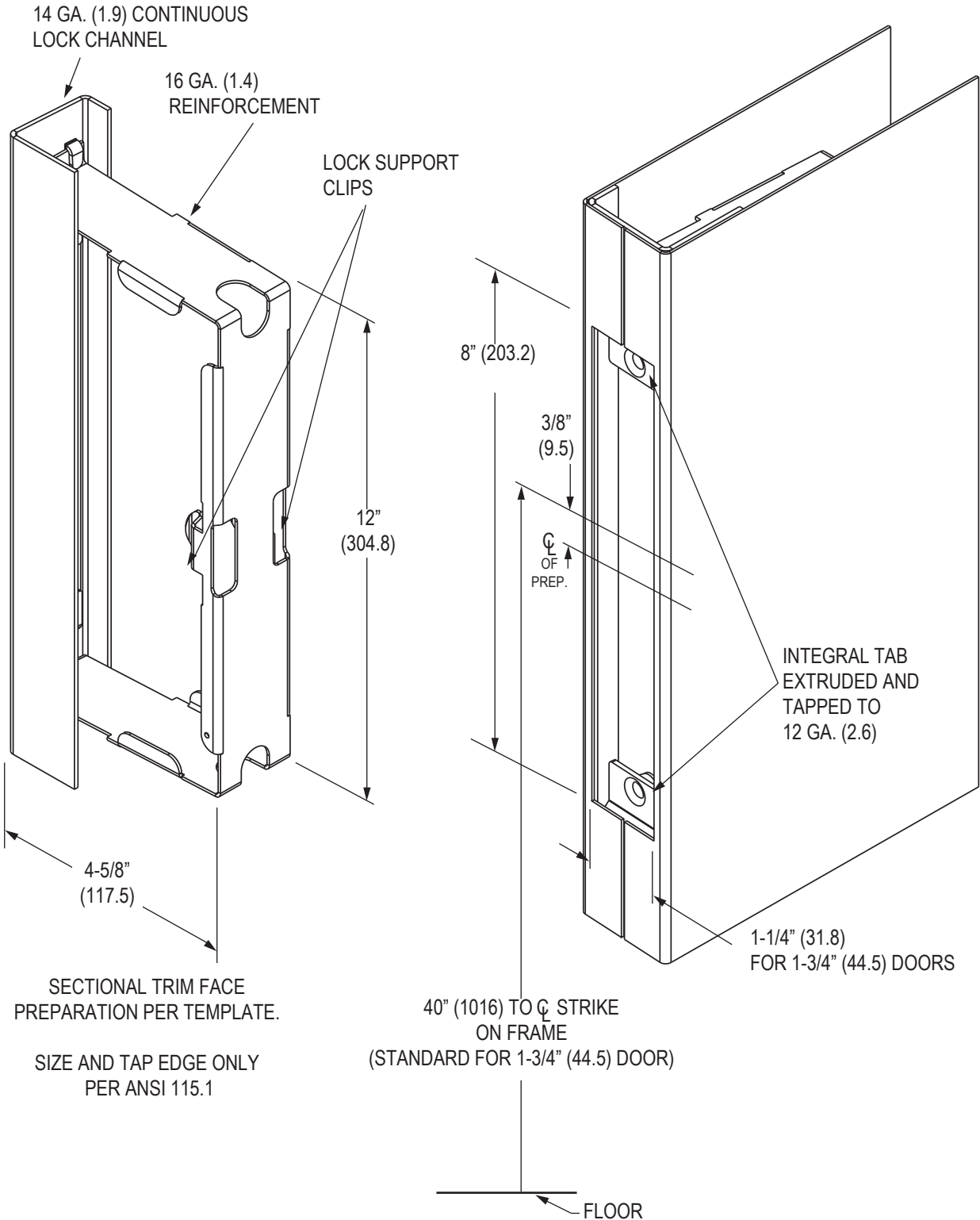
DOOR FACE AND EDGE PREPARATION
CONFORM TO ANSI A115.1



40" (1016) TO CL STRIKE
ON FRAME
(STANDARD FOR 1-3/4" (44.5) DOOR)

August, 2023

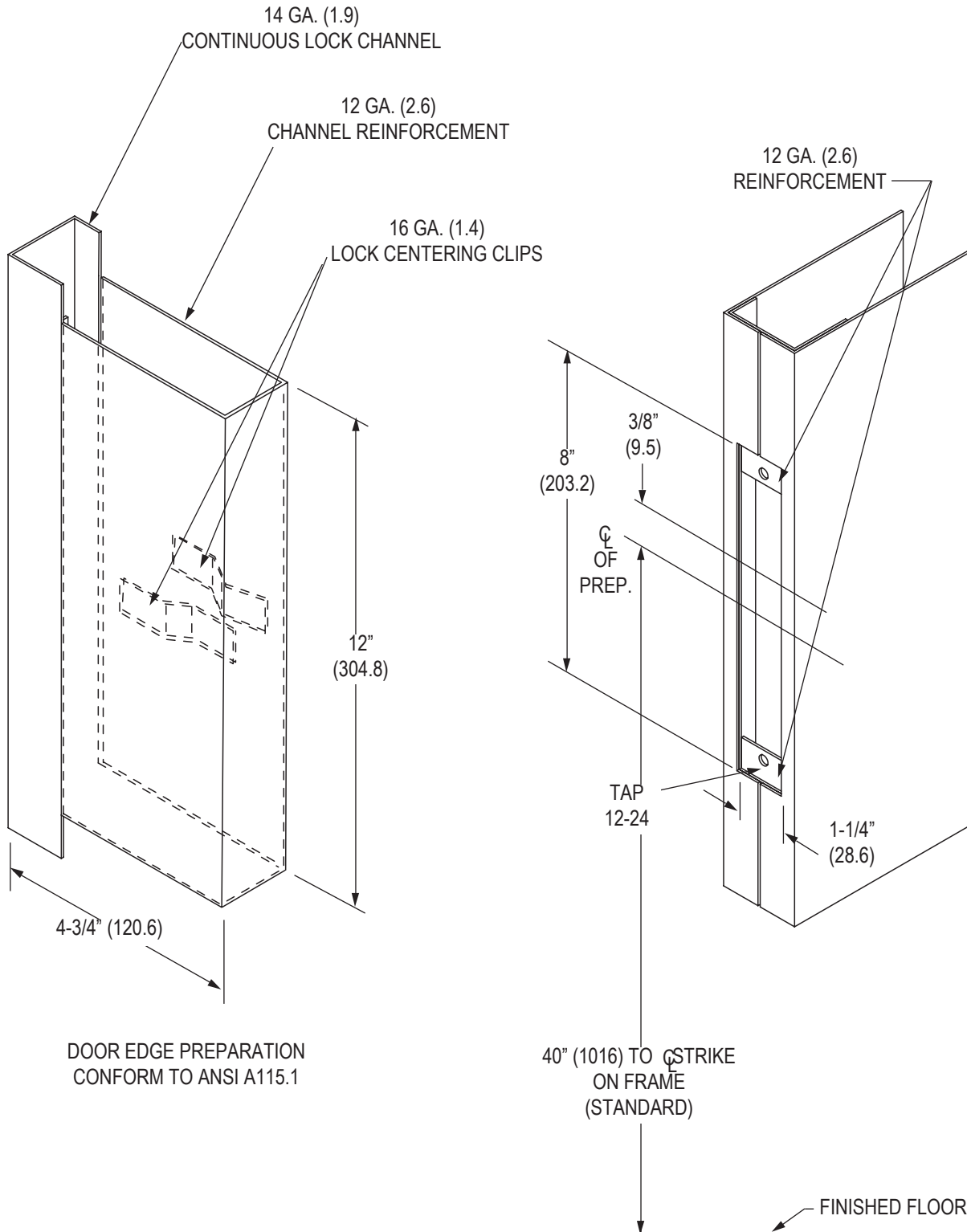


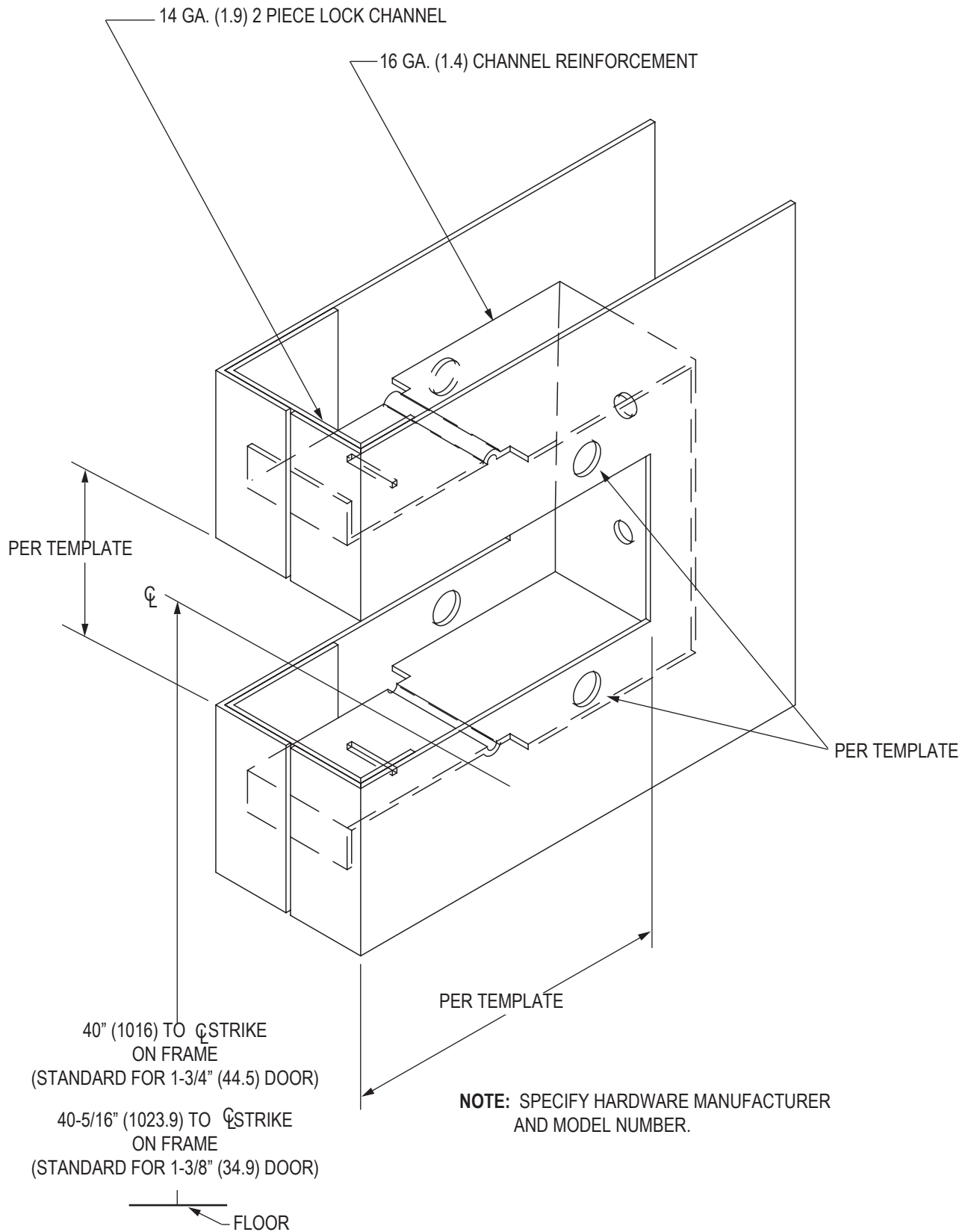


April, 2002

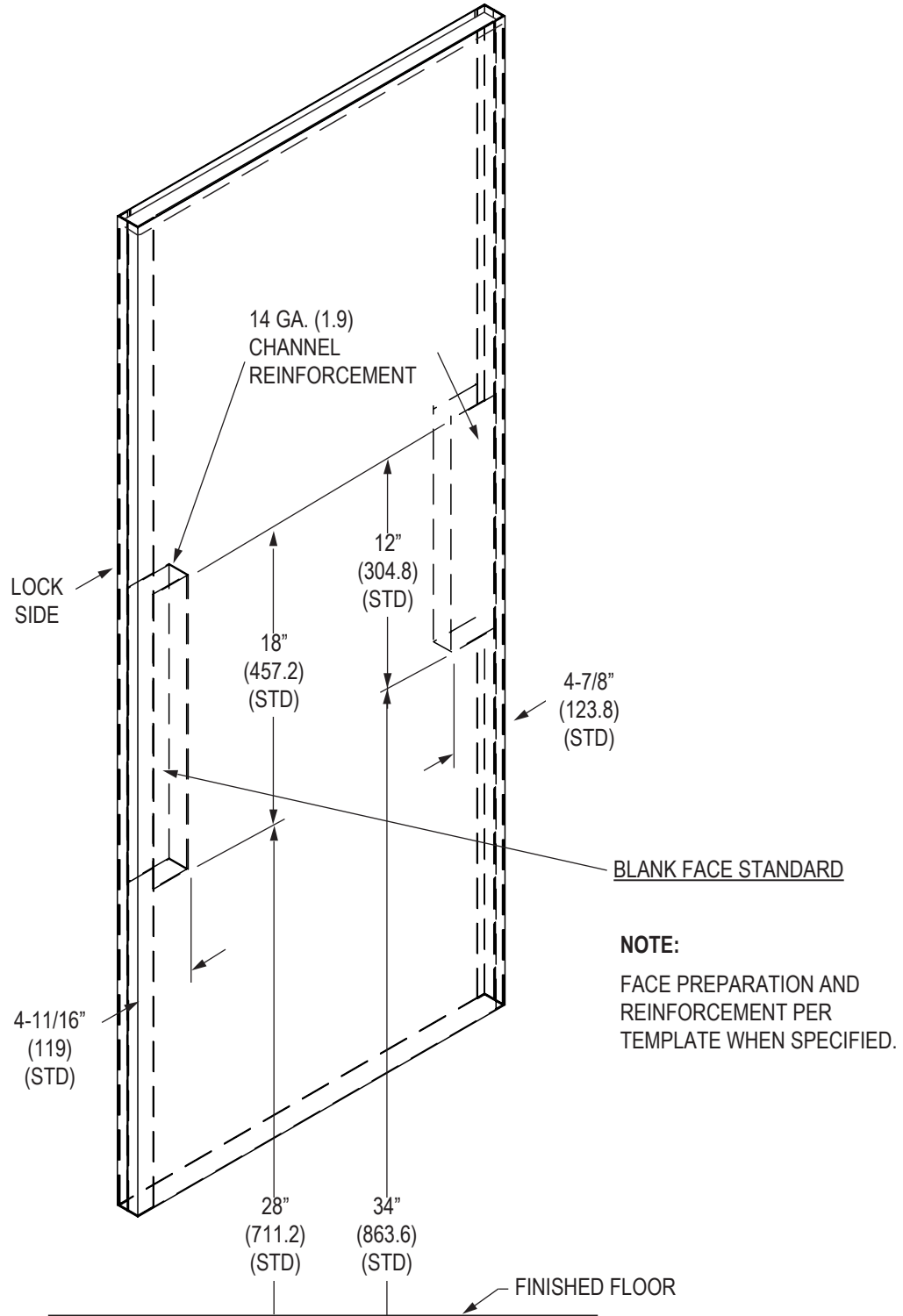


2" DOOR





March, 2007



G11A, G11B, G11C Rim Vertical Rod Exit Reinforcement

Door Technical Data

March, 2007



NOTE:
TOP AND BOTTOM ROD PREPARATION PER TEMPLATE.

14 GA. (1.9)
CHANNEL REINFORCEMENT

6" (152.4)
(STD)

14 GA. (1.9)
CHANNEL REINFORCEMENT

G11B - 3 POINT LATCHING IS REINFORCED THE SAME AS G11A SHOWN

G11C - TOP LATCH ONLY. BOTTOM LOCK SIDE REINFORCING CHANNEL IS OMITTED.

FIRE PLUNGER REQUIRED FOR LABEL.

LOCK SIDE

12" (304.8)
(STD)

18" (457.2)
(STD)

3-3/16" (96.8)
(STD)

BLANK FACE STANDARD

NOTE:
FACE PREPARATION AND REINFORCEMENT PER TEMPLATE WHEN SPECIFIED.

4-1/8" (104.8)
(STD)

6" (152.4)
(STD)

14 GA. (1.9)
CHANNEL REINFORCEMENT

27" (685.8)
(STD)

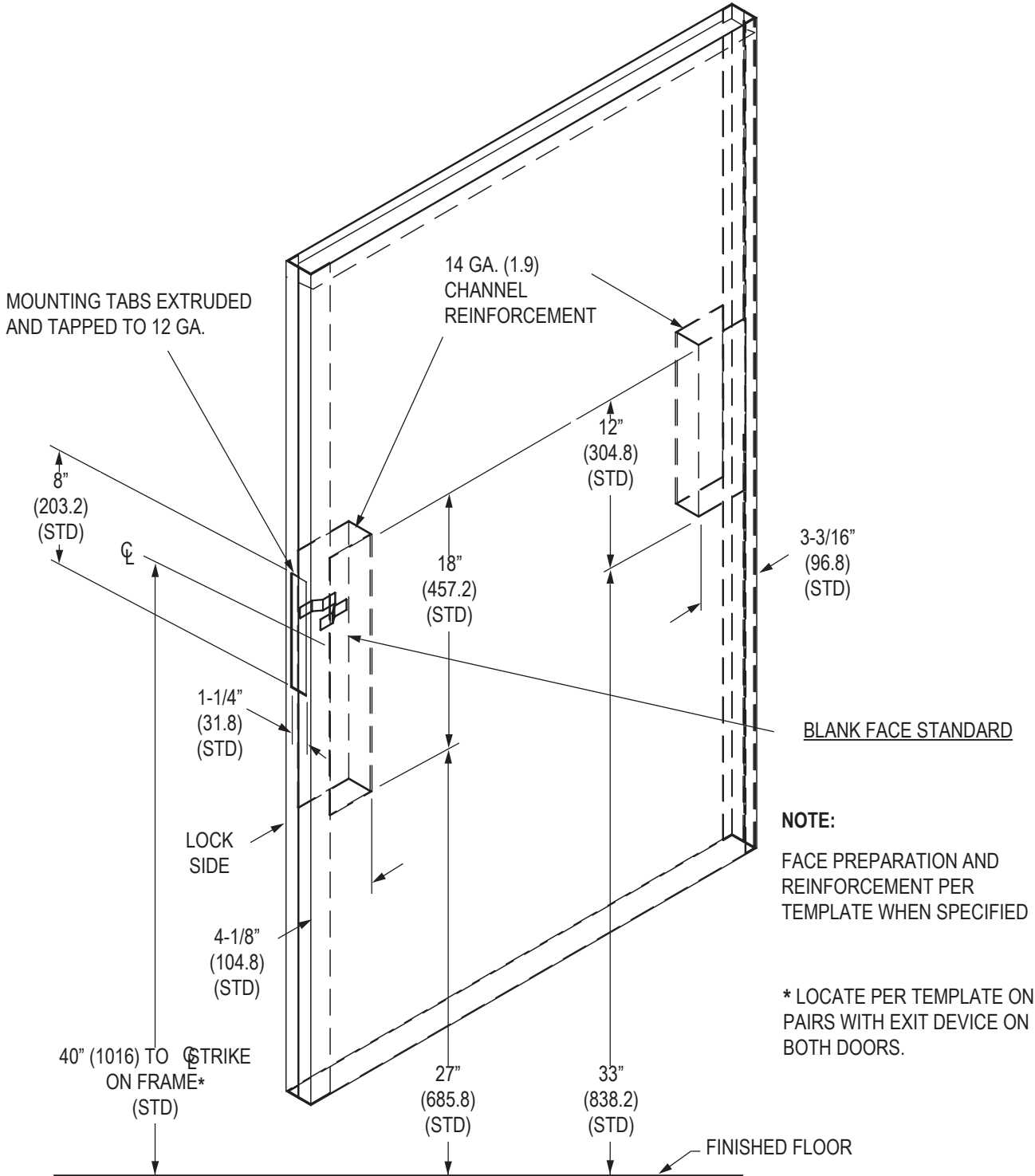
33" (838.2)
(STD)

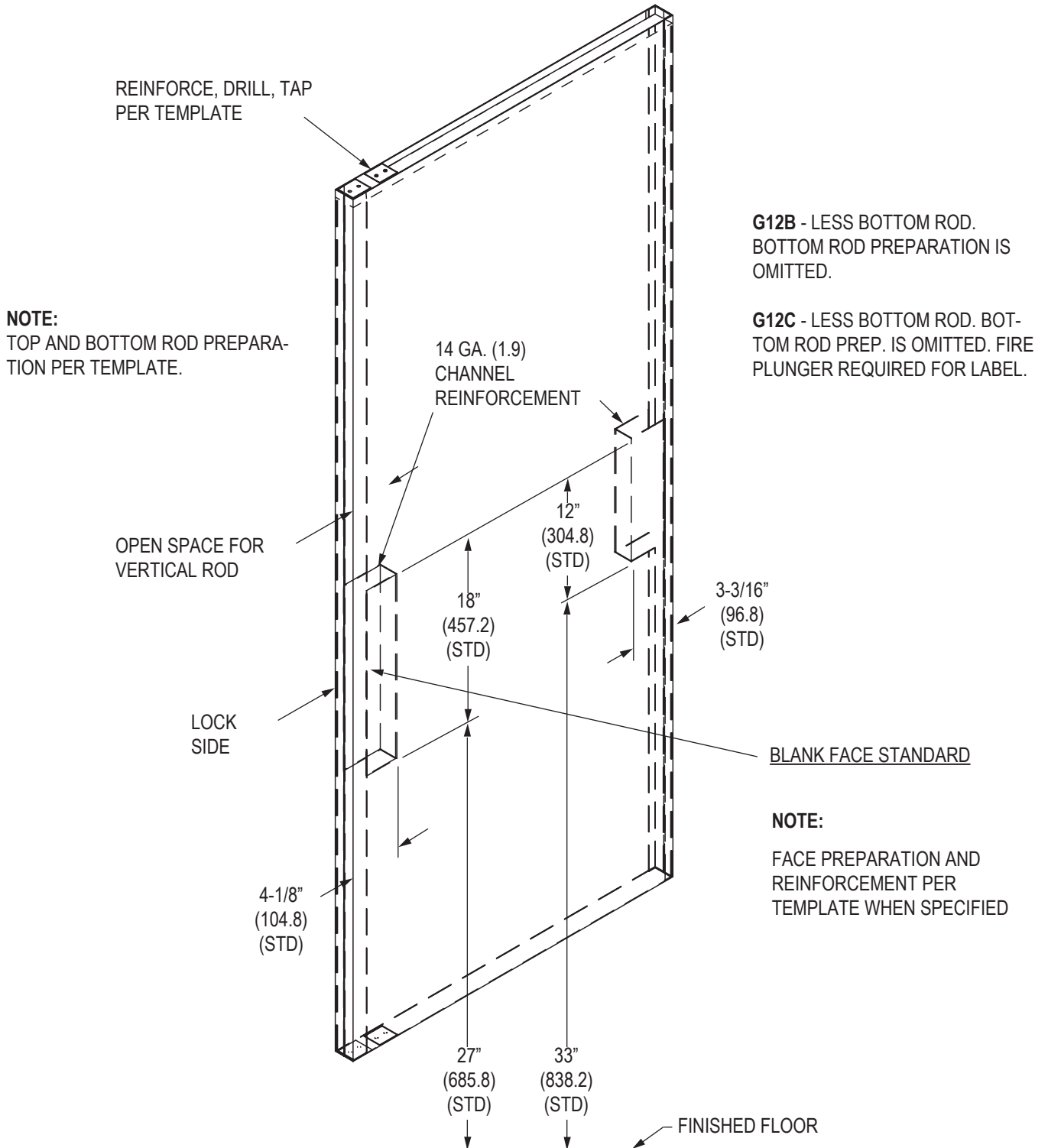
FINISHED FLOOR

G12 Mortise Exit Reinforcement

Door Technical Data

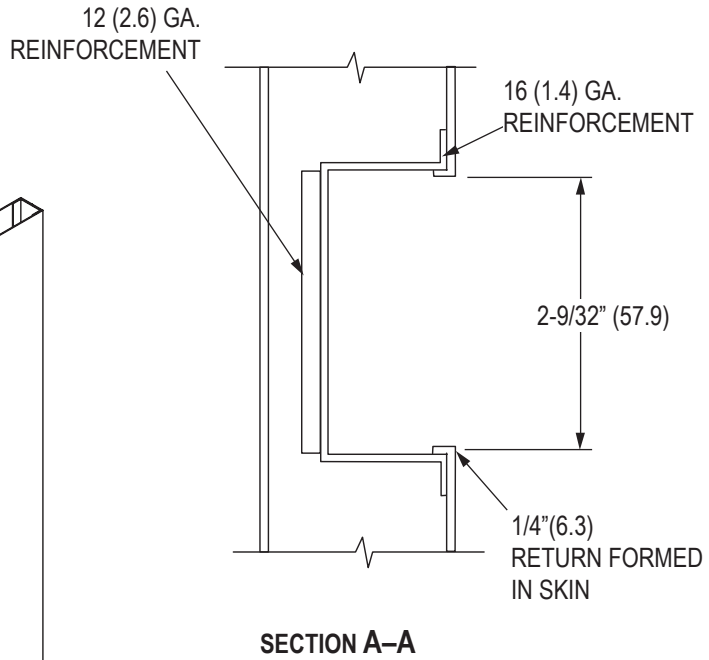
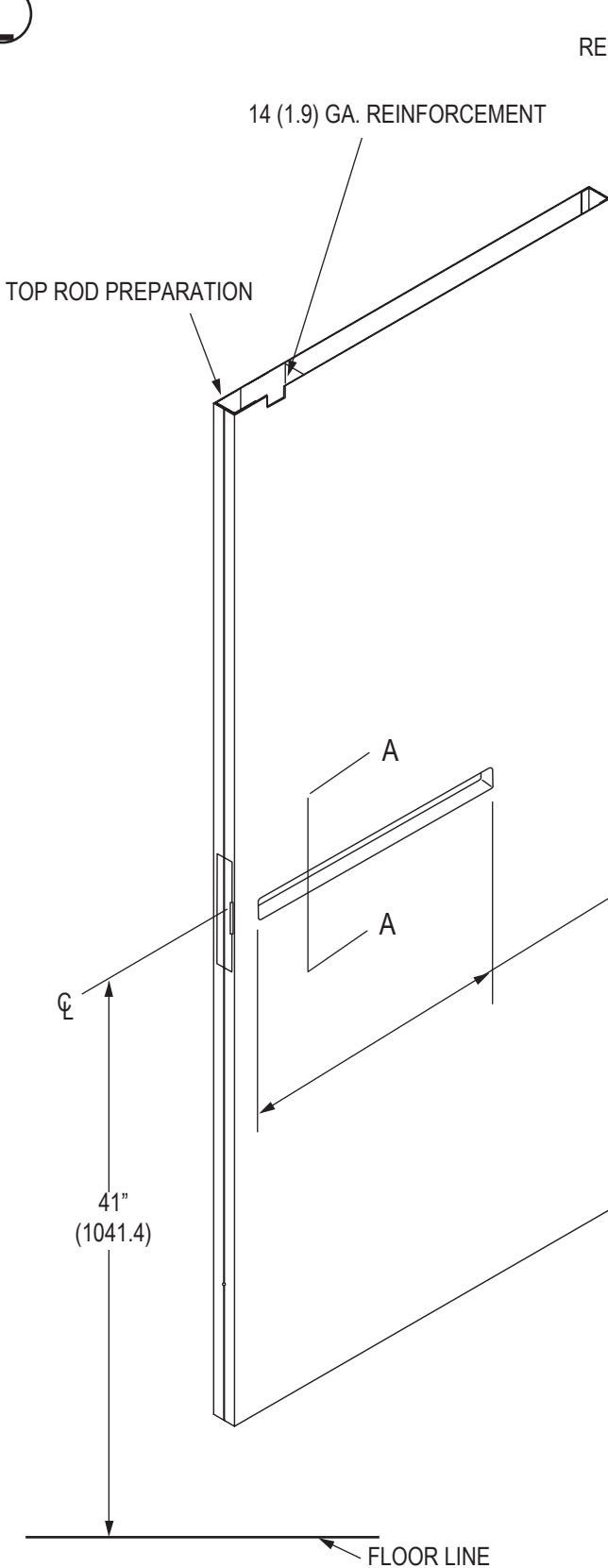
March, 2007





NOTE: FINISH FLOOR, BOTTOM UNDERCUT, AND BOLT PROTRUSION CRITICAL FOR BOLT ENGAGEMENT TO FLOOR.

May, 2006

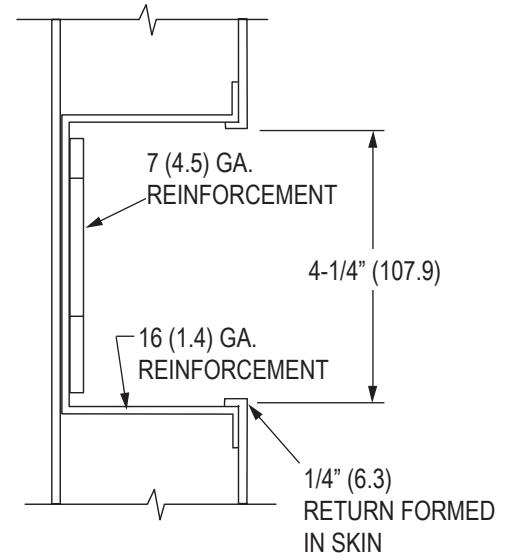
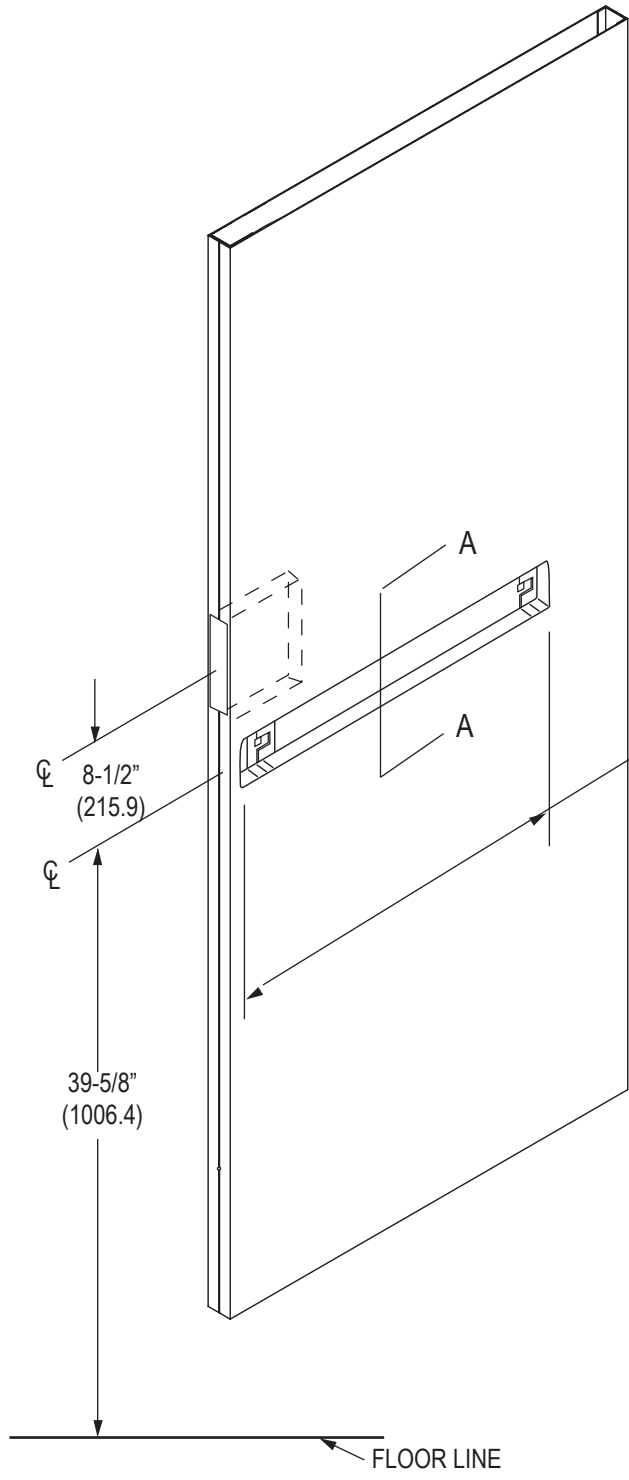


CUTOUT WIDTH
 30-5/32" (765.9)
 36-5/32" (918.3)
 40-5/32" (1019.9)
 4'0" (1219.2) -5'0" (1524)

NOMINAL DOOR WIDTH *
 3'0" (914.4) ONLY
 3'6" (1066.8) OR 3'8" (1117.6)
 3'10" (1168) OR 4'0" (1219.2),

*STANDARD HINGE AND LOCK CLEARANCES

THE DEVICE IS FIRE RATED UP TO 90 MINUTES IN DOORS UP TO 4'0" (1219.2) X 10'0" (3048) (SINGLES) AND 8'0" (2438.4) X 10'0" (3048) (PAIRS).



SECTION A-A

CUTOUT WIDTH
 24-5/32" (613.6)
 30-5/32" (765.9)

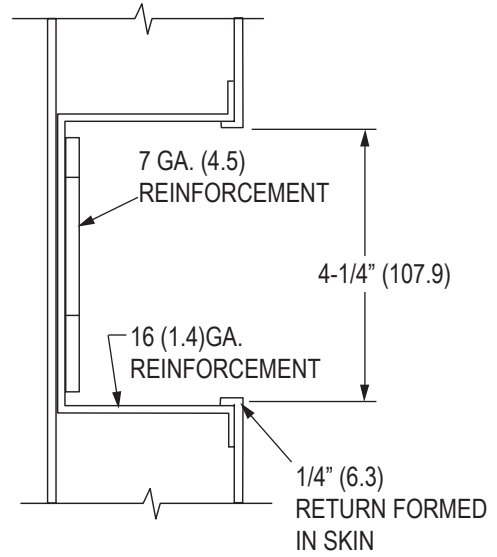
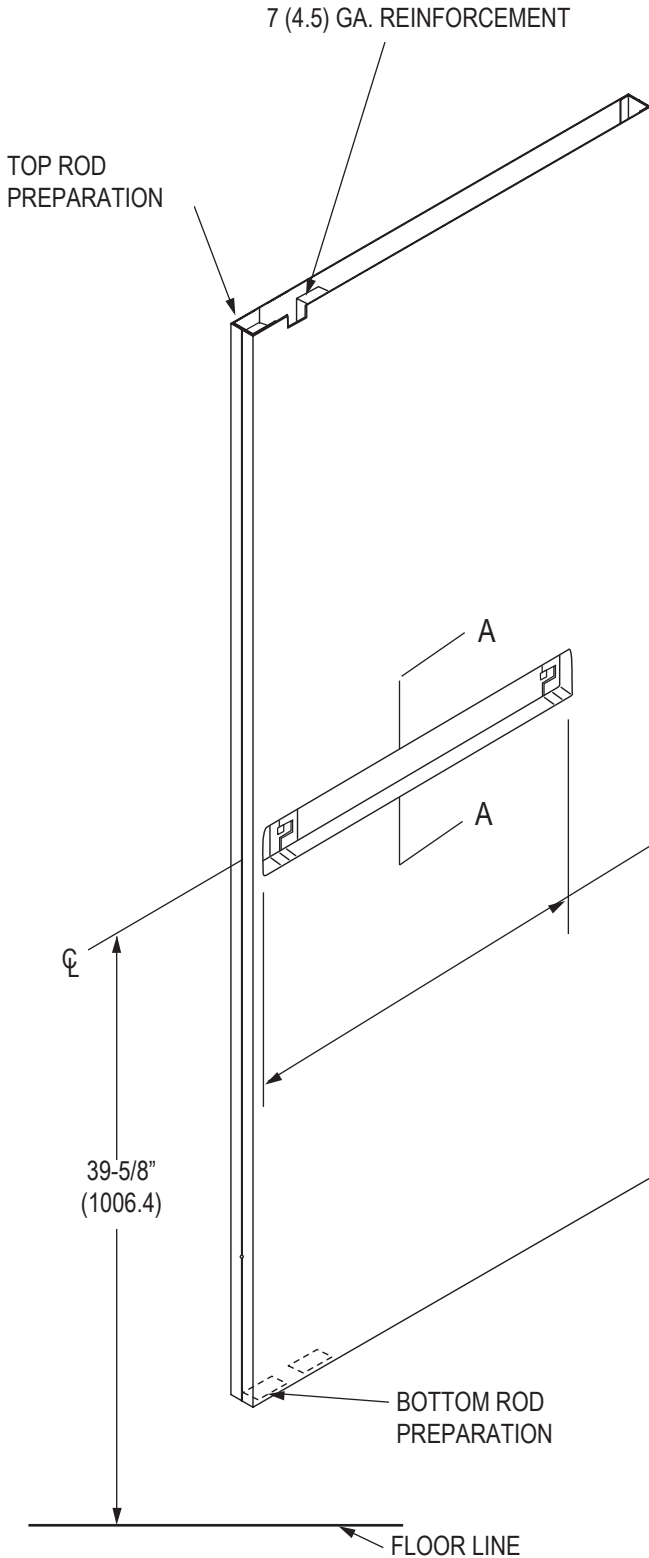
NOMINAL DOOR WIDTH, W *
 2'6" (762.0) ≤ W < 2'10" (863.6)
 2'10" (863.6) ≤ W ≤ 5'0" (1524)

THE DEVICE IS FIRE RATED UP TO THREE HOURS IN DOORS UP TO 4'0" (1219.2) X 10'0" (3048) (SINGLES).

* STANDARD HINGE AND LOCK CLEARANCES

1-3/4" DOOR ONLY
NOT AVAILABLE ON:
 EMBOSSED PANEL DOORS
 20 (.91) GAUGE DOORS
 607 SERIES DOORS
 737 SERIES DOORS
 2" (50.8) THICK DOORS

April, 2004



SECTION A-A

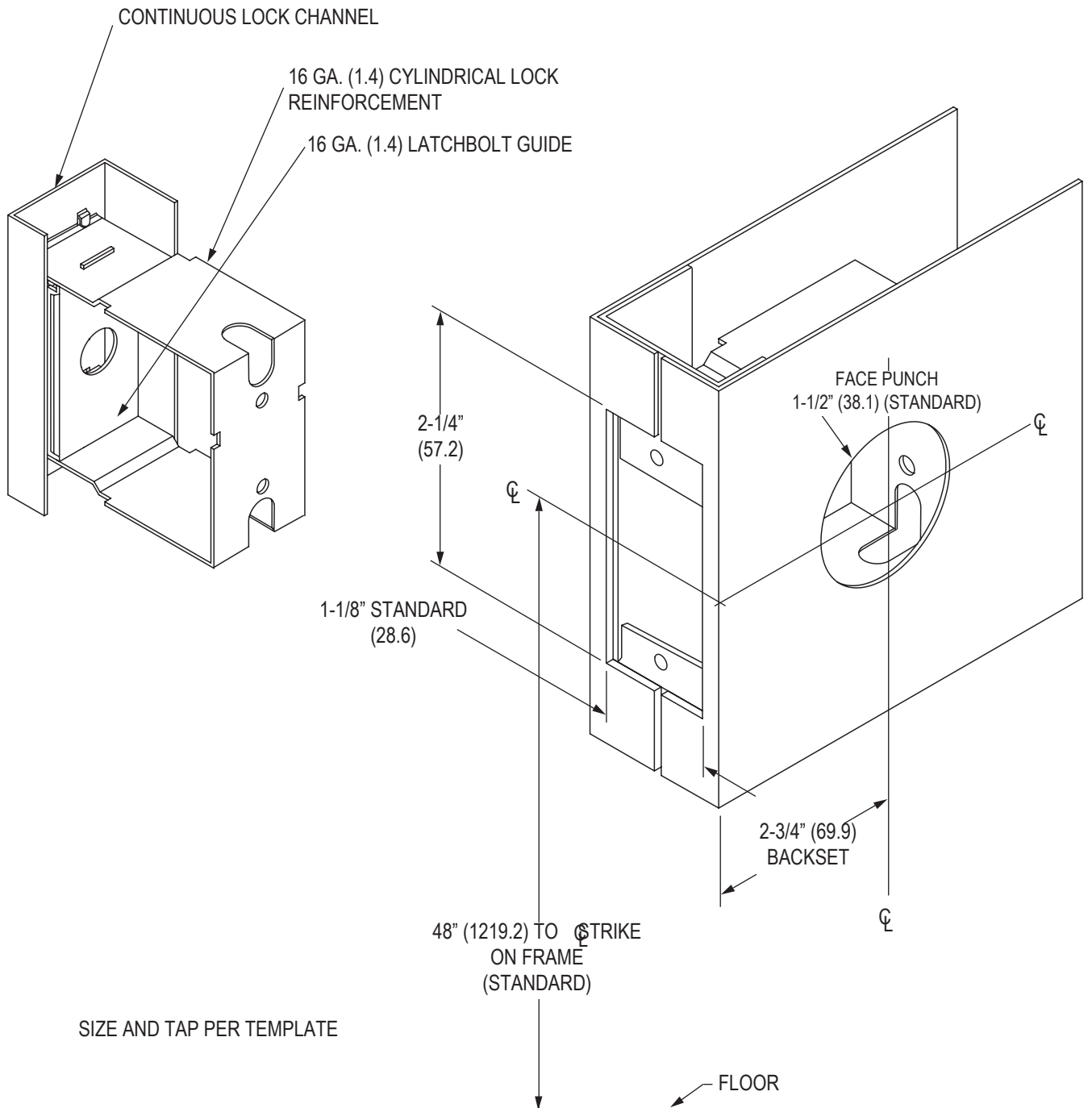
CUTOUT WIDTH
 24-5/32" (613.6)
 30-5/32" (765.9)

NOMINAL DOOR WIDTH, W *
 2'6" (762.0) ≤ W < 2'10" (863.6)
 2'10" (863.6) ≤ W ≤ 5'0" (1524)

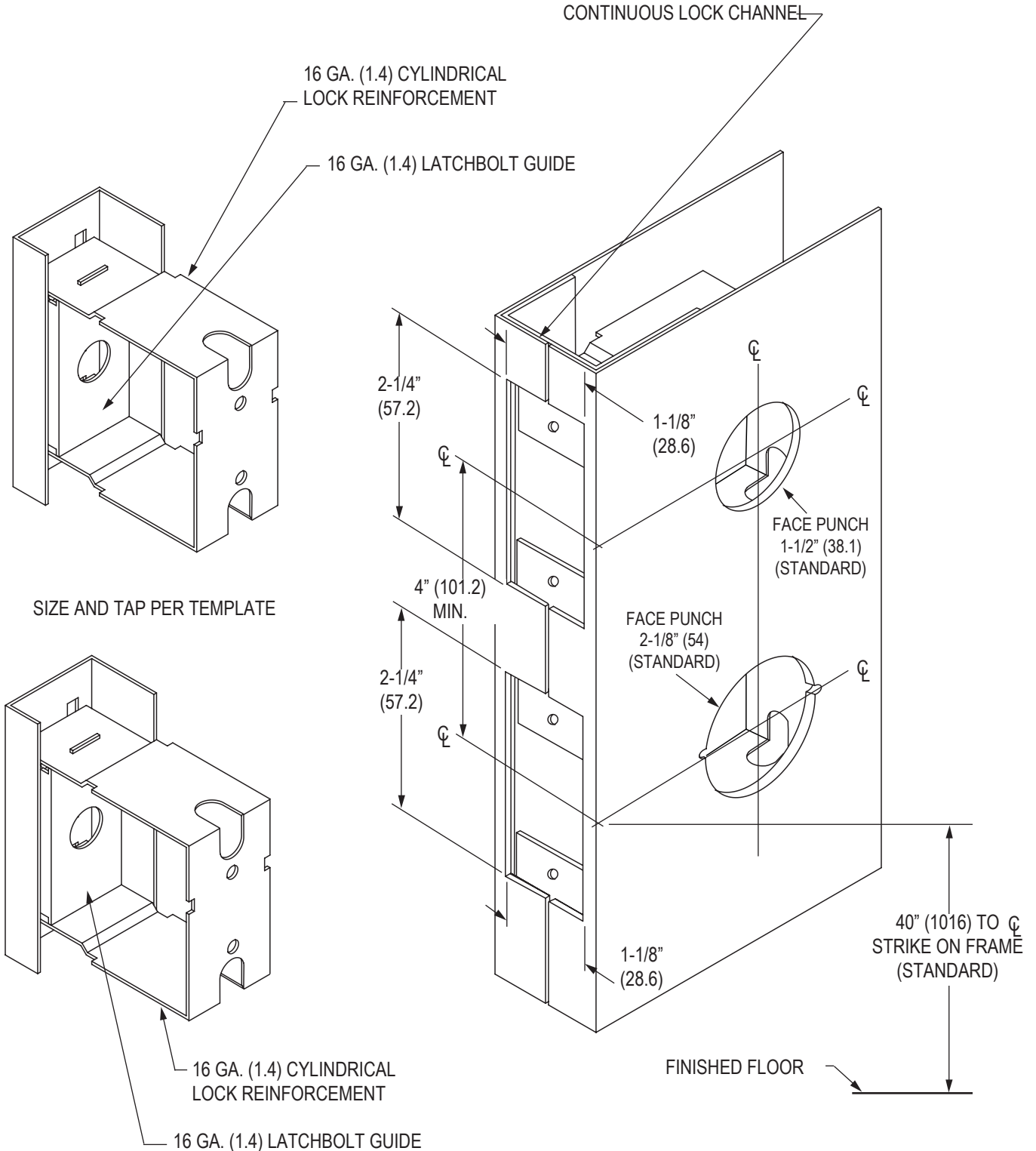
THE DEVICE IS FIRE RATED FOR USE ON PAIRS UP TO 8'0" X 10'0", 3 HOURS DOUBLE EGRESS DOORS AND 90 MINUTE DOORS SWINGING IN THE SAME DIRECTION.

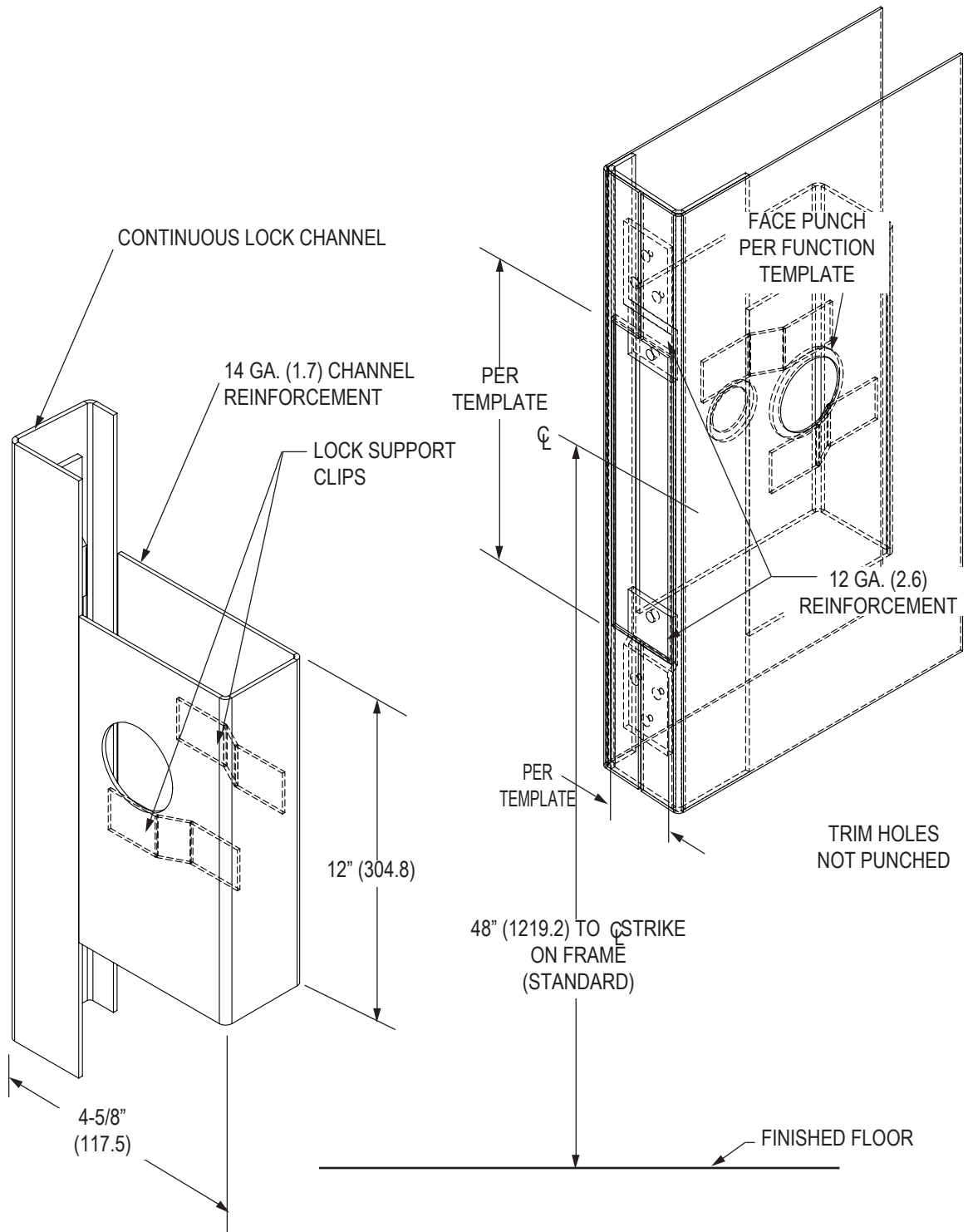
* STANDARD HINGE AND LOCK CLEARANCES

1-3/4" (44.4) DOOR ONLY
NOT AVAILABLE ON:
 EMBOSSED PANEL DOORS
 20 (.91) GAUGE DOORS
 607 SERIES DOORS
 737 SERIES DOORS
 2" (50.8) THICK DOORS

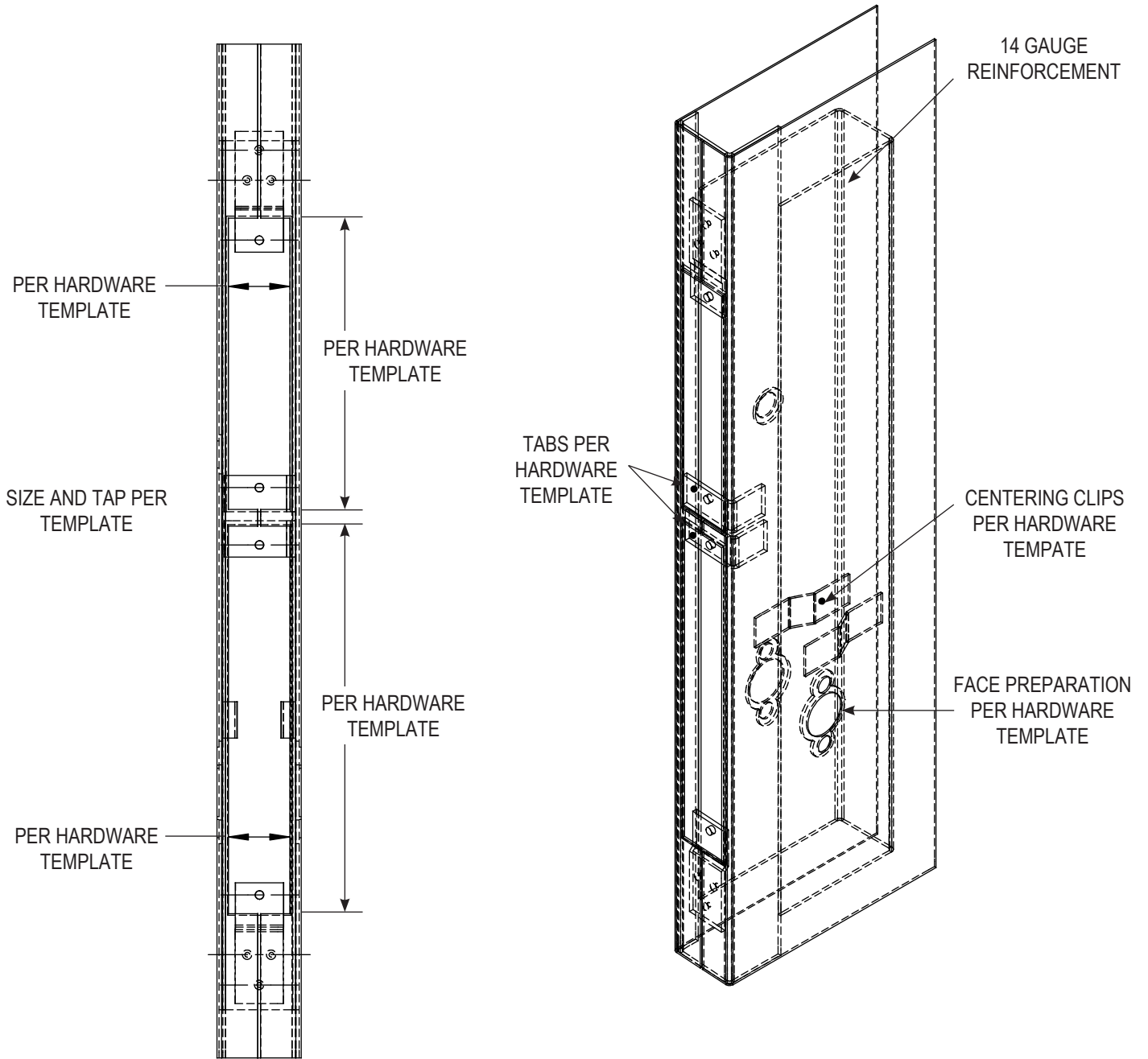


April, 2002





June, 2021



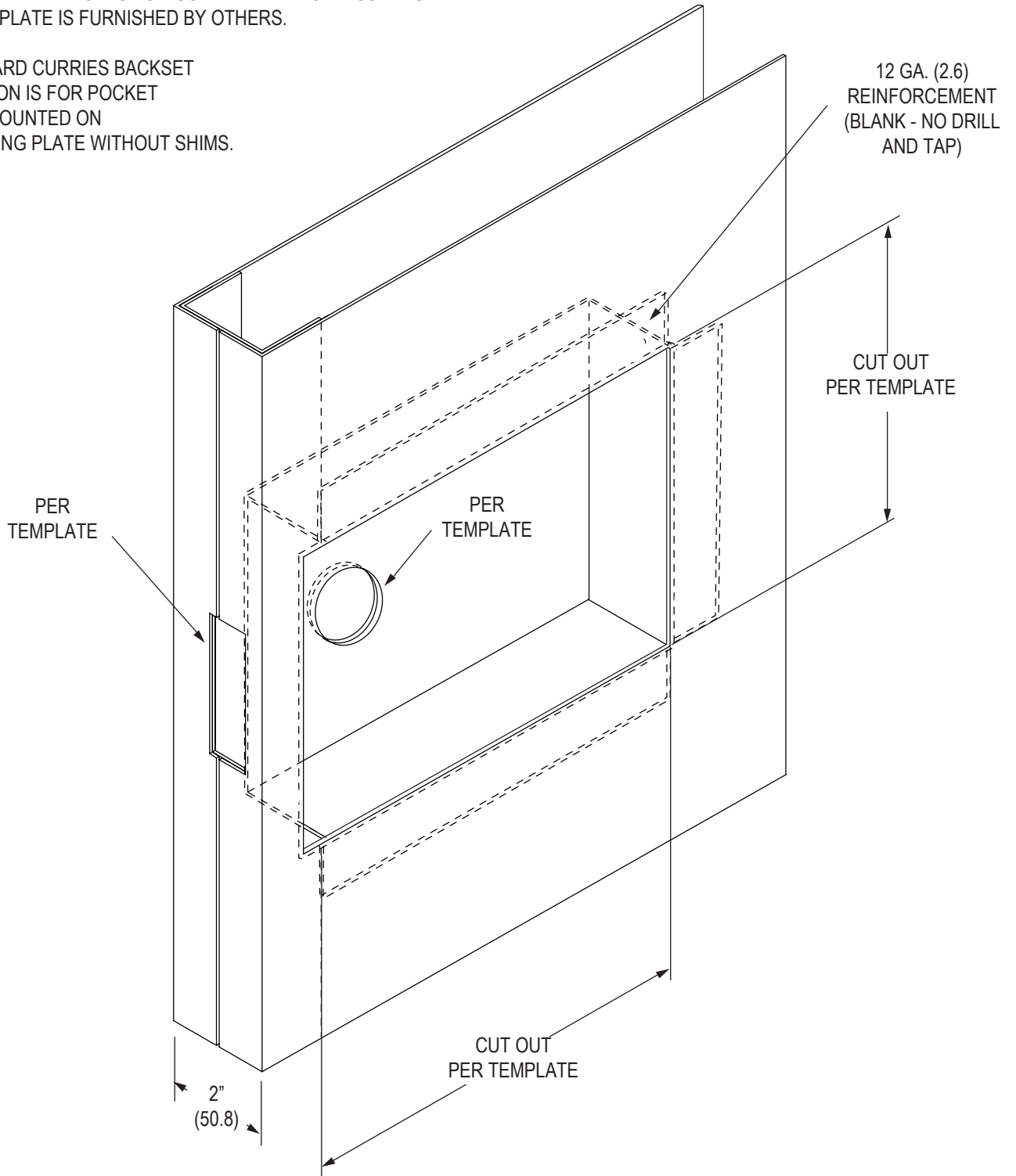
HARDWARE MUST BE TEMPLATED FOR USE IN HOLLOW METAL APPLICATIONS.



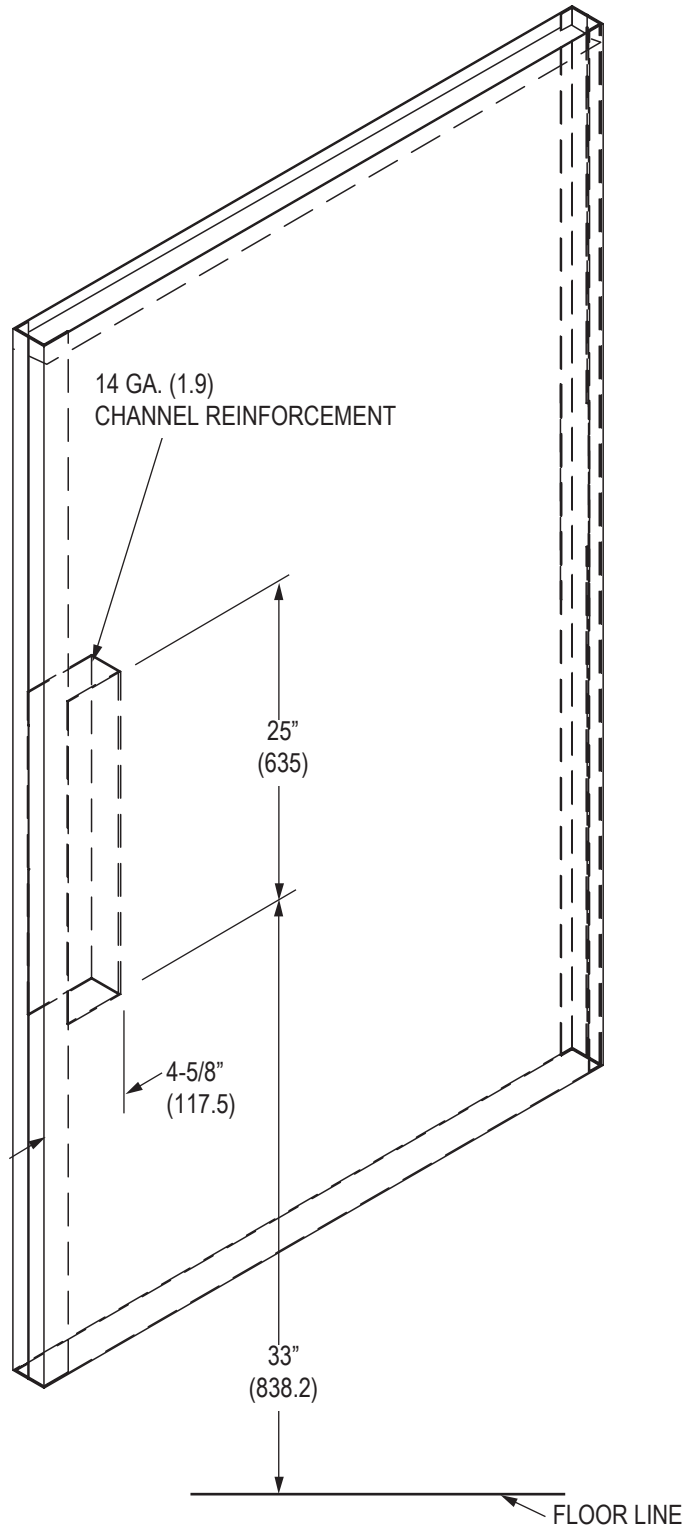
2" DOOR

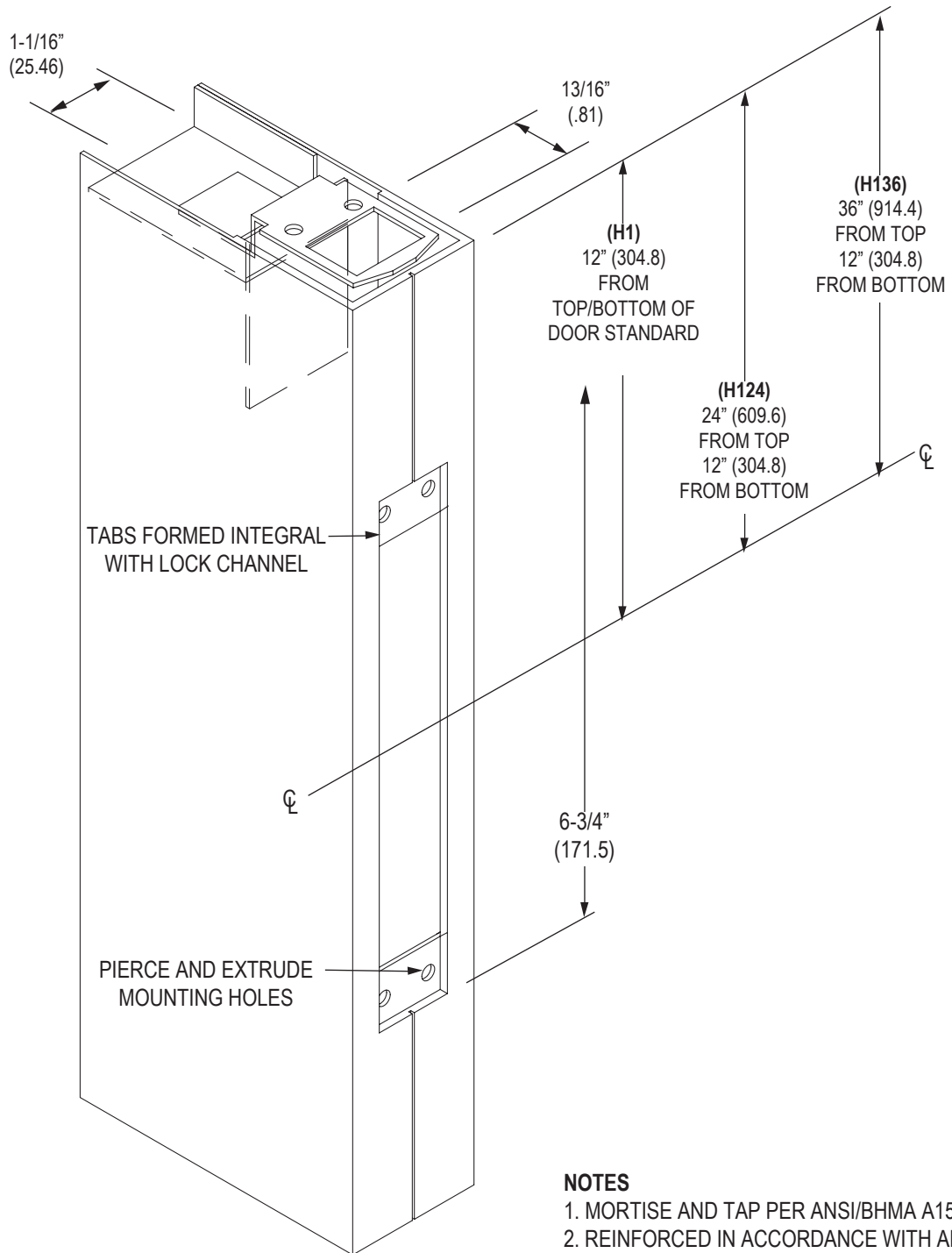
LOCK PREPARATION IS FOR COVER PLATE TO BE SURFACE APPLIED.
COVER PLATE IS FURNISHED BY OTHERS.

STANDARD CURRIES BACKSET
LOCATION IS FOR POCKET
LOCK MOUNTED ON
MOUNTING PLATE WITHOUT SHIMS.



April, 2002





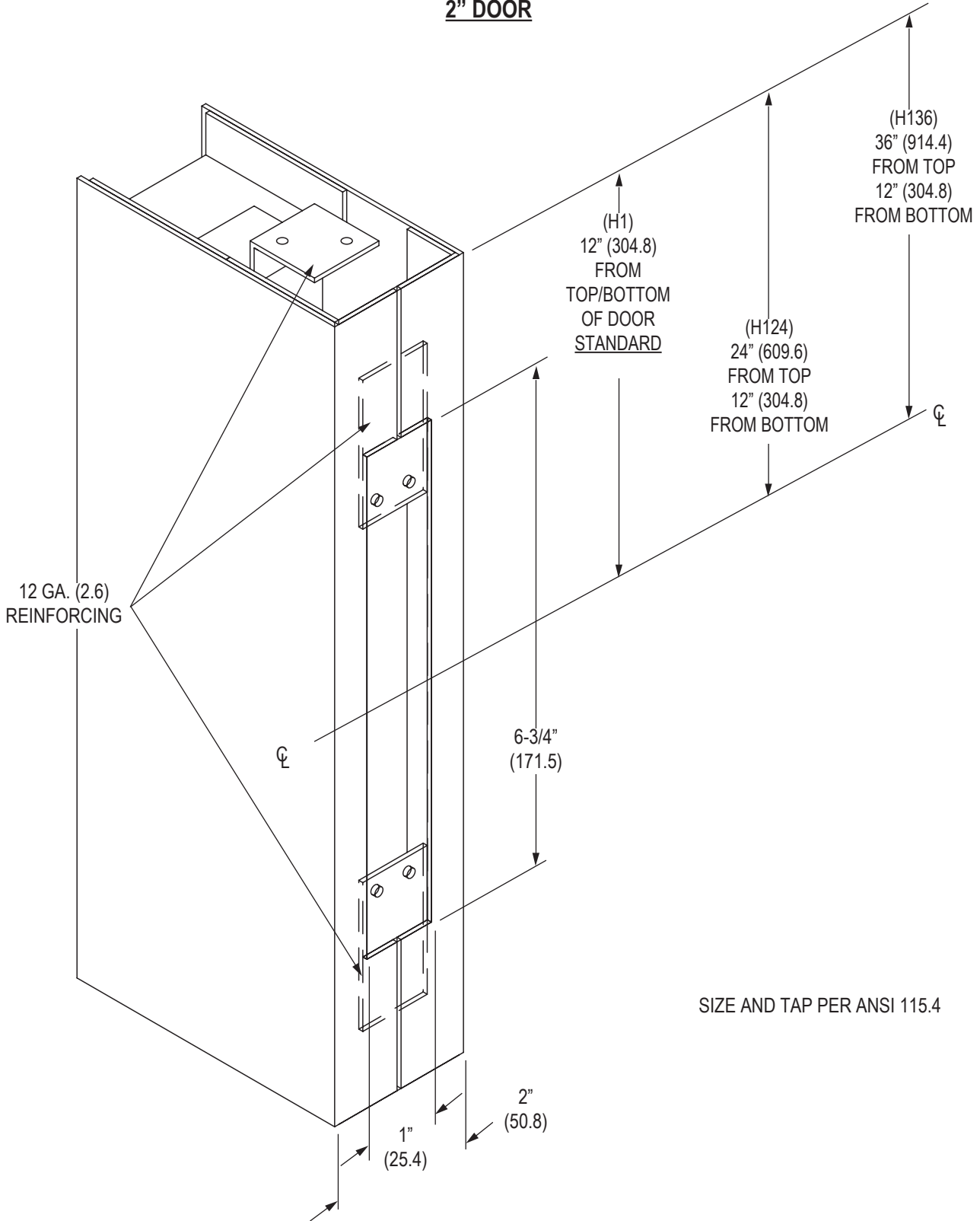
857 H1 ANSI Mortise Flush Bolt Preparation

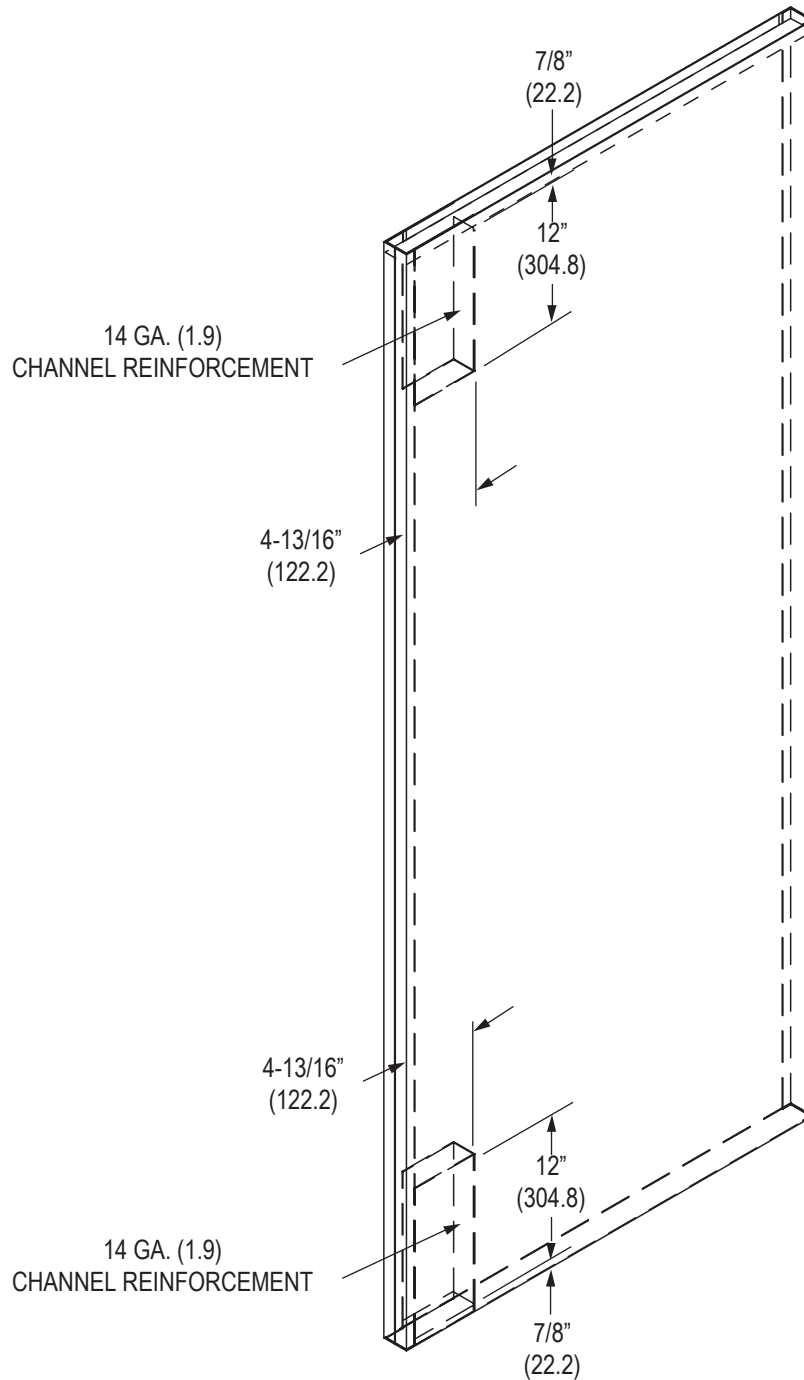
Door Technical Data

April, 2002



2" DOOR

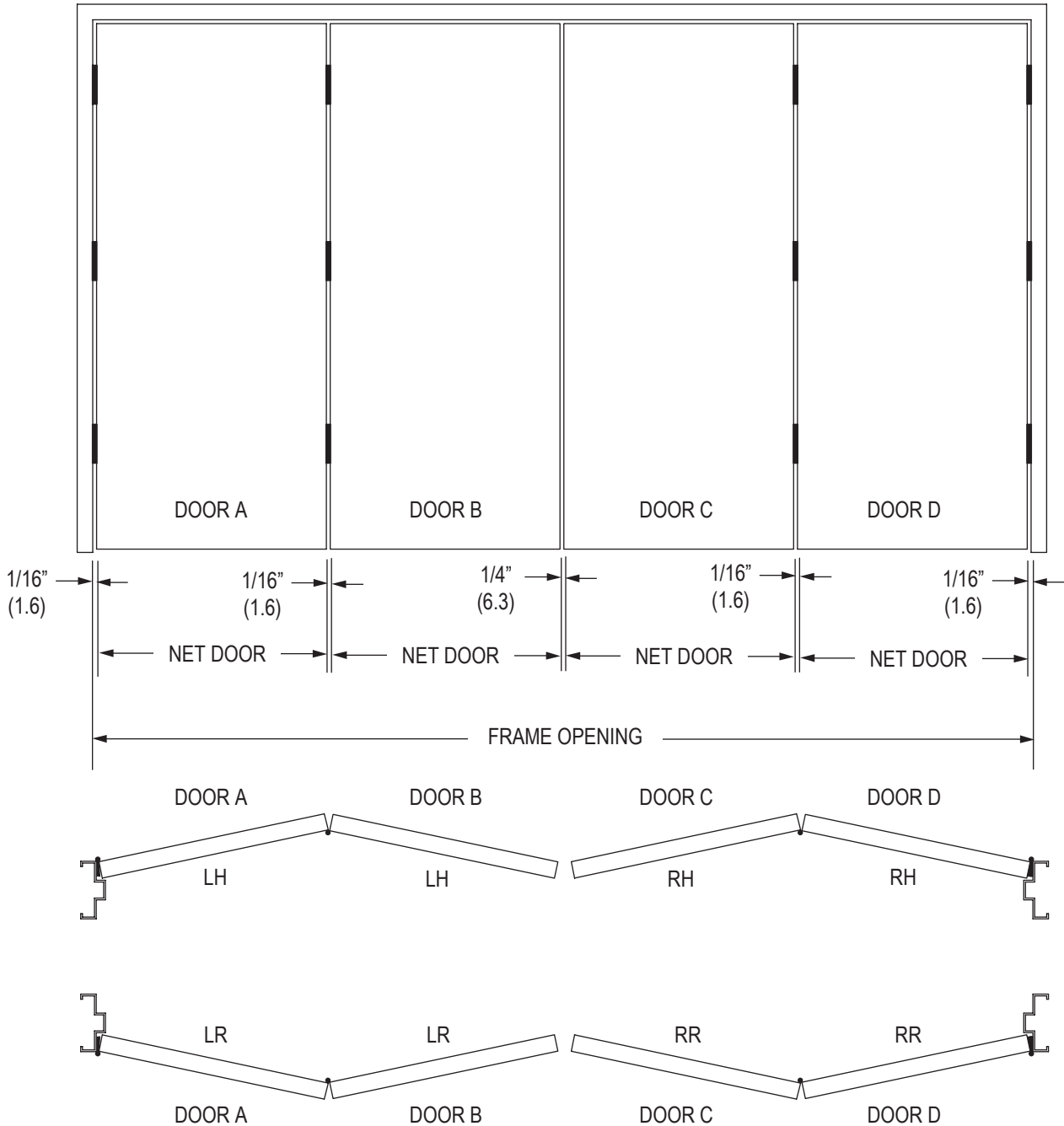




December, 2012



2 PAIR

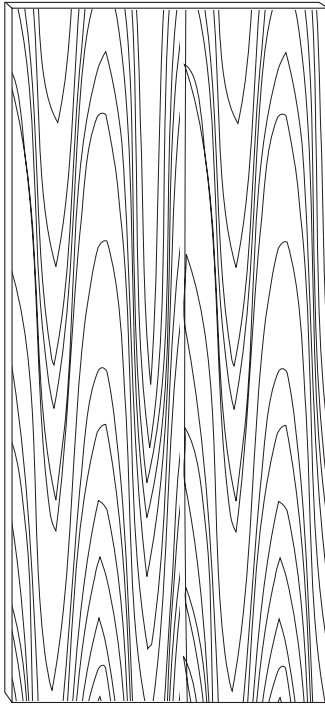


STANDARD CLEARANCES SHOWN WITH SQUARE EDGE DOORS AND MORTISE HINGES. HARDWARE APPLICATIONS CAN CHANGE STILES, BEVELS, AND BOTTOM UNDERCUT. ALWAYS ADVISE FACTORY OF FRAME SIZE AND COMPLETE HARDWARE SET WHEN ORDERING.

CURRIStain and CURRIStain Smooth Grain (SG) Door with “h” Astragal

Door Technical Data

June, 2023



CURRIStain (A1) 18 (1.1) or 16 (1.3) gauge galvaneal steel with .005” deep oak wood grain embossment
CURRIStain SG (A2) 18 (1.1) or 16 (1.3) gauge galvanized smooth steel with tight grain stain design similar to cherry or maple.

Available 707 or 727 series “S” edge seam only.
 4'0" x 9'0" (1219 x 2743.2) max. door size for 707.
 4'0" x 8'0" (1219 x 2438.4) max. door size for 727.
 Type 1 and Type 2 window kits available.

CURRIStain and CURRIStain SG Finish Colors

Natural	Cocoa
Wheat	Cabernet
Cashew	Java



**CURRIStain
Embossed**



**CURRIStain
Smooth Grain**

Custom Color Match

Custom stain color matching is available. Send physical sample to be matched to your Customer Service Professional. Additional lead-times may apply.

Stain – Stains used are solvent based products. Uniform application of stain by spraying 1 mil thickness over the entire door surface area and removing the excess stain by brushing or wiping the surface to obtain the desired color and effect. Six standard color choices are available (natural, wheat, cashew, cocoa, cabernet, or java). Custom color matching available for virtually any color.

Topcoat – A urethane with UV inhibitors topcoat is spray applied evenly across the surfaces. This UV resistant topcoat provides excellent resistance to normal wear and abuse. This topcoat is proven to be a solid performer for exterior as well as interior installations. The coating system was successfully tested to ANSI Standard A250.3.

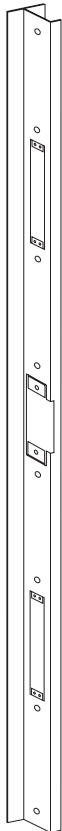
Warranty – CURRIES steel doors have a warranty for one year on materials and craftsmanship after delivery to the jobsite. CURRIStain factory finish products include this one year warranty. Incidental nicks and scratched may be repaired using touch up “pens” available from the CURRIES factory.

Note: Substitute door series 727 for 707 when temperature rise listed openings are required. 727 doors use a “temperature rise core” in lieu of polystyrene, honeycomb core, or QMAX (thermally enhanced) core.

Specifications – Stainable wood grained steel doors shall be as manufactured by CURRIES, Mason City, Iowa. Doors shall be 707 and 727 series construction with continuous hinge and lock channel construction the full height of the door. Hinge and lock mounting preparations are integrally formed into these channels. Inverted top and bottom channel construction provides a full perimeter channel door infrastructure with door face skins supported by either a polystyrene, honeycomb core, or QMAX (thermally enhanced) core permanently bonded to the face skins as required for insulating values on all openings. Doors shall be manufactured of galvaneal steel for corrosion resistance. Door face skins can be grained .005 deep or wood grain stain design on smooth steel with the color requested by the building owner. Doors are available handed as single doors or pairs of doors with or without fire resistance ratings. Doors are factory stained and sealed with the owner’s choice of CURRIES standard colors.

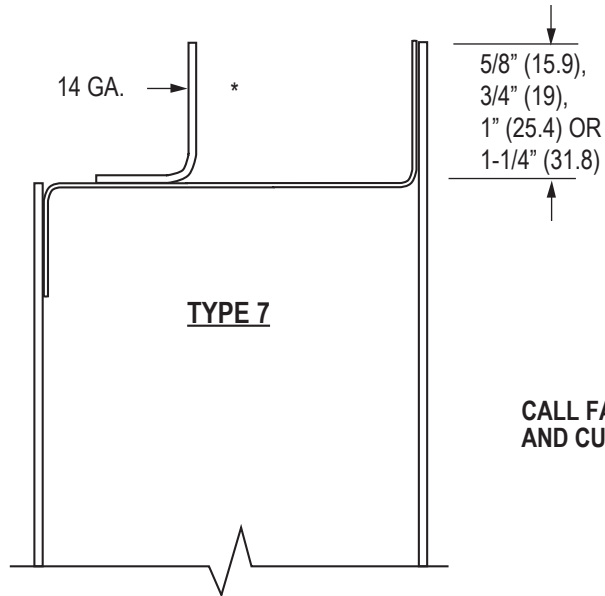
CURRIStain Astragal (code k)

“h” astragal 18 (1.1) gauge woodgrain embossment (code k). Inactive leaf preparations only! Blank, strike (E1), and or flush bolt (H1) preparations. Screw applied available for CURRIStain door only. 9° (2743.2) maximum height will fit both beveled edge and square edge doors.



July, 2014

GLASS THICKNESS		POCKET SIZE	
TYPE 1 AND 2 CURRIES AND WOODGRAIN KITS			
0.1875" to 0.25"	Standard Pocket	0.3750"	
0.3125" to 0.50"	Special Pocket	0.6250"	
0.5625" to 0.75"	Special Pocket	0.8750"	
0.8125" to 1.00"	Special Pocket	1.1250"	
TYPE 3 KIT			
0.25"	Standard Pocket	0.375"	
0.375"	Special Pocket	0.50"	
0.50"	Special Pocket	0.625"	
TYPE 4 KIT			
0.25"	Standard Pocket	0.375"	
0.375"	Special Pocket	0.50"	
0.50"	Special Pocket	0.625"	
0.625"	Special Pocket	0.75"	
0.75"	Special Pocket	0.875"	
0.875"	Special Pocket	1.00"	
1.00"	Special Pocket	1.125"	
TYPE 7 KIT			
0.25"	Standard Pocket	0.375	
0.375"	Special Pocket	0.50"	
0.5"	Special Pocket	0.625"	
0.625"	Special Pocket	0.750"	
0.75"	Special Pocket	0.875"	
TYPE 8 KIT			
0.25"	Standard Pocket	0.375	
0.375"	Special Pocket	0.50"	
0.50"	Special Pocket	0.625"	
0.625"	Special Pocket	0.75"	
0.75"	Special Pocket	0.875"	
0.875"	Special Pocket	1.00"	
1.00"	Special Pocket	1.125"	
1.125"	Special Pocket	1.250"	
1.25"	Special Pocket	1.375"	
1.375"	Special Pocket	1.50"	
1.50"	Special Pocket	1.625"	
TYPE 9 AND 10 ASSA KITS			
0.1875" to 0.3125"	Standard Pocket	0.375"	
0.375" to 0.50"	Special Pocket	0.5625"	
0.5625" to 0.75"	Special Pocket	0.8125"	
0.8125" to 1.00"	Special Pocket	1.0625"	

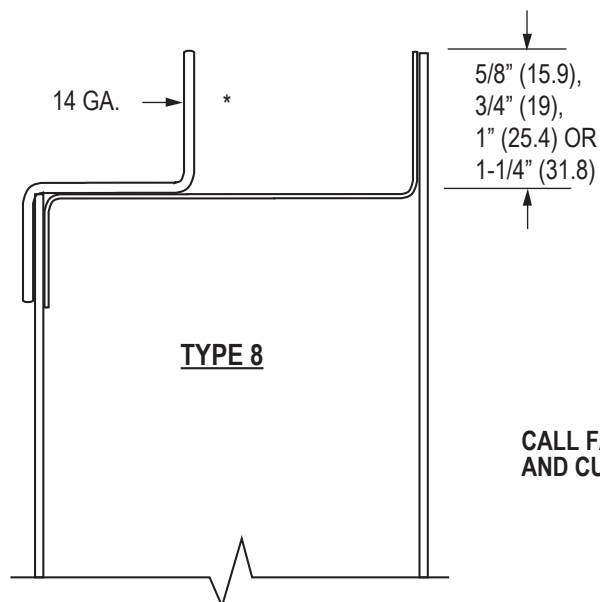


* POCKET SIZE 3/8" (9.5), 1/2" (12.7),
5/8" (15.9), 3/4" (19.1), 7/8" (22.2),
FOR 1-3/4" (44.45) DOORS

3/8" (9.5) THROUGH 1-1/8" (28.6)
IN 1/8" INCREMENTS FOR 2" (50.8)
DOORS

**CALL FACTORY FOR GLASS
AND CUTOUT SIZE**

GLASS THICKNESS PLUS .125 = POCKET

Glass Moulding Type 8

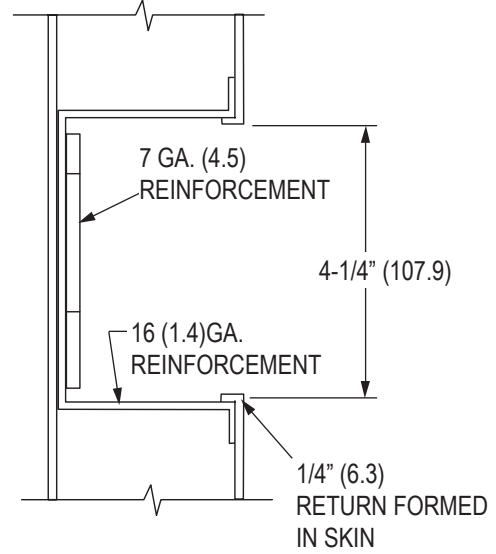
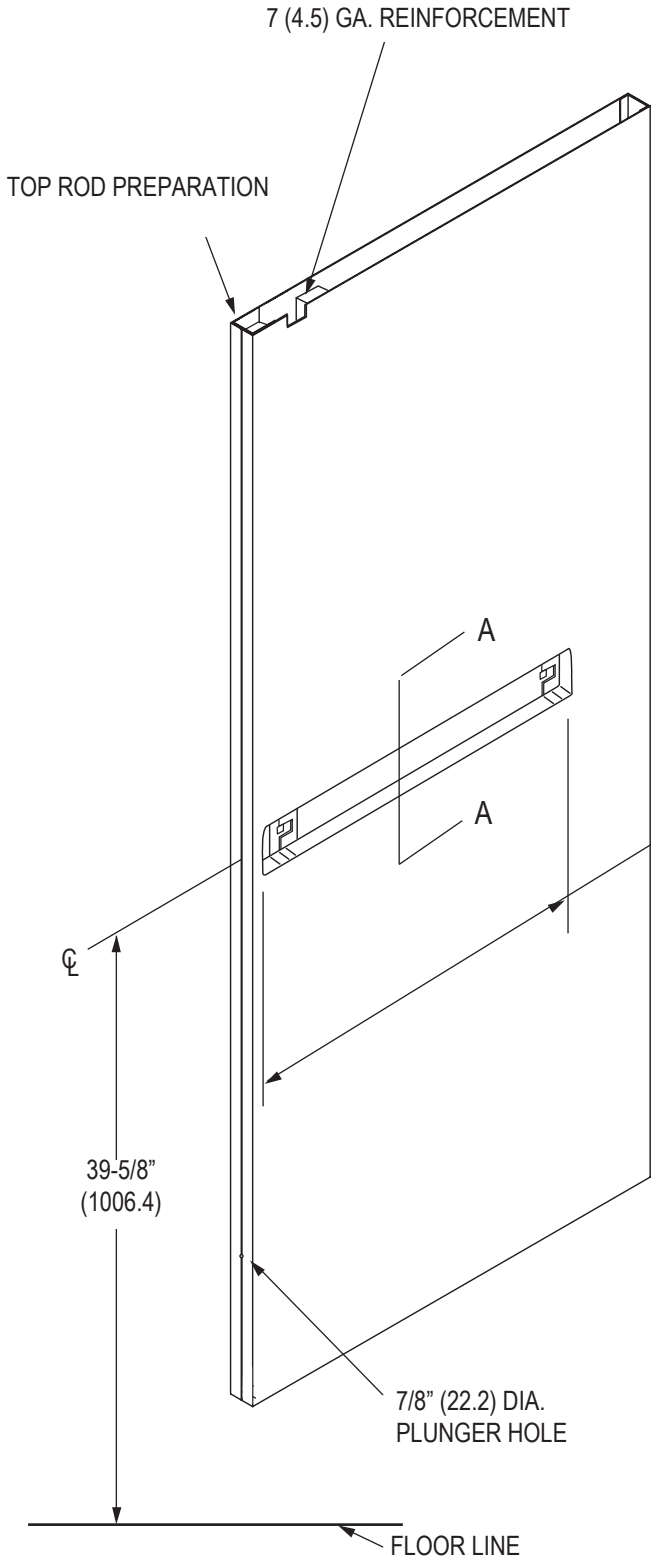
* POCKET SIZE
3/8" (9.5), THROUGH 1-5/8" (41.3)
FOR 1-3/4" (44.5) DOORS

3/8" (9.5) THROUGH 1-7/8" (47.6)
IN 1/8" INCREMENTS FOR 2" (50.8)
DOORS

**CALL FACTORY FOR GLASS
AND CUTOUT SIZE**

GLASS THICKNESS PLUS .125 = POCKET

June, 2004



SECTION A-A

CUTOUT WIDTH
 24-5/32" (613.6)
 30-5/32" (765.9)

NOMINAL DOOR WIDTH, W *
 2'6" (762.0) ≤ W < 2'10" (863.6)
 2'10" (863.6) ≤ W ≤ 5'0" (1524)

THE DEVICE IS FIRE RATED FOR USE ON PAIRS UP TO 8'0" X 10'0", 3 HOURS DOUBLE EGRESS DOORS AND 90 MINUTE DOORS SWINGING IN THE SAME DIRECTION.

* STANDARD HINGE AND LOCK CLEARANCES

1-3/4" (44.4) DOOR ONLY
NOT AVAILABLE ON:
 EMBOSSED PANEL DOORS
 20 (.91) GAUGE DOORS
 607 SERIES DOORS
 737 SERIES DOORS
 2" (50.8) THICK DOORS

THE CURRIES ELECTROLYNX CABLE IS EQUIPPED WITH THE ELECTROLYNX SYSTEM OF PLUG IN CONNECTORS FOR FAST, EASY, CONNECTION TO SIMILARLY EQUIPPED ASSA ABLOY HARDWARE. THE ELECTROLYNX CABLE HAS 12 CONDUCTORS OF 22 GA. WIRE IN A JACKET, WITH ELECTROLYNX CONNECTORS ON THE HARDWARE PREP END ONLY. POWER OVER ETHERNET (POE) CABLES ARE ALSO AVAILABLE.

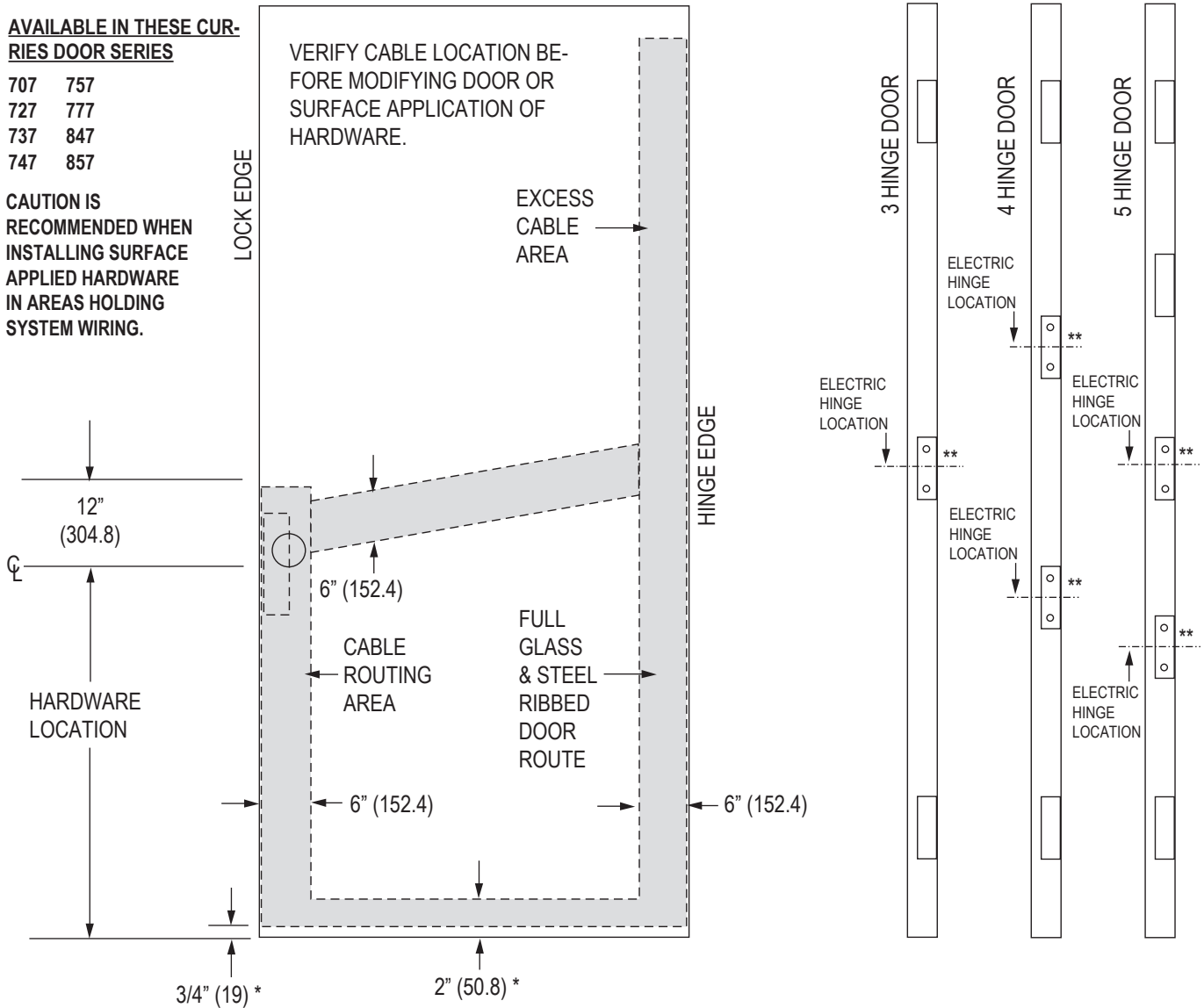


NEITHER CABLE WILL FIT OUR RACEWAY. RACEWAY IS INTENDED FOR PULLING NONJACKETED INDIVIDUAL CONDUCTORS.

AVAILABLE IN THESE CURRIES DOOR SERIES

707	757
727	777
737	847
747	857

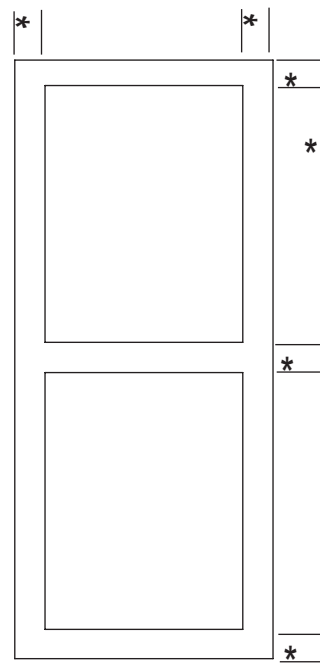
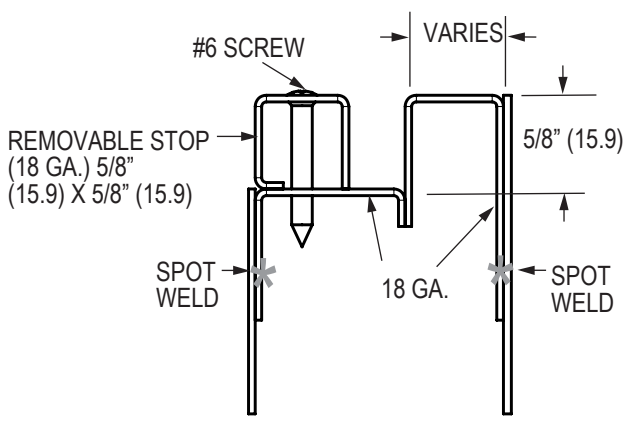
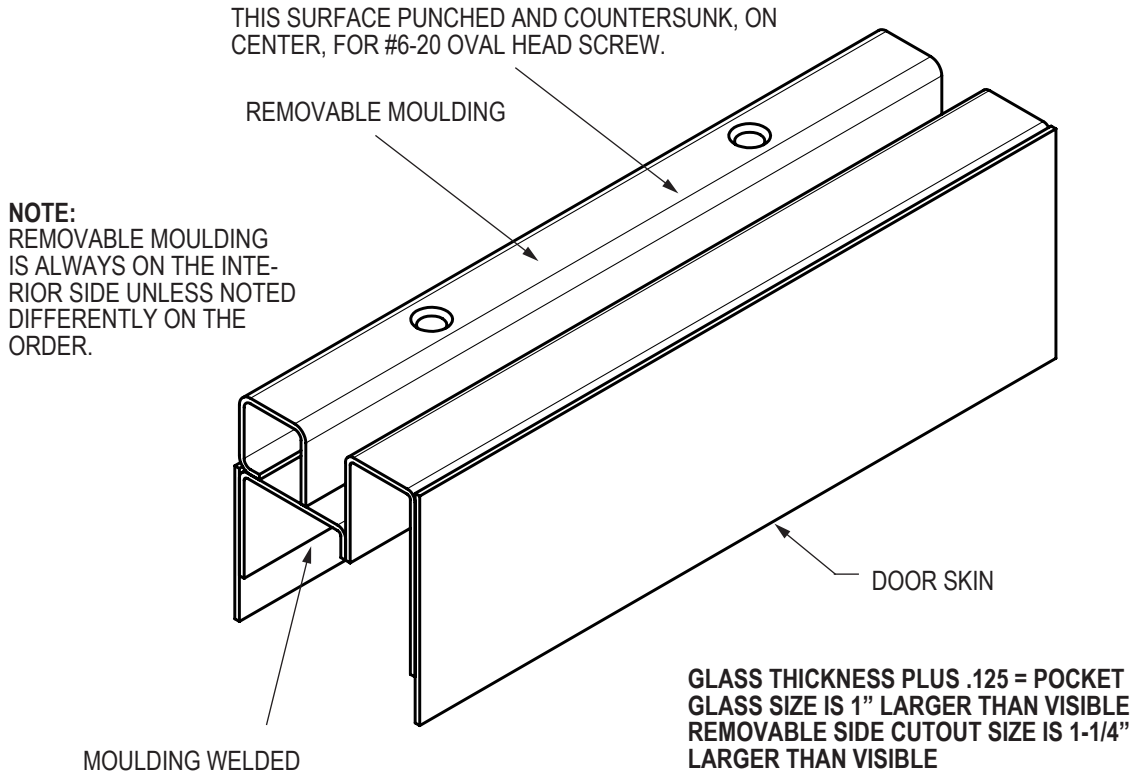
CAUTION IS RECOMMENDED WHEN INSTALLING SURFACE APPLIED HARDWARE IN AREAS HOLDING SYSTEM WIRING.



* BASED ON 3/4" (19) END CHANNEL DEPTH. VARIES FOR HARDWARE MOUNTED IN BOTTOM OF DOOR (EG-DOOR BOTTOMS).

** MINIMUM OF THREE HINGES WHEN ELECTROLYNX CABLE IS ORDERED. STANDARD LOCATION SHOWN. SOME HARDWARE AND TRIM COMBINATIONS WILL REQUIRE MULTIPLE ELECTROLYNX CABLES. ADDITIONAL ELECTRIC HINGE PREPARATIONS FOR MULTIPLE ELECTOLYNX CABLES ARE REQUIRED.

3/8" (9.5), 1/2" (12.7), AND 5/8" (15.8) POCKETS ONLY
 1-3/4" (44.5) DOORS ONLY

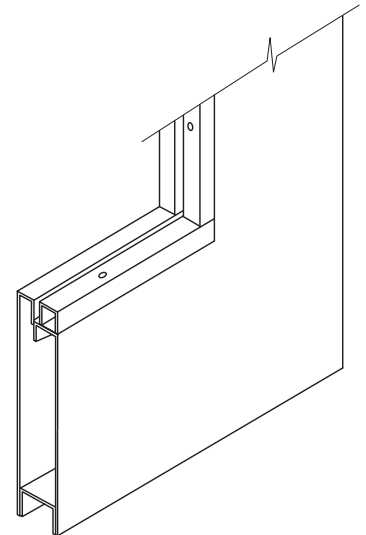
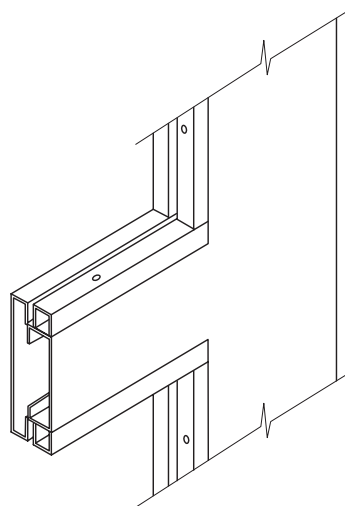
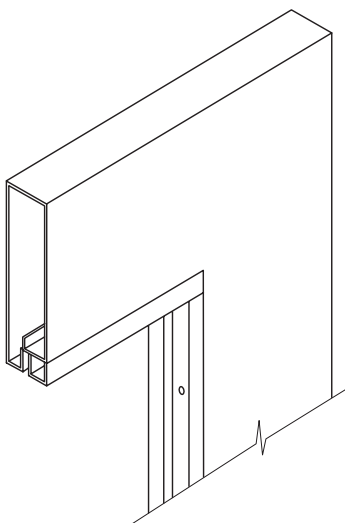
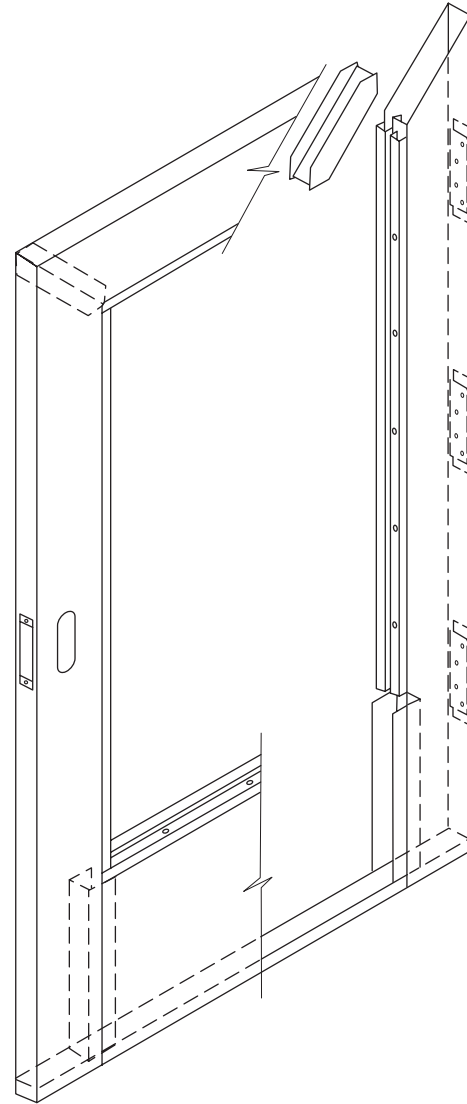


* 3-1/8" (79.3) MINIMUM STILE AND RAIL AVAILABLE WITH TYPE 11 MOULDING. "NO FIRE LISTING," LIMITED HARDWARE.



- 16 GA. INSULATED TUBULAR STEEL
- FLUSH TOP
- CONTINUOUSLY WELDED CORNERS
- FLUSH GLAZING
- 5-5/8" STILES AND TOP RAIL
(OPTIONAL 3-5/8" and 7-5/8")
- 12-5/8" BOTTOM RAIL
(OPTIONAL 10-5/8", 14-5/8"
OR 16-5/8")
- OPTIONAL CENTER RAIL
- BEVELED LOCK & HINGE EDGE

NOTE: RACEWAYS, ELECTRIC HINGES, OR EPT PREPS
ARE NOT ALLOWED



June, 2013

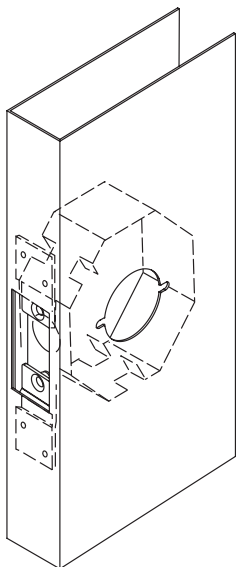


TOP RAIL – FLUSH SEAMLESS DESIGN, 5-5/8" RAIL STANDARD, 3-5/8" RAIL AND 7-5/8" OPTIONAL

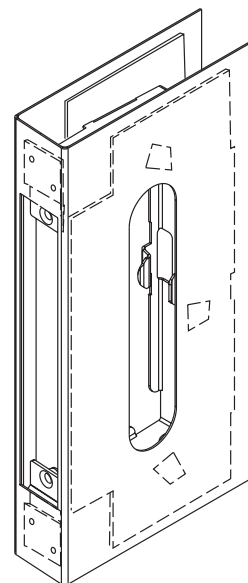
OPTIONAL CENTER RAIL – FLUSH SEAMLESS DESIGN, 5-5/8" RAIL STANDARD, 3-5/8" RAIL AND 7-5/8" OPTIONAL

BOTTOM RAIL – FLUSH SEAMLESS DESIGN, 12-5/8" BOTTOM RAIL STANDARD, 10-5/8", 14-5/8" OR 16-5/8" RAIL OPTIONAL

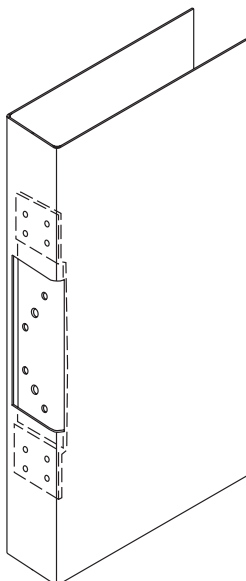
CYLINDRICAL LOCK
 (ANSI A115.2)
 2-3/4" BACKSET
 GOV. 160/161



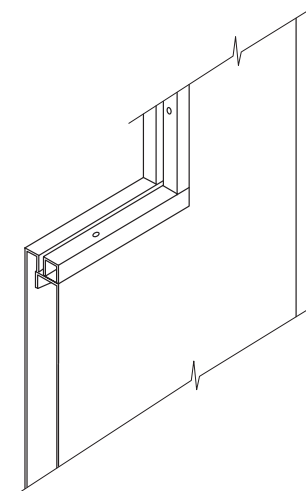
MORTISE LOCK
 (ANSI A115.1)
 2-3/4" BACKSET
 GOV. 86



HINGE PREPARATION
 4-1/2" OR 5" HIGH STANDARD OR
 HEAVY WEIGHT,
 FULL MORTISE
 ANSI A156.7,
 HANDED

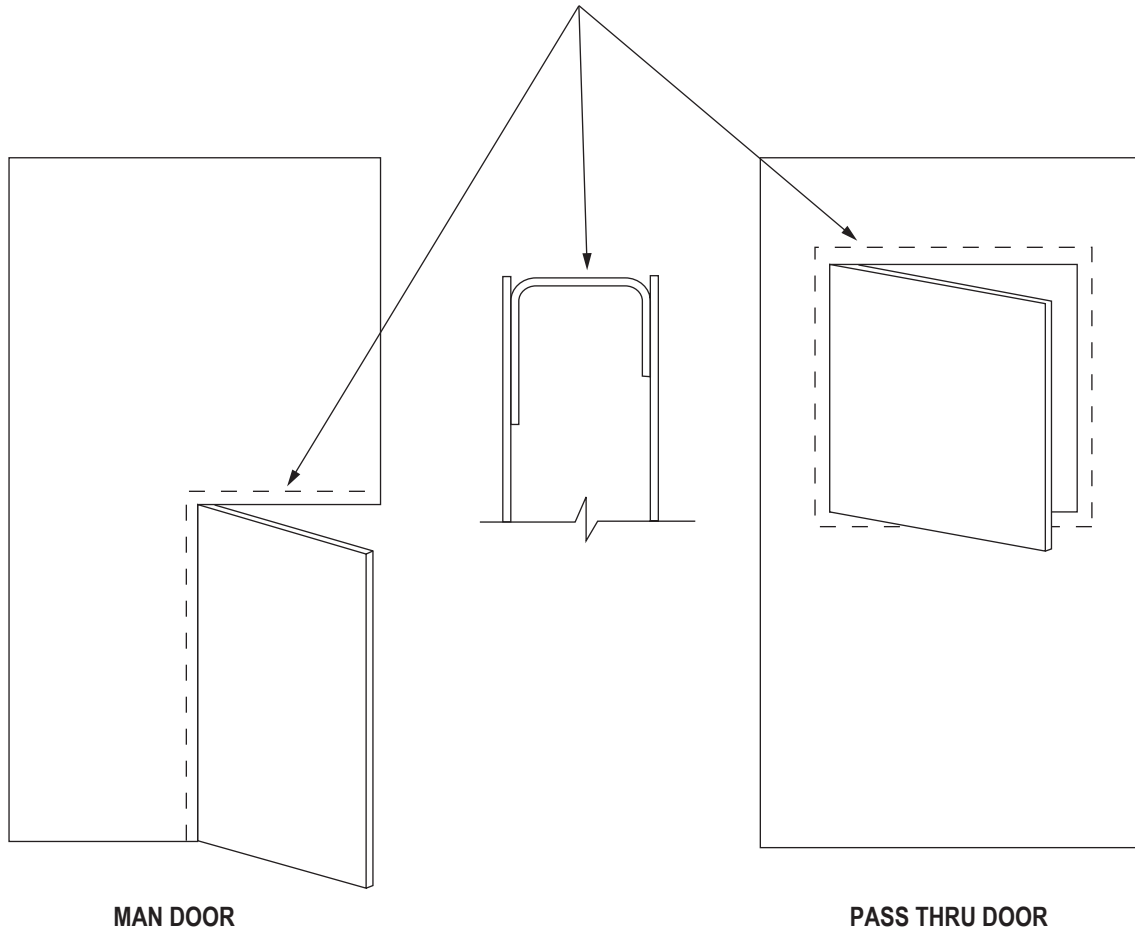


FLUSH GLAZING
 INTEGRAL FLUSH GLAZING
 WITH REMOVABLE GLASS BEAD



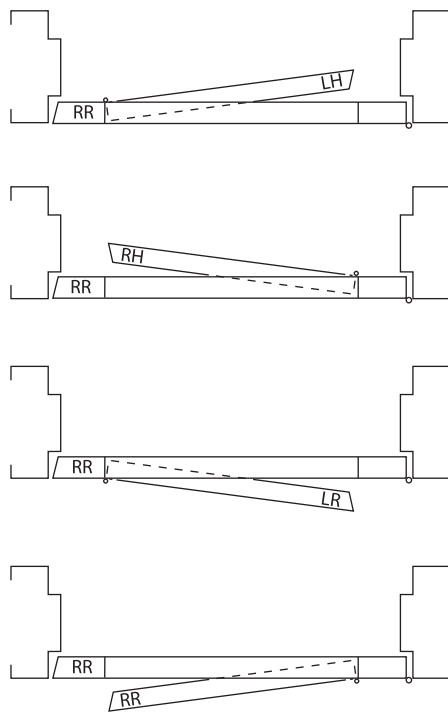
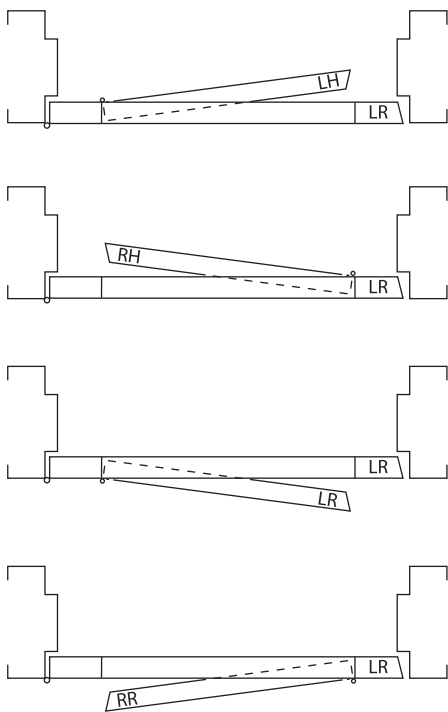
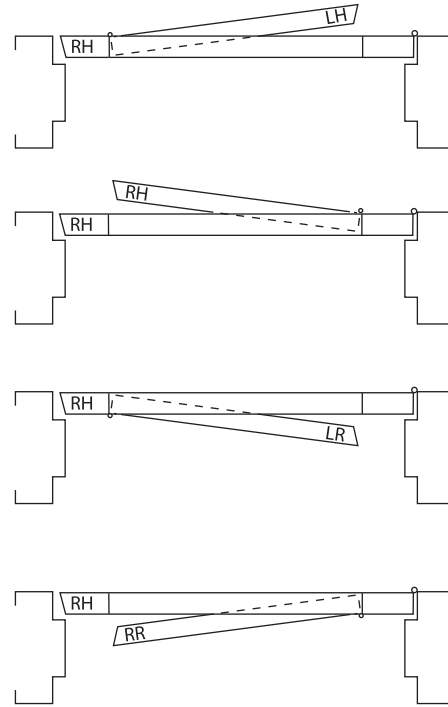
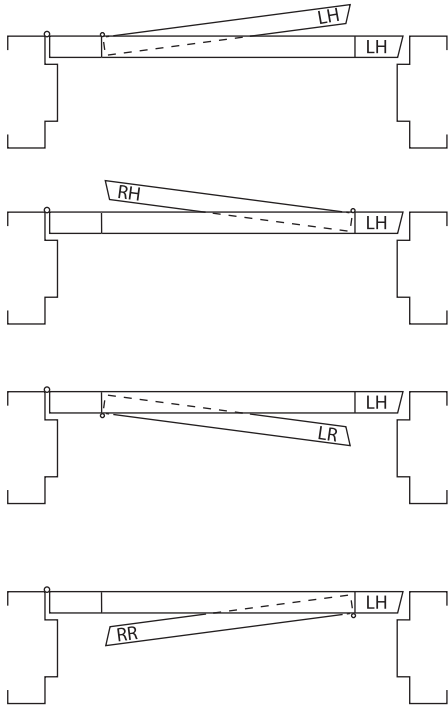


14 GA. (1.9) CHANNEL SURROUND FLUSH WITH SEAM EDGE NEXT TO SKINS



- DOOR IN A DOOR - 2 DOORS
- USE NEXT SIZE DOOR UP FOR EACH DOOR.
- LARGER DOOR MUST BE 747 CONSTRUCTION.
- MOST HINGE AND LOCK PREPARATIONS ARE AVAILABLE.
- EACH WICKET DOOR ASSEMBLY MUST BE ENGINEERED FOR PRACTICAL APPLICATION AND CLEARANCES TO ENSURE QUALITY PRODUCT SATISFACTION.

April, 2006

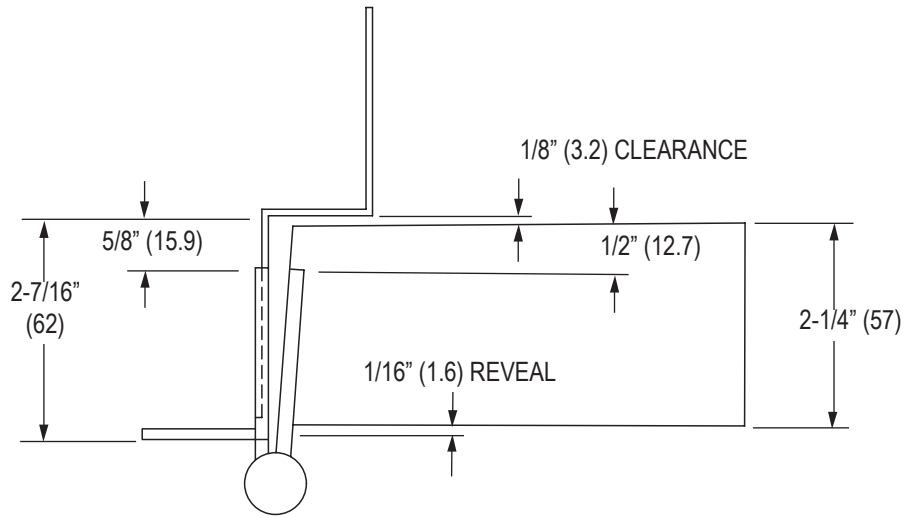




STANDARD HINGE BACKSET

2-1/4" DOOR

"G" BEVEL DOOR SHOWN

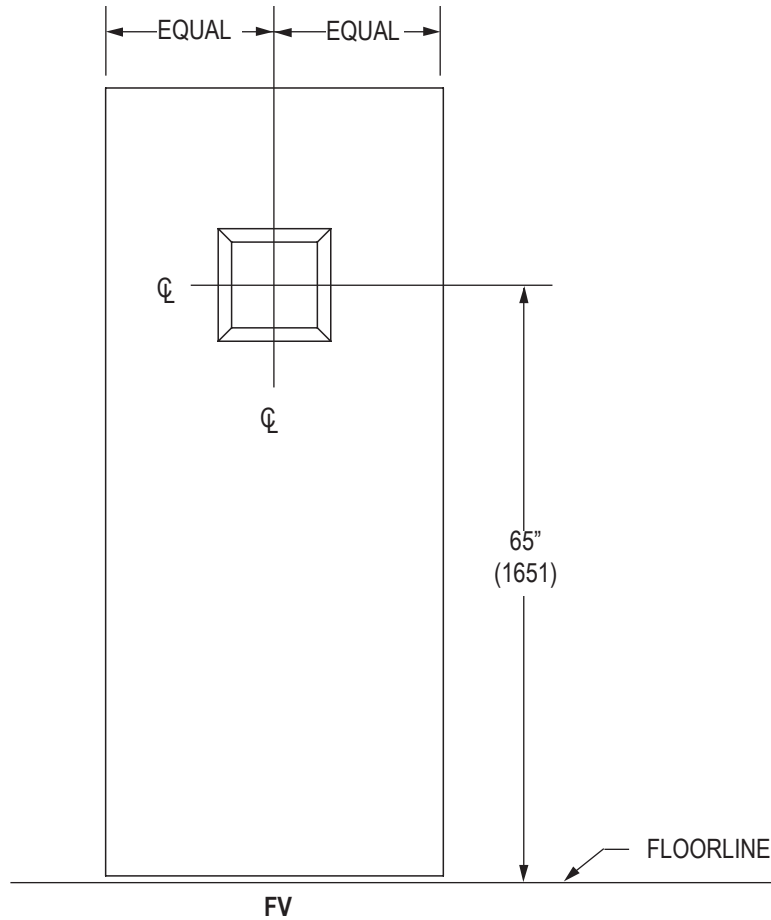


NOTE: TYPE 3 AND 4 CONCEALED MOULDING ONLY

February, 2010



Type 9 & 10 Window Moulding

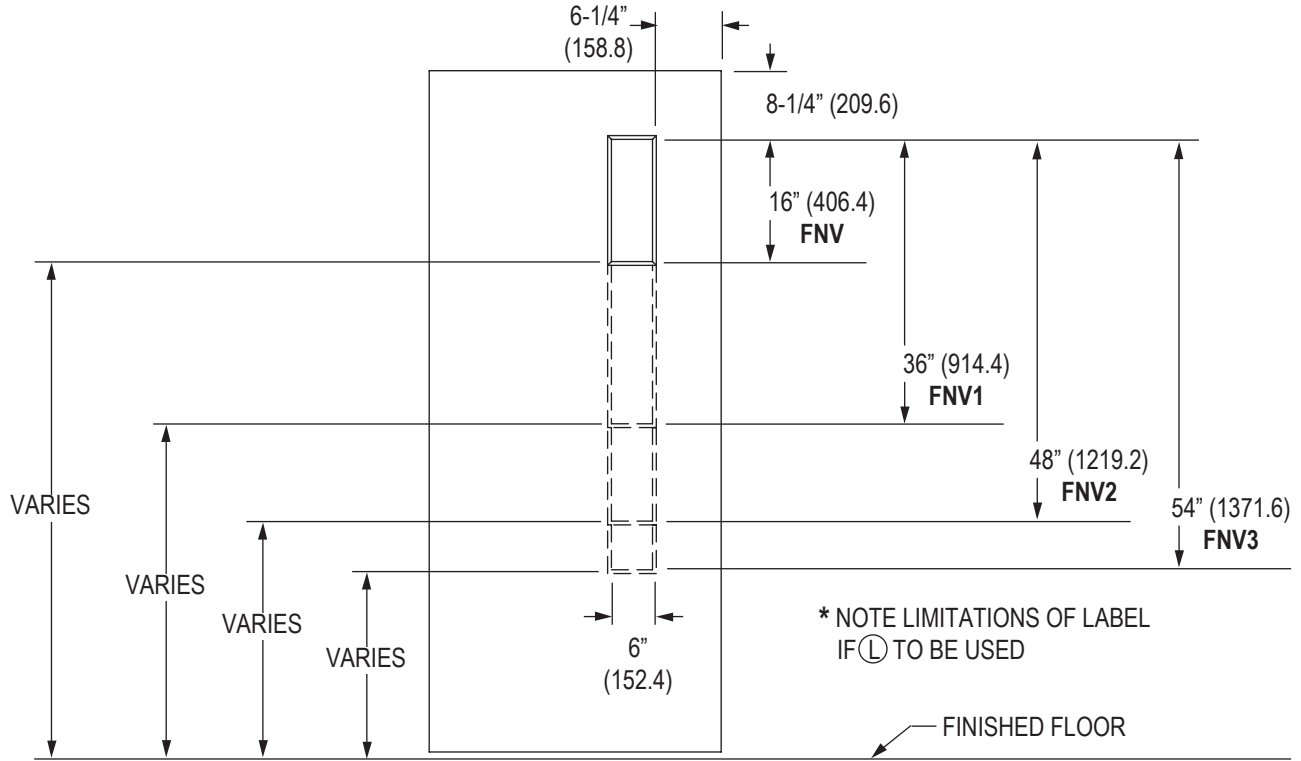


FV	10" (254) X 10" (254)
FV1	12" (304.8) X 12" (304.8)

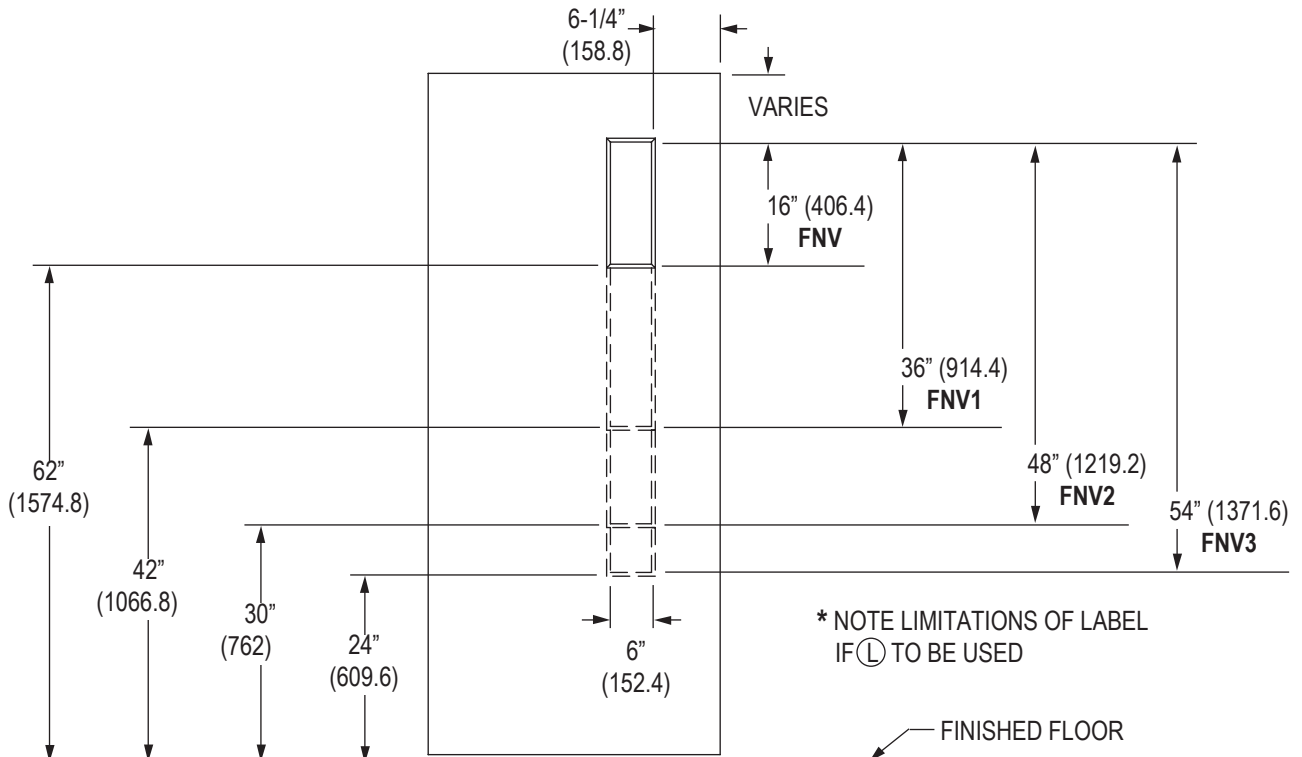
Type 9 & 10 Window Moulding



STANDARD LOCATIONS FOR DOORS 7'2" (2184.4) AND UNDER



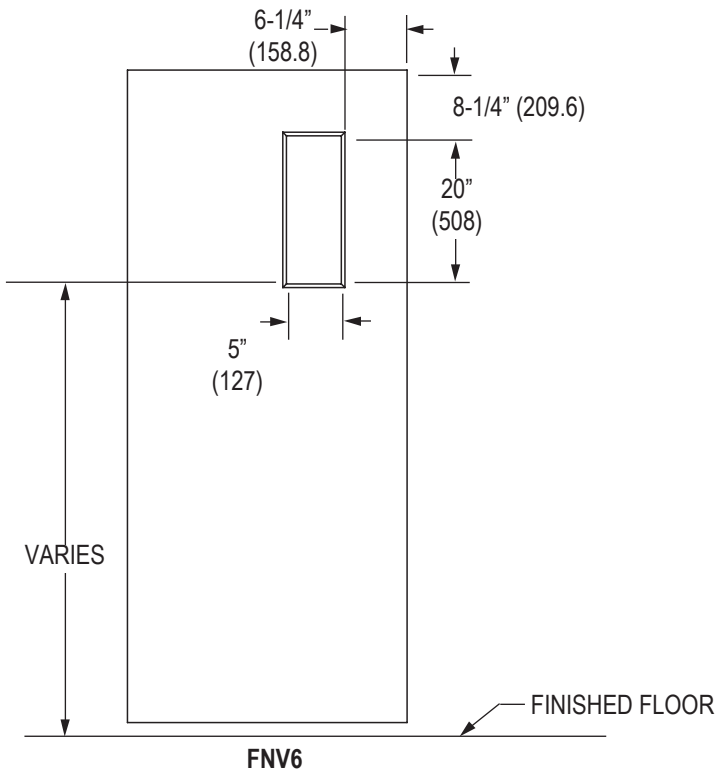
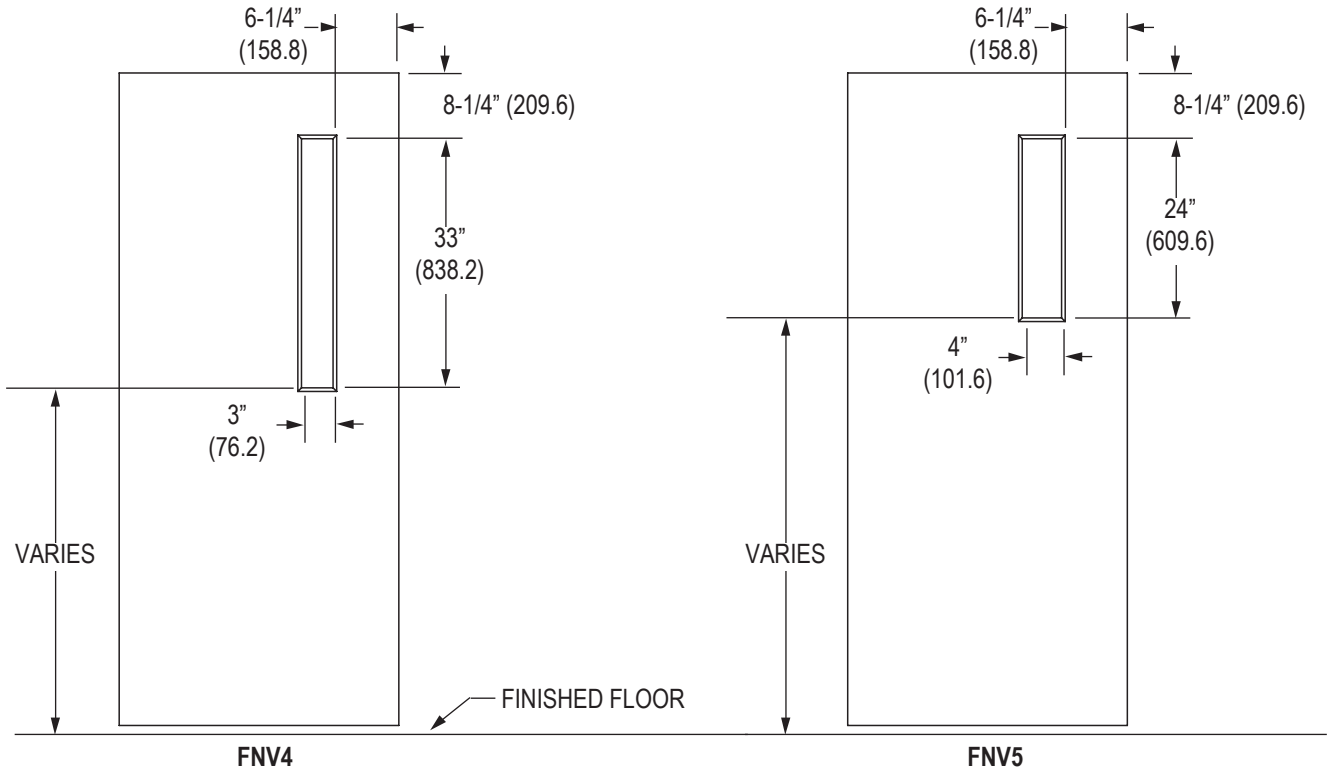
STANDARD LOCATIONS FOR DOORS OVER 7'2" (2184.4)



February, 2009

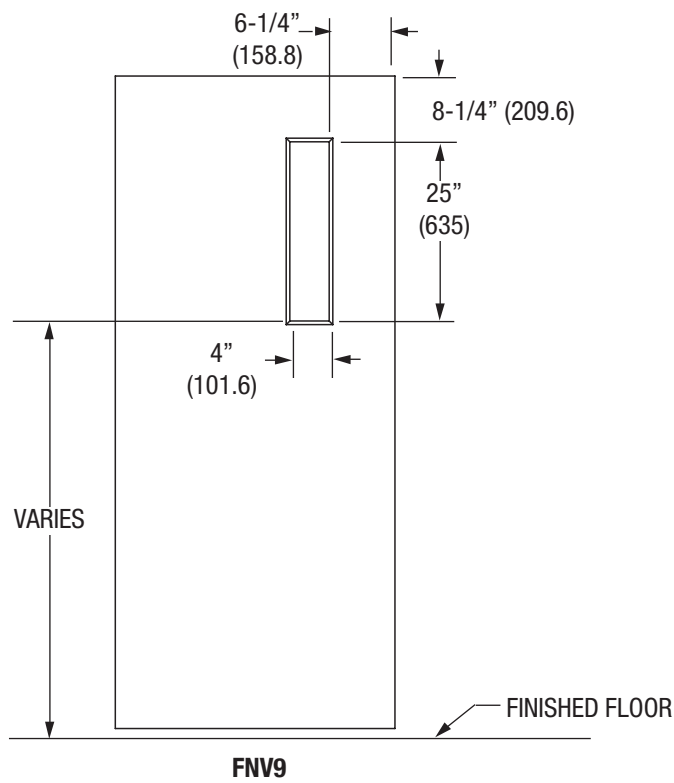
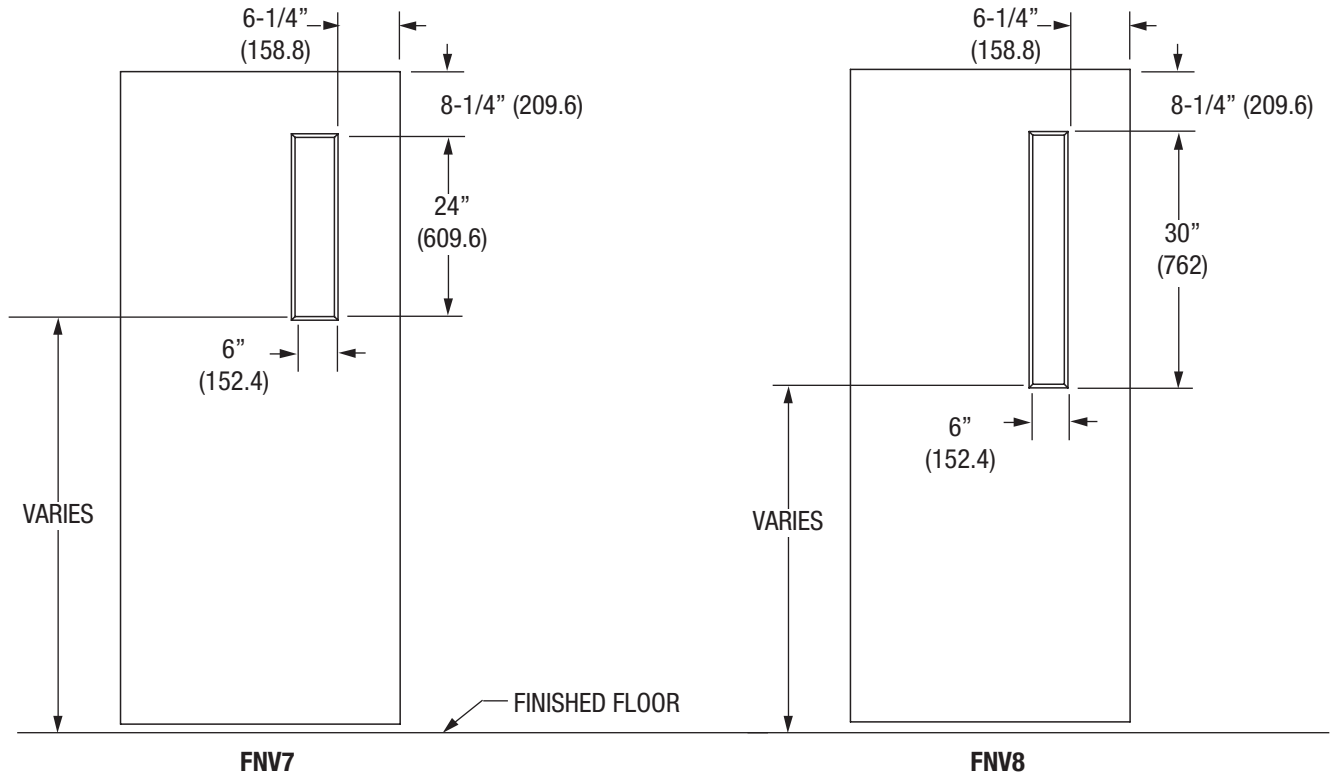


Type 9 & 10 Window Moulding



STANDARD LOCATIONS FOR DOORS 7'2" (2184.4) AND UNDER

Type 9 & 10 Window Moulding



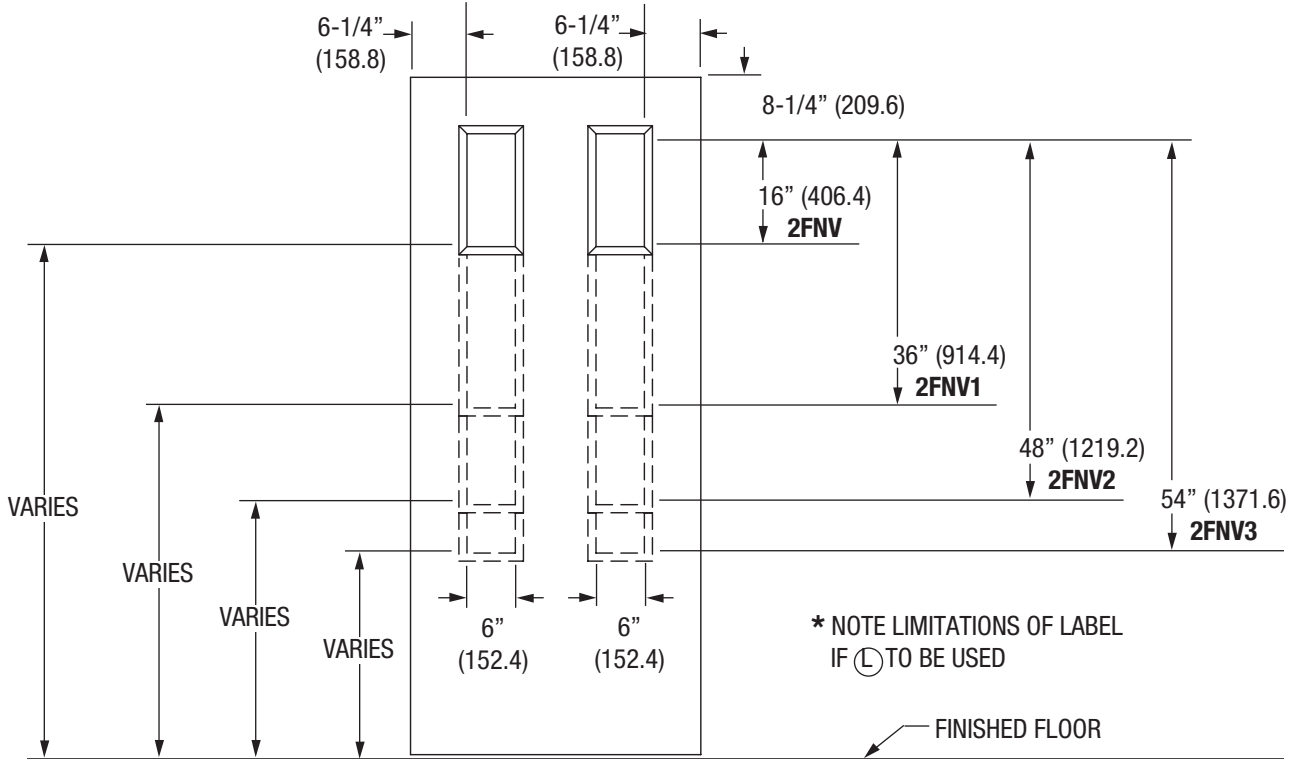
**STANDARD LOCATIONS FOR
DOORS 7'2" (2184.4) AND UNDER**

February, 2009

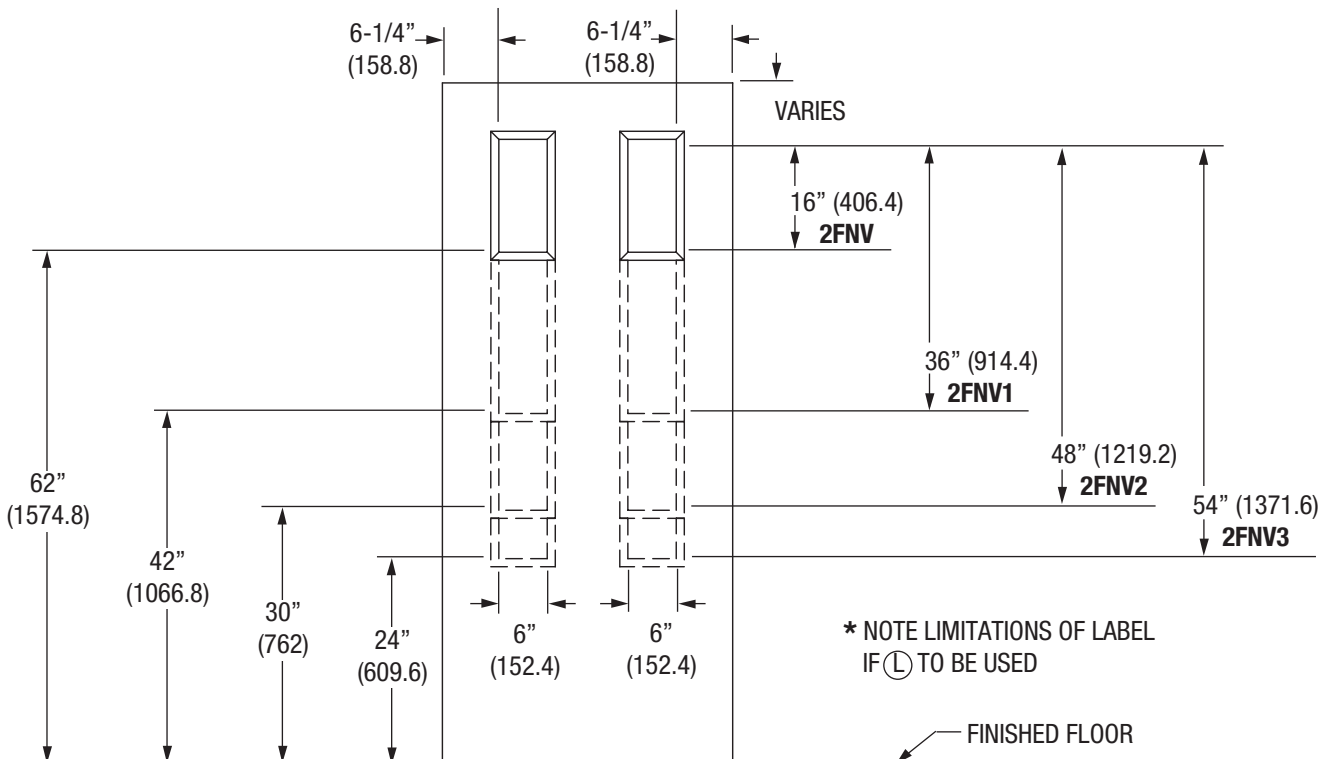


Type 9 & 10 Window Moulding

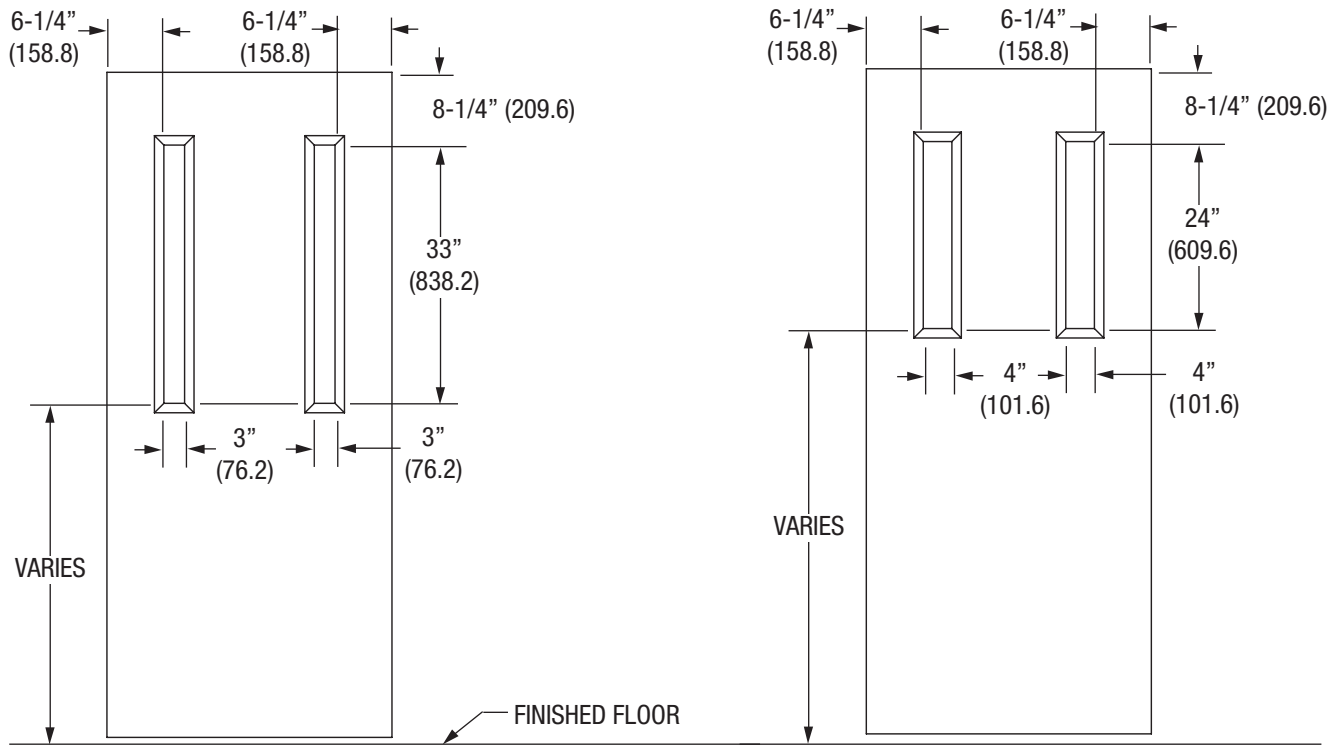
STANDARD LOCATIONS FOR DOORS 7'2" (2184.4) AND UNDER



STANDARD LOCATIONS FOR DOORS OVER 7'2" (2184.4)

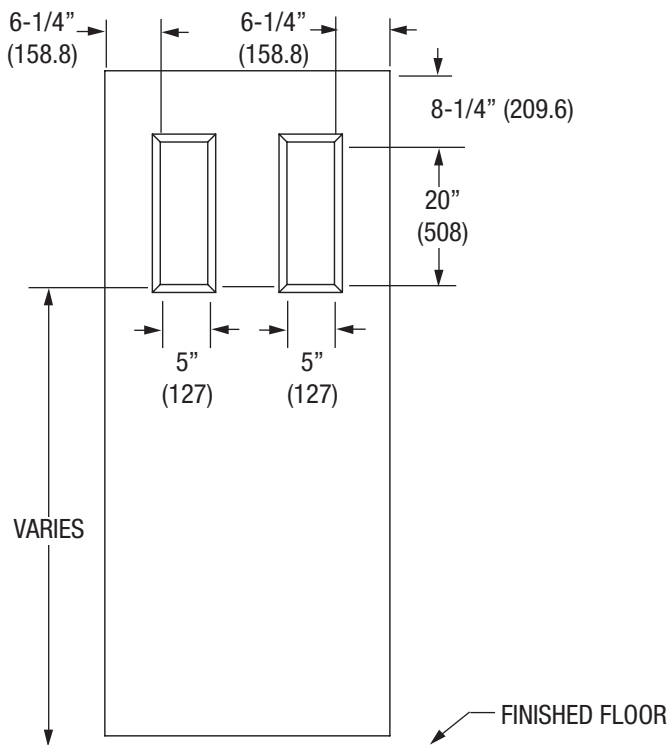


Type 9 & 10 Window Moulding



*** 2FNV4**

*** 2FNV5**



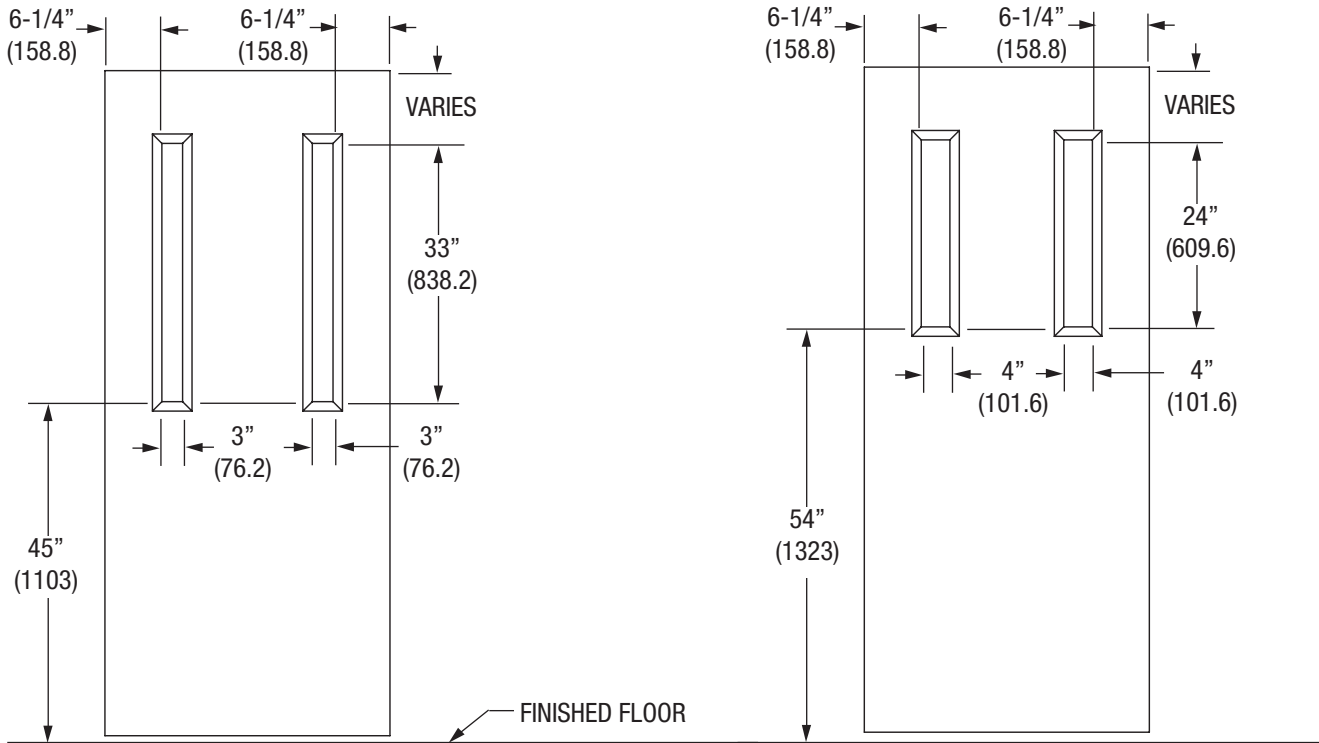
*** 2FNV6**

*** MINIMUM 6" (152.4) STILES
TO BE LABEL APPROVED**

**STANDARD LOCATIONS FOR
DOORS 7'2" (2184.4) AND UNDER**

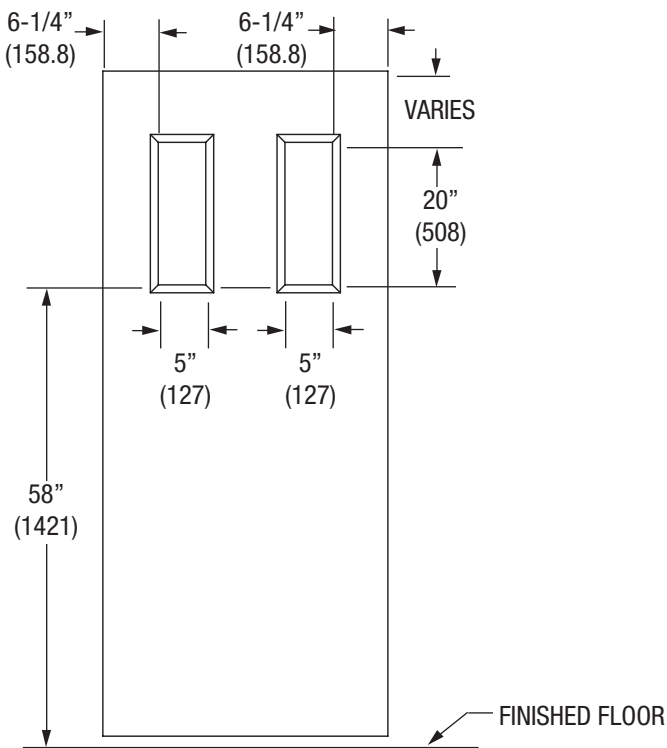
February, 2009

Type 9 & 10 Window Moulding



*** 2FNV4**

*** 2FNV5**

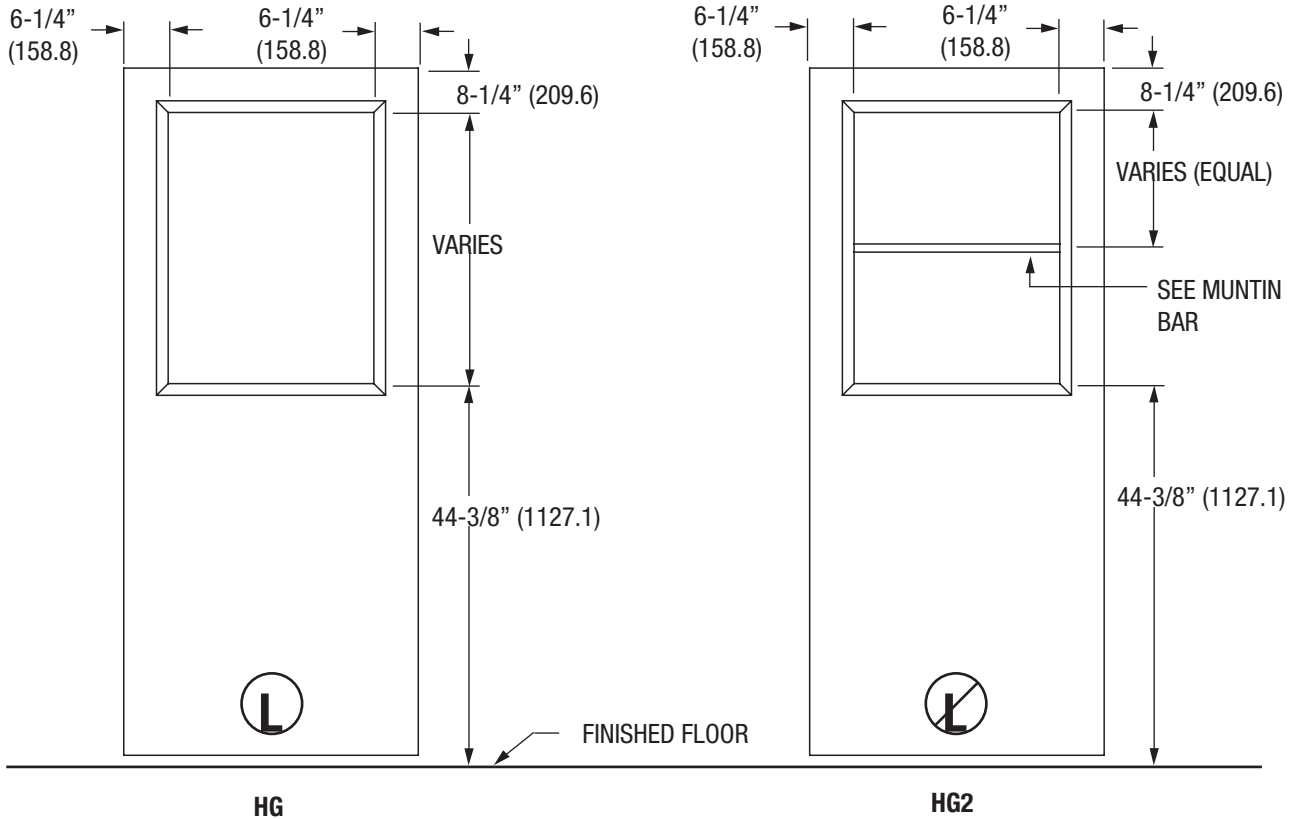


*** 2FNV6**

*** MINIMUM 6" (152.4) STILES
TO BE LABEL APPROVED**

**STANDARD LOCATIONS FOR
DOORS OVER 7'2"**

Type 9 & 10 Window Moulding

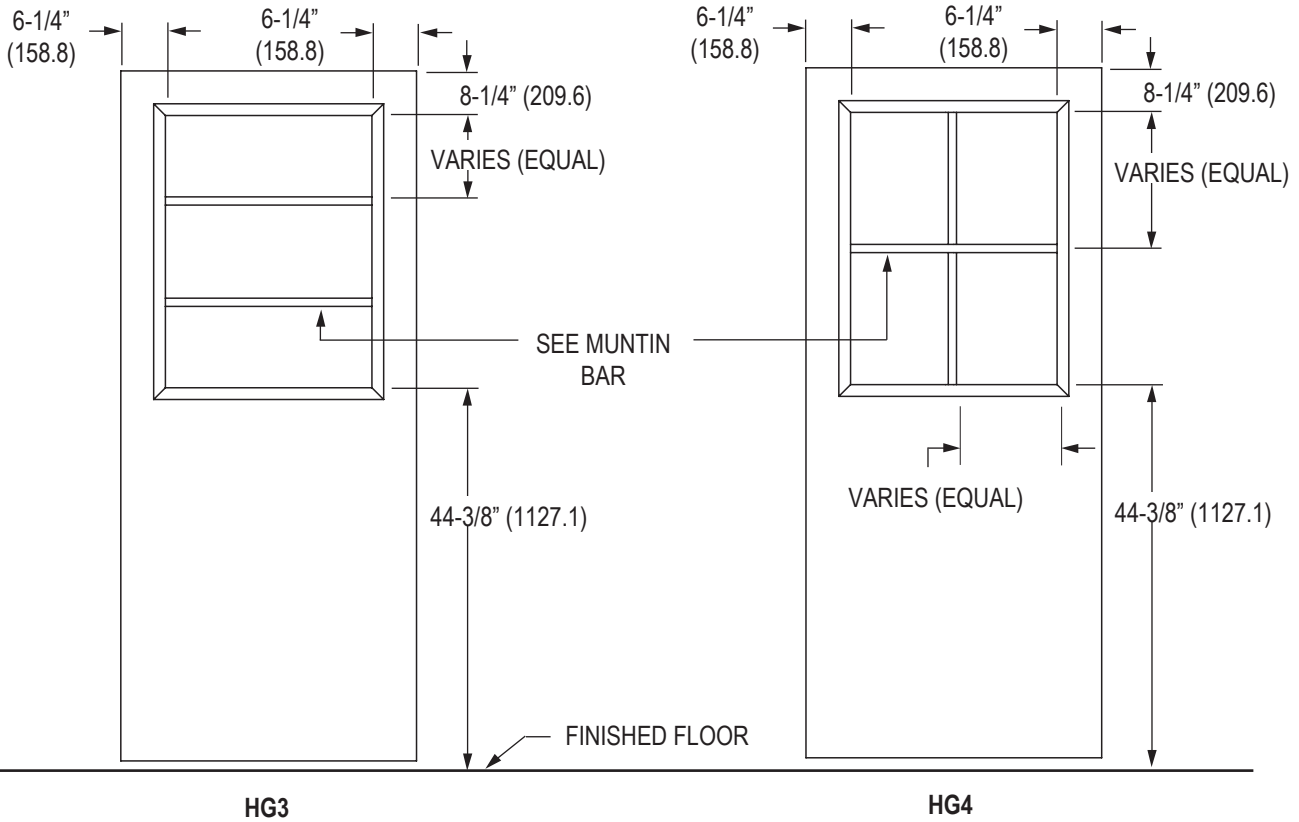


DOOR WIDTH	VISIBLE WIDTH	DOOR HEIGHT	VISIBLE HEIGHT	DOOR WIDTH	VISIBLE WIDTH	DOOR HEIGHT	VISIBLE HEIGHT
2'0" (609.6)	11-5/16" (287.3)			2'0" (609.6)	11-5/16" (287.3)		
2'4" (711.2)	15-5/16" (388.9)			2'4" (711.2)	15-5/16" (388.9)		
2'6" (762)	17-5/16" (439.7)	6'8" (2032)	27-1/4" (692.1)	2'6" (762)	17-5/16" (439.7)	6'8" (2032)	13-3/16" (335)
2'8" (812.8)	19-5/16" (490.5)			2'8" (812.8)	19-5/16" (490.5)		
2'10" (863.6)	21-5/16" (541.3)			2'10" (863.6)	21-5/16" (541.3)		
3'0" (914.4)	23-5/16" (592.1)	7'0" (2133.6)	31-1/4" (793.8)	3'0" (914.4)	23-5/16" (592.1)	7'0" (2133.6)	15-3/16" (385.8)
3'4" (1016)	27-5/16" (693.7)			3'4" (1016)	27-5/16" (693.7)		
3'6" (1066.8)	29-5/16" (744.5)			3'6" (1066.8)	29-5/16" (744.5)		
3'8" (1117.6)	31-5/16" (795.3)	7'2" (2184.4)	33-1/4" (844.6)	3'8" (1117.6)	31-5/16" (795.3)	7'2" (2184.4)	16-3/16" (411.2)
3'10" (1168.4)	33-5/16" (846.1)			3'10" (1168.4)	33-5/16" (846.1)		
4'0" (1219.2)	35-5/16" (896.9)			4'0" (1219.2)	35-5/16" (896.9)		

NOTE: FOR DOORS OVER 7'2" (2184.4) UP TO AND INCLUDING 8'0" (2438.4) STILE AND RAIL DIMENSIONS SHOWN ARE MAINTAINED. OVER 8'0" (2438.4) A MAXIMUM 44" (1117.6) VISIBLE HEIGHT IS AVAILABLE ON HG TYPE DOORS. OVER 44" (1117.6) VISIBLE HEIGHT IS CONSIDERED A FG DOOR. ALWAYS INDICATE LOCATION OF LIGHT ON DOOR FACE WHEN ORDERING DOORS OVER 8'0" (2438.4).

May, 2014

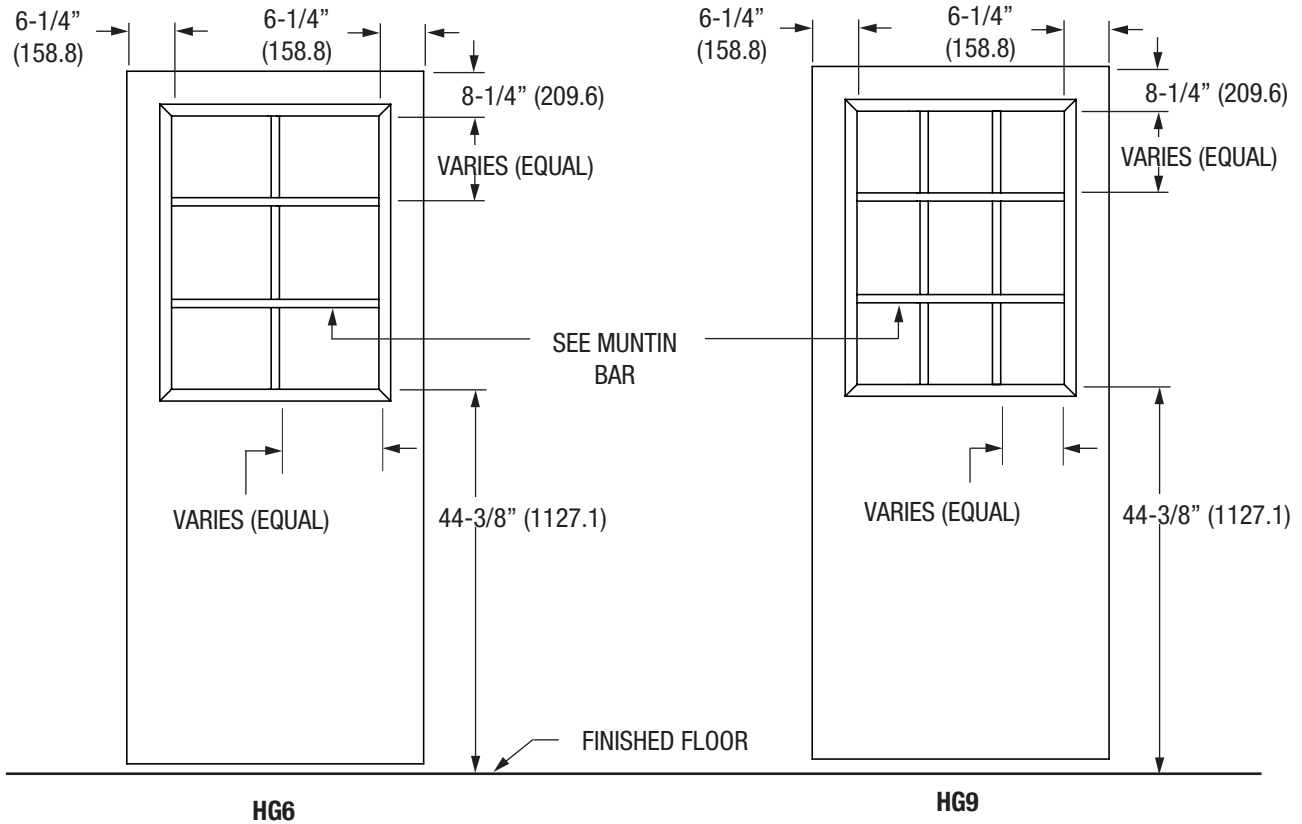
Type 9 & 10 Window Moulding



DOOR WIDTH	VISIBLE WIDTH	DOOR HEIGHT	VISIBLE HEIGHT	DOOR WIDTH	VISIBLE WIDTH	DOOR HEIGHT	VISIBLE HEIGHT
2'0" (609.6)	11-5/16" (287.3)			2'0" (609.6)	5-7/32" (132.6)		
2'4" (711.2)	15-5/16" (388.9)			2'4" (711.2)	7-7/32" (183.4)		
2'6" (762)	17-5/16" (439.7)	6'8" (2032)	8-1/2" (215.9)	2'6" (762)	8-7/32" (208.8)	6'8" (2032)	13-3/16" (335)
2'8" (812.8)	19-5/16" (490.5)			2'8" (812.8)	9-7/32" (234.2)		
2'10" (863.6)	21-5/16" (541.3)			2'10" (863.6)	10-7/32" (259.6)		
3'0" (914.4)	23-5/16" (592.1)	7'0" (2133.6)	9-53/64" (249.6)	3'0" (914.4)	11-7/32" (285)	7'0" (2133.6)	15-3/16" (385.8)
3'4" (1016)	27-5/16" (693.7)			3'4" (1016)	13-7/32" (335.8)		
3'6" (1066.8)	29-5/16" (744.5)			3'6" (1066.8)	14-7/32" (361.2)		
3'8" (1117.6)	31-5/16" (795.3)	7'2" (2184.4)	10-1/2" (266.7)	3'8" (1117.6)	15-7/32" (386.6)	7'2" (2184.4)	16-3/16" (411.16)
3'10" (1168.4)	33-5/16" (846.1)			3'10" (1168.4)	16-7/32" (412)		
4'0" (1219.2)	35-5/16" (896.9)			4'0" (1219.2)	17-7/32" (437.4)		

NOTE: FOR DOORS OVER 7'2" (2184.4) UP TO AND INCLUDING 8'0" (2438.4) STILE AND RAIL DIMENSIONS SHOWN ARE MAINTAINED. OVER 8'0" (2438.4) A MAXIMUM 44" (1117.6) VISIBLE HEIGHT IS AVAILABLE ON HG TYPE DOORS. OVER 44" (1117.6) VISIBLE HEIGHT IS CONSIDERED A FG DOOR. ALWAYS INDICATE LOCATION OF LIGHT ON DOOR FACE WHEN ORDERING DOORS OVER 8'0" (2438.4).

Type 9 & 10 Window Moulding



DOOR WIDTH	VISIBLE WIDTH	DOOR HEIGHT	VISIBLE HEIGHT
2'0" (609.6)	5-7/32" (132.6)		
2'4" (711.2)	7-7/32" (183.4)		
2'6" (762)	8-7/32" (208.8)	6'8" (2032)	8-1/2" (215.9)
2'8" (812.8)	9-7/32" (234.2)		
2'10" (863.6)	10-7/32" (259.6)		
3'0" (914.4)	11-7/32" (285)	7'0" (2133.6)	9-53/64" (250)
3'4" (1016)	13-7/32" (335.8)		
3'6" (1066.8)	14-7/32" (361.2)		
3'8" (1117.6)	15-7/32" (386.6)	7'2" (2184.4)	10-1/2" (266.7)
3'10" (1168.4)	16-7/32" (412)		
4'0" (1219.2)	17-7/32" (437.4)		

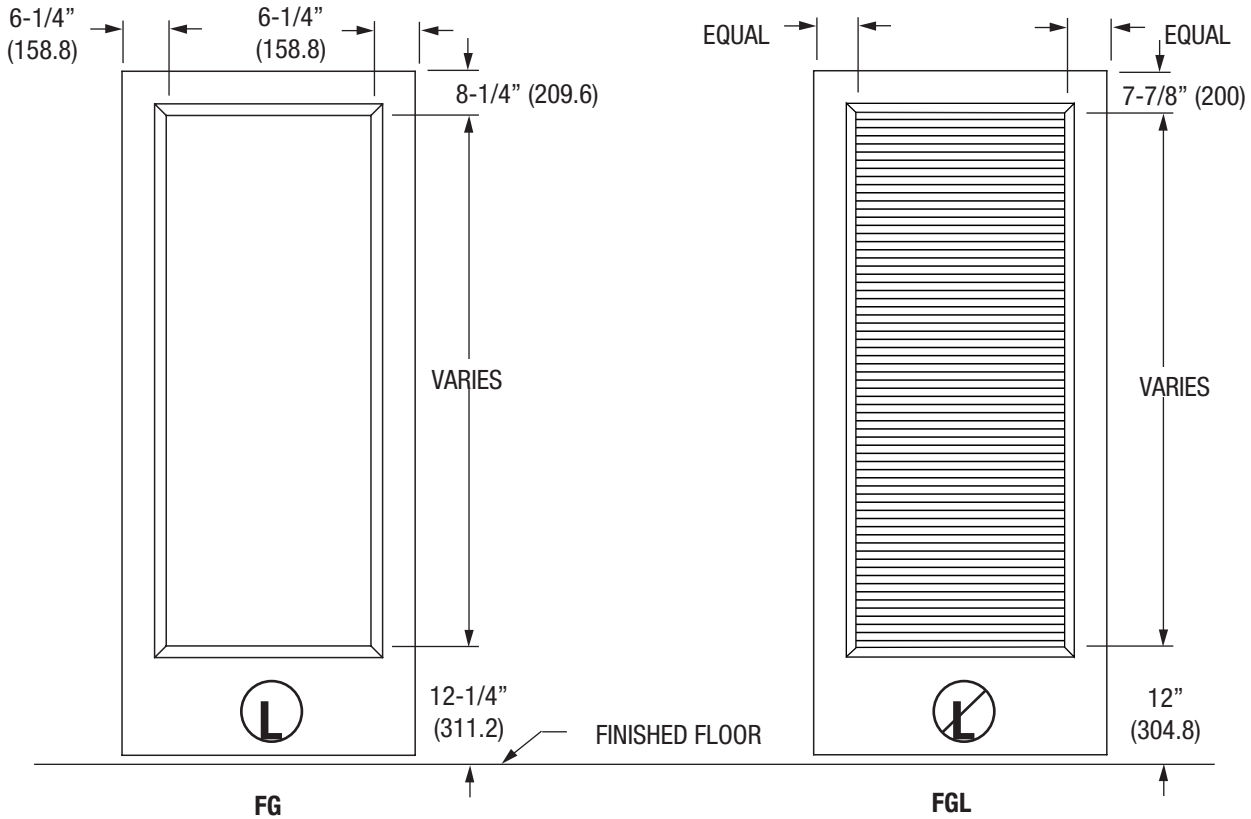
DOOR WIDTH	VISIBLE WIDTH	DOOR HEIGHT	VISIBLE HEIGHT
2'0" (609.6)	3-9/64" (79.8)		
2'4" (711.2)	4-29/64" (113.1)		
2'6" (762)	5-9/64" (130.6)	6'8" (2032)	8-1/2" (215.9)
2'8" (812.8)	5-53/64" (148)		
2'10" (863.6)	6-29/64" (164)		
3'0" (914.4)	7-9/64" (181.4)	7'0" (2133.6)	9-53/64" (249.6)
3'4" (1016)	8-29/64" (214.7)		
3'6" (1066.8)	9-9/64" (232.2)		
3'8" (1117.6)	5-53/64" (148)	7'2" (2184.4)	10-1/2" (266.7)
3'10" (1168.4)	10-29/64" (265.5)		
4'0" (1219.2)	11-9/64" (283)		

NOTE: FOR DOORS OVER 7'2" (2184.4) UP TO AND INCLUDING 8'0" (2438.4) STILE AND RAIL DIMENSIONS SHOWN ARE MAINTAINED. OVER 8'0" (2438.4) A MAXIMUM 44" (1117.6) VISIBLE HEIGHT IS AVAILABLE ON HG TYPE DOORS. OVER 44" (1117.6) VISIBLE HEIGHT IS CONSIDERED A FG DOOR. ALWAYS INDICATE LOCATION OF LIGHT ON DOOR FACE WHEN ORDERING DOORS OVER 8'0" (2438.4).

February, 2009



Type 9 & 10 Window Moulding

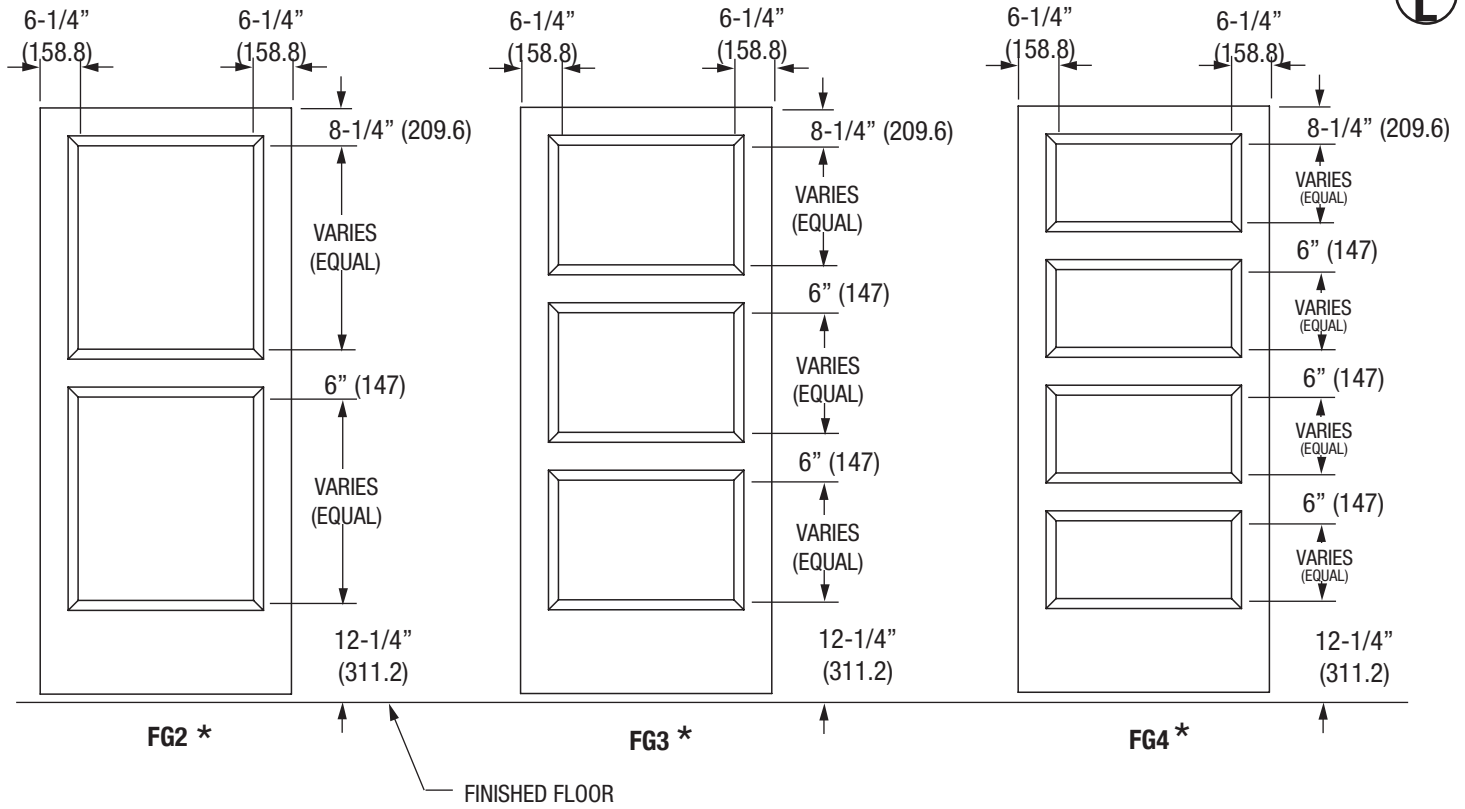


DOOR WIDTH	VISIBLE WIDTH	DOOR HEIGHT	VISIBLE HEIGHT
2'0" (609.6)	11-5/16" (287.3)		
2'4" (711.2)	15-5/16" (388.9)		
2'6" (762)	17-5/16" (439.7)	6'8" (2032)	59-3/8" (1508.1)
2'8" (812.8)	19-5/16" (490.5)		
2'10" (863.6)	21-5/16" (541.3)		
3'0" (914.4)	23-5/16" (592.1)	7'0" (2133.6)	63-3/8" (1609.7)
3'4" (1016)	27-5/16" (693.7)		
3'6" (1066.8)	29-5/16" (744.5)		
3'8" (1117.6)	31-5/16" (795.3)	7'2" (2184.4)	65-3/8" (1660.5)
3'10" (1168.4)	33-5/16" (846.1)		
4'0" (1219.2)	35-5/16" (896.9)		

DOOR WIDTH	VISIBLE WIDTH	DOOR HEIGHT	VISIBLE HEIGHT
2'0" (609.6)	12" (304.8)		
2'4" (711.2)	16" (406.4)		
2'6" (762)	18" (457.2)	6'8" (2032)	60" (1524)
2'8" (812.8)	20" (508)		
2'10" (863.6)	22" (558.8)		
3'0" (914.4)	24" (609.6)	7'0" (2133.6)	64" (1625.6)
3'4" (1016)	28" (711.6)		
3'6" (1066.8)	30" (762)		
3'8" (1117.6)	32" (812.8)	7'2" (2184.4)	66" (1676.4)
3'10" (1168.4)	34" (863.6)		
4'0" (1219.2)	36" (914.4)		

NOTE: FOR DOORS OVER 7'2" (2184.4) UP TO AND INCLUDING 8'0" (2438.4) STILE AND RAIL DIMENSIONS SHOWN ARE MAINTAINED. OVER 8'0" (2438.4) A MAXIMUM 44" (1117.6) VISIBLE HEIGHT IS AVAILABLE ON HG TYPE DOORS. OVER 44" (1117.6) VISIBLE HEIGHT IS CONSIDERED A FG DOOR. ALWAYS INDICATE LOCATION OF LIGHT ON DOOR FACE WHEN ORDERING DOORS OVER 8'0" (2438.4).

Type 9 & 10 Window Moulding



* NOTE: A MINIMUM 6" STILE AND 6" RAIL IS REQUIRED FOR FIRE LABEL LISTED DOOR)

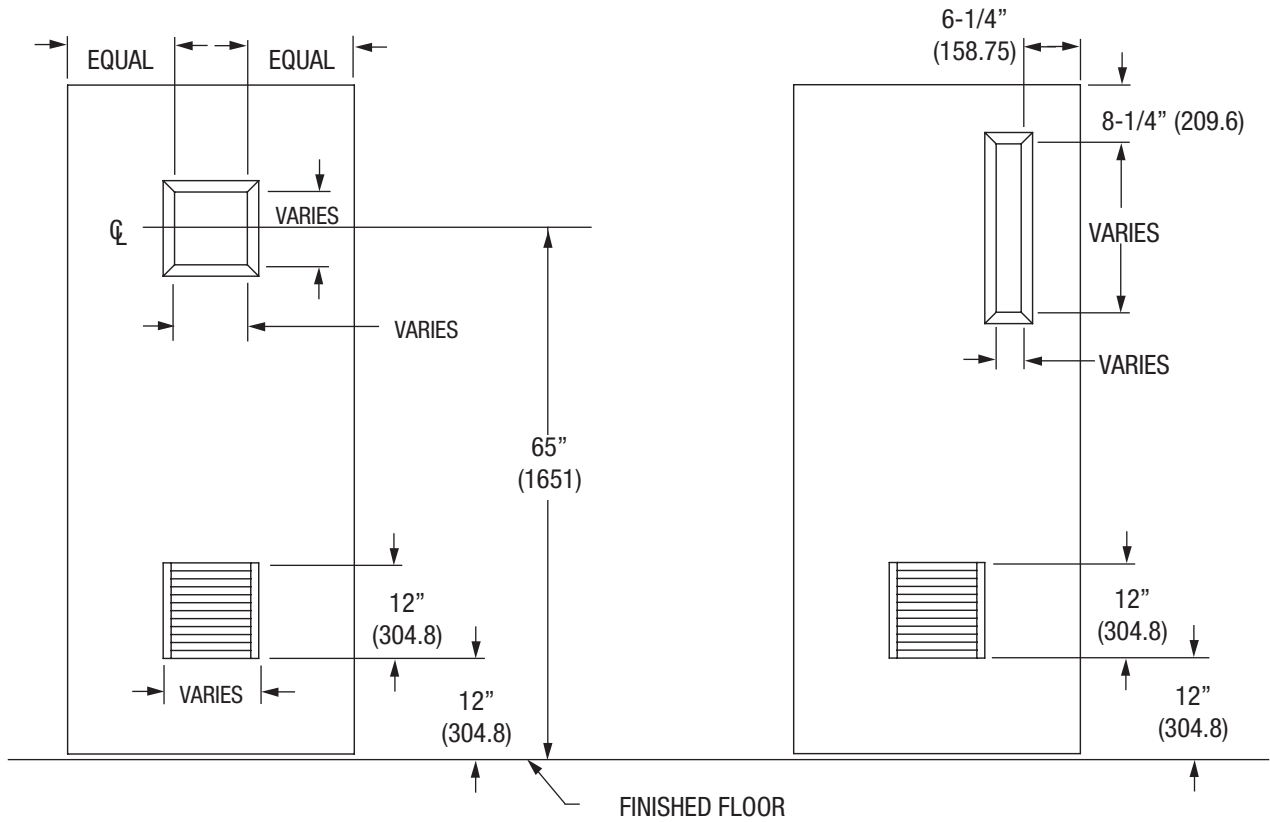
FG2		FG3		FG4			
DOOR WIDTH	VISIBLE WIDTH	DOOR HEIGHT	VISIBLE HEIGHT	DOOR HEIGHT	VISIBLE HEIGHT	DOOR HEIGHT	VISIBLE HEIGHT
2'0" (609.6)	11-5/16" (287.3)						
2'4" (711.2)	15-5/16" (388.9)						
2'6" (762)	17-5/16" (439.7)	6'8" (2032)	26-11/16" (653.8)	6'8" (2032)	15-13/16" (401.6)	6'8" (2032)	10-3/8" (263.5)
2'8" (812.8)	19-5/16" (490.5)						
2'10" (863.6)	21-5/16" (541.3)						
3'0" (914.4)	23-5/16" (592.1)	7'0" (2133.6)	28-11/16" (702.8)	7'0" (2133.6)	17-1/8" (435)	7'0" (2133.6)	11-3/8" (288.9)
3'4" (1016)	27-5/16" (693.7)						
3'6" (1066.8)	29-5/16" (744.5)						
3'8" (1117.6)	31-5/16" (795.3)	7'2" (2184.4)	29-11/16" (727.3)	7'2" (2184.4)	15-13/16" (401.6)	7'2" (2184.4)	11-7/8" (301.6)
3'10" (1168.4)	33-5/16" (846.1)						
4'0" (1219.2)	35-5/16" (896.9)						

NOTE: FOR DOORS OVER 7'2" (2184.4) UP TO AND INCLUDING 8'0" (2438.4) STILE AND RAIL DIMENSIONS SHOWN ARE MAINTAINED. ALWAYS INDICATE LOCATION OF LIGHT ON DOOR FACE WHEN ORDERING DOORS OVER 8'0" (2438.4).

May, 2012



Type 9 & 10 Window Moulding



FVL

- FV = FULL VISION STANDARDS
- L = LOUVER STANDARDS

FNVL

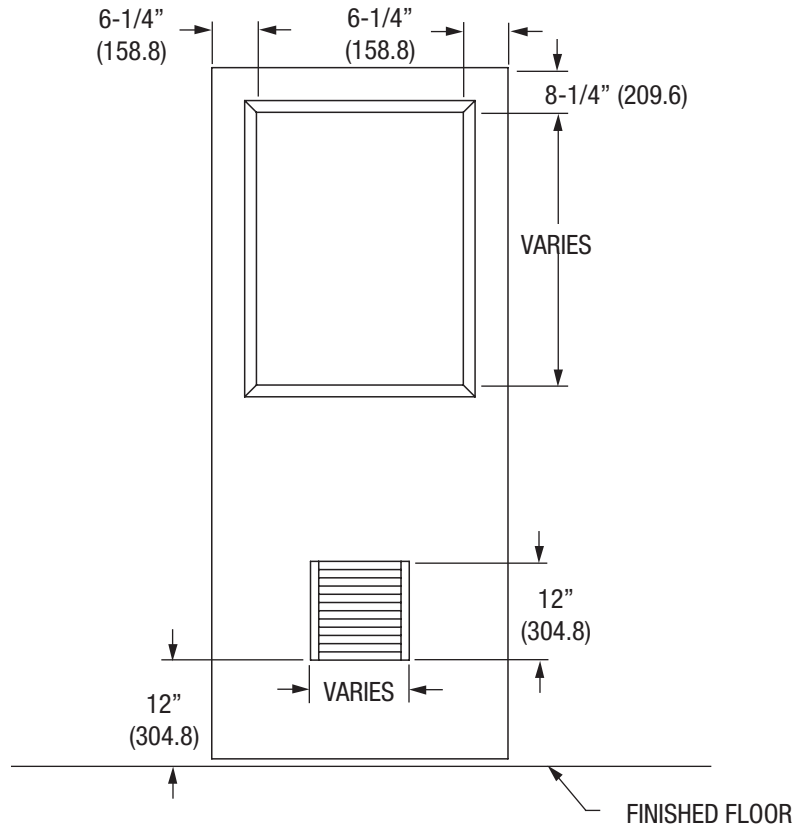
- FNV = FULL NARROW VISION STANDARDS
- L = LOUVER STANDARDS

EXAMPLE: $\overbrace{\text{FV11.2}}^{\text{12" X 12" (305 X 305) FULL VISION LITE}}$
 $\underbrace{\text{18" X 12" (457 X 305) LOUVER}}$

EXAMPLE: $\overbrace{\text{FNVL11.2}}^{\text{6" X 36" (152 X 914) NARROW VISION LITE}}$
 $\underbrace{\text{18" X 12" (457 X 305) LOUVER}}$

PROVIDE CUTOUT ONLY SIZE FOR LOUVERS

Type 9 & 10 Window Moulding



HGL

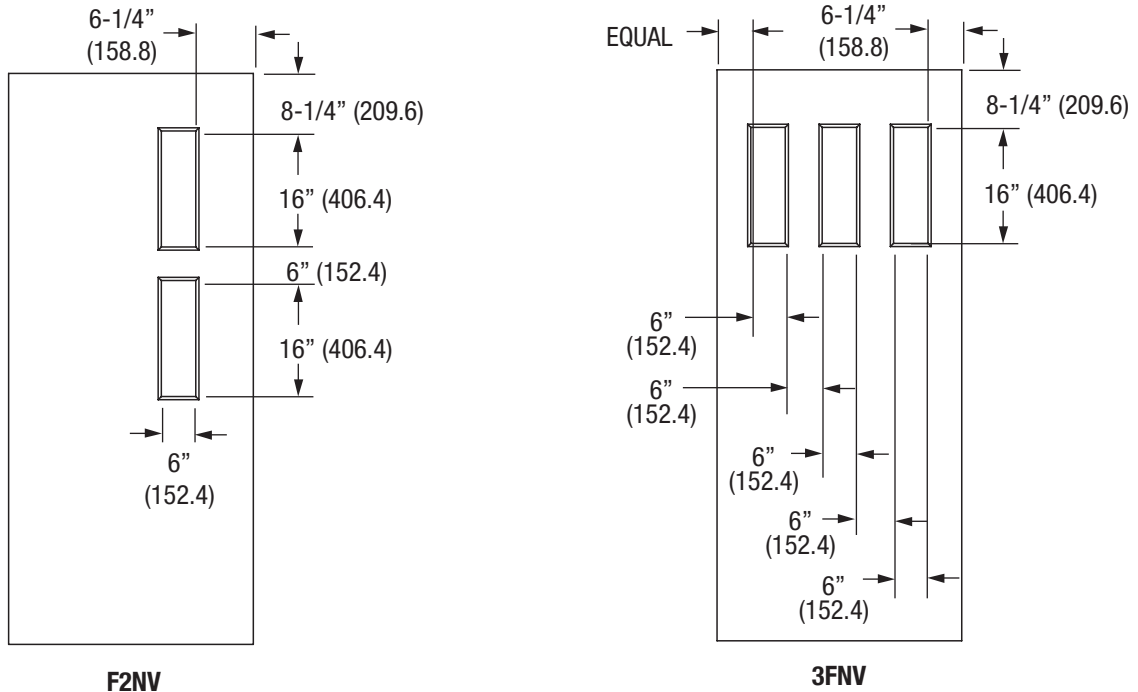
- HG = HALF GLASS STANDARDS
- L = LOUVER STANDARDS

EXAMPLE: HGL 2
 WINDOW PANE-HALF GLASS
 18" X 12" (457 X 305) LOUVER

PROVIDE CUTOUT ONLY SIZE FOR LOUVERS

February, 2010

Type 9 & 10 Window Moulding



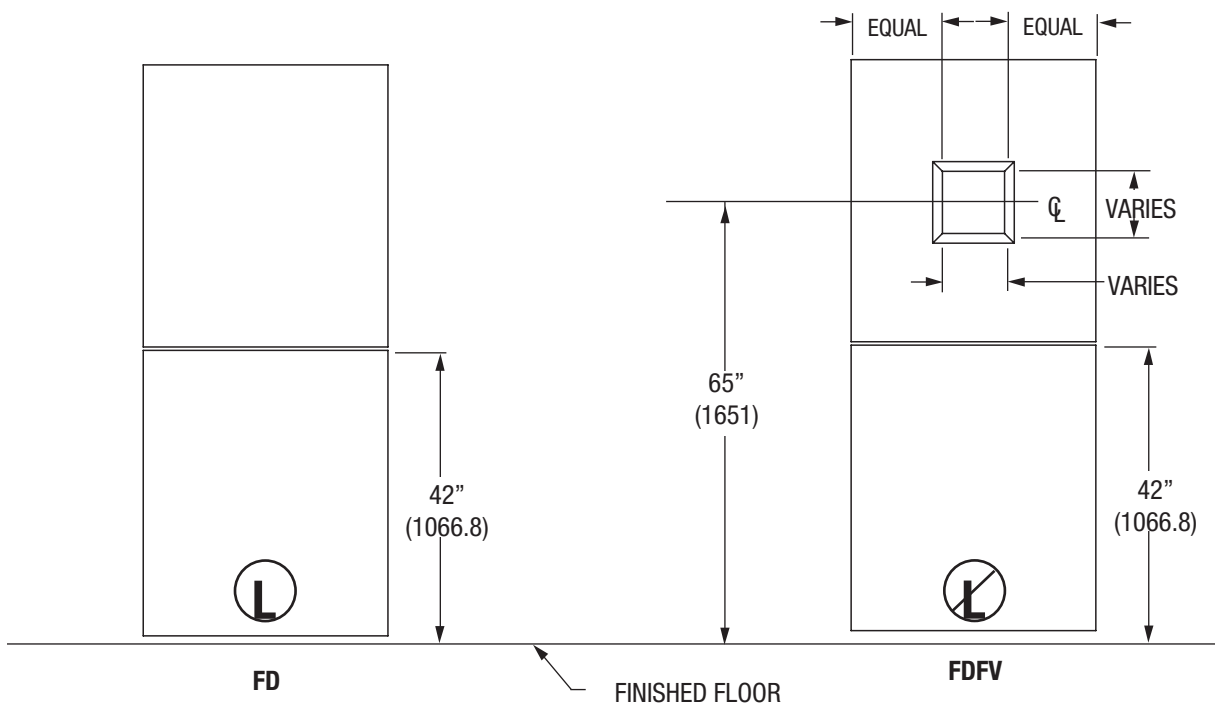
F2NV

3FNV

DOOR WIDTH FOR 3FNV MUST BE AT LEAST 3'7" (1092.2) WIDE!

* NOTE: MINIMUM 6" STILES TO BE FIRE LABEL LISTED.

Face Type Locations FD, FDFV



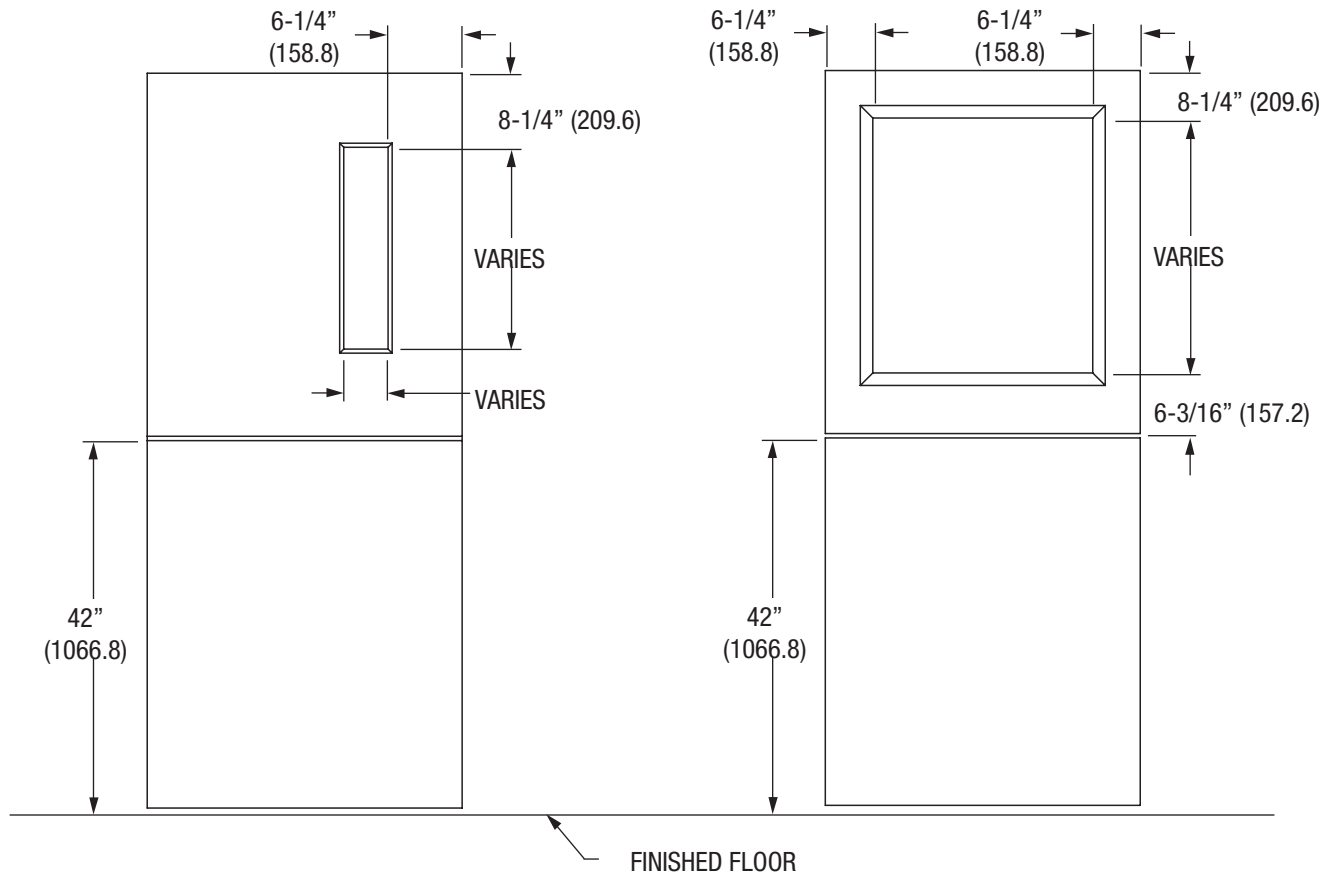
FD

FDFV

FINISHED FLOOR

FDFV	10" (254) X 10" (254)
FDFV1	12" (304.8) X 12" (304.8)

Type 9 & 10 Window Moulding



FDFNV

FD = FLUSH DUTCH
FNV = FULL NARROW VISION STANDARDS

FDHG

FD = FLUSH DUTCH
HG = HALF GLASS STANDARDS

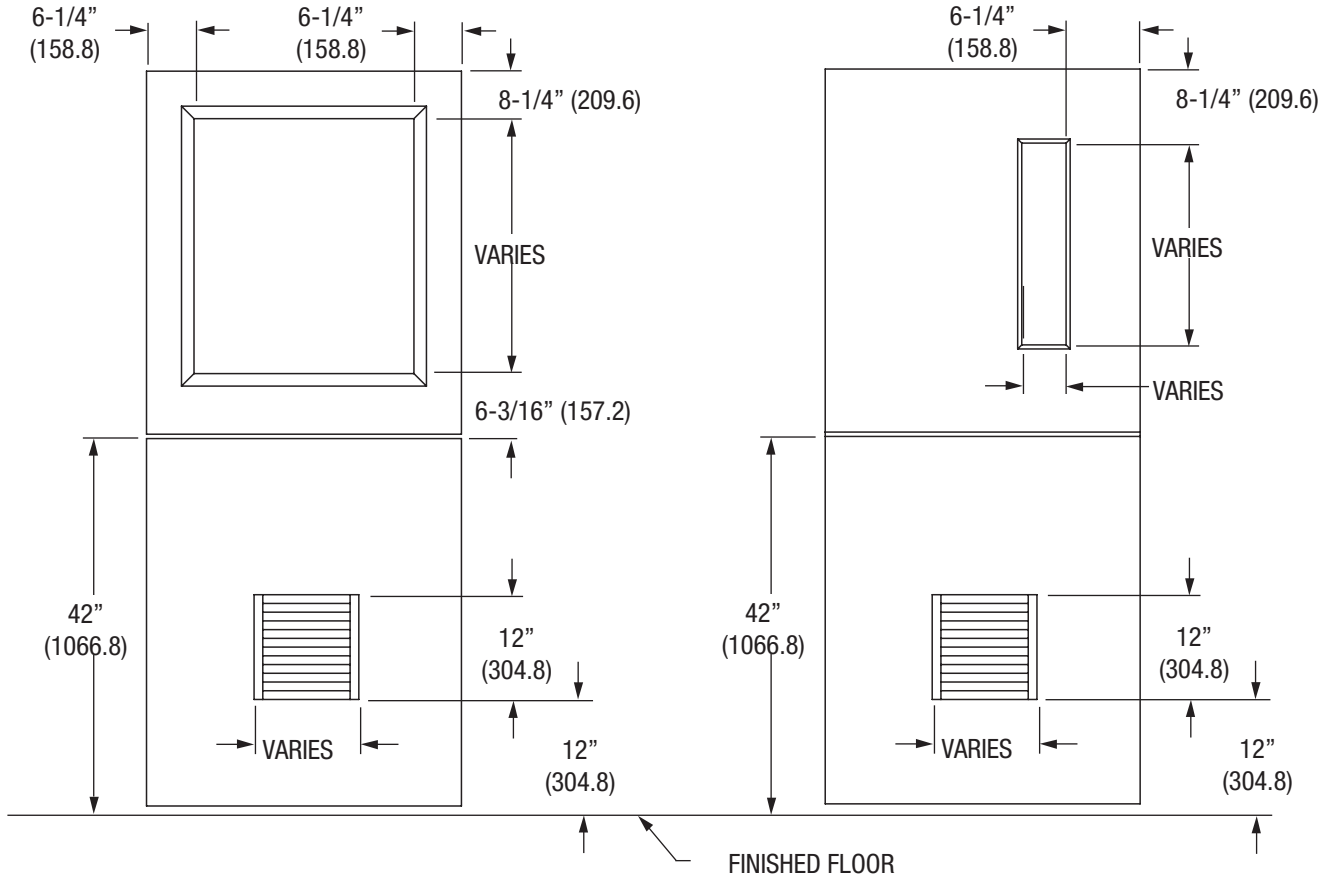
EXAMPLE: FDFNV1
FLUSH DUTCH ←
6" X 36" (152 X 914) NARROW VISION LITE ←

EXAMPLE: FDHG
FLUSH DUTCH ←
(3) WINDOW PANE-HALF GLASS ←

February, 2009



Type 9 & 10 Window Moulding



FDHGL

- FD = FLUSH DUTCH
- HG = HALF GLASS STANDARDS
- L = LOUVER STANDARDS

FDFNVL

- FD = FLUSH DUTCH
- FNV = FULL NARROW VISION STANDARDS
- L = LOUVER STANDARDS

EXAMPLE: FDHG3L?
 FLUSH DUTCH ←
 (3) WINDOW PANE-HALF GLASS ←
 18" X 12" (457 X 305) LOUVER ←

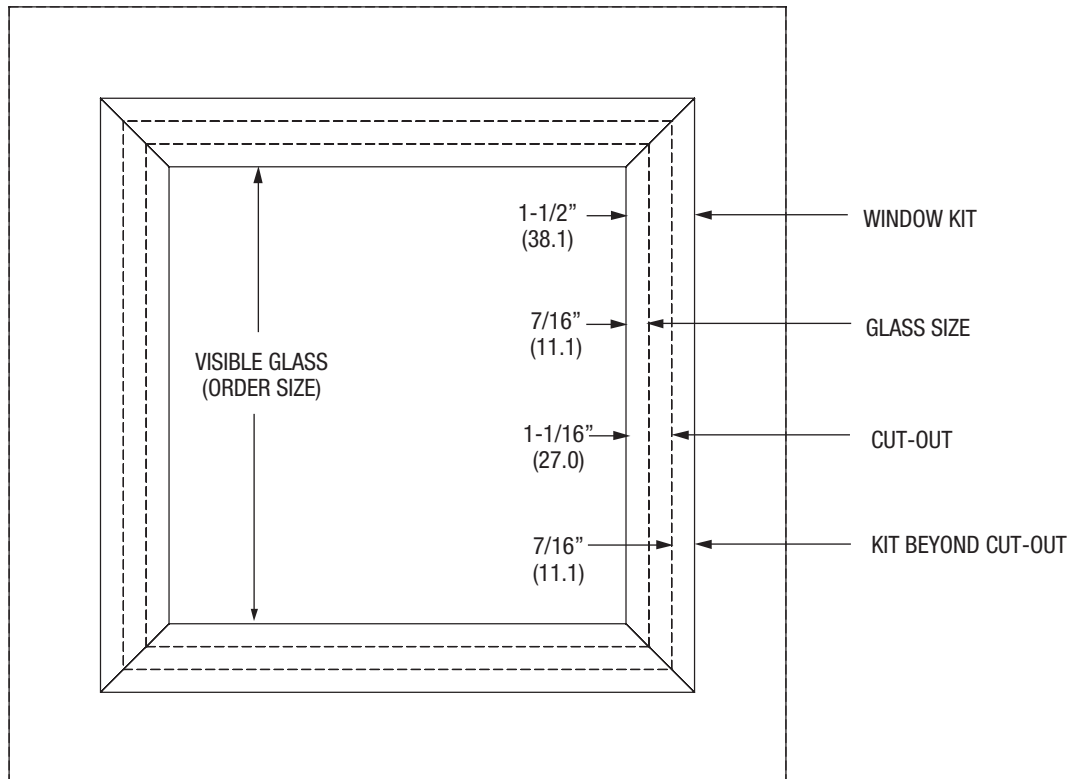
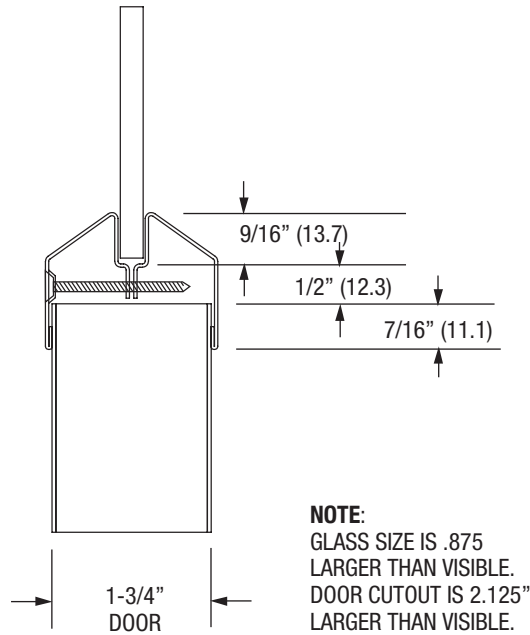
EXAMPLE: FDFNV1L?
 FLUSH DUTCH ←
 6" X 36" (152 X 914) NARROW VISION LITE ←
 18" X 12" (457 X 305) LOUVER ←

PROVIDE CUTOUT ONLY SIZE FOR LOUVERS

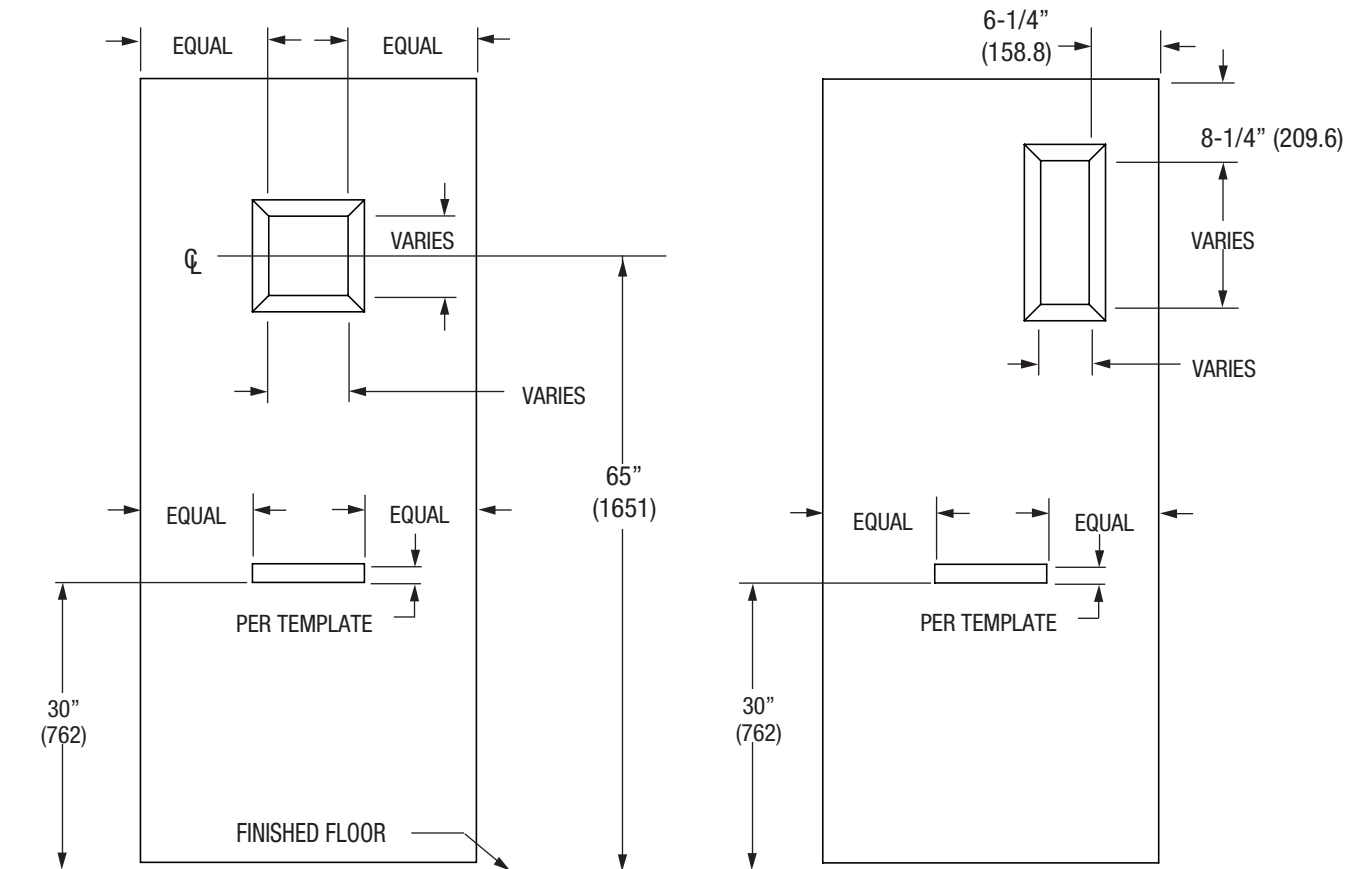
Type 9 & 10 Window Moulding



Type 9 & 10 Kits



Type 9 & 10 Window Moulding



FVMS

FV = FULL VISION STANDARDS
 MS = MAIL SLOT

FNVMS

FNV = FULL NARROW VISION STANDARDS
 MS = MAIL SLOT

FVMS	10" (254) X 10" (254)
FV1MS	12" (304.8) X 12" (304.8)

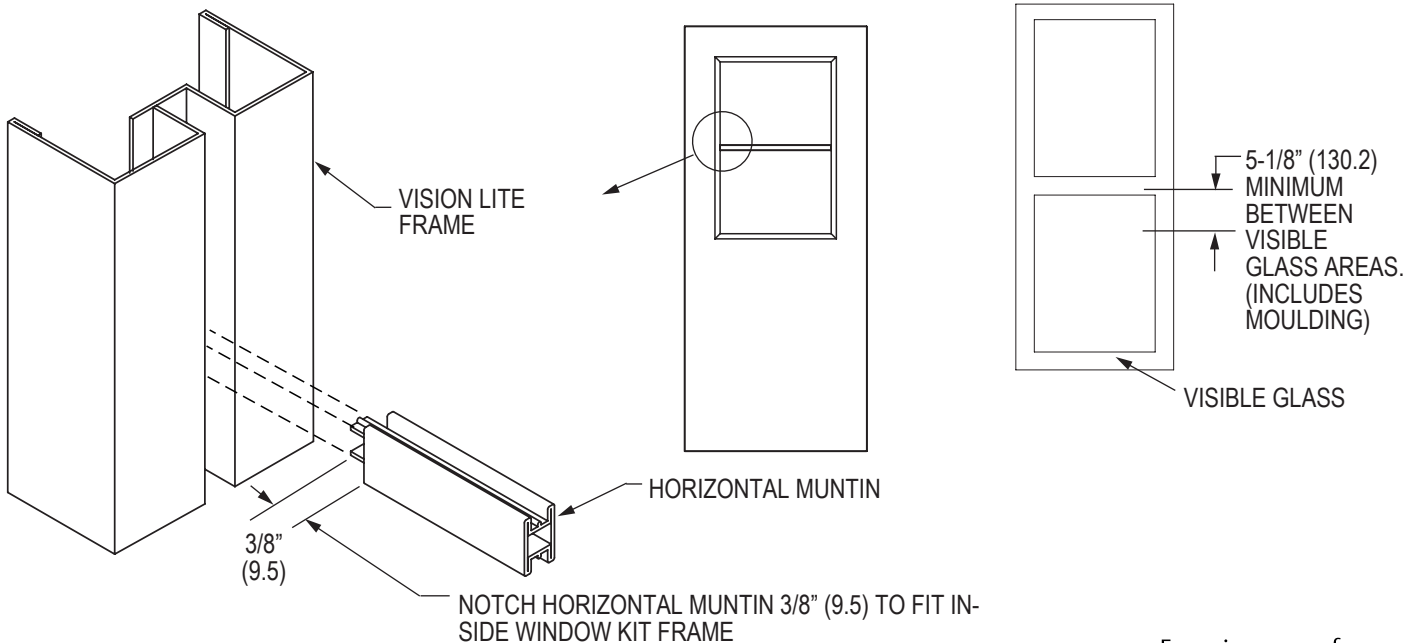
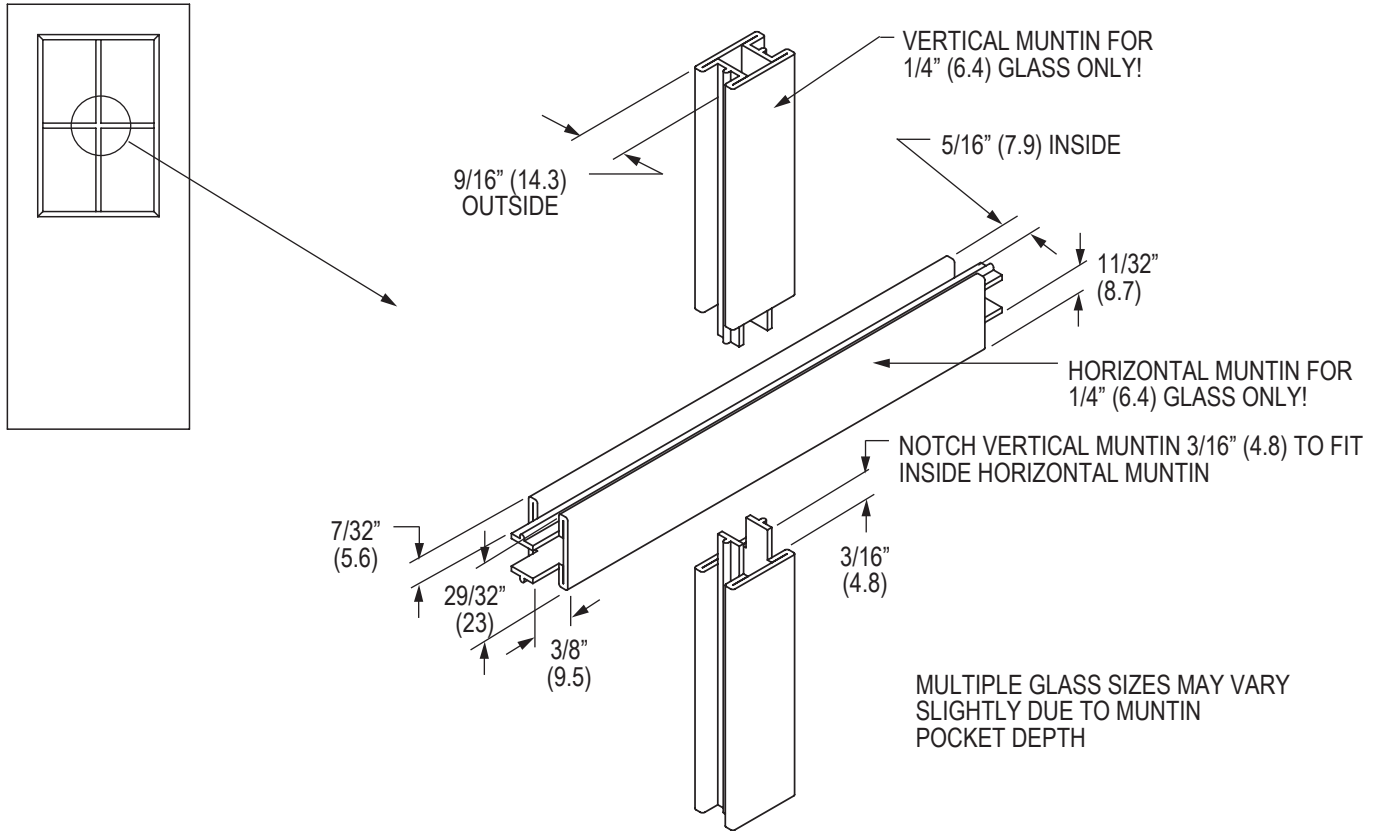
EXAMPLE: FNV1MS
 6" X 36" (152 X 914) NARROW VISION LITE
 MAIL SLOT

February, 2009



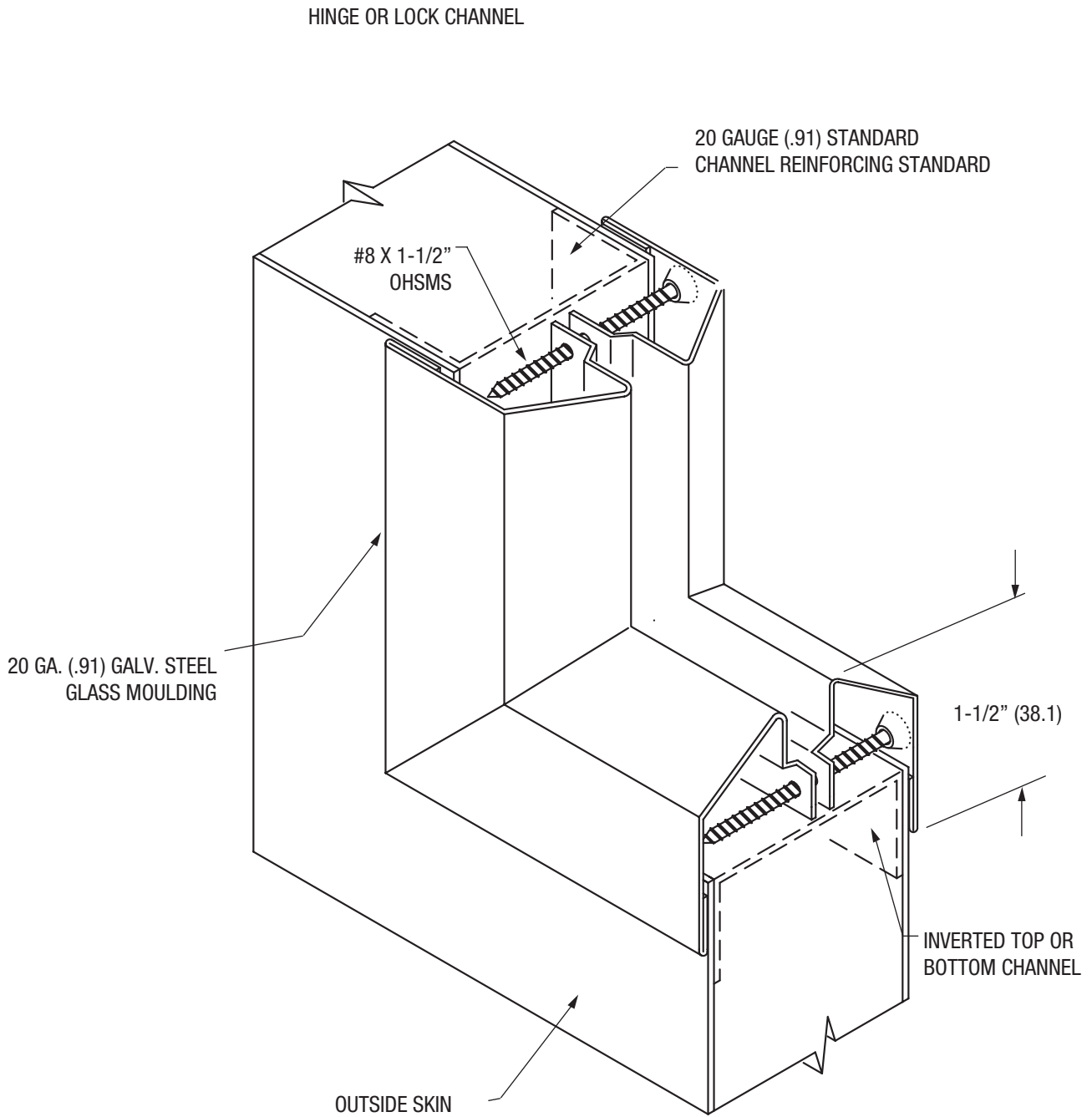
AVAILABLE WITH TYPE 1, 3, AND 9 WITH 3/8" POCKET ONLY

MUNTIN BAR PART NUMBER: CD002402



Experience a safer and more open world

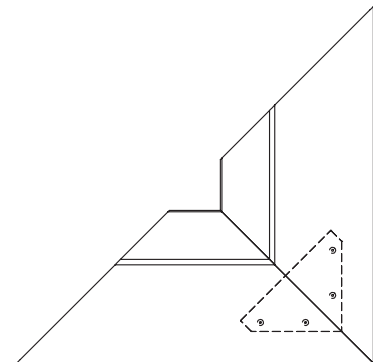
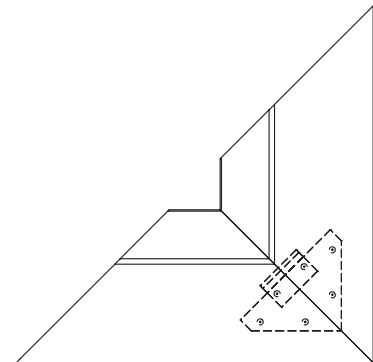
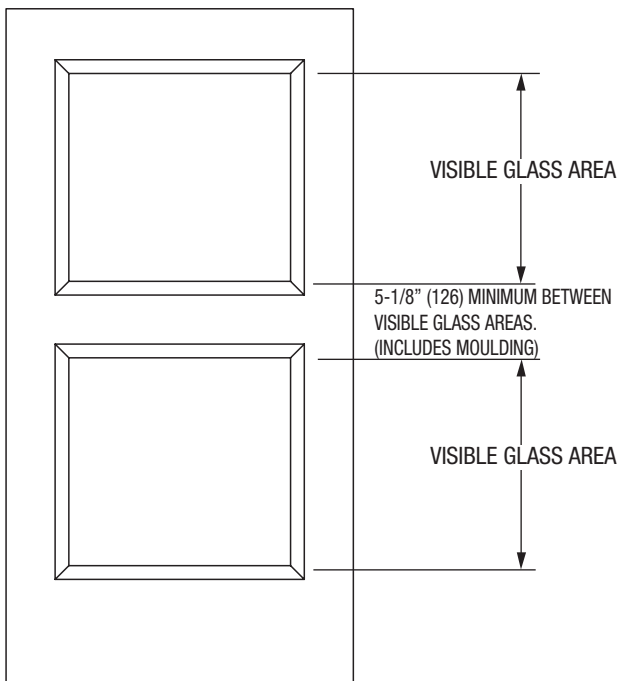
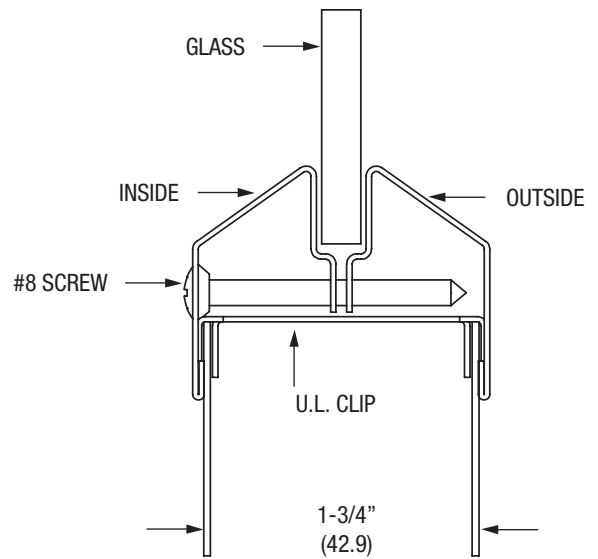
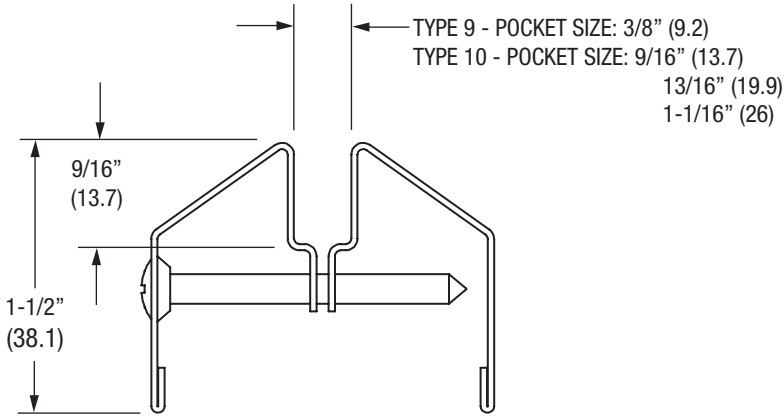
Type 9 & 10 Window Moulding



February, 2009



Type 9 & 10 Window Moulding



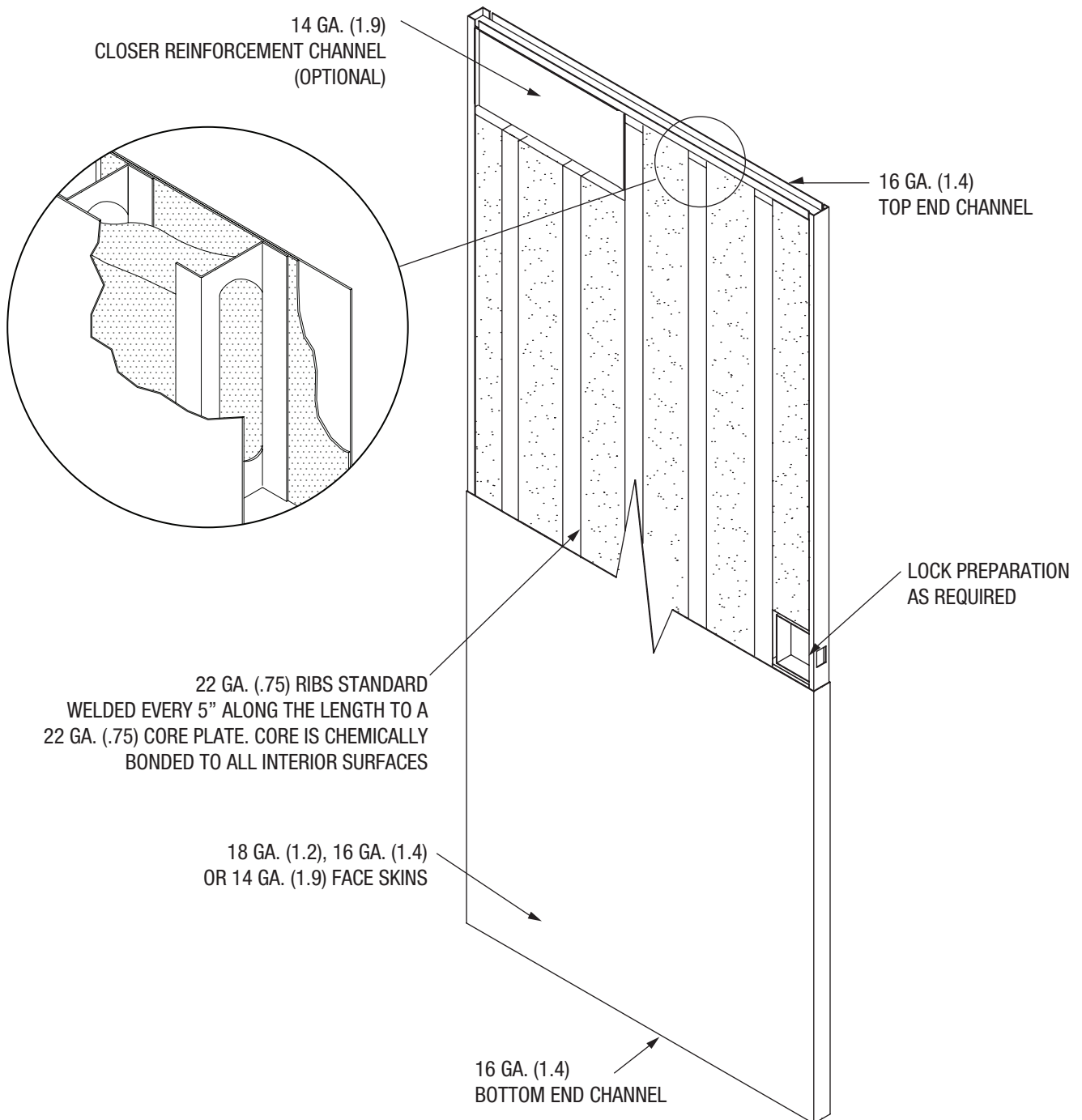
NOTE: ON FIRE LABEL DOORS USE A 6" (152.4) MINIMUM STILE BETWEEN VISIBLE GLASS AREAS AND BETWEEN VISIBLE GLASS AND EDGES OF DOOR.



**1-3/4" VERTICALLY STEEL STIFFENED
FIBERGLASS CORE DOOR
BEVELED LOCK EDGE, HANDED
MAXIMUM GLASS THICKNESS - 1"**

**MAXIMUM FIRE LABEL - 180 MINUTE
MAXIMUM SIZE 4'0" X 8'0" SINGLE
MAXIMUM SIZE 8'0" X 8'0" PAIRED*
MAXIMUM SIZE 8'0" X 9'0" PAIRED - 90 MINUTE***

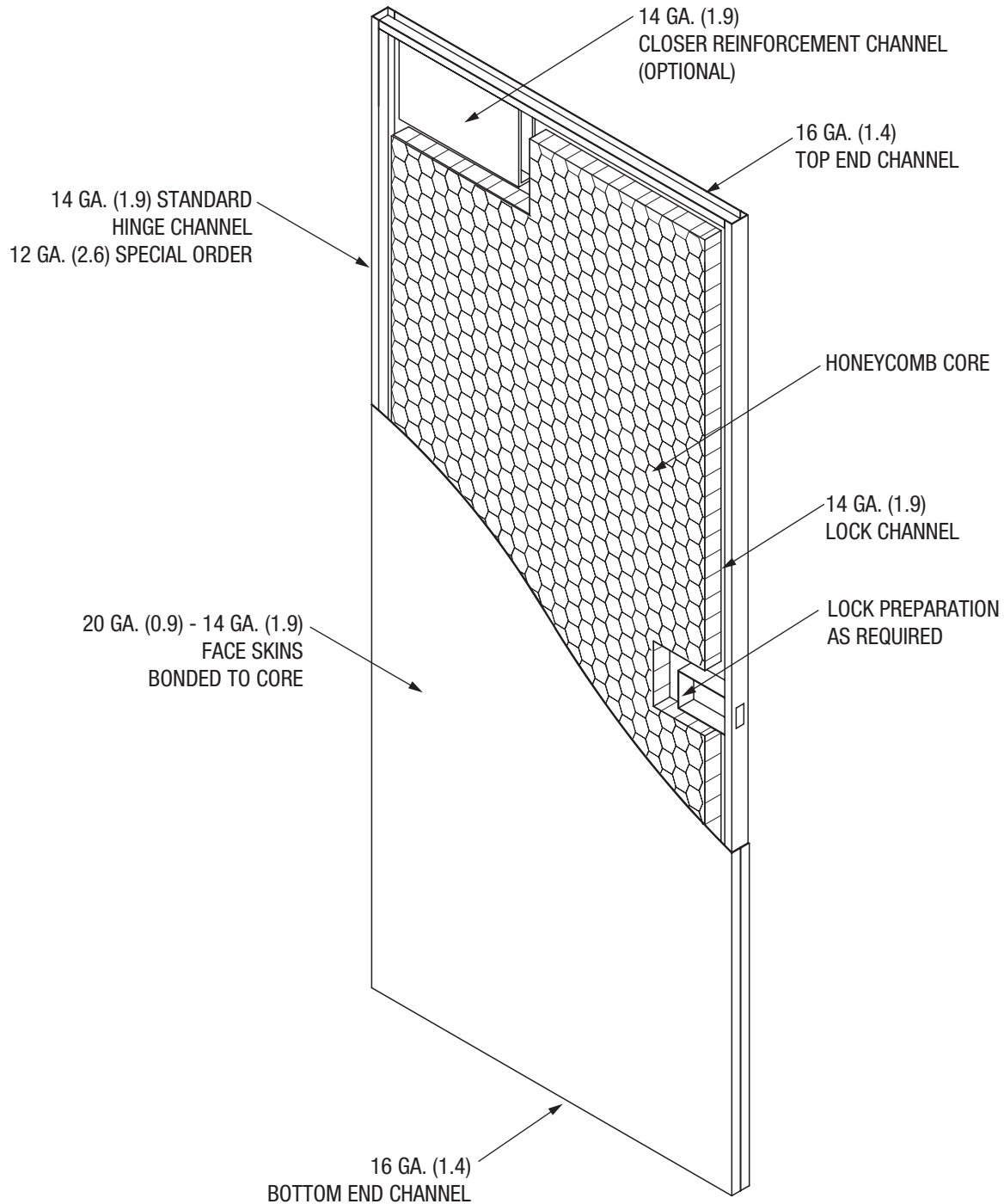
*NO ASTRAGAL REQUIRED

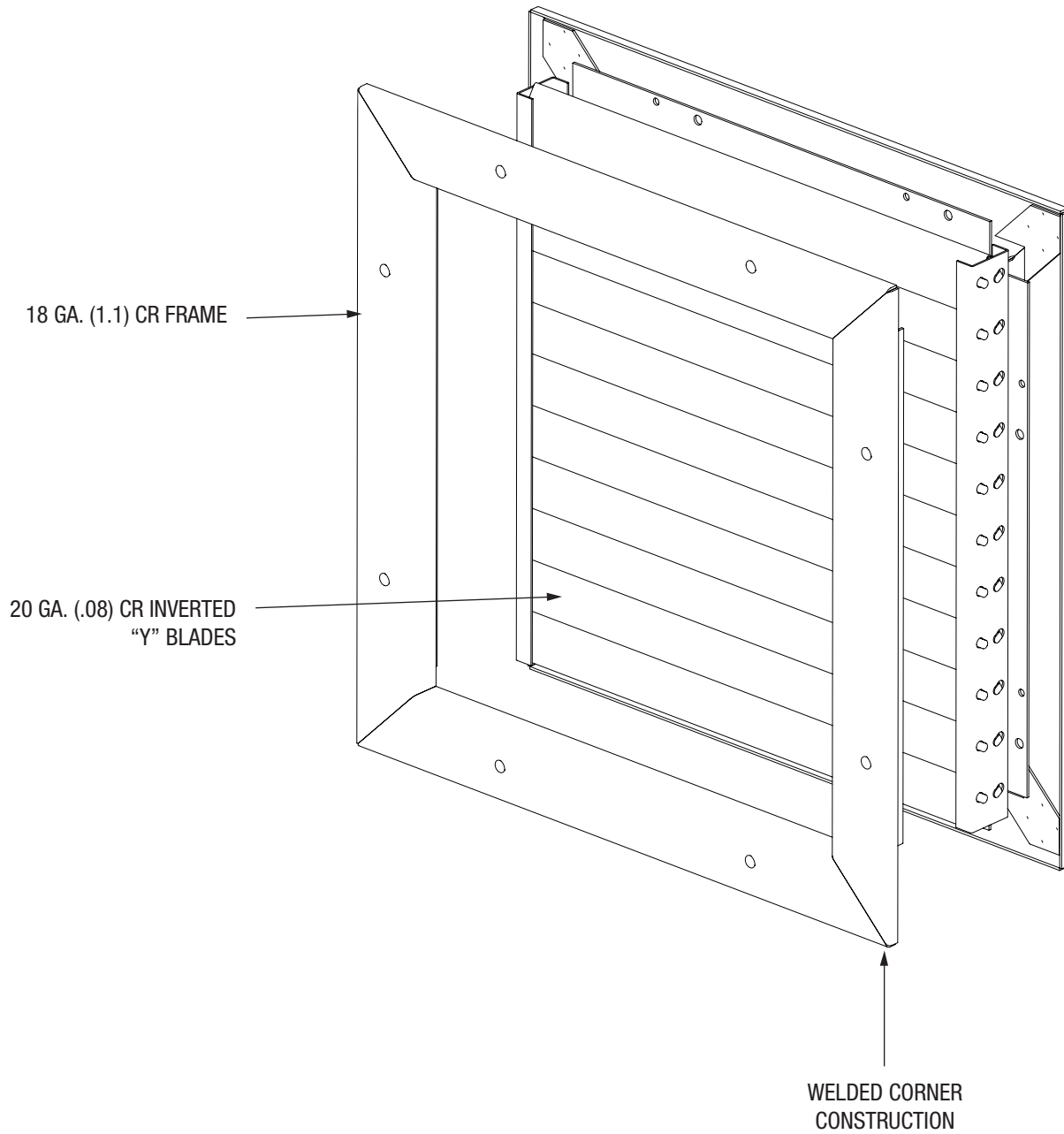


September, 2014



AVAILABLE IN 1-3/4" THICKNESS ONLY





THE CURRIES NON-RATED LOUVER FOR 1-3/4" DOORS PROVIDES 50% FREE AIR FLOW WHILE FASTENING TO ONE SIDE TO ENSURE SECURITY.

January, 2020



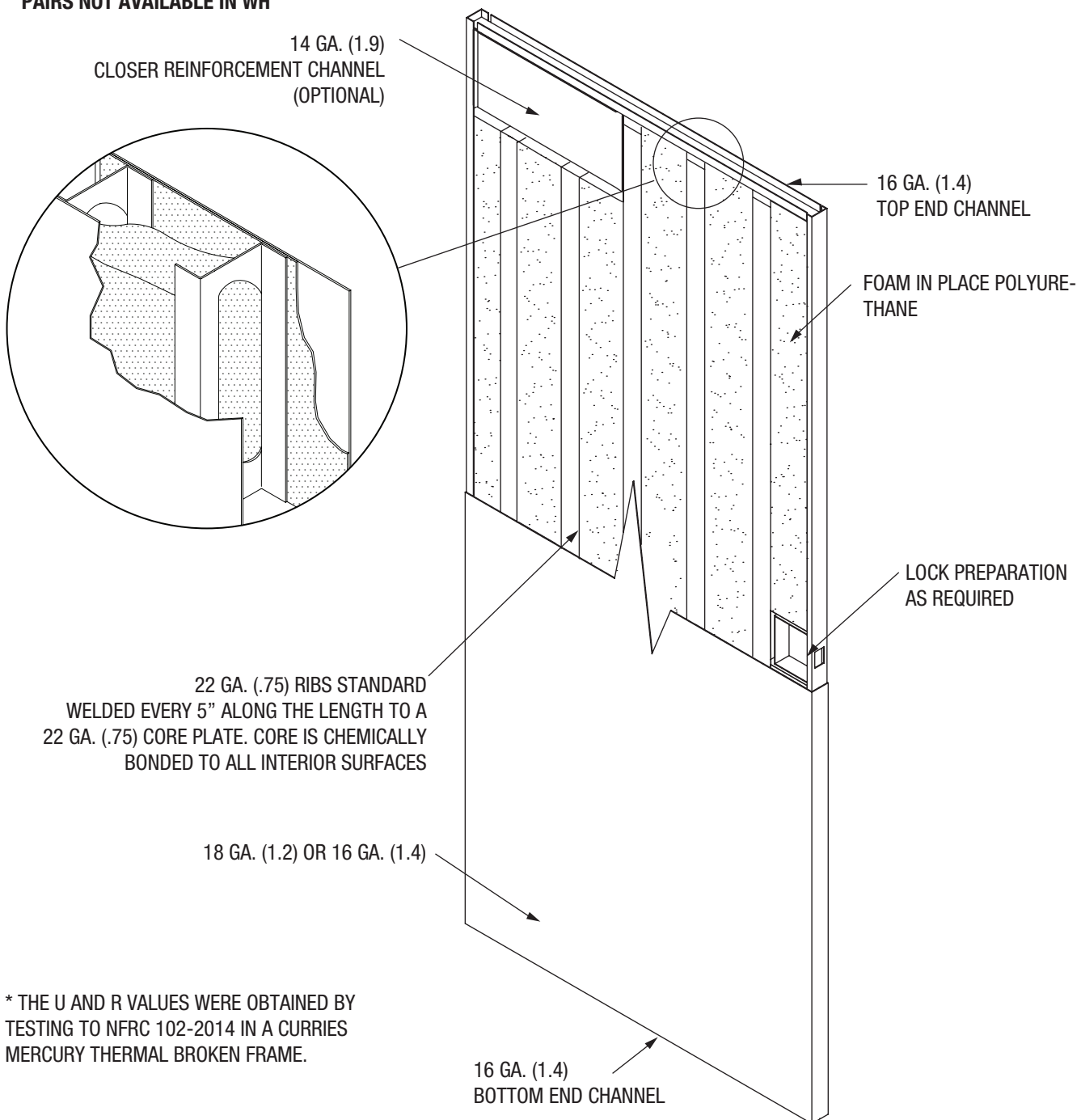
1-3/4" VERTICALLY STEEL STIFFENED
 POLYURETHANE CORE DOOR
 BEVELED LOCK EDGE, HANDED
 1-3/4" VERTICALLY STEEL STIFFENED
 FIBERGLASS CORE DOOR
 BEVELED LOCK EDGE, HANDED
 MAXIMUM GLASS THICKNESS - 1"

MAXIMUM FIRE LABEL - 3 HOURS FOR UL
 MAXIMUM SIZE SINGLES - 4'0" X 8'0"
 MAXIMUM SIZE PAIRS - 8'0" X 8'0"

MAXIMUM FIRE LABEL - 90 MIN. WH
 MAXIMUM SIZE SINGLES - 4'0" X 8'0"
 PAIRS NOT AVAILABLE IN WH

**POLYURETHANE DOOR ASSEMBLY
 THERMAL CHARACTERISTIC:**

U FACTOR - 0.36 (NFRC 102-2014)*
 R FACTOR - 2.78 (NFRC 102-2014)*



* THE U AND R VALUES WERE OBTAINED BY TESTING TO NFRC 102-2014 IN A CURRIES MERCURY THERMAL BROKEN FRAME.

June, 2016

KERALITE® FILMED GLASS (FIG03) and (FIG03E)**GLASS DESCRIPTION**

CERAMIC, FILMED FIRE AND SAFETY RATED GLASS

BRAND NAME: KERALITE

GRADE: STANDARD

THICKNESS: 3/16" NOMINAL

WARRANTY: 3 YEARS LIMITED

INCLUDES: PVC CLOSED CELL FOAM GLAZING TAPE, EXTERIOR DOORS WILL HAVE DUO-SIL FOR CAP BEAD

IMPACT SAFETY RATING: CAT 1, CAT II, CPSC 16CFR1201

FIRE LISTINGS

UL AND INTERTEK/WAR-NOCK-HERSEY APPROVED, POSITIVE PRESSURE. GLASS IS MARKED IN ACCORDANCE WITH INTERNATIONAL BUILDING CODE SECTION 715.4.6 AND 2406.

RATING	MAXIMUM EXPOSED AREA	MAXIMUM WIDTH	MAXIMUM HEIGHT	DOOR SERIES
20, 45, 60, AND 90	2736 SQ IN	36"	76"	707, 747, 777 847, 857
45, 60, AND 90 TR*	100 SQ IN PER LEAF	12"	33"	727, 747-TR*
180	100 SQ IN PER LEAF	12"	33"	707, 727, 747, 747-TR*, 777, 847, 857

*TEMPERATURE RISE

KERALITE® LAMINATED GLASS (FIG04) and (FIG04E)**GLASS DESCRIPTION**

CERAMIC, LAMINATED FIRE AND SAFETY RATED GLASS

BRAND NAME: KERALITE

GRADE: STANDARD

THICKNESS: 5/16" NOMINAL

WARRANTY: 5 YEARS LIMITED

INCLUDES: PVC CLOSED CELL FOAM GLAZING TAPE, EXTERIOR DOORS WILL HAVE DUO-SIL FOR CAP BEAD

IMPACT SAFETY RATING: CAT 1, CAT II, CPSC 16CFR1201

FIRE LISTINGS

UL AND INTERTEK/WAR-NOCK-HERSEY APPROVED, POSITIVE PRESSURE. GLASS IS MARKED IN ACCORDANCE WITH INTERNATIONAL BUILDING CODE SECTION 715.4.6 AND 2406.

RATING	MAXIMUM EXPOSED AREA	MAXIMUM WIDTH	MAXIMUM HEIGHT	DOOR SERIES
20, 45, 60, AND 90	2736 SQ IN	36"	75"	707, 747, 777 847, 857
45, 60, AND 90 TR*	100 SQ IN PER LEAF	12"	33"	727, 747-TR*
180	100 SQ IN PER LEAF	12"	33"	707, 727, 747, 747-TR*, 777, 847, 857

*TEMPERATURE RISE

Experience a safer
and more open world



FIRELITE® NT GLASS (FIG05) and (FIG05E)

GLASS DESCRIPTION

CERAMIC, FILMED FIRE AND SAFETY RATED GLASS

BRAND NAME: FIRELITE NT
 GRADE: PREMIUM
 THICKNESS: 3/16" NOMINAL
 WARRANTY: 3 YEARS LIMITED
 INCLUDES: PVC CLOSED CELL FOAM GLAZING TAPE, EXTERIOR DOORS WILL HAVE DUO-SIL FOR CAP BEAD
 IMPACT SAFETY RATING: CAT 1, CAT II, CPSC 16CFR1201, AND ANSI Z97.1

FIRE LISTINGS

UL APPROVED, POSITIVE PRESSURE. GLASS IS MARKED IN ACCORDANCE WITH INTERNATIONAL BUILDING CODE SECTION 715.4.6 AND 2406.

RATING	MAXIMUM EXPOSED AREA	MAXIMUM WIDTH	MAXIMUM HEIGHT	DOOR SERIES
20, 45, AND 60	3204 SQ IN	36"	89"	707, 747, 777 847, 857
90	2034 SQ IN	36"	56.5"	707, 747, 777 847, 857
45, 60, AND 90 TR*	100 SQ IN PER LEAF	12"	33"	727, 747-TR*
180	100 SQ IN PER LEAF	12"	33"	707, 727, 747, 747-TR*, 777, 847, 857

*TEMPERATURE RISE

FIRELITE® PLUS GLASS (FIG06) and (FIG06E)

GLASS DESCRIPTION

CERAMIC, LAMINATED FIRE AND SAFETY RATED GLASS

BRAND NAME: FIRELITE PLUS
 GRADE: PREMIUM
 THICKNESS: 5/16" NOMINAL
 WARRANTY: 5 YEARS LIMITED
 INCLUDES: PVC CLOSED CELL FOAM GLAZING TAPE, EXTERIOR DOORS WILL HAVE DUO-SIL FOR CAP BEAD
 IMPACT SAFETY RATING: CAT 1, CAT II, CPSC 16CFR1201, AND ANSI Z97.1

FIRE LISTINGS

UL APPROVED, POSITIVE PRESSURE. GLASS IS MARKED IN ACCORDANCE WITH INTERNATIONAL BUILDING CODE SECTION 715.4.6 AND 2406.

RATING	MAXIMUM EXPOSED AREA	MAXIMUM WIDTH	MAXIMUM HEIGHT	DOOR SERIES
20 AND 45	3204 SQ IN	36"	89"	707, 747, 847, 857
90	2034 SQ IN	36"	56.5"	707, 747, 847, 857
45, 60, AND 90 TR*	100 SQ IN PER LEAF	12"	33"	727, 747-TR*
180	100 SQ IN PER LEAF	12"	33"	707, 727, 747, 747-TR*, 777, 847, 857

*TEMPERATURE RISE

September, 2013

**1/4" TEMPERED GLASS (FIG01) and (FIG01E)****GLASS DESCRIPTION**

1/4" CLEAR TEMPERED GLASS

QUALITY RATING: Q3, ASTM C1036-06

THICKNESS: 1/4" NOMINAL

WARRANTY: 1 YEAR LIMITED

INCLUDES: PVC CLOSED CELL FOAM GLAZING TAPE

EXTERIOR DOORS WILL HAVE DUO-SIL FOR CAP BEAD

IMPACT SAFETY RATING: CAT 1, CAT II, CPSC 16CFR1201

GLASS IS MARKED IN ACCORDANCE WITH INTERNATIONAL BUILDING CODE SECTION 2406
CANNOT BE USED ON FIRE RATED DOORS**1/4" FILMED WIRE GLASS (FIG02) and (FIG02E)****GLASS DESCRIPTION**

1/4" FILM WIRE, FIRE AND IMPACT SAFETY RATED GLASS

QUALITY RATING: Q6, ASTM C1036-06

THICKNESS: 1/4" NOMINAL

WIRE PATTERN: MISCO (DIAMOND PATTERN), BAROQUE (SQUARE PATTERN)

WARRANTY: 1 YEAR LIMITED

INCLUDES: PVC CLOSED CELL FOAM GLAZING TAPE OR PEMKO FG 300090 OR 300045 AS REQUIRED,

EXTERIOR DOORS WILL HAVE DUO-SIL FOR CAP BEAD

IMPACT SAFETY RATING: CAT 1, CAT II, CPSC 16CFR1201, AND ANSI Z97.1

FIRE LISTINGSUL AND INTERTEK/WAR-
NOCK-HERSEY APPROVED,
POSITIVE PRESSURE. GLASS
IS MARKED IN ACCORDANCE
WITH INTERNATIONAL
BUILDING CODE SECTION
715.4.6 AND 2406.

RATING	MAXIMUM EXPOSED AREA	MAXIMUM WIDTH	MAXIMUM HEIGHT	DOOR SERIES
20, AND 45	1296 SQ IN	36"	54"	707, 747, 777 847, 857
45 TR*	100 SQ IN	12"	33"	727, 747-TR*
60	100 SQ IN	12"	33"	707, 727, 747 747-TR*, 777, 847, 857
90	100 SQ IN	12"	33"	707, 727, 747, 747-TR*, 777, 847, 857
20, AND 45	1296 SQ IN	34"	84"	707, 747, 777 847, 857
PEMKO FG 300090				
60	552 SQ IN	12"	46"	707, 747, 777 847, 857
90	552 SQ IN	12"	46"	707, 747, 777 847, 857

*TEMPERATURE RISE

Experience a safer
and more open world



INSULATED GLASS

5/8" INSULATED GLASS (FIG07E)

GLASS DESCRIPTION

5/8" OVERALL INSULATING. LoE2 TEMPERED, ARGON FILLED

THICKNESS: 5/8" NOMINAL

WARRANTY: 10 YEARS LIMITED

INCLUDES: PVC CLOSED CELL FOAM GLAZING TAPE AND DUO-SIL CAP SEAL ON BOTH SIDES AS NEEDED

IMPACT SAFETY RATING: CAT II, CPSC 16CFR1201

GLASS IS MARKED IN: CAT II, CPSC 16CFR1201 AND 2406

CANNOT BE USED ON FIRE RATED DOORS

INSULATING PERFORMANCE

CENTER OF GLASS U FACTOR: .25 BTU/hr•FT²°F

SHADING COEFFICIENT (SC): .42

SOLAR HEAT GAIN (SHGC): .37

UV TRANSMITTANCE: 14%

1" INSULATED GLASS (FIG08E)

GLASS DESCRIPTION

1" OVERALL INSULATING. LoE2 TEMPERED, ARGON FILLED

THICKNESS: 1" NOMINAL

WARRANTY: 10 YEARS LIMITED

INCLUDES: PVC CLOSED CELL FOAM GLAZING TAPE AND DUO-SIL CAP SEAL ON BOTH SIDES AS NEEDED

IMPACT SAFETY RATING: CAT II, CPSC 16CFR1201

GLASS IS MARKED IN: CAT II, CPSC 16CFR1201 AND 2406

CANNOT BE USED ON FIRE RATED DOORS

INSULATING PERFORMANCE

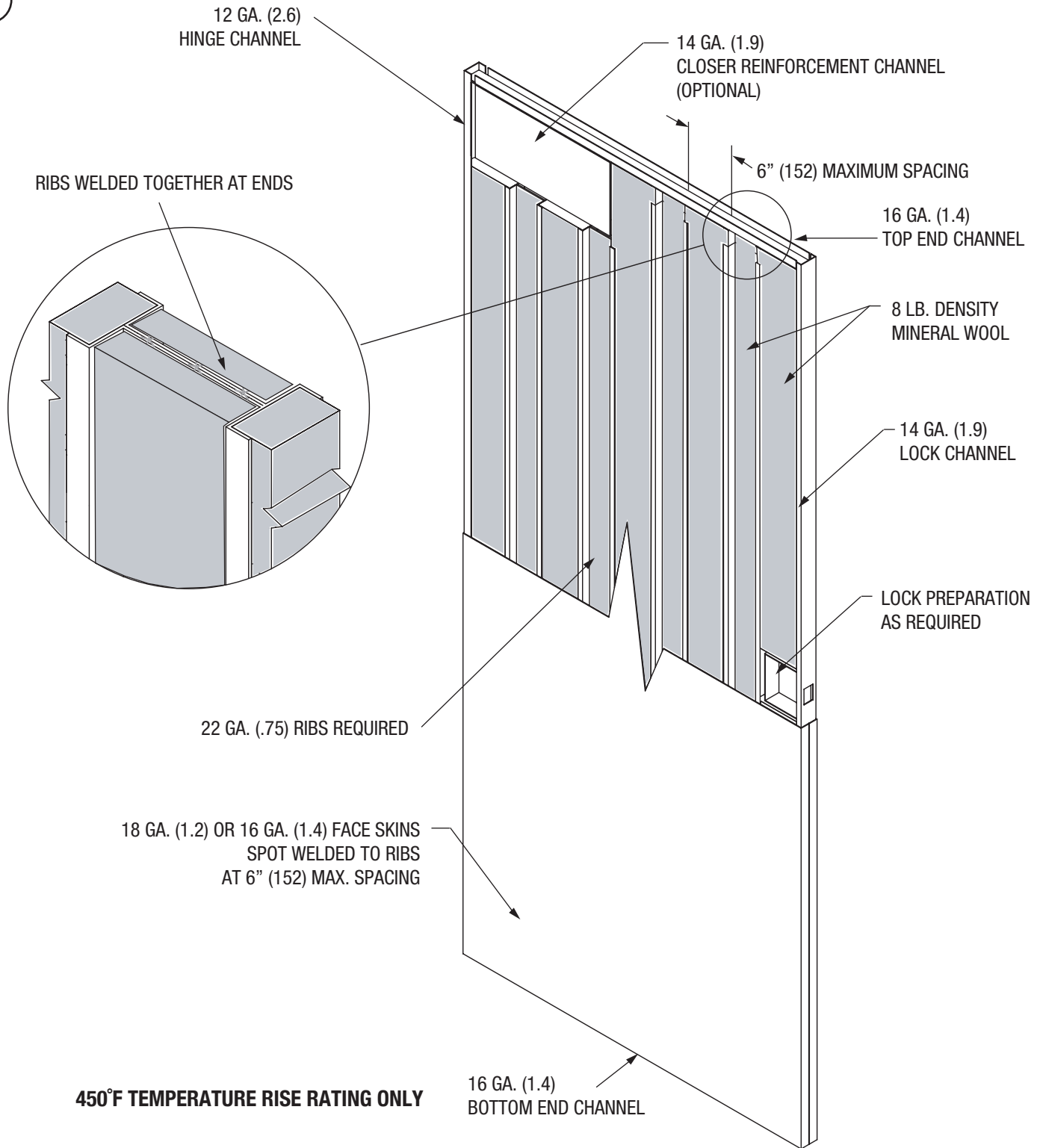
CENTER OF GLASS U FACTOR: .25 BTU/hr•FT²°F

SHADING COEFFICIENT (SC): .41

SOLAR HEAT GAIN (SHGC): .36

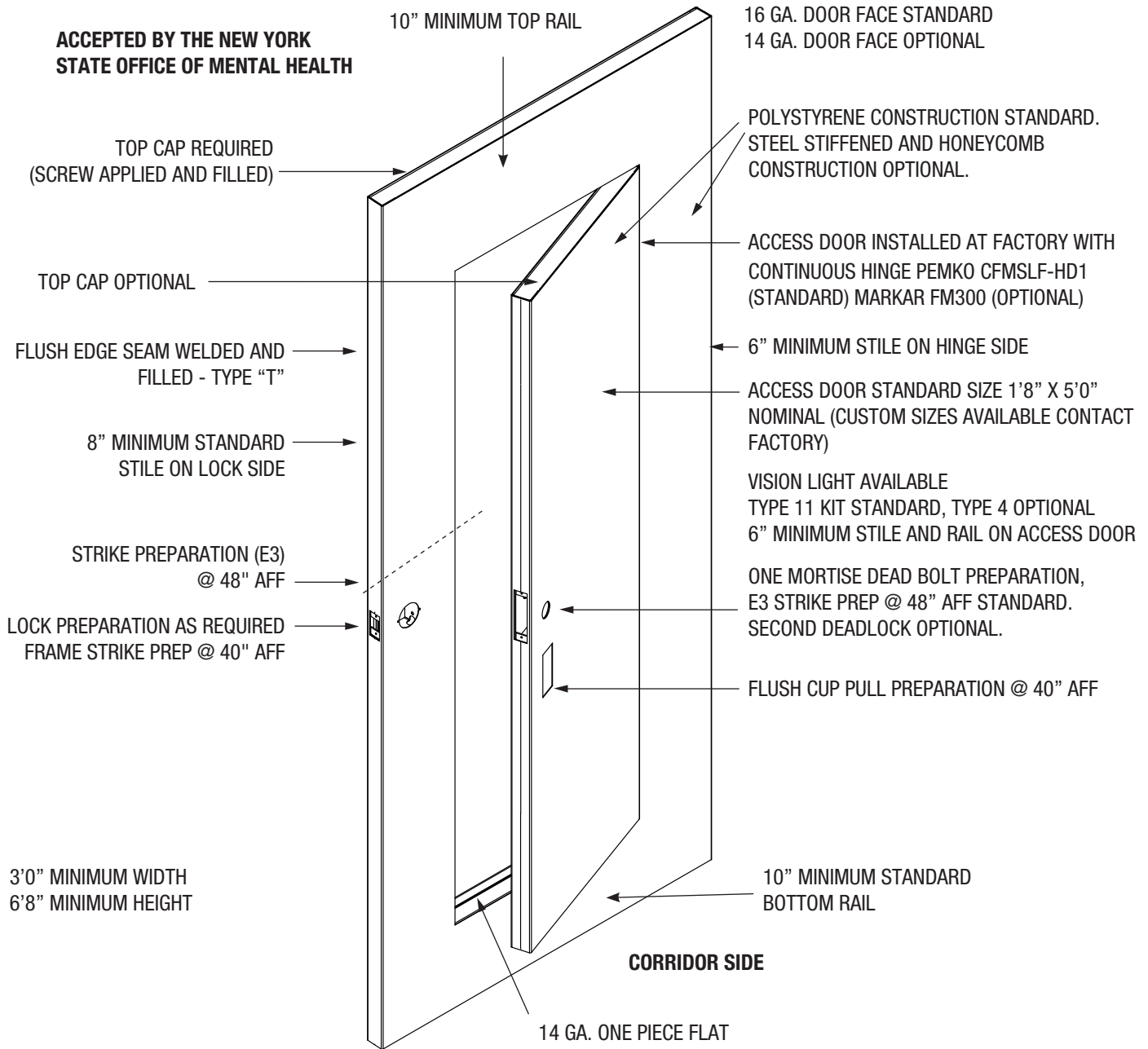
UV TRANSMITTANCE: 13%

March, 2015





STEP THROUGH DOOR



FIRE DOOR LIMITATIONS

MAXIMUM RATING: 45 MINUTES (WARNOCK HERSEY)
 MAXIMUM SIZE: 4'0" X 7'2" (ENTRANCE DOOR)
 CORE TYPE: STEEL STIFFENED ONLY
 DOOR FACE GAUGE: 16 OR 14
 VISION LITE: MAXIMUM 216 SQ IN. TYPE 11 KIT
 FRAME REQUIREMENTS: MINIMUM 16 GAUGE, KD OR WELDED,
 MASONRY OR DRYWALL (COMPRESSION ANCHORS NOT ALLOWED)