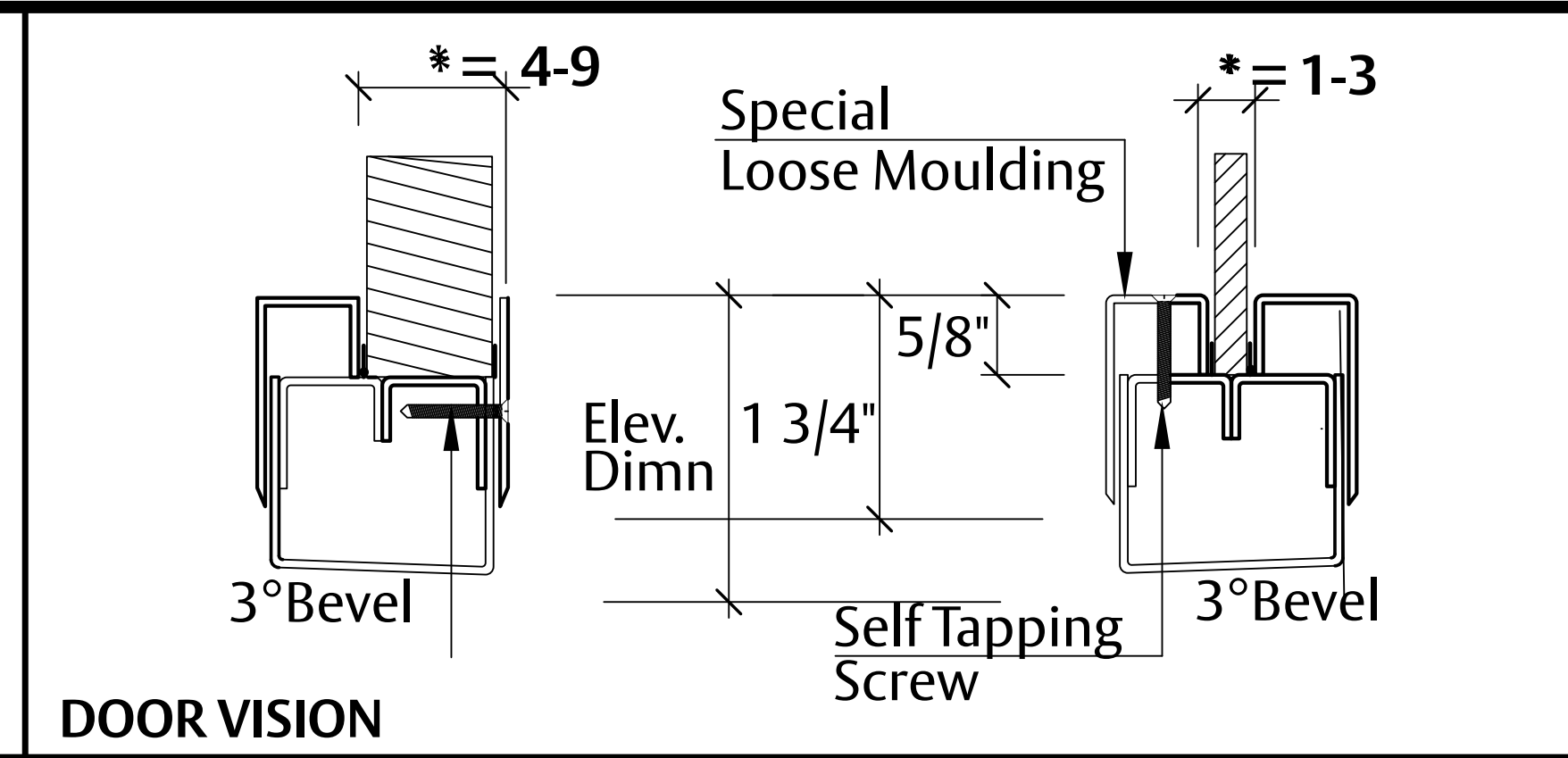
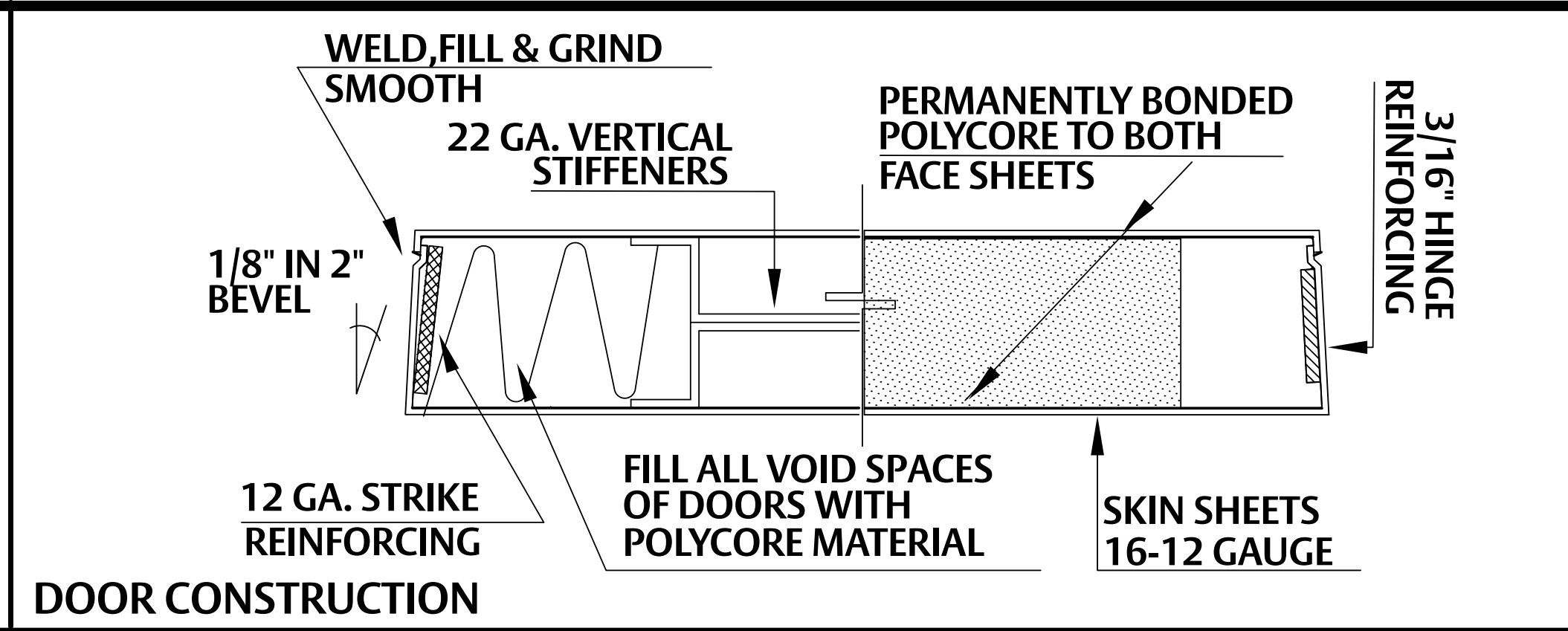
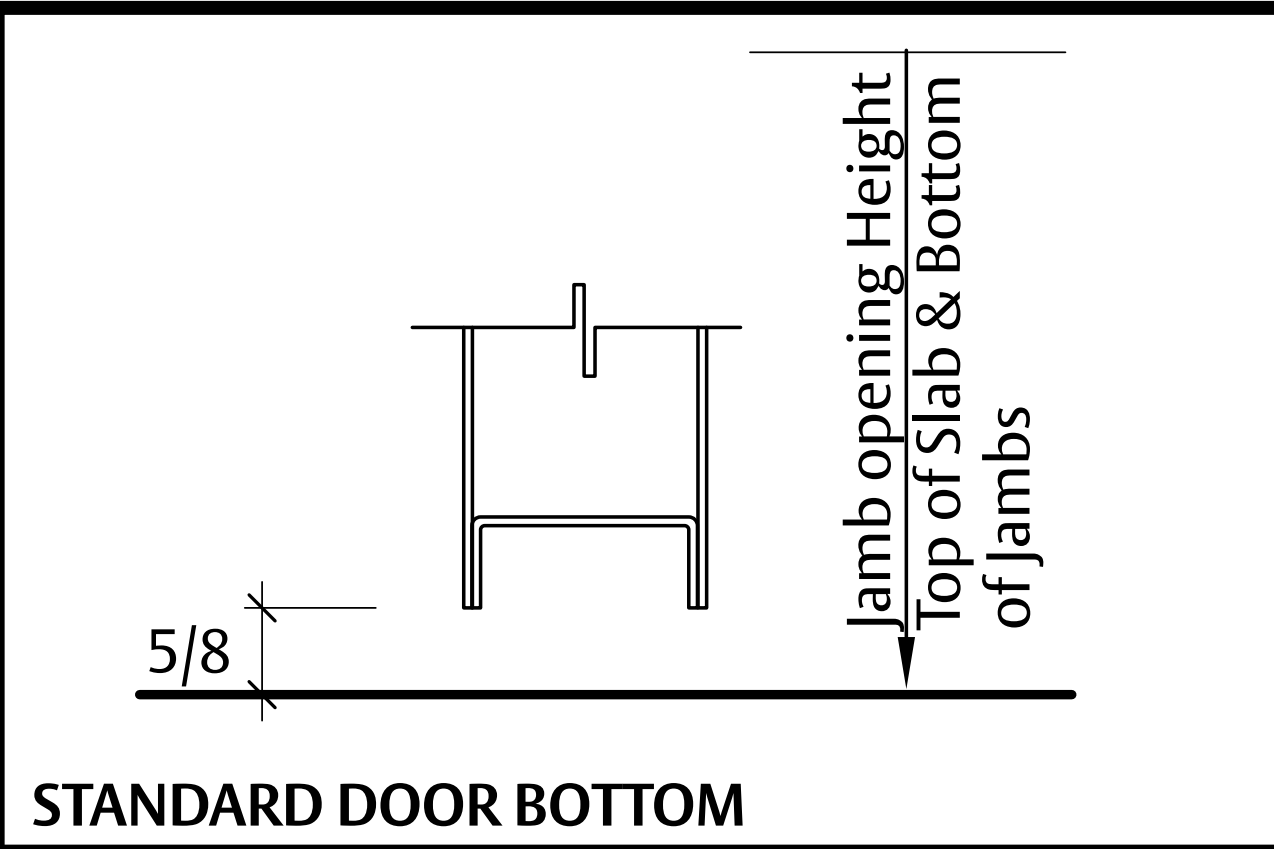


Stainless Steel Door and Frame



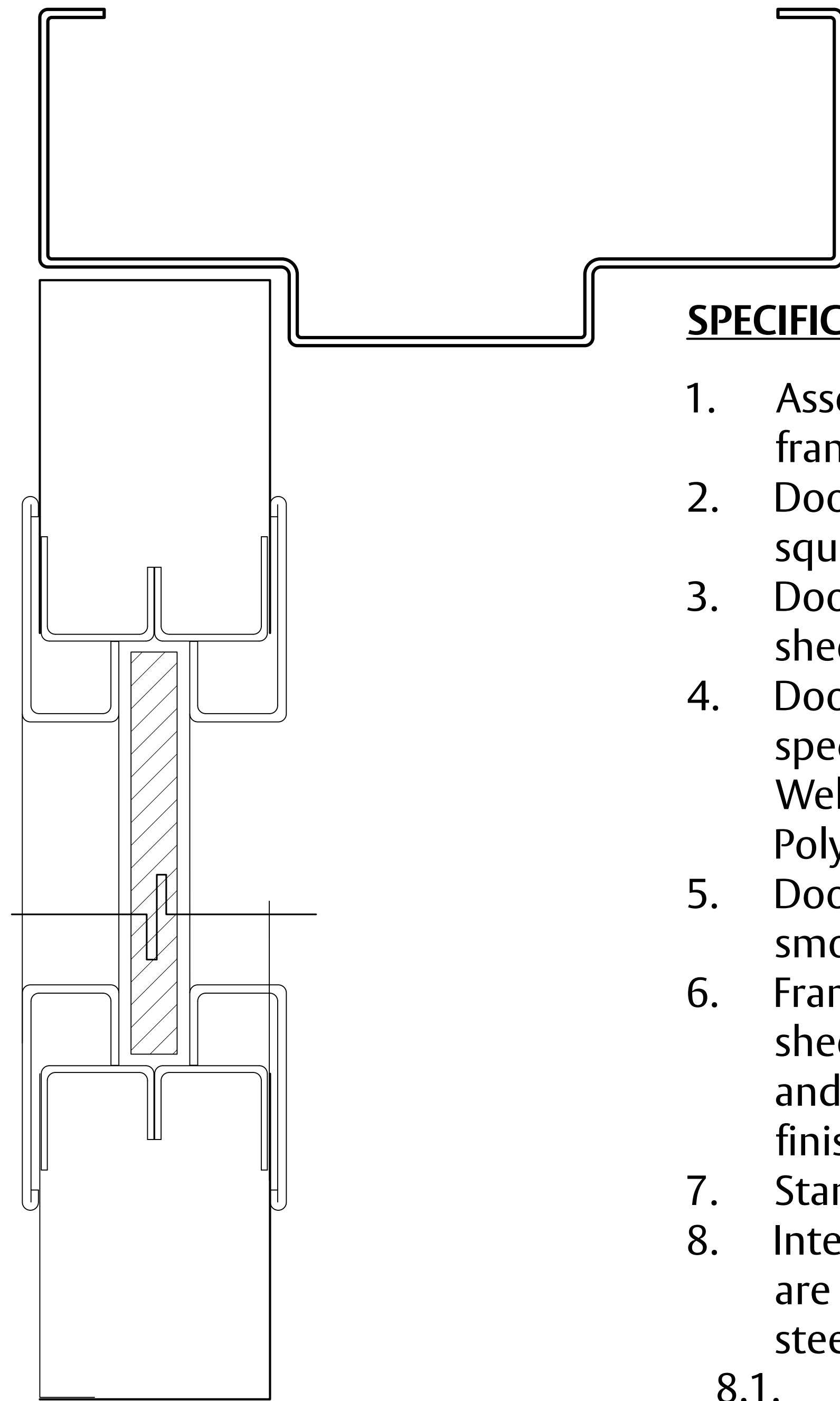
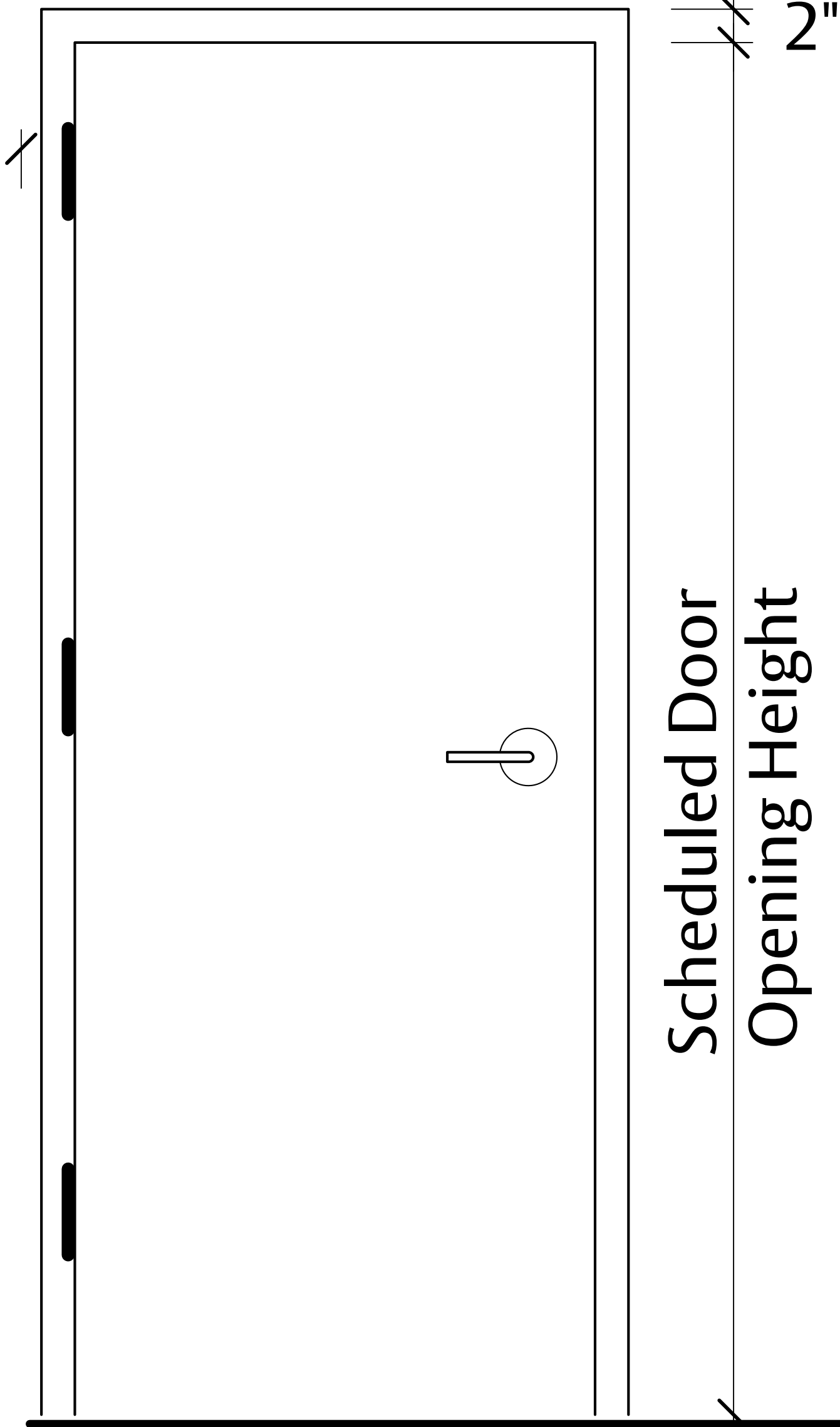
***= GLAZING CODES**

01 - 3/8" @ 1/4" Glass	04 - 3/4" @ 5/8" Glass
02 - 1/2" @ 3/8" Glass	05 - 7/8" @ 3/4" Glass
03 - 5/8" @ 1/2" Glass	06 - 1" @ 7/8" Glass
(Maximum Pocket size)	07 - 1 1/8" @ 1" Glass
SGM SS (Stainless Steel Doors)	08 - 1 1/4" @ 1 1/8" Glass
	09 - 1 3/8" @ 1 1/4" Glass
	(Maximum Pocket Size)

DOOR VISION GLAZING CODES

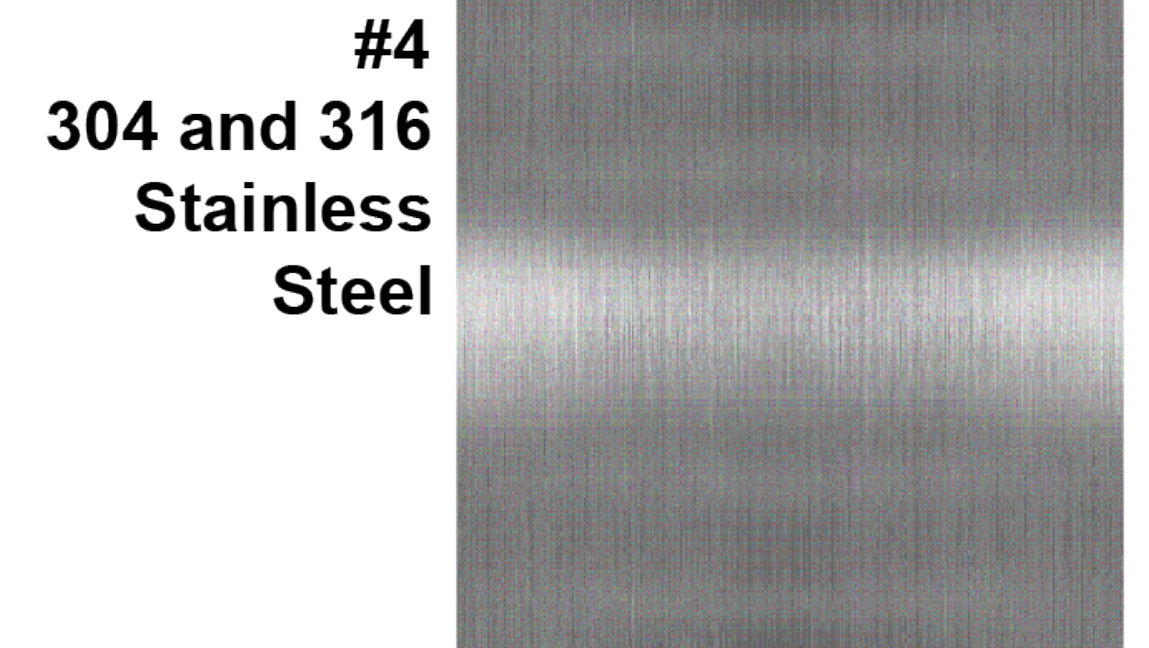
TYPICAL ELEVATION

2" Scheduled Door 2" Opening Width



SPECIFICATIONS:

1. Assembly is equipped with stainless steel HM door, frame, and crated for shipment.
2. Door Thickness is 1 3/4". Door weight is 8 pounds per square foot.
3. Doors are to be formed of no less than 16 Gauge sheet steel. (14 Gauge and 12 Gauge is also available)
4. Doors to have Polystyrene Core standard, unless specified otherwise. (Alternate Cores available are, Welded Rib, Permanently Bonded Rib, and Polyurethane)
5. Doors edges to be continuously welded and finished smooth.
6. Frames are to be formed of no less than 16 Gauge sheet steel with corners mitered, continuously welded and ground smooth and finished to match the material finish. (14 and 12 Gauge is also available)
7. Standard frame profile and anchor types may be used.
8. Internal components of both the door and frame are different between 304 and 316 grade stainless steel.
 - 8.1. 304 will have A60 galvanized internal components.
 - 8.2. 316 will have 316 stainless steel internal components.
9. For watertight stainless steel doors see out watertight line of doors.



Experience a safer
and more open world