



CTE

ENGAGE™ single door controller with mobile enabled multi-technology reader



Overview

The CTE is an ENGAGE™ enabled single opening controller that allows perimeter and common area openings to be managed in a single system along with Schlage Control™ Mobile Enabled Smart Locks, NDE cylindrical and LE mortise wireless locks. It is ideal for multifamily, commercial mixed use and retail store front applications.

The CTE is designed to work with a Schlage® mobile enabled multi-technology credential reader and interface with an electrified lock, electromagnetic lock, electric strike, automatic operator, or exit device to control an opening.

The CTE single door controller is designed for flexibility and can be managed with ENGAGE™ web and mobile apps or with one of our Physical Access Control Software (PACS) provider systems.

Features and benefits

- Enables around the door solution with ENGAGE functionality
- Built-in Bluetooth and Wi-Fi
- Complete with Schlage MTB11 or MTB15 reader (Required reader interface RS-485)
- No-Tour capable
- Flexible connectivity options: manage with ENGAGE web and mobile apps or with one of our PACS providers
- Inputs: door position (DPS), request to exit (REX), request to enter (REN), remote release (REL)
- Outputs: lock relay, alarm relay, auxiliary (Aux) relay
- Input Power: 12 or 24 VDC or Power over Ethernet (PoE/PoE+)
- Provides DC output power and dry control contacts

CYBERSECURITY

Learn about Allegion's commitment

CTE single door controller specifications

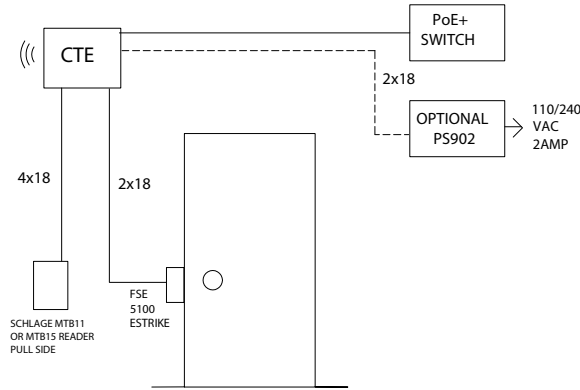
Users	Up to 5,000
Audits	Up to 2,000
Schedules	Up to 16
Holidays	Up to 32
Time zones	Up to 16
Communication Standards	Bluetooth low energy (version 4.2) 2.4 GHz Wi-Fi® (IEEE 802.11b/g/n) WPA2, WPA, WEP, 802.1x (PEAP) Transport Layer Security (TLS) version 1.2 Advanced Encryption Standard (AES), 256-bit
Gateway communication range	Up to 30' in typical building environments. A detailed site survey is recommended. Reference ENGAGE™ Gateway Data Sheet for additional details.
Connectivity options	Mobile (send updates at door) Wi-Fi access point (automatic daily updates) ENGAGE Gateway, IP to host (Networked wireless reader interface) No-Tour ¹
Power Inputs	12 or 24 VDC at 3 Amps input for powered outputs to get Max 2 Amp output on relays, 0.5 Amp minimum input when using dry contacts. PoE/PoE+ (IEEE 802.3af/at)
Powered Outputs: Locking mechanism, Alarm, Aux	12 VDC Input: 2A @ 12 VDC Max (combined output across powered outputs) 24 VDC Input: 2A @ 24 VDC Max (combined output across powered outputs) PoE Input: 0.5A @ 12 VDC Max (combined output across powered outputs) PoE+ Input: 1.5A @ 12 VDC Max (combined output across powered outputs)
Dry Outputs: Locking mechanism, Alarm, Aux	Locking mechanism: 2A @ 30VDC Max
Reader Interface	0.3A @ 12 VDC Max (up to 500 ft.) 12 or 24 VDC Input: 12V @ 0.3A Max Output POE or POE+ Input: 12V @ 0.3A Max Output Aux: 2A @ 30VDC Max Alarm: 2A @ 30VDC Max Reader (Schlage MTBXX) (Required to utilize -485 interface) Schlage MTB11 or MTB15 Reader
Signal Inputs	Request-to-enter (REN) Request-to-exit (REX) Remote Release (REL) -- wired Door position switch (DPS) Tamper (TAMP)
Operating temperature (indoor)	-31°F (-35°C) to 151°F (66°C)
Operating humidity	0 - 100% non-condensing
Certifications	UL 294 Indoor, FCC Part 15, NEMA Enclosure Indoor (Type 1, 4, and 4X), ULC S319 Indoor, RoHS
Dimensions	2.96" x 5.89" x 7.86"

¹ With MT20W and smart credential or mobile credential (consult your access control software provider for specific support)

The CTE single door controller with mobile enabled multi-technology reader reader kit can be used in a variety of applications. Below are a few examples:

Please note all components sold separately.

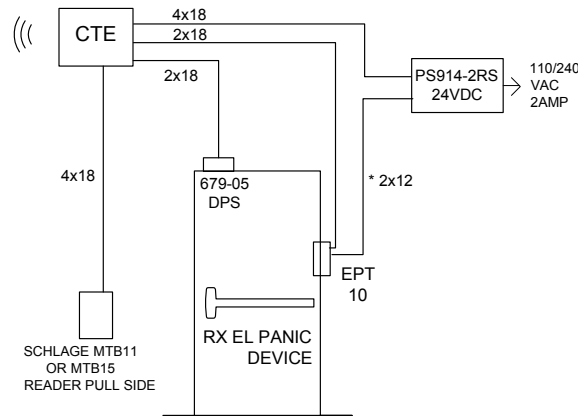
ENGAGE™ cloud via mobile device or Wi-Fi, or PACS provider via Wi-Fi or GWE with IP to host



Operation: Presenting a valid credential to Schlage MTBXX reader will cause fail secure 5100 electric strike to release for authorized entrance. Free egress always.

Products: We offer a variety of electric strikes from Locknetics® and Von Duprin®, as well as Schlage Power Supplies to meet the specific needs of the opening.

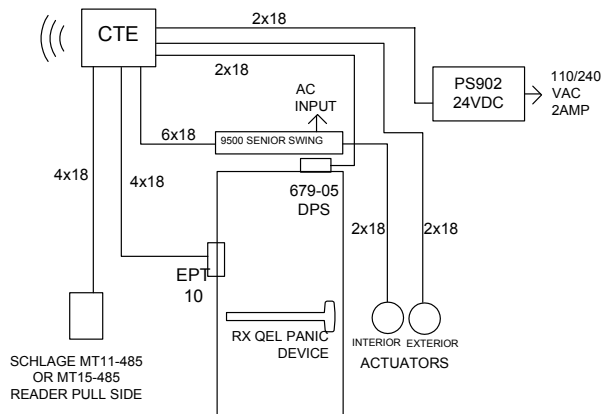
ENGAGE™ cloud via mobile device or Wi-Fi, or PACS provider via Wi-Fi or GWE with IP to host



Operation: Presenting a valid credential to Schlage MTBXX reader will cause EL panic device to retract for authorized entrance. Free non-alarmed egress at all times.

Products: We offer a variety of Falcon® and Von Duprin exit devices, and Von Duprin power supplies to meet the specific needs of the opening.

ENGAGE™ cloud via mobile device or Wi-Fi, or PACS provider via Wi-Fi or GWE with IP to host



Operation: Presenting a valid credential to Schlage MTBXX will cause QEL panic device to retract for authorized entrance and enable exterior actuator. Free non-alarmed egress at all times. Interior actuator always active to retract QEL panic and open door.

Products: We offer a variety of hardware and accessories from Von Duprin, LCN®, Schlage and Locknetics to meet the specific needs of the opening.

Reader requirement



MTB11

MTB15

The CTE single door controller kit is available with two reader options:

- **CTE-MTB11:** CTE with mobile enabled multi-technology mullion reader kit
- **CTE-MTB15:** CTE with mobile enabled multi-technology single gang reader kit

Notes:

- Reader color (black or cream) can be specified; black is the default
- Custom reader configuration can be specified
- Required to utilize RS-485 interface

Credential compatibility

Mobile enabled multi-technology reader specification

Proximity credential compatibility	<p>Compatibility: Schlage®, HID®, GE/CASI ProxLite®, AWID® and LenelProx®</p> <p>Schlage credential style formats: Clamshell, ISO card, ISO card with magnetic stripe, keyfob, thin keyfob and PVC adhesive disk</p>
Smart credential compatibility ¹	<p>Secure sector compatibility: Schlage MIFARE Classic®, Schlage MIFARE Plus®, Schlage MIFARE DESFire EV1 and EV2 with PACSA</p> <p>CSN only compatibility²: DESFire, HID iClass®, Inside Contactless Pico Tag®, MIFARE, Schlage MIFARE DESFire EV1 and EV2, ST Microelectronics®, Texas Instruments Tag-It®, Phillips I-Code®</p> <p>Schlage credential style formats: Clamshell, ISO card, ISO card with magnetic stripe, keyfob, thin keyfob, wearable wristband, PVC adhesive patch</p>
Mobile credential compatibility	<p>Compatibility: Schlage Mobile Credential with Bluetooth³, Integrated PACS Mobile Credential with Bluetooth⁴, NFC-enabled mobile devices⁴</p>

¹ No-Tour applications using smart credentials require minimum memory size of 8k bit/1K byte.

⁴ Dependent on PACS provider integrations and capabilities. Go to us.allegion.com/alliances for more information.

² Configuration card required to enable CSN.

³ Supported through ENGAGE

The CTE can operate in the same system as Schlage Control™, NDE and LE wireless locks.

Manage with ENGAGE™ cloud based web and mobile apps or with one of our PACS providers.

To learn more visit allegionengage.com.

Allegion takes a broad and deep approach to ensuring the safety and security of its products. The cybersecurity program at Allegion is designed around four pillars: security and privacy by design, built on proven security practices, security updates & vulnerability management, and testing by internal and external experts.

ENGAGE™ cloud-based web and mobile applications



The ENGAGE cloud-based web and mobile applications deliver simple and convenient site set-up with basic access management for users and locks. Please refer to the ENGAGE data sheet for additional detail.



Allegion, the Allegion logo, ENGAGE, Falcon, LCN, Schlage, the Schlage logo and Von Duprin are trademarks of Allegion plc, its subsidiaries and/or affiliates in the United States and other countries. All other trademarks are the property of their respective owners.

About Allegion

Allegion (NYSE: ALLE) is a global pioneer in safety and security, with leading brands like CISA®, Interflex®, LCN®, Schlage®, SimonsVoss® and Von Duprin®. Focusing on security around the door and adjacent areas, Allegion produces a range of solutions for homes, businesses, schools and other institutions. Allegion is a \$2 billion company, with products sold in almost 130 countries. For more, visit www.allegion.com.

