

Hospital Push/Pull Latches



Innovation, Quality,
Customer Service...

LR6000 Series – Ligature-Resistant Cylindrical Latches

Standard Features

- New ligature-resistant design provides a sleek look as well as functionality not commonly found in push/pull trim
- Cylindrical latch application – passage function
- 1-3/4" standard door thickness (specify if different)
- Meets ADA requirements
- Trim is mounted using four thru-bolts for maximum stability
- Non-handed for installation and stocking ease
- Trim can be mounted vertical or horizontal (with handles pointing toward hinge edge of door)
- UL Listed in U.S.A. and Canada for use on door fire rated 90 minutes or less, up to 4'0" x 8'0"
- LR trim also available for mortise lock bodies – LR6600 and LR6700 Series (See pages C-16 and C-20 for details)
- 1/2" Latch Bolt Throw
- Patent# 7,258,374 & Additional Patents Pending

Optional "Q"
Quiet Latch available
- Zero decibels gained
when operating
the handles.
Patent(s) pending.



Optional Custom Engraving Shown

How to Order:

Example: LR6000 2 A - US32D - AM

Model: _____

- LR6000

Latch Backset: _____

- 2 = 2-3/4" • 5 = 5"
- 3 = 3-3/4" • 7 = 7"

Strike: _____

- T = 2-3/4" T-Strike
- A = 4-7/8" ASA Strike

Finish: _____

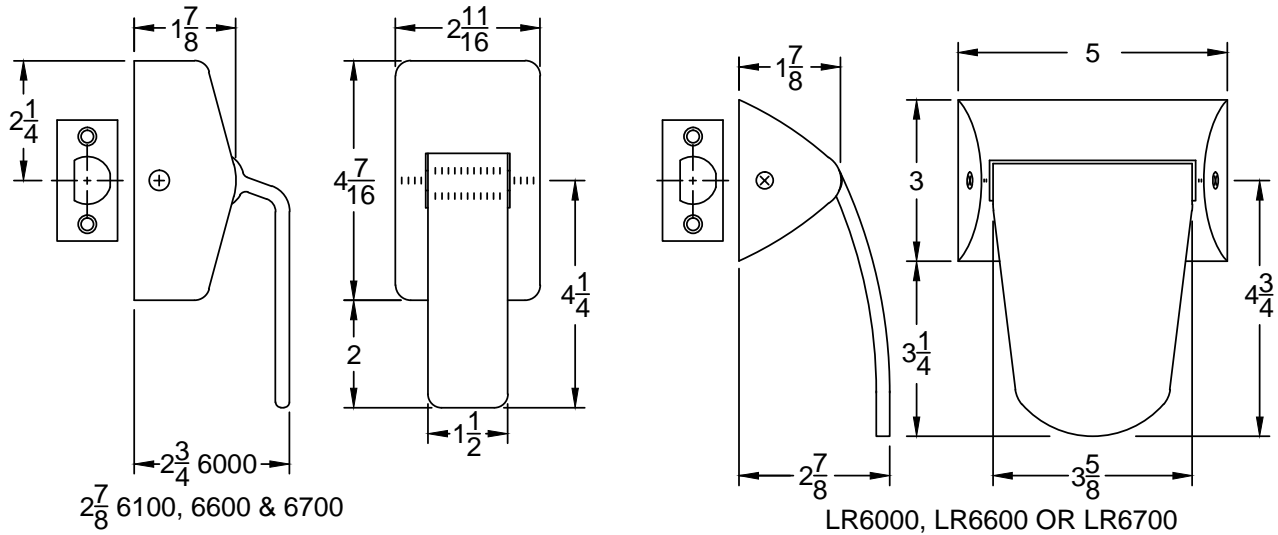
- US32D • US32 • US10B • US3
- US26D • US26 • US10 • US4

Options, if Needed: _____

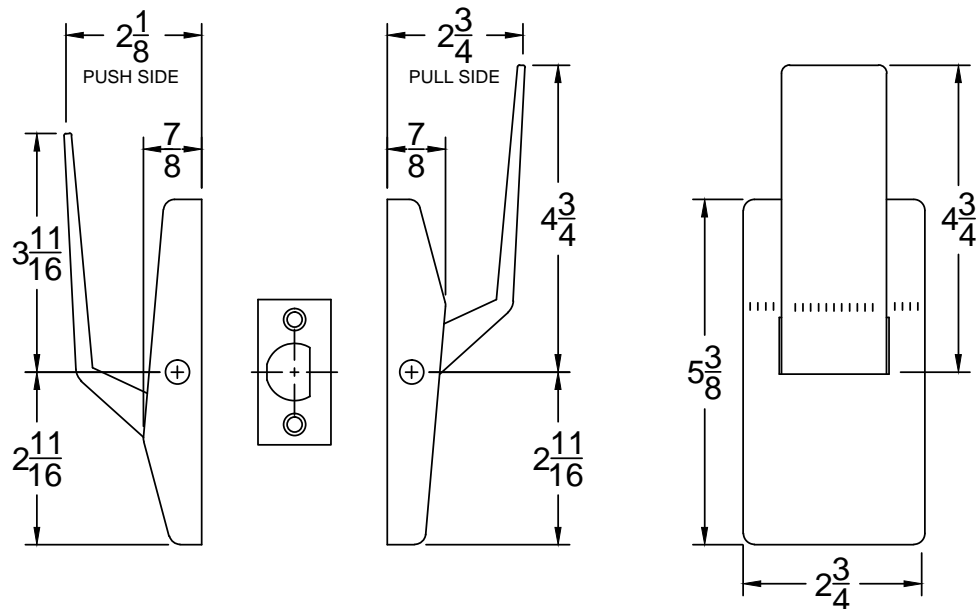
- AM • L • PL • PS • SEC • THICK • P • Q
- (See pages C-3 to C-5 for details)



PUSH PULL LATCH DIMENSIONAL OUTLINE



6800 SERIES - LOW PROFILE



www.abhmfg.com
 E-mail: abhinfo@abhmfg.com
 Architectural Builders Hardware Mfg., Inc.
 1222 Ardmore Ave., Itasca, IL 60143
 630.875.9900; FAX 800.9FAXABH (932.9224)

PUSH-PULL DIMENSIONAL OUTLINE-03.DWG

PUSH/PULL DIMENSIONAL
OUTLINE

© 2015 ABH Mfg., Inc.
printed in USA

PAGE 1 OF 1
REVISED 06-24-15

Hospital Push/Pull Latches

Type	ABH*	GJ*	ASSA Abloy*			Trimco*	
			Rockwood*	Sargent*	Corbin Russwin*		
Cylindrical Latch	6000**	HL6	596	-	-	-	
	6800**	-	-	114 115	-	1562	
	6800Q	-	-	-	-	-	
	LR6000	-	-	-	HPU15 ALP	HP3010 HPSK	-
	LR6000Q	-	-	-	-	-	-
	6000PL 6000PS	HL6-EO	-	-	-	-	-
	6800PL 6800PS	-	-	-	-	-	1562AE
	6100	-	-	-	-	-	-
	6200	-	-	-	-	-	-
	6400	PL7	-	-	-	-	1652L
	6500	PL8	-	-	-	-	-
	6830	-	-	-	-	-	1591
	Trim with Mortise Lock Body	6600	HL6-9000	-	7800 PT	-	1562 M55 1562 Q55
LR6600		-	-	8200 ALP	ML2000 x HPSK	-	
Trim Only for Other Manufacturers' Mortise Lock Body	6700	-	-	-	-	-	
	LR6700	-	-	-	-	-	

*Brand names are trademarks or registered trademarks of their respective companies.



US32D - 630 - Satin Stainless Steel



US26D - 626 - Satin Chrome



US10B - 613 - Oil Rubbed Bronze



US10 - 612 - Satin Bronze



US4 - 606 - Satin Brass



S1 - 689 - Painted Aluminum



S2 - Painted Brass (to match US4)



S3 - Painted Bronze (to match US10)



S4 - Painted Black



S5 - Painted Dark Bronze (to match US10B)



S8 - Painted White



US3 - 605 - Bright Brass



US32 - 629 - Bright Stainless Steel



US26 - 625 - Bright Chrome