

Arm & Foot Pull

Hands-Free Door Opener

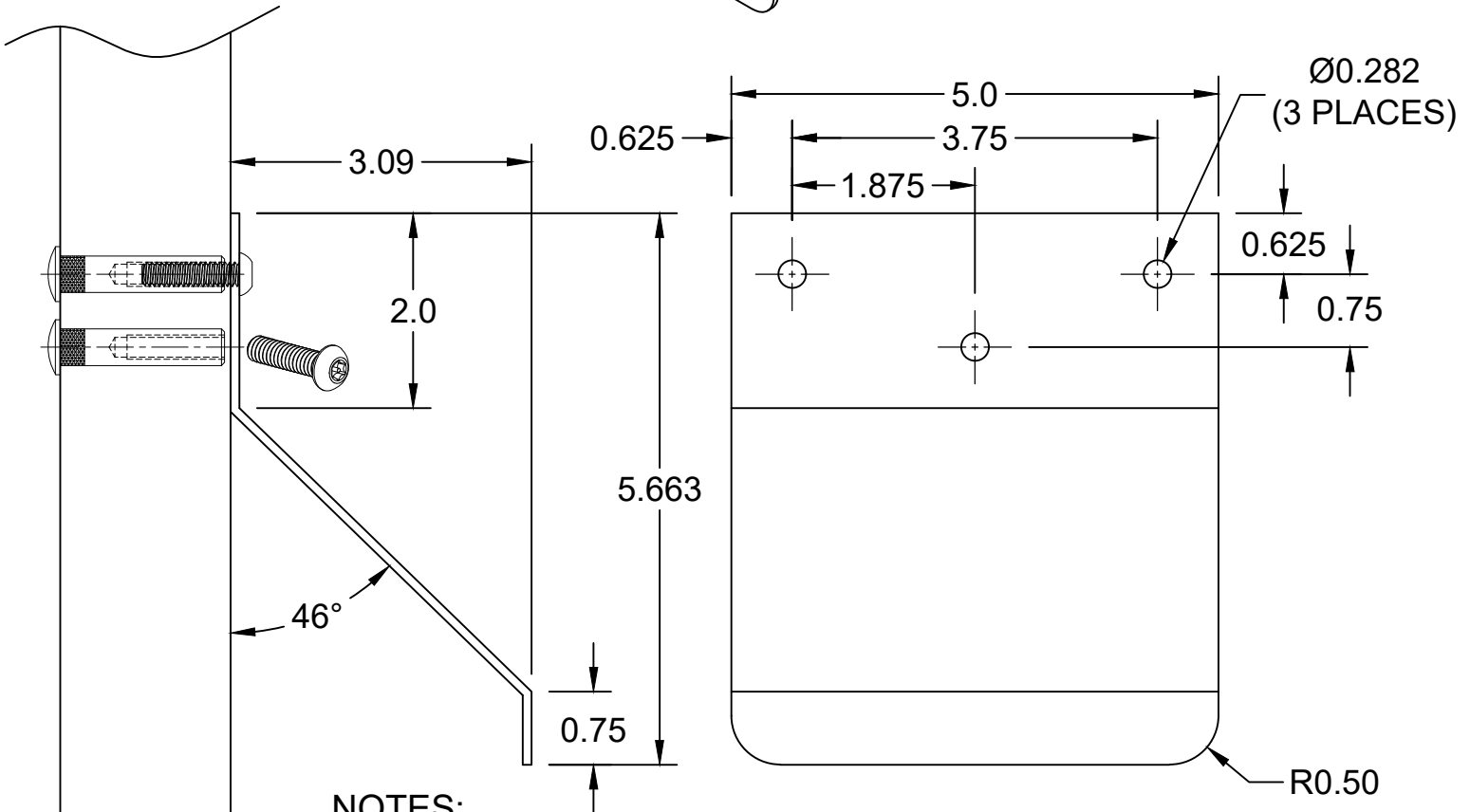
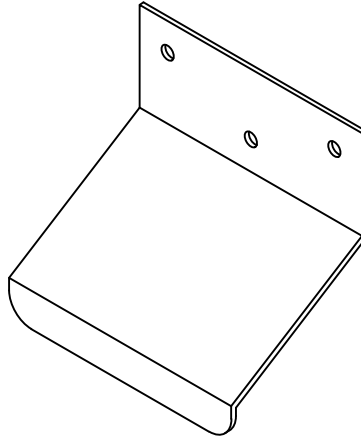


***Arm & Foot operated door opener that works
on any latchless commercial wood or metal door.***

- Eliminate the spread of germs, prevent cross-contamination, reduce costs.
 - Open the door when your hands are full.
 - Increase accessibility in your facility.
- Standard US32D Finish - Other Finishes Available.
 - *Copper Antimicrobial Option Available.*

Contact ABH[®] for more details.

FP100 FOOT PULL



NOTES:

1. ALL DIMENSIONS ARE IN INCHES.
2. DO NOT SCALE DRAWING.
3. MATERIAL: .090 THICK STAINLESS STEEL.
4. THRU-BOLTS TO BE USED ON WOOD & METAL DOORS.

DOOR

QTY	SCREW DETAIL
3	#1/4-20x1" S.S. PIN TORX ROUND HEAD MACHINE SCREW
3	3/8" DIA.x1-11/16" LG. SEX BOLT FOR #1/4-20 SCREW

FP100 FOOT PULL-01.DWG



www.abhmfg.com
 E-mail: abhinfo@abhmfg.com
 Architectural Builders Hardware Mfg., Inc.
 1222 Ardmore Ave., Itasca, IL 60143
 630.875.9900; FAX 800.9FAXABH (932.9224)

FP100 FOOT PULL

© 2020 ABH Mfg., Inc.
printed in USA

PAGE 1 OF 1
ISSUED 04-06-20



US32D - 630 - Satin Stainless Steel



US26D - 626 - Satin Chrome



US10B - 613 - Oil Rubbed Bronze



US10 - 612 - Satin Bronze



US4 - 606 - Satin Brass



S1 - 689 - Painted Aluminum



S2 - Painted Brass (to match US4)



S3 - Painted Bronze (to match US10)



S4 - Painted Black



S5 - Painted Dark Bronze (to match US10B)



S8 - Painted White



US3 - 605 - Bright Brass



US32 - 629 - Bright Stainless Steel



US26 - 625 - Bright Chrome