

Pocket Pivots

0519 – Pocket Door Pivot

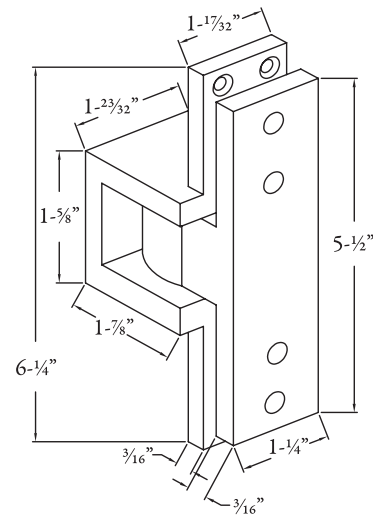
Meets or exceeds
ANSI C07611

Standard Features

- Pivot point is located inside the frame
- Allows door to swing into a pocket in the frame at a right angle
- When the door is in the pocket, it is completely clear of the door opening and flush with adjacent wall
- Maximum door swing is 90°
- Minimum three pocket pivots per door 60" - 90" tall
- Add one pocket pivot for each additional 30" door height
- Maximum door load per pivot - 90 pounds
- Non-handed
- UL listed for use on 3-hour fire rated doors - **Standard**
- Heavy duty stainless steel needle bearings
- Stainless steel base material

Options

- SEC - Security fasteners



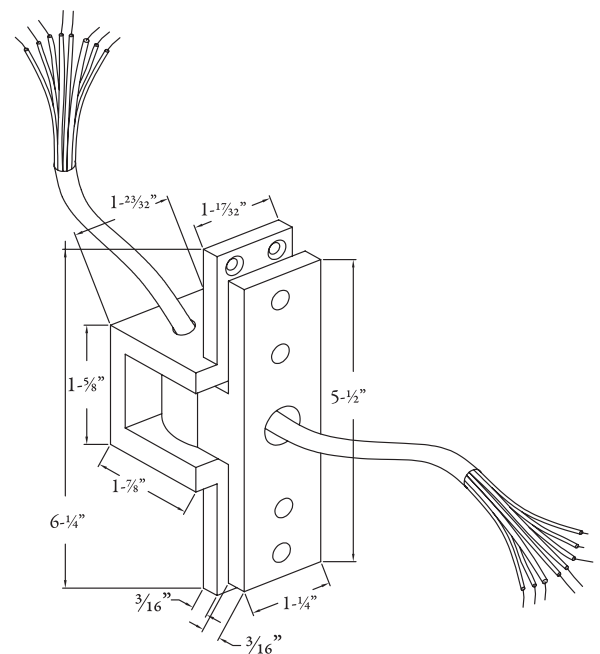
E0519 – Electrified Pocket Door Pivot

Standard Features

- Pivot point is located inside the frame
- Allows door to swing into a pocket in the frame at a right angle
- When the door is in the pocket, it is completely clear of the door opening and flush with adjacent wall
- Maximum door swing is 90°
- Maximum door load per pivot - 90 pounds
- Non-handed
- UL listed for use on 3-hour fire rated doors - **Standard**
- Heavy duty stainless steel needle bearings
- Stainless steel base material

Options

- EZ - EZ Connect Molex® Connectors for installation ease
- SEC - Security fasteners





US32D - 630 - Satin Stainless Steel



US26D - 626 - Satin Chrome



US10B - 613 - Oil Rubbed Bronze



US10 - 612 - Satin Bronze



US4 - 606 - Satin Brass



S1 - 689 - Painted Aluminum



S2 - Painted Brass (to match US4)



S3 - Painted Bronze (to match US10)



S4 - Painted Black



S5 - Painted Dark Bronze (to match US10B)



S8 - Painted White



US3 - 605 - Bright Brass



US32 - 629 - Bright Stainless Steel



US26 - 625 - Bright Chrome