

# Arm & Foot Pull

## Hands-Free Door Opener

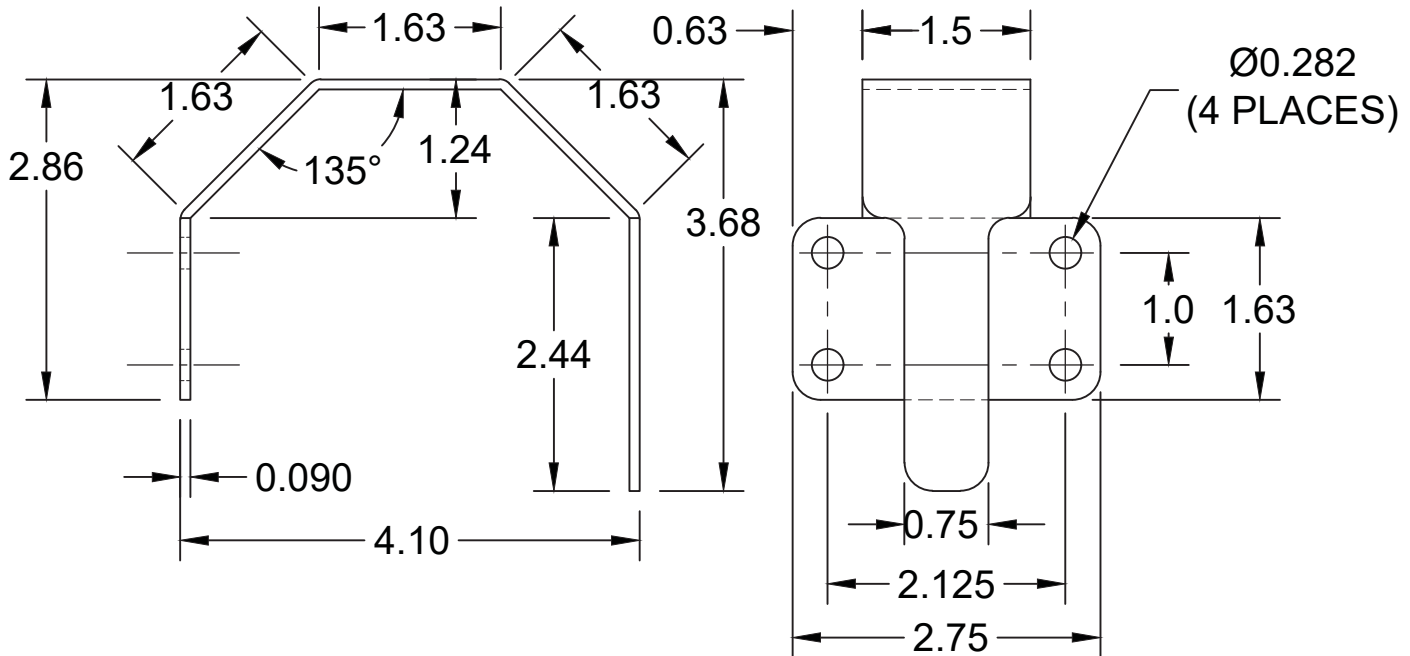
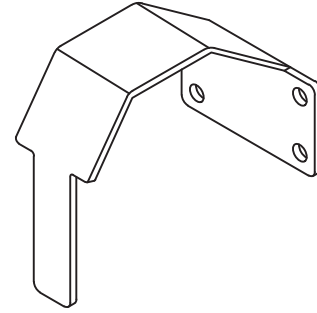
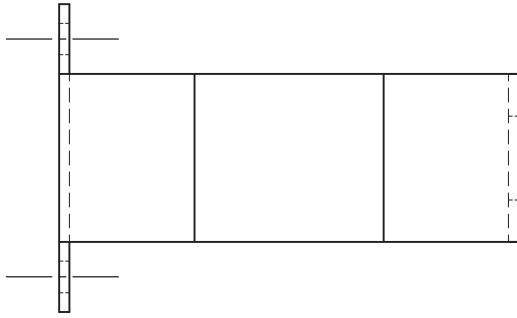


***Arm & Foot operated door opener that works  
on any latchless commercial wood or metal door.***

- Eliminate the spread of germs, prevent cross-contamination, reduce costs.
  - Open the door when your hands are full.
  - Increase accessibility in your facility.
- Standard US32D Finish - Other Finishes Available.
  - *Copper Antimicrobial Option Available.*

*Contact ABH<sup>®</sup> for more details.*

# AP100 ARM PULL



## NOTES:

1. ALL DIMENSIONS ARE IN INCHES.
2. DO NOT SCALE DRAWING.
3. MATERIAL: .090 THICK STAINLESS STEEL.

## SCREW DETAIL

QTY	WOOD	METAL
4	#14x1-1/4" S.S. PIN TORX PAN HEAD SHEET METAL SCREW	#1/4-20x1" S.S. PIN TORX PAN HEAD SELF DRILL THREAD FORMING TEK SCREW
4	#1/4-20x1-1/4" S.S. PIN TORX ROUND HEAD SHEET MACHINE SCREW	
4	3/8" DIA.x1-11/16" LG. SEX BOLT FOR #1/4-20 SCREW	

AP100 ARM PULL.DWG



www.abhmfg.com  
E-mail: abhinfo@abhmfg.com  
Architectural Builders Hardware Mfg., Inc.  
1222 Ardmore Ave., Itasca, IL 60143  
630.875.9900; FAX 800.9FAXABH (932.9224)

# AP100 ARM PULL

© 2020 ABH Mfg., Inc.  
printed in USA

PAGE 1 OF 1  
ISSUED 03-18-20



US32D - 630 - Satin Stainless Steel



US26D - 626 - Satin Chrome



US10B - 613 - Oil Rubbed Bronze



US10 - 612 - Satin Bronze



US4 - 606 - Satin Brass



S1 - 689 - Painted Aluminum



S2 - Painted Brass (to match US4)



S3 - Painted Bronze (to match US10)



S4 - Painted Black



S5 - Painted Dark Bronze (to match US10B)



S8 - Painted White



US3 - 605 - Bright Brass



US32 - 629 - Bright Stainless Steel



US26 - 625 - Bright Chrome