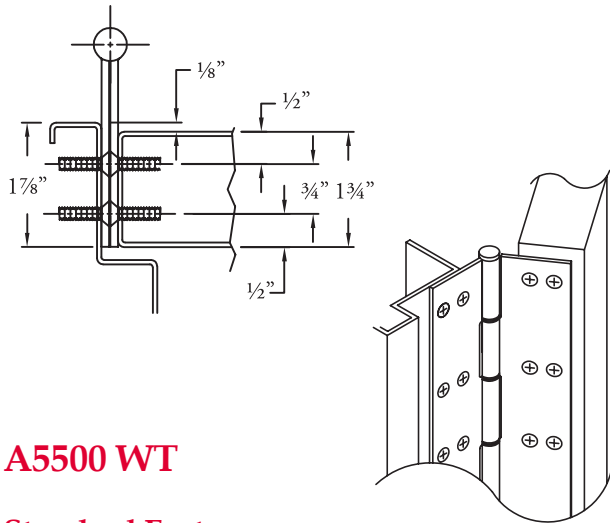


Full Concealed



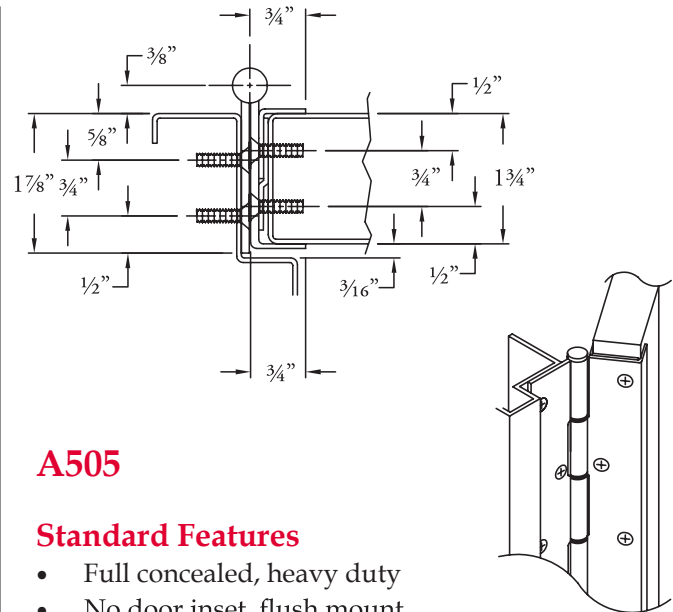
A5500 WT

Standard Features

- Full concealed, heavy duty
- 12 gauge 304 grade stainless steel material
- 1/8" door inset
- Wide throw for applications that need extra clearance for the door or the frame - 5" maximum from center of barrel to edge of hinge leaf
- The use of a caster on the lock side of tall or heavier doors is recommended to help carry to offset load
- 48" door width maximum
- 600 lbs. door weight maximum
- **Fasteners:** 12-24 x 1/2" undercut machine screws, stainless steel
- **Lengths:** 78-3/4", 83-1/8", 85" and 95"
- **Finishes:** US32D Satin Stainless Steel or US32 Bright Stainless Steel
- **Fire Rating** - tested and certified by UL® (U.S.A. and Canada) on 4'0" x 10'0" fire rated doors, based on the following
 - 20 minutes - wood doors
 - 90 minutes - hollow metal and composite core wood fire doors
 - 3 hours - hollow metal doors

Options Available

- See pages G-6 to G-7 for modification availability and details



A505

Standard Features

- Full concealed, heavy duty
- No door inset, flush mount
- Door edge guard on both faces of door
- 48" door width maximum
- 600 lbs. door weight maximum
- **Fasteners:** 10-24 x 7/8" undercut, self-drilling, thread-forming tek machine screws, stainless steel and #10 x 1-1/4" undercut wood screws, stainless steel
- **Lengths:** 78-3/4", 83-1/8", 85", 95" and 118-3/4"
- **Finishes:** US32D Satin Stainless Steel or US32 Bright Stainless Steel
- **Fire Rating** - tested and certified by UL® (U.S.A. and Canada) on 4'0" x 10'0" fire rated doors, based on the following
 - 20 minutes - wood doors
 - 90 minutes - hollow metal and composite core wood fire doors
 - 3 hours - hollow metal doors

Options Available

- See pages G-6 to G-7 for modification availability and details





US32D - 630 - Satin Stainless Steel



US26D - 626 - Satin Chrome



US10B - 613 - Oil Rubbed Bronze



US10 - 612 - Satin Bronze



US4 - 606 - Satin Brass



S1 - 689 - Painted Aluminum



S2 - Painted Brass (to match US4)



S3 - Painted Bronze (to match US10)



S4 - Painted Black



S5 - Painted Dark Bronze (to match US10B)



S8 - Painted White



US3 - 605 - Bright Brass



US32 - 629 - Bright Stainless Steel



US26 - 625 - Bright Chrome