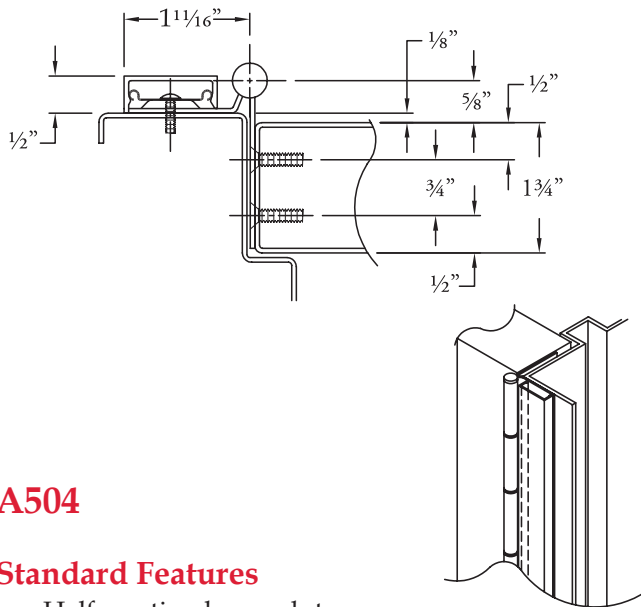


Half Mortise



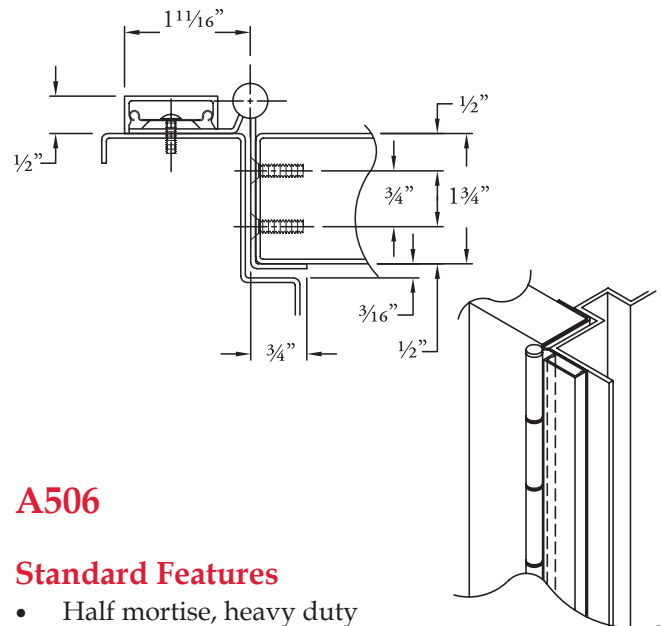
A504

Standard Features

- Half mortise, heavy duty
- 1/8" door inset
- 48" door width maximum
- 600 lbs. door weight maximum
- Frame leaf fastener cover is clear anodized aluminum
- **Fasteners:** 10-24 x 7/8" undercut, self-drilling, thread-forming tek machine screws, stainless steel for door and 1/4 -20 x 3/4" round head self-drilling tek machine screws, zinc plated for frame
- **Lengths:** 78-3/4", 83-1/8", 85", 95" and 118-3/4"
- **Finishes:** US32D Satin Stainless Steel or US32 Bright Stainless Steel
- **Fire Rating** - tested and certified by UL® (U.S.A. and Canada) on 4'0" x 10'0" fire rated doors, based on the following
 - 20 minutes - wood doors
 - 90 minutes - hollow metal and composite core wood fire doors
 - 3 hours - hollow metal doors

Options Available

- See pages G-6 to G-7 for modification availability and details



A506

Standard Features

- Half mortise, heavy duty
- No door inset, flush mount
- Door edge guard on stop side only
- 48" door width maximum
- 600 lbs. door weight maximum
- Frame leaf fastener cover is clear anodized aluminum
- **Fasteners:** 10-24 x 7/8" undercut, self-drilling, thread-forming tek machine screws, stainless steel for door and 1/4 -20 x 3/4" round head self-drilling tek machine screws, zinc plated for frame
- **Lengths:** 78-3/4", 83-1/8", 85", 95" and 118-3/4"
- **Finishes:** US32D Satin Stainless Steel or US32 Bright Stainless Steel
- **Fire Rating** - tested and certified by UL® (U.S.A. and Canada) on 4'0" x 10'0" fire rated doors, based on the following
 - 20 minutes - wood doors
 - 90 minutes - hollow metal and composite core wood fire doors
 - 3 hours - hollow metal doors

Options Available

- See pages G-6 to G-7 for modification availability and details





US32D - 630 - Satin Stainless Steel



US26D - 626 - Satin Chrome



US10B - 613 - Oil Rubbed Bronze



US10 - 612 - Satin Bronze



US4 - 606 - Satin Brass



S1 - 689 - Painted Aluminum



S2 - Painted Brass (to match US4)



S3 - Painted Bronze (to match US10)



S4 - Painted Black



S5 - Painted Dark Bronze (to match US10B)



S8 - Painted White



US3 - 605 - Bright Brass



US32 - 629 - Bright Stainless Steel



US26 - 625 - Bright Chrome