

6400 & 6500 – Privacy Cylindrical Latches

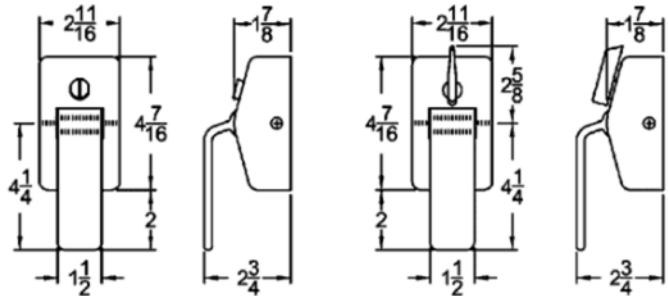
Standard Features

- Designed for patient bathroom applications with the privacy-actuated thumb turn on one side and the override knob on the opposite side in case of emergency
 - **6400 Series**
Locking thumb turn on pull side
Override knob on push side
 - **6500 Series**
Locking thumb turn on push side
Override knob on pull side
- Cylindrical latch application – privacy function
- Door is locked by moving the thumb turn into the locked position
- Door is unlocked by operating handle on thumb turn side, moving thumb turn into the unlocked position or rotating the override knob in case of emergency
- 1-3/4" standard door thickness
- Meets ADA requirements
- Trim is mounted using four thru-bolts for maximum stability
- One continuous spring provides a smoother operation and extended life for the unit
- Non-handed for installation and stocking ease
- UL Listed in U.S.A and Canada for use on door fire rated 90 minutes or less, up to 4'0" x 8'0"
- 1/2" Latch Bolt Throw
- Patent# 6,293,598 & #6,196,599



Override Knob

Locking Thumb Turn



How to Order:

Example: 64 2 A - US32D - AM

Model: _____

- 64 = 6400 Series
- 65 = 6500 Series

Latch Backset: _____

- 2 = 2-3/4" • 5 = 5"
- 3 = 3-3/4" • 7 = 7"

Strike: _____

- T = 2-3/4" T-Strike
- A = 4-7/8" ASA Strike

Finish: _____

- US32D • US32 • US10B • US3
- US26D • US26 • US10 • US4

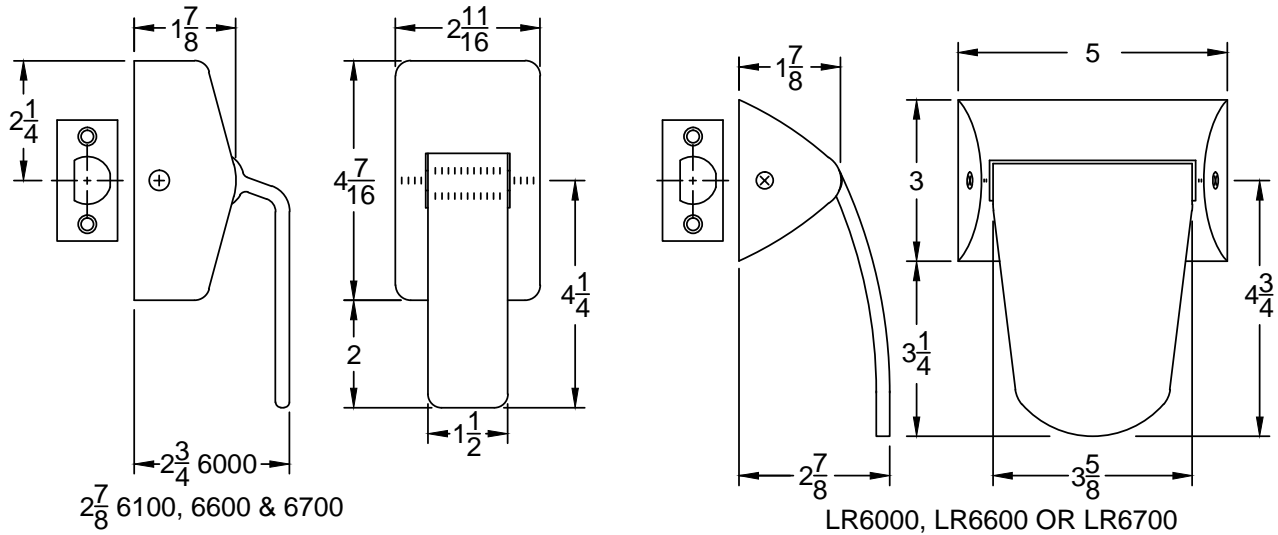
Options, if Needed: _____

- H • AM • L • EX • X • SEC • THICK • P

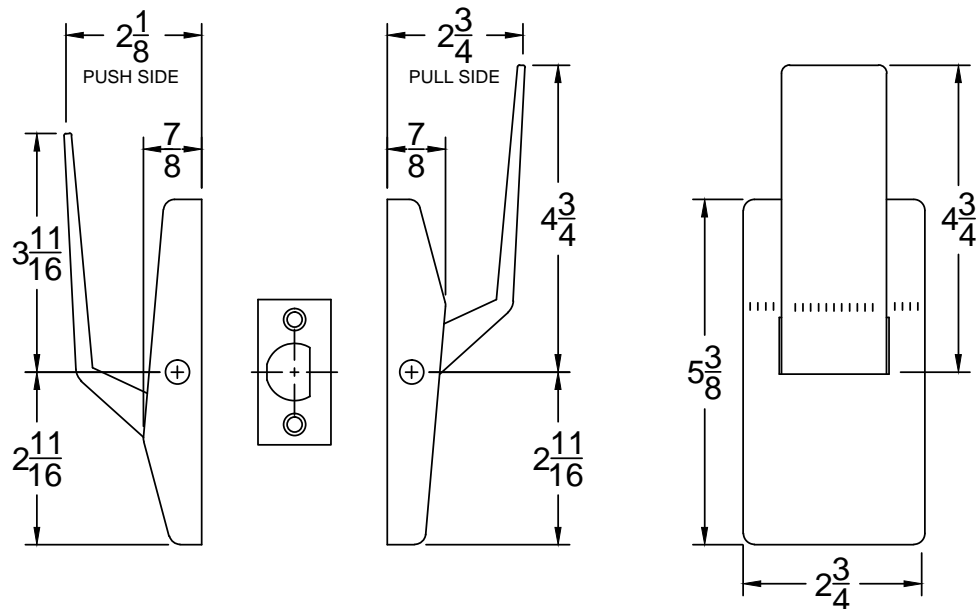
(See pages C-3 to C-5 for details)



PUSH PULL LATCH DIMENSIONAL OUTLINE



6800 SERIES - LOW PROFILE



PUSH-PULL DIMENSIONAL OUTLINE-03.DWG



www.abhmg.com
 E-mail: abhinfo@abhmg.com
 Architectural Builders Hardware Mfg., Inc.
 1222 Ardmore Ave., Itasca, IL 60143
 630.875.9900; FAX 800.9FAXABH (932.9224)

PUSH/PULL DIMENSIONAL
OUTLINE

PAGE 1 OF 1
REVISED 06-24-15

© 2015 ABH Mfg., Inc.
printed in USA

Hospital Push/Pull Latches

Type	ABH*	GJ*	ASSA Abloy*			Trimco*
			Rockwood*	Sargent*	Corbin Russwin*	
Cylindrical Latch	6000**	HL6	596	-	-	-
	6800**	-	-	114 115	-	1562
	6800Q	-	-	-	-	-
	LR6000	-	-	HPU15 ALP	HP3010 HPSK	-
	LR6000Q	-	-	-	-	-
	6000PL 6000PS	HL6-EO	-	-	-	-
	6800PL 6800PS	-	-	-	-	1562AE
	6100	-	-	-	-	-
	6200	-	-	-	-	-
	6400	PL7	-	-	-	1652L
	6500	PL8	-	-	-	-
	6830	-	-	-	-	1591
	Trim with Mortise Lock Body	6600	HL6-9000	-	7800 PT	-
LR6600		-	-	8200 ALP	ML2000 x HPSK	-
Trim Only for Other Manufacturers' Mortise Lock Body	6700	-	-	-	-	-
	LR6700	-	-	-	-	-

*Brand names are trademarks or registered trademarks of their respective companies.



US32D - 630 - Satin Stainless Steel



US26D - 626 - Satin Chrome



US10B - 613 - Oil Rubbed Bronze



US10 - 612 - Satin Bronze



US4 - 606 - Satin Brass



S1 - 689 - Painted Aluminum



S2 - Painted Brass (to match US4)



S3 - Painted Bronze (to match US10)



S4 - Painted Black



S5 - Painted Dark Bronze (to match US10B)



S8 - Painted White



US3 - 605 - Bright Brass



US32 - 629 - Bright Stainless Steel



US26 - 625 - Bright Chrome