

## Offset Pivot Set & Reinforcing Pivot

### 0547 Pivot Set - 3/4" Offset

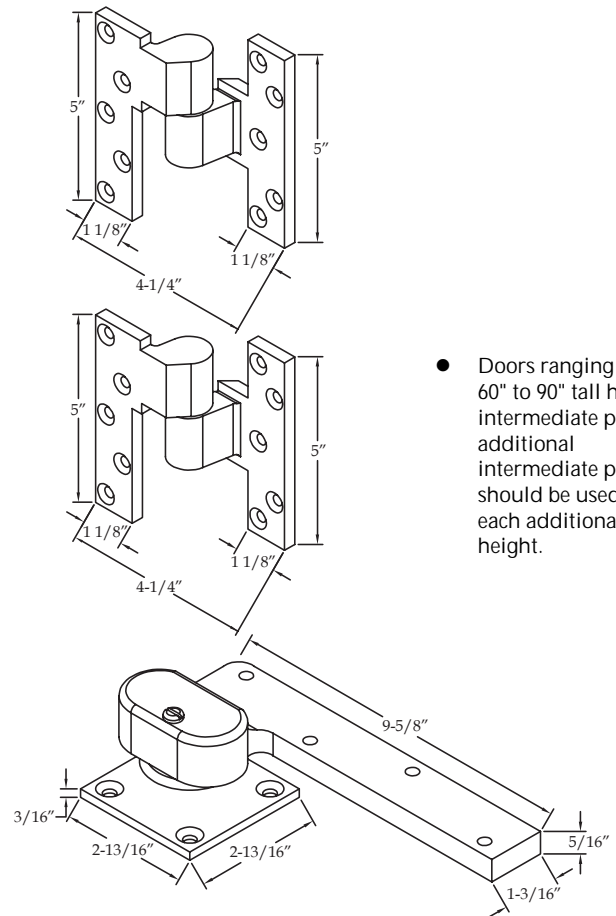
#### Standard Features

- (2) 019 Intermediate Pivots
  - Frame leaves mortise into side jamb
  - Door leaves mortise into hinge edge of door
- 0147 Bottom Pivot
  - Bottom leaf mounts on top of finished floor
  - Door leaf mortises into bottom of door
- Handed - Specify LH or RH
- For doors using Overhead Concealed Closers
- Maximum door load - 500 pounds
- Maximum door width - 42"
- Heavy duty bearings
- Stainless steel base material

#### Options

- EXTS - Extended Spindle on bottom pivot (up to 2" longer than standard)
- SEC - Security fasteners

Meets or exceeds  
ANSI C07162 (modified)



- Doors ranging from 60" to 90" tall have two intermediate pivot. An additional intermediate pivot should be used for each additional 30" in height.

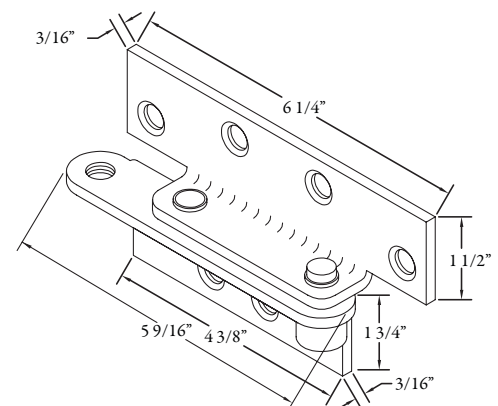
### 0923 Reinforcing Pivot

#### Standard Features

- Helps take load off failing top hinge and eliminate door sag
- Surface mounts to the face of the frame header and face of the door
- Matches pivot point of a standard 4-1/2" butt hinge
- Non-handed
- Maximum door load - 300 pounds
- Cold-rolled steel, zinc plated - US2G finish
- For 1/8" inset door with 3/4" offset

#### Options

- SEC - Security fasteners





US32D - 630 - Satin Stainless Steel



US26D - 626 - Satin Chrome



US10B - 613 - Oil Rubbed Bronze



US10 - 612 - Satin Bronze



US4 - 606 - Satin Brass



S1 - 689 - Painted Aluminum



S2 - Painted Brass (to match US4)



S3 - Painted Bronze (to match US10)



S4 - Painted Black



S5 - Painted Dark Bronze (to match US10B)



S8 - Painted White



US3 - 605 - Bright Brass



US32 - 629 - Bright Stainless Steel



US26 - 625 - Bright Chrome