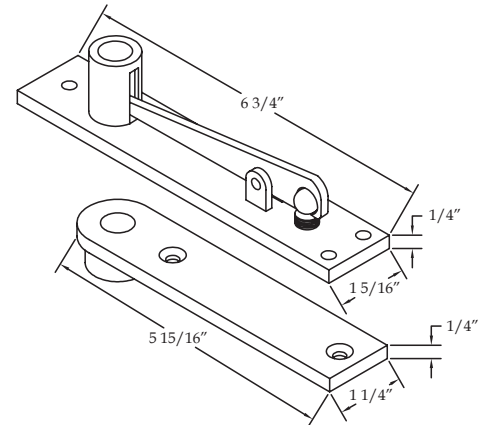


Center Hung Top Pivots

0340 Top Pivot – Center Hung

Standard Features

- Walking beam top pivot for center hung bottom pivot or floor closer
- Heavy Duty
- Jamb leaf mortises in header
- Door leaf mortises into top of the door
- Dress plate provided for jamb portion
- Non-handed
- Pivot point must be plumb with pivot point at the bottom of door



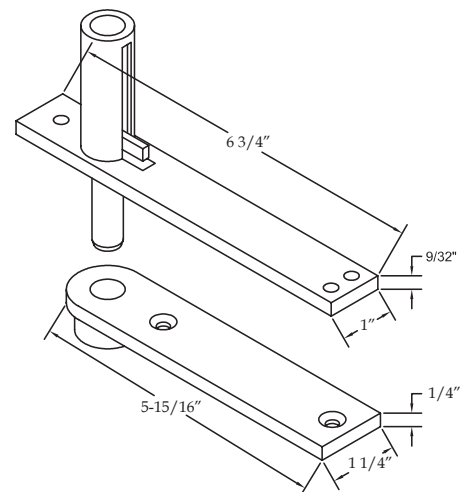
Options

- EXTP - Extended Pin on top pivot (up to 3/4" longer than standard)
- SEC - Security fasteners

0345 Top Pivot – Center Hung

Standard Features

- For use with 0370 bottom pivot when door height is in excess of 104"
- Extra heavy duty
- Jamb leaf mortises in header
- Door leaf mortises into top of the door
- Dress plate provided for jamb portion
- Non-handed
- Pivot point must be plumb with pivot point at the bottom of door



Options

- EXTP - Extended Pin on top pivot (up to 3/4" longer than standard)
- SEC - Security fasteners





US32D - 630 - Satin Stainless Steel



US26D - 626 - Satin Chrome



US10B - 613 - Oil Rubbed Bronze



US10 - 612 - Satin Bronze



US4 - 606 - Satin Brass



S1 - 689 - Painted Aluminum



S2 - Painted Brass (to match US4)



S3 - Painted Bronze (to match US10)



S4 - Painted Black



S5 - Painted Dark Bronze (to match US10B)



S8 - Painted White



US3 - 605 - Bright Brass



US32 - 629 - Bright Stainless Steel



US26 - 625 - Bright Chrome