

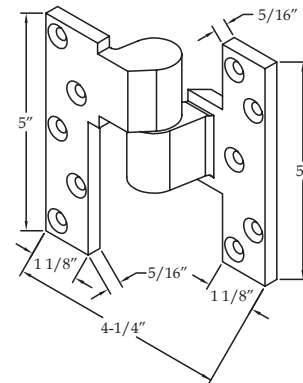
Intermediate Pivots

019 Intermediate Pivot - 3/4" Offset

Standard Features

- Doors ranging from 60" tall should use one intermediate pivot. An additional intermediate pivot should be used for each additional 30" in door height. (ie, 90" tall door should use two intermediate pivots)
- Mortises into side jamb and hinge edge of door
- Handed - Specify LH or RH
- For use with 3/4" offset pivot sets
- Helps maintain door alignment
- UL listed for use on 3-hour fire rated doors - **Standard**
- Heavy duty stainless steel needle bearings
- Stainless steel base material

Meets or exceeds
ANSI C07321 & C07371

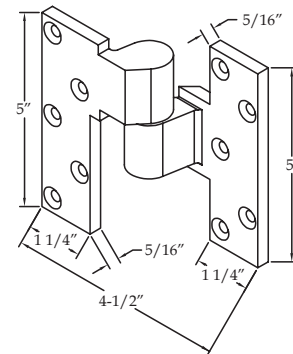


L019 Intermediate Pivot - 3/4" Offset

Standard Features

- Doors ranging from 60" tall should use one intermediate pivot. An additional intermediate pivot should be used for each additional 30" in door height. (ie, 90" tall door should use two intermediate pivots)
- Mortises into side jamb and hinge edge of door
- Handed - Specify LH or RH
- **For use with 3/4" offset lead-lined pivot sets**
- 1-3/4" lead-lined doors
- Helps maintain door alignment
- UL listed for use on 3-hour fire rated doors - **Standard**
- Heavy duty stainless steel needle bearings
- Stainless steel base material

Meets or exceeds
ANSI C07311

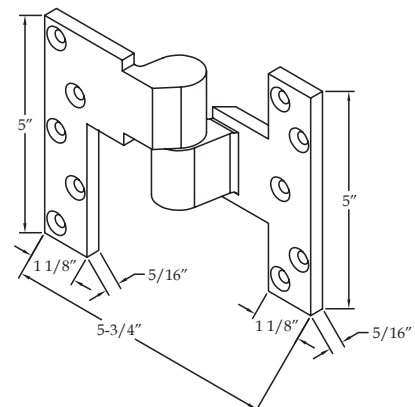


019-1.5 Intermediate Pivot - 1-1/2" Offset

Standard Features

- Doors ranging from 60" tall should use one intermediate pivot. An additional intermediate pivot should be used for each additional 30" in door height. (ie, 90" tall door should use two intermediate pivots)
- Mortises into side jamb and hinge edge of door
- Handed - Specify LH or RH
- For use with 1-1/2" offset pivot sets
- Helps maintain door alignment
- UL listed for use on 3-hour fire rated doors - **Standard**
- Heavy duty stainless steel needle bearings
- Stainless steel base material

Meets or exceeds
ANSI C07321 & C07371





US32D - 630 - Satin Stainless Steel



US26D - 626 - Satin Chrome



US10B - 613 - Oil Rubbed Bronze



US10 - 612 - Satin Bronze



US4 - 606 - Satin Brass



S1 - 689 - Painted Aluminum



S2 - Painted Brass (to match US4)



S3 - Painted Bronze (to match US10)



S4 - Painted Black



S5 - Painted Dark Bronze (to match US10B)



S8 - Painted White



US3 - 605 - Bright Brass



US32 - 629 - Bright Stainless Steel



US26 - 625 - Bright Chrome