

Offset Pivot Sets

L0147 Pivot Set - 3/4" Offset

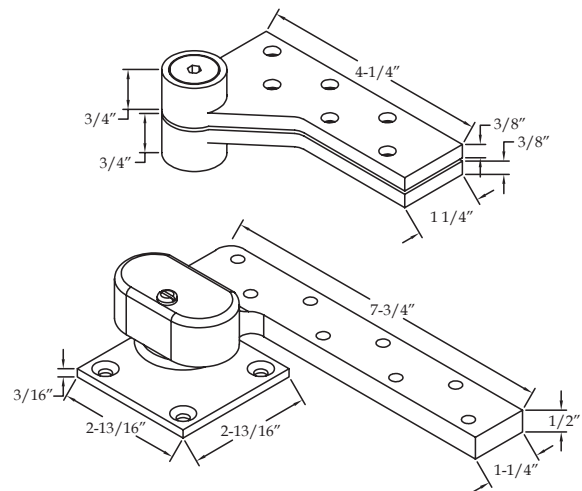
Standard Features

- L0180 Top Pivot
 - Frame leaf mortises into header
 - Door leaf mortises into top of door
- L0147 Bottom Pivot
 - Bottom leaf mounts on top of finished floor
 - Door leaf mortises into bottom of door
- Handed - Specify LH or RH
- **For use on 1-3/4" lead-lined doors**
- Maximum door load - 1,000 pounds
- Maximum door width - 48"
- UL listed for use on 3-hour fire rated doors - **Standard**
- Heavy duty bearings
- Stainless steel base material

Options

- **EXTS** - Extended Spindle on bottom pivot (up to 2" longer than standard)
- **EXTP** - Extended Pin on top pivot (up to 3/4" longer than standard)
- **SEC** - Security fasteners
- **B** - Bottom pivot only (no top pivot)

Meets or exceeds
ANSI C07162 & C07202



0195 Pivot Set - 3/4" Offset

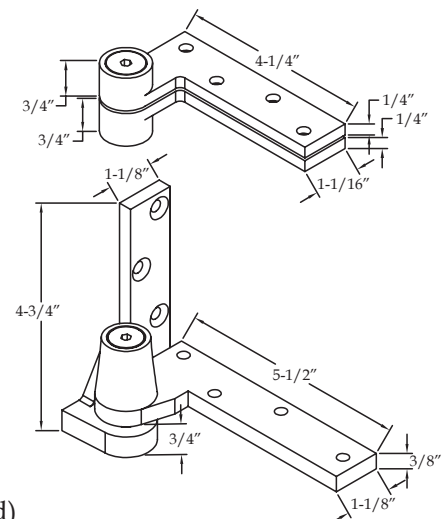
Standard Features

- 0180 Top Pivot
 - Frame leaf mortises into header
 - Door leaf mortises into top of door
- 0195 Bottom Pivot
 - Bottom leaf mortises into side jamb and rests on floor
 - Door leaf mortises into bottom of door
- Handed - Specify LH or RH
- Maximum door load - 450 pounds
- Maximum door width - 48"
- UL listed for use on 3-hour fire rated doors - **Standard**
- Heavy duty stainless steel needle bearings
- Stainless steel base material

Options

- **EXTS** - Extended Spindle on bottom pivot (up to 2" longer than standard)
- **EXTP** - Extended Pin on top pivot (up to 3/4" longer than standard)
- **SEC** - Security fasteners
- **B** - Bottom pivot only (no top pivot)

Meets or exceeds
ANSI C07131





US32D - 630 - Satin Stainless Steel



US26D - 626 - Satin Chrome



US10B - 613 - Oil Rubbed Bronze



US10 - 612 - Satin Bronze



US4 - 606 - Satin Brass



S1 - 689 - Painted Aluminum



S2 - Painted Brass (to match US4)



S3 - Painted Bronze (to match US10)



S4 - Painted Black



S5 - Painted Dark Bronze (to match US10B)



S8 - Painted White



US3 - 605 - Bright Brass



US32 - 629 - Bright Stainless Steel



US26 - 625 - Bright Chrome