

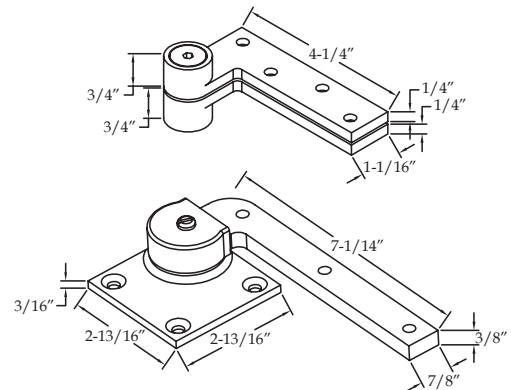
## Offset Pivot Sets

### 0117 Pivot Set - 3/4" Offset

#### Standard Features

- 0180 Top Pivot
  - Frame leaf mortises into header
  - Door leaf mortises into top of door
- 0117 Bottom Pivot
  - Bottom leaf mortises into floor
  - Door leaf mortises into bottom of door
- Handed - Specify LH or RH
- Maximum door load - 300 pounds
- Maximum door width - 42"
- UL listed for use on 3-hour fire rated doors - **Standard**
- Heavy duty bearings
- Stainless steel base material

Meets or exceeds  
ANSI C07162 & C07202



#### Options

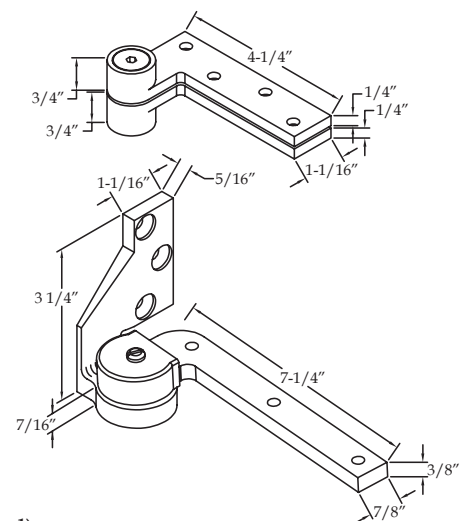
- EXTS - Extended Spindle on bottom pivot (up to 2" longer than standard)
- EXTP - Extended Pin on top pivot (up to 3/4" longer than standard)
- SEC - Security fasteners
- B - Bottom pivot only (no top pivot)

### 0117.25 Pivot Set - 3/4" Offset

#### Standard Features

- 0180 Top Pivot
  - Frame leaf mortises into header
  - Door leaf mortises into top of door
- 0117.25 Bottom Pivot
  - Bottom leaf mortises into side jamb and rests on floor
  - Door leaf mortises into bottom of door
- Handed - Specify LH or RH
- Maximum door load - 250 pounds
- Maximum door width - 42"
- UL listed for use on 3-hour fire rated doors - **Standard**
- Heavy duty bearings
- Stainless steel base material

Meets or exceeds  
ANSI C07172



#### Options

- EXTS - Extended Spindle on bottom pivot (up to 2" longer than standard)
- EXTP - Extended Pin on top pivot (up to 3/4" longer than standard)
- SEC - Security fasteners
- B - Bottom pivot only (no top pivot)





US32D - 630 - Satin Stainless Steel



US26D - 626 - Satin Chrome



US10B - 613 - Oil Rubbed Bronze



US10 - 612 - Satin Bronze



US4 - 606 - Satin Brass



S1 - 689 - Painted Aluminum



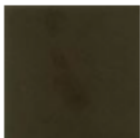
S2 - Painted Brass (to match US4)



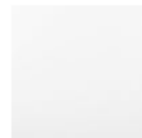
S3 - Painted Bronze (to match US10)



S4 - Painted Black



S5 - Painted Dark Bronze (to match US10B)



S8 - Painted White



US3 - 605 - Bright Brass



US32 - 629 - Bright Stainless Steel



US26 - 625 - Bright Chrome