

Electromagnetic Door Holders

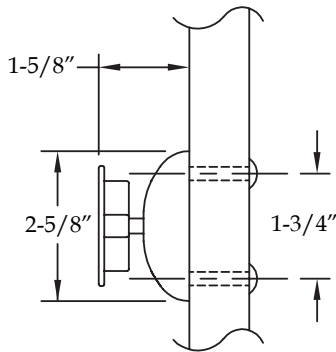


Innovation, Quality,
Customer Service...

Parts

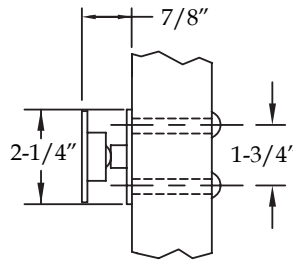
Door Armatures

- Available in US28, S1, S2, S3, S4, S5, US32D or US32 finishes



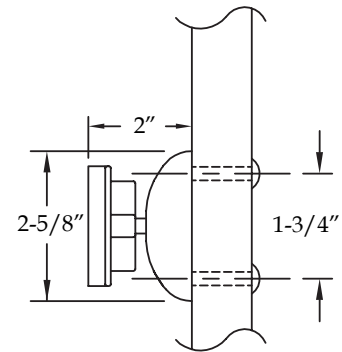
20020

(2100, 2300, 2400, 2600 & 2700 models)



24020

(2400L model)

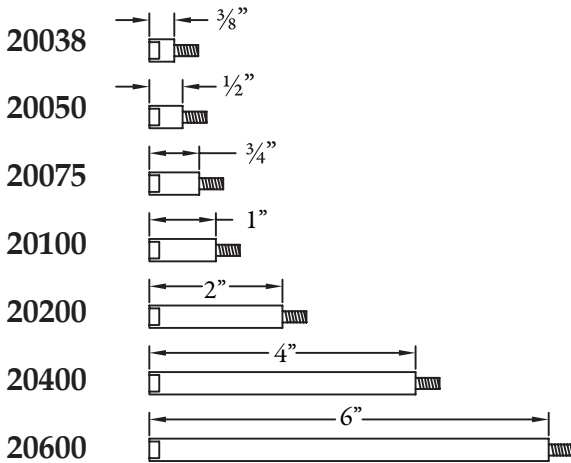


25020

(2510 model)

Extensions

- Available in zinc plated finishes only



Electrical Boxes

- Available in US28, S1, S2, S3, S4 or S5 finishes

23005 - 2300 model

25005 - 2510 model

Wall Covers

- Available in US28, S1, S2, S3, S4, S5, US32D or US32 finishes

20012 - 2100 & 2300 models

20014 - 2400, 2400L & 2400LS models

20015 - 2510 model

Wall Portions with Covers

- Available in US28, S1, S2, S3, S4, S5, US32D or US32 finishes

21030 - 2100 model

23030 - 2300 model

24030 - 2400, 2400L & 2400LS models

25030 - 2510 model

S20020

- Custom Armature with Extension for lengths greater than 10"
- Specify overall length required from face of door to face of magnet
- Available in US28, S1, S2, S3, S4, S5, US32D or US32 finishes (extension red portion always provided in US32D)

