

 **Model 5127 — *Bradex*[®]**

- Recessed
- Hinged Hood
- Non-Controlled Delivery
- Dual Roll

Product Materials

HOUSING AND HOODS: bright polished stainless steel.

SPINDLES: chrome-plated plastic.

Capacity

Two standard core toilet tissue rolls through 5½" in diameter.

Operation

Concealed spring permits spindle to telescope for servicing. Spindle turns freely for non-controlled delivery. Hinged hood prevents unintentional unraveling while keeping top tissue surface clean. Hinged hood is not removable.

Installation

Verify all rough-in dimensions prior to installation. Requires rough wall opening 5½"W x 11¼"H x 3"D. Secure to framing with mounting screws (included) at holes provided. Shim at screw points as required.

Guide Specification

Recessed roll toilet tissue dispenser with hinged hood shall be bright polished stainless steel and hold two standard core toilet tissue rolls.

Overall dimensions: 6½"W x 12¼"H x 3"D.

 **ADA Compliant**

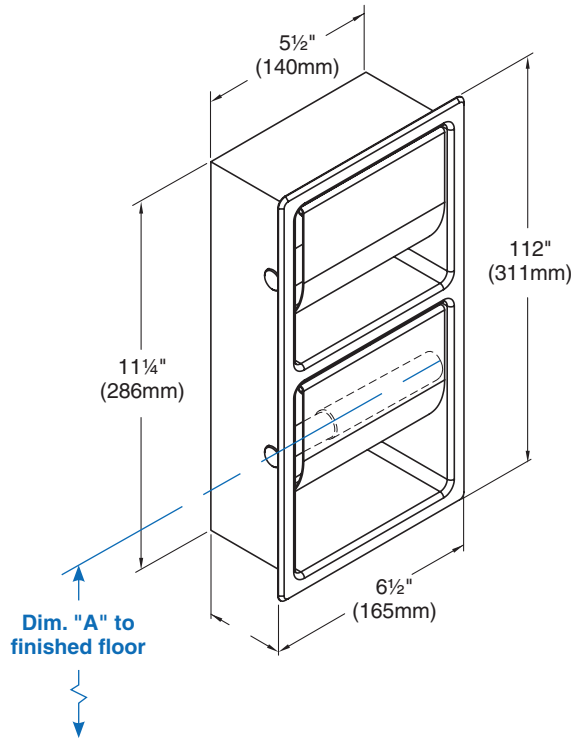
- Consult local and national accessibility codes for proper installation guidelines.
- Conformity and compliance to local and national codes is the responsibility of the installer.



Orders composed of products indicated as **Bradex**[®] will be available to ship in three days after receipt of order at the factory. There is no pricing penalty for this service from Bradley.



Dimensions



Dim. "A" Key Surface:	For Dim. "A"	Top of Rough Wall Opening	Bottom of Rough Wall Opening
Centerline of spindle (lower) to finished floor (bottom edge of paper roll 3" below centerline of spindle)	23" (584mm)	31 1/4" (794mm)	20" (508mm)
	22" (559mm)	30 1/4" (768mm)	19" (483mm)
	21" (533mm)	29 1/4" (743mm)	18" (457mm)
	20" (508mm)	28 1/4" (718mm)	17" (432mm)
	19" (483mm)	27 1/4" (692mm)	16" (406mm)
	18" (457mm)	26 1/4" (667mm)	15" (381mm)
Rough wall opening:			
Recessed:	5 1/2" (140mm) Wide x 11 1/4" (286mm) High x 3" (77mm) Deep		

Orders composed of products indicated as **Bradex**® will be available to ship in three days after receipt of order at the factory. There is no pricing penalty for this service from Bradley.