



2902-2800, 2902-2873, 2902-2874, 2902-2878

Adjustable Motor, Adjustable Sensor-Operated Warm Air Hand Dryer

Recommended for very high traffic areas.

Standard Model 2902-280000 (cast iron white porcelain) *Bradex*

Standard Model 2902-287300 (steel-white epoxy) *Bradex*

Standard Model 2902-287400 (stainless steel-satin finish) *Bradex*

Standard Model 2902-287800 (stainless steel-bright polished finish)

Product Materials

2902-2800 COVER: 3/16" (4.5 mm) thick one-piece cast iron; white porcelain enamel coating.

2902-2873 COVER: 1/16" (1.5mm) thick one-piece steel; white epoxy finish.

2902-2874 COVER: 1/16" (1.5mm) thick one-piece stainless steel; satin finish.

2902-2878 COVER: 1/16" (1.5mm) thick one-piece stainless steel; bright polished finish.

Cover fixed to the base plate with two vandal-proof lock screws and lock with special key wrench.

ADJUSTABLE MOTOR: universal-type with high-speed, universal brush, fully adjustable (3,800–8,200 RPM) potentiometer, Class A; Aluminium centrifugal double asymmetrical inlet fan wheel; aluminum scroll fan and safety thermal cut-off.

HEATING ELEMENT: waved wire NiCr heating element mounted on a mica frame that incorporates a self-resetting thermal cut-off at 302°F.

ADJUSTABLE SENSOR OPERATION: electronic infrared detection sensor with fully adjustable (2"–8") potentiometer. Includes polycarbonate viewing windows. Automatic shut-off after 60 seconds.

BASE PLATE: 1/8" (3 mm) thick aluminum, with four Ø 5/16" (8 mm) holes for wall mounting. Includes silent blocking to dampen mechanical vibrations.

Installation

Verify all rough-in dimensions prior to installation. Hand dryers require a dedicated circuit and must be properly grounded. GFI Circuit protection is recommended. One side of dryer should be mounted to a stud.

Operation

Place hands 3"–6" below nozzle to activate air flow. Dryer will stop two seconds after hands are removed from air flow.

ADA Compliant

- Consult local and national accessibility codes for proper installation guidelines.
- Conformity and compliance to local and national codes is the responsibility of the installer.

Orders composed of products indicated as **Bradex** will be available to ship in three days after receipt of order at the factory. There is no pricing penalty for this service from Bradley.



Guide Specification

Surface-mounted ADA-compliant hand dryer shall have a thick cast iron cover with white porcelain enamel coating (2902-2800), steel cover with white epoxy coating (2902-2873), stainless steel cover with satin finish (2902-2874) or stainless cover with bright polished finish (2902-2878). Hand dryer shall include aluminium base plate, fully adjustable (2"–8") infrared sensor potentiometer and fully adjustable (3800 - 8200 RPM) universal-type motor potentiometer with resilient mounts and sealed, lubricated ball bearings. Dryer shall operate at 64–70 dB while delivering 43–70 CFM of air at 106°F–111°F (41°C–44°C) and 4,920–9,840 LFM velocity during user-controlled drying cycle. Dryer shall have a total power of 800–1,150 W (1.07–1.54 Hp) with a consumption of 9.5–4.8 A.

Overall dimensions: 10½"H x 11½"W x 4"D (267mm x 292mm x 102mm).

Weight: 7.9 lb (3.58 kg)

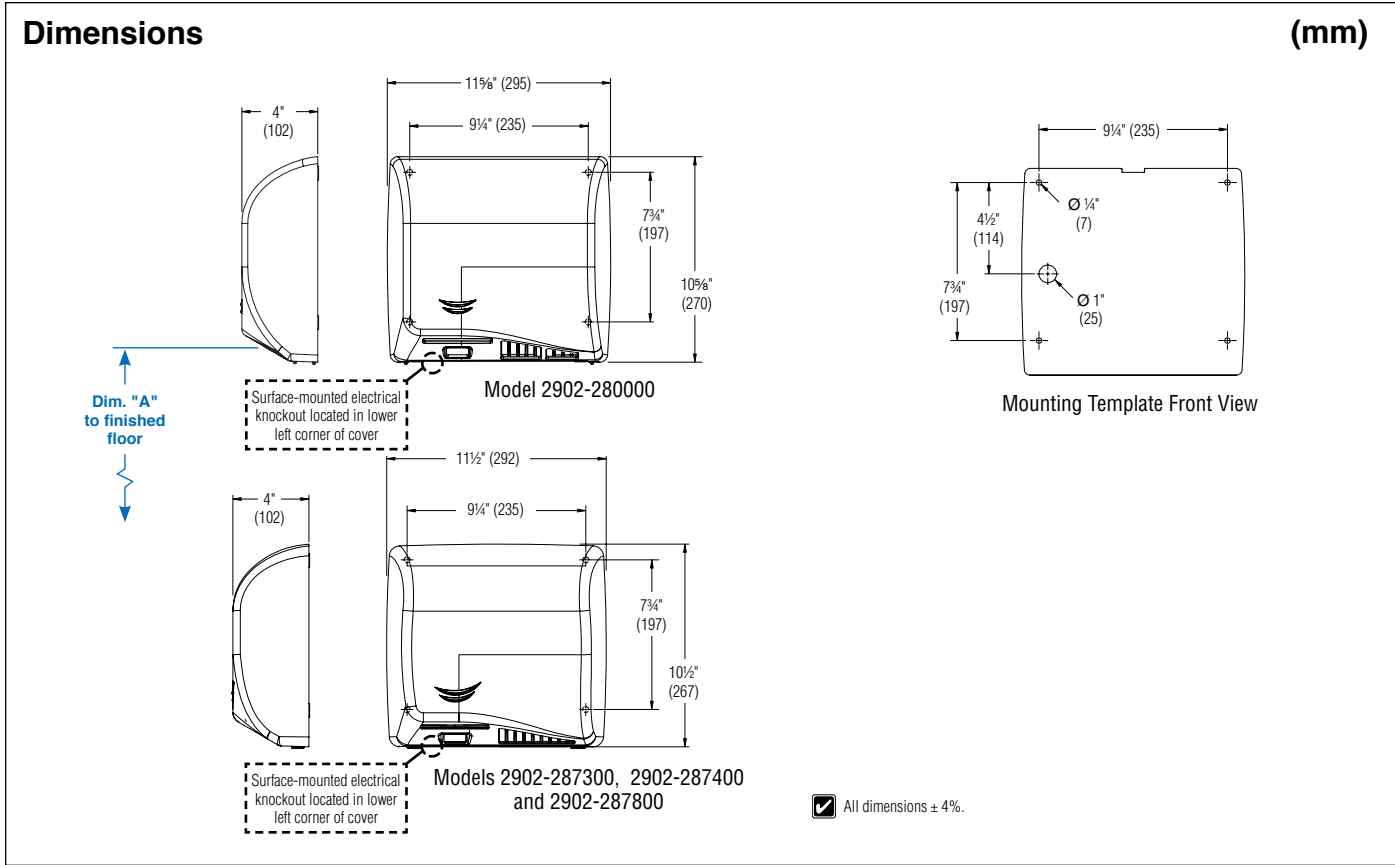
Product Specifications

Voltage:	100–120 V, 208 V, 220–240 V	Consumption:	9.5–4.8 A
Motor:	1/2 HP (250 W)	RPM:	3,800–8,200
Nominal power:	1,150 W (1.54 Hp)	Heating element:	900 W (1.20 Hp)
Effective airflow:	36–58 CFM	Nominal airflow:	43–70 CFM
Noise level at 79":	64–70 dB	Airspeed:	4,920–9,840 LFM
Frequency:	50/60 Hz	Insulation:	Grounding required
Temperature (at 4" distance / 70°F):	106°F–111°F (41°C–44°C)	Certificates:	UL 499 / CSA C22.2 / VDE GS / VDE EMC / GMark
Drying time:	12–15 seconds	Mounting:	Surface. ADA-compliant
Protection level:	IP23 Splash Protection		



2902-2800, 2902-2873, 2902-2874, 2902-2878

Adjustable Motor, Adjustable Sensor-Operated Warm Air Hand Dryer



Dim. "A" Key Surface:	For Dim. "A"	Top of Unit	Bottom of Unit
Sensor top to finished floor	48" (1219)	57 3/4" (1467)	47 1/8" (1197)
	45" (1143)	54 3/4" (1391)	44 1/8" (1121)
	42" (1067)	51 3/4" (1314)	41 1/8" (1045)
	40" (1016)	49 3/4" (1264)	39 1/8" (994)
Rough wall opening:			
Surface Mount:	No rough opening, see overall dimensions		

Orders composed of products indicated as **Bradex**® will be available to ship in three days after receipt of order at the factory. There is no pricing penalty for this service from Bradley.