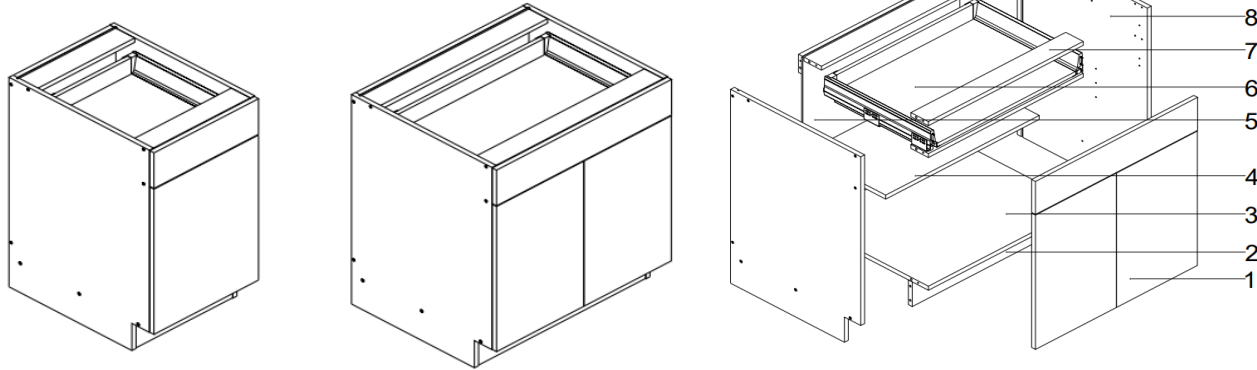




**B09-B36
VB12-VB21**

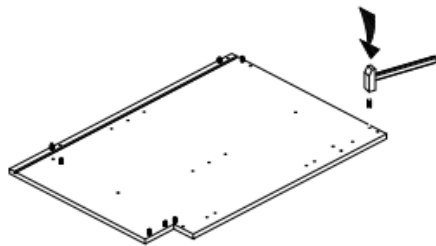


Material List

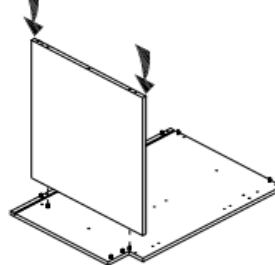
NO.	ITEM	QTY
1	Door	
2	Toe Kick	
3	Bottom Panel	
4	Shelf	
5	Back Panel	
6	Drawer Box	
7	Stretcher	
8	Side Panel	

NO.	ITEM	QTY
A	Screws	
B	Dowel	
C	Hinge	
D	Slider	

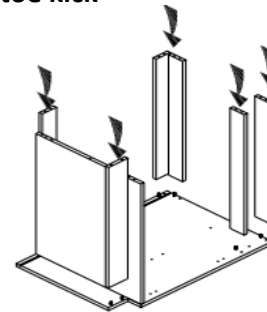
1 Put the dowel into the side panels



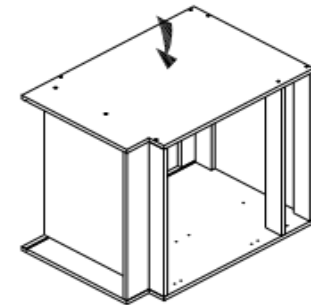
2 Keep a side panel flat on the floor, then insert bottom panel



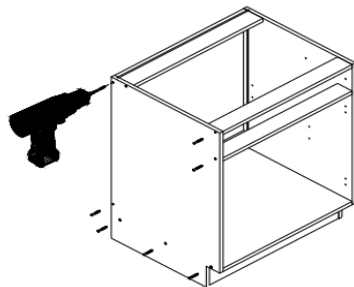
3 Insert the stretcher and toe kick



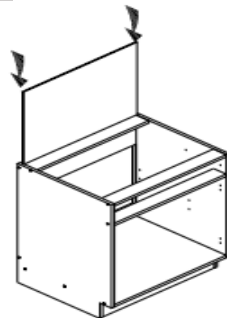
4 Put another side panel on



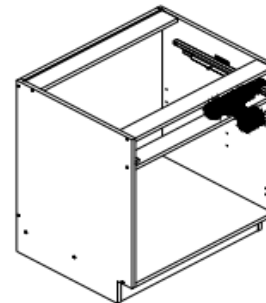
5 Put the screw into the screw hole



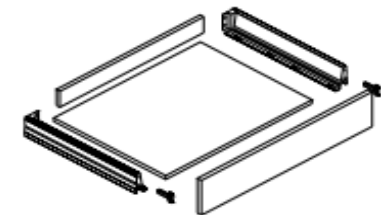
6 Install the back panel



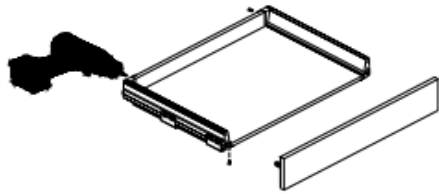
7 Install the drawer slider



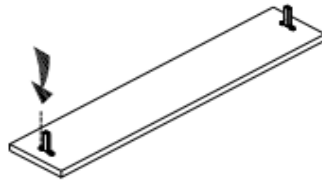
8 Drawer composition



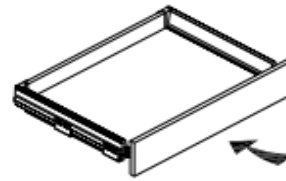
9 Install the drawer rail fittings on the board by using screws



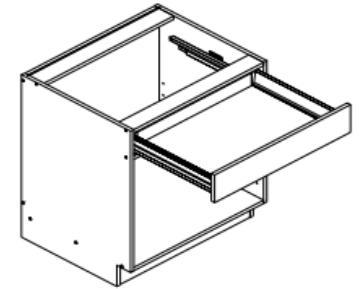
10 Install the connector by using screws



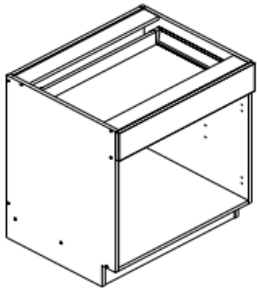
11 The drawer accessed finished



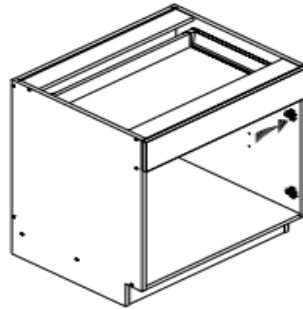
12 Put the drawer to the cabinet



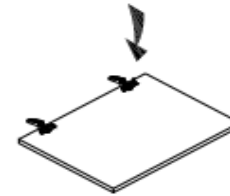
13 Accessed Finished



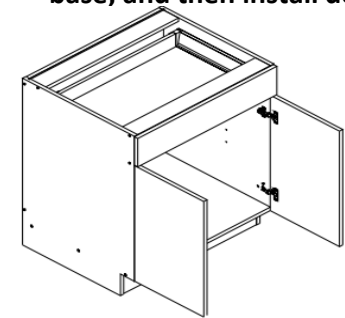
14 Screw the hinge base on the side panel



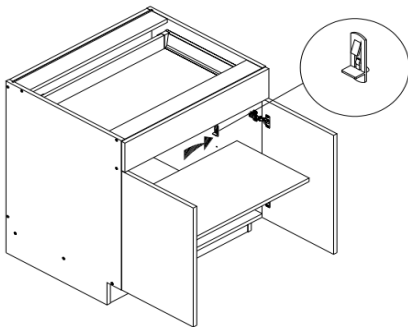
15 Install the hinge on the door

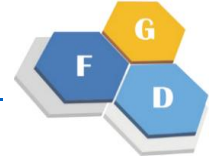


16 Press the hinges into the base, and then install doors

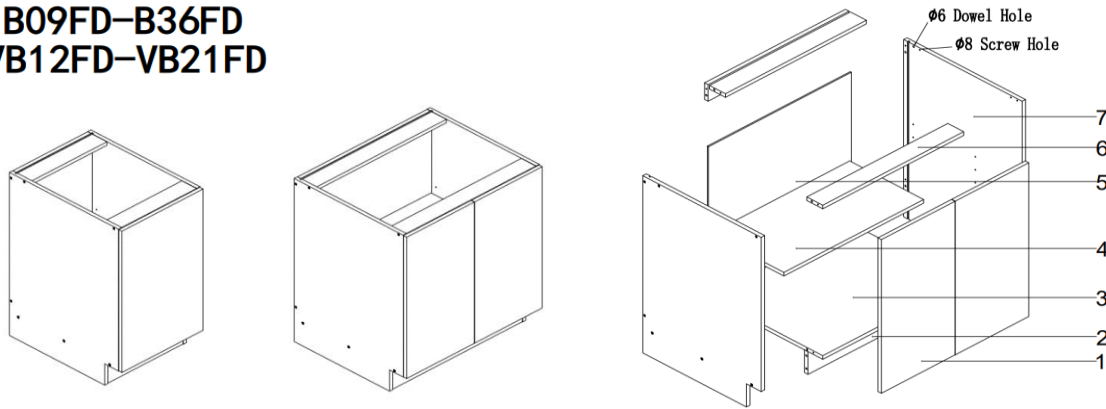


17 Install the shelf support and accessed finished





**B09FD-B36FD
VB12FD-VB21FD**

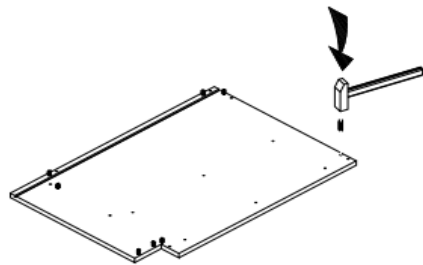


Material List

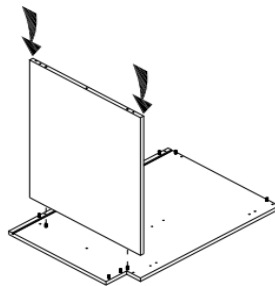
NO.	ITEM	QTY
1	Door	
2	Toe Kick	
3	Bottom Panel	
4	Shelf	
5	Back Panel	
6	Stretcher	
7	Side Panel	

NO.	ITEM	QTY
A	Screws	
B	Dowel	
C	Hinge	

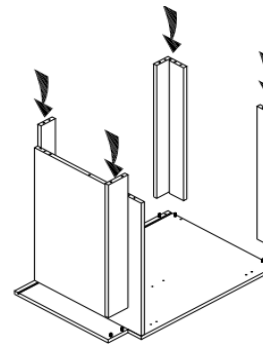
1 Install the dowel into the side panels



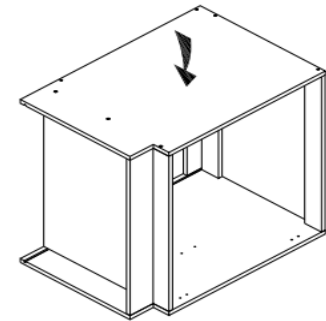
2 Keep a side panel flat on the floor, then insert bottom panel



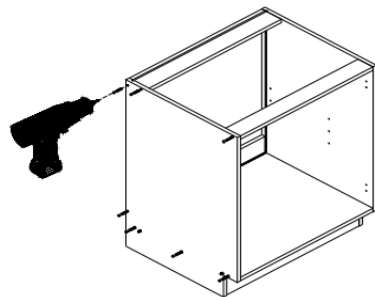
3 Insert the stretcher and kickboard



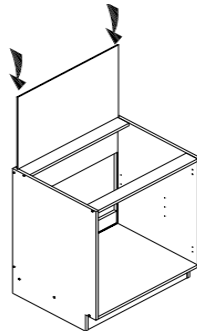
4 Put another side panel on



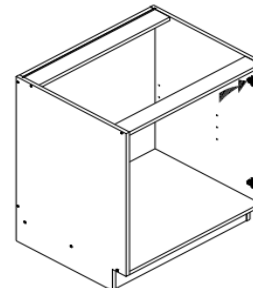
5 Put the screw into the screw hole



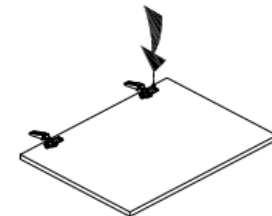
6 Install the back panel



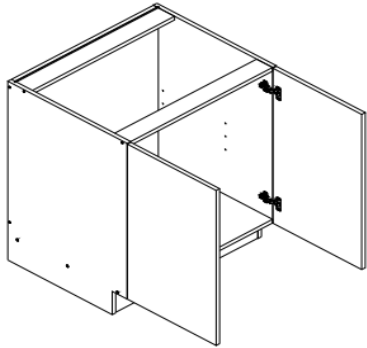
7 Screw the hinge base on the side panel



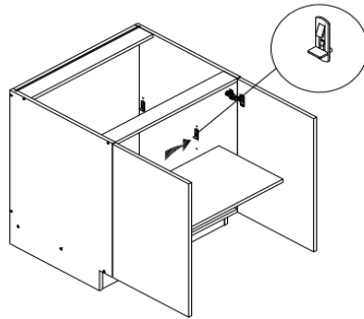
8 Install the hinge on the door



9 Press the hinges into the base, and then install doors



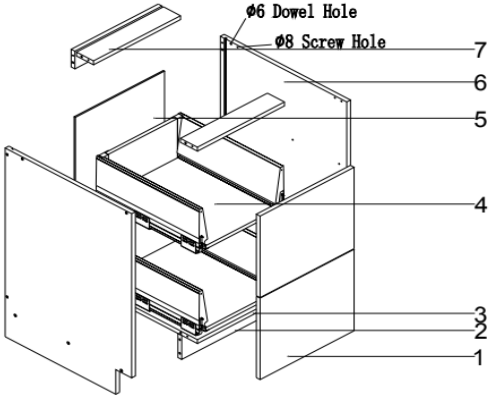
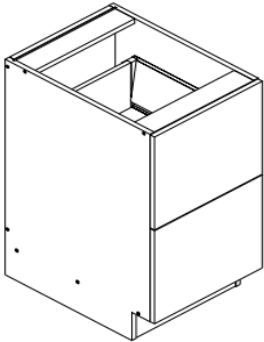
10 Install the shelf support and accessed finished





GFD Frameless Cabinet Assembly

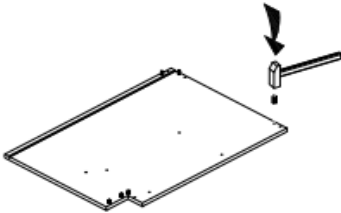
DB12-2-DB36-2



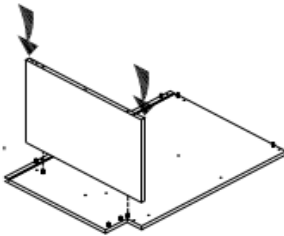
Material List

NO.	ITEM	QTY	NO.	ITEM	QTY
1	Door		A	Screws	
2	Toe Kick		B	Dowel	
3	Bottom Panel		C	Slider	
4	Drawer Box				
5	Back Panel				
6	Side Panel				
7	Stretcher				

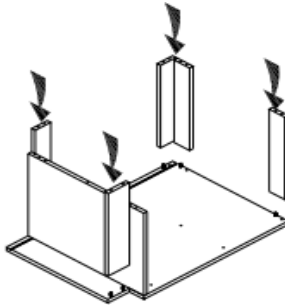
1 Install the dowel into the side panels



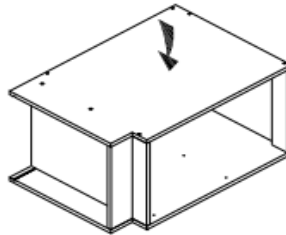
2 Keep a side panel flat on the floor, then insert bottom panel



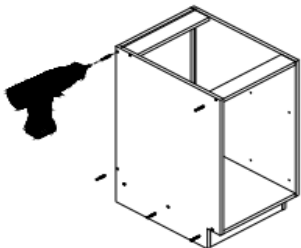
3 Insert the stretcher and kickboard



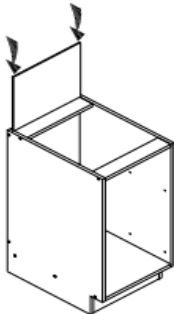
4 Put another side panel on



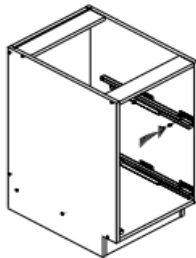
5 Put the screw into the screw hole



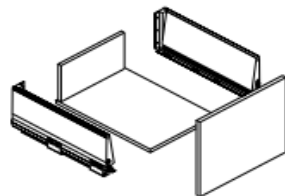
6 Install the back panel



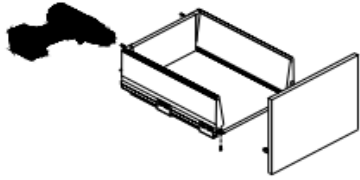
7 Install the slider



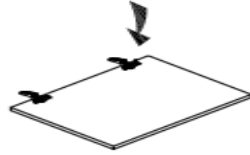
8 Drawer composition



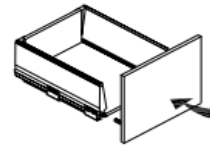
9 Screw the drawer rail fittings on the board



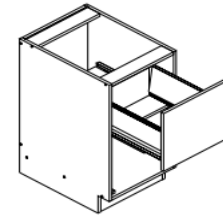
10 Install the connector by using screws



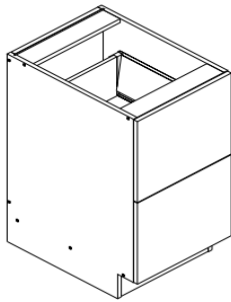
11 The drawer accessible finished



12 Put the drawer to the cabinet

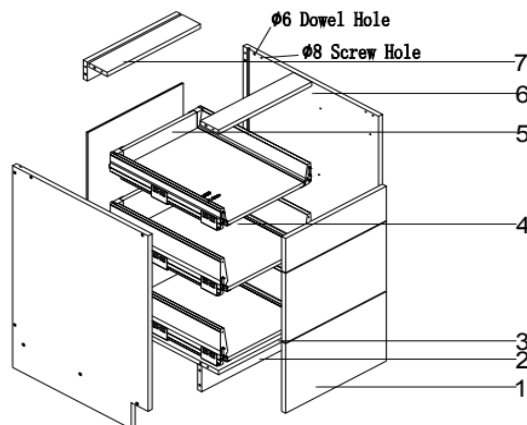
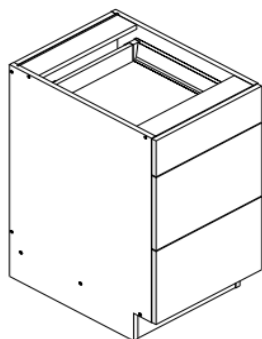


13 Accessible finished





DB12-3-DB36-3
VDB12-3-VDB37-3

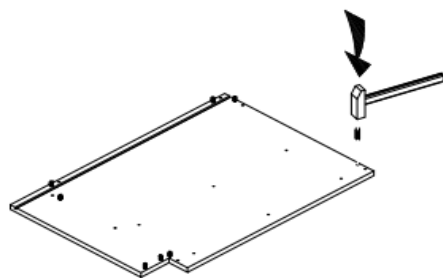


Material List

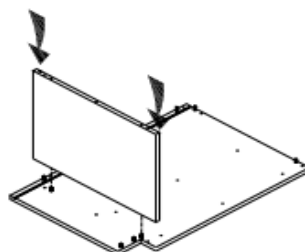
NO.	ITEM	QTY
1	Door	
2	Toe Kick	
3	Bottom Panel	
4	Drawer Box	
5	Back Panel	
6	Side Panel	
7	Stretcher	

NO.	ITEM	QTY
A	Screws	
B	Dowel	
C	Slider	

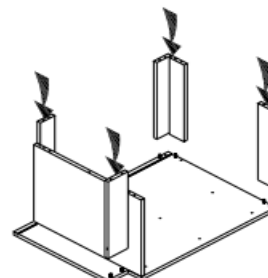
1 Install the dowel into the side panels



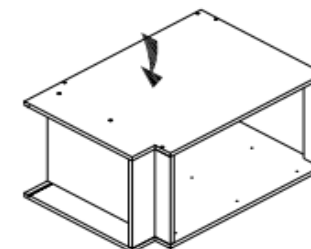
2 Keep a side panel flat on the floor, then insert bottom panel



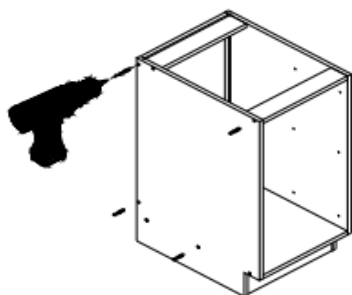
3 Insert the stretcher and kickboard



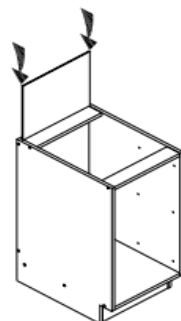
4 Put another side panel on



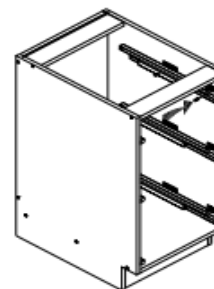
5 Put the screw into the screw hole



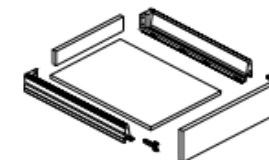
6 Install the back panel



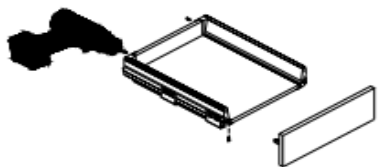
7 Install the slider



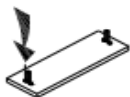
8 Drawer composition



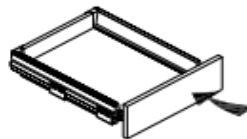
9 Screw the drawer rail fittings on the board



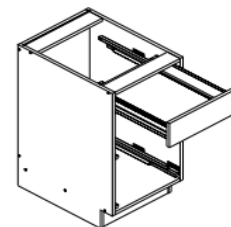
10 Install the connector by using screws



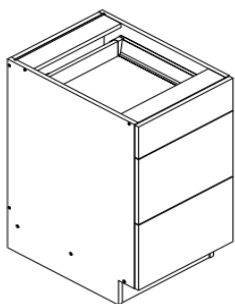
11 The drawer accessibled finished



12 Put the drawer to the cabinet

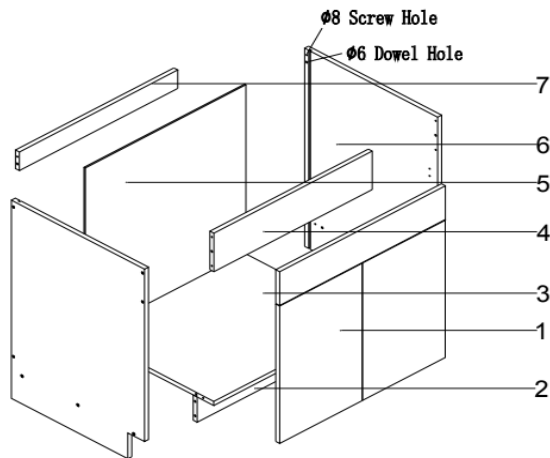
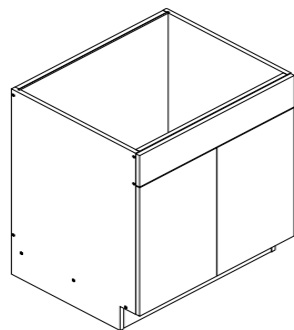


13 Accessibled finished





SB30-SB39
V2421-V3621

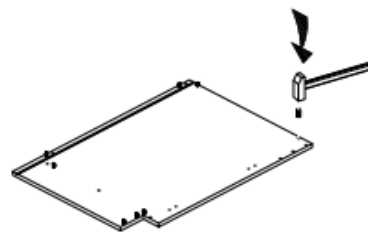


Material List

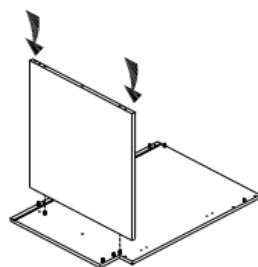
NO.	ITEM	QTY
1	Door	
2	Toe Kick	
3	Bottom Panel	
4	Filler	
5	Back Panel	
6	Side Panel	
7	Stretcher	

NO.	ITEM	QTY
A	Screws	
B	Dowel	
C	Hinge	

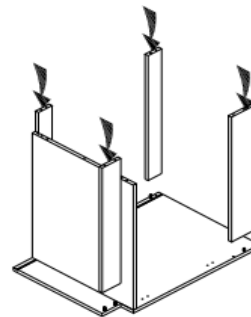
1 Install the dowel into the side panels



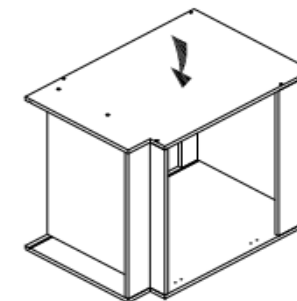
2 Keep a side panel flat on the floor, then insert bottom panel



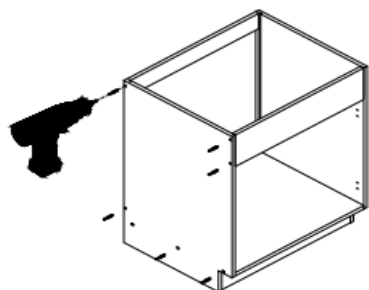
3 Insert the stretcher and kickboard



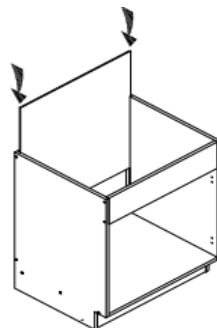
4 Put another side panel on



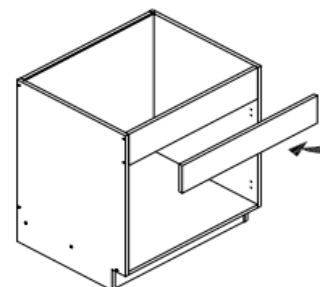
5 Put the screw into the screw hole



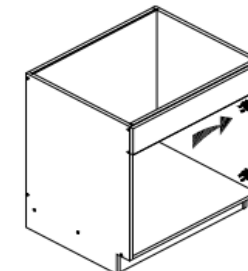
6 Install the back panel



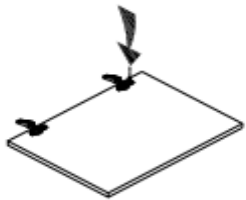
7 Install the panel



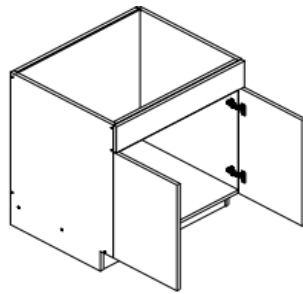
8 Screw the hinge base on the side panel



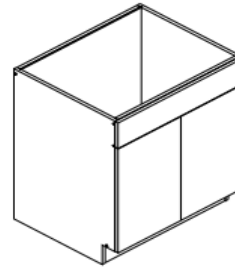
9 Install the hinge on the door



10 Put the hinge into the base, then install doors

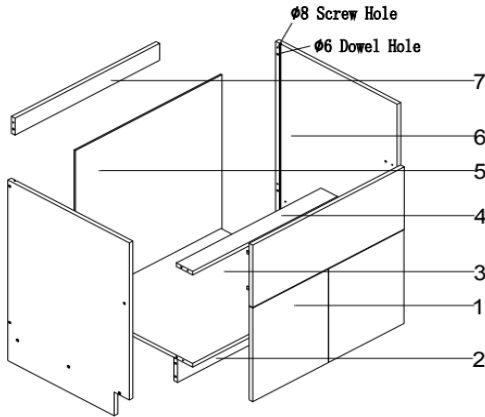
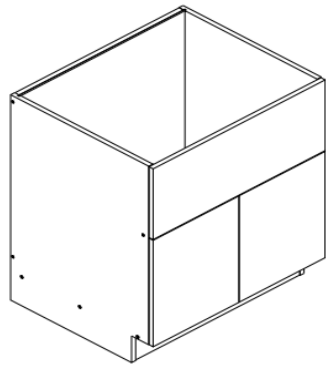


11 Finished





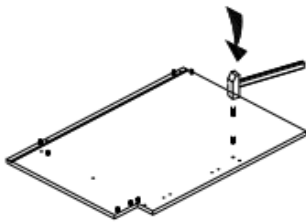
FSM33/FSM36



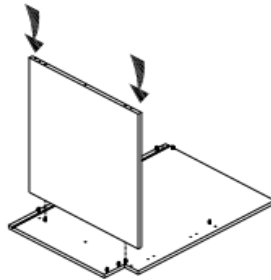
Material List

NO.	ITEM	QTY	NO.	ITEM	QTY
1	Door		A	Screws	
2	Toe Kick		B	Dowel	
3	Bottom Panel		C	Hinge	
4	Filler				
5	Back Panel				
6	Side Panel				
7	Stretcher				

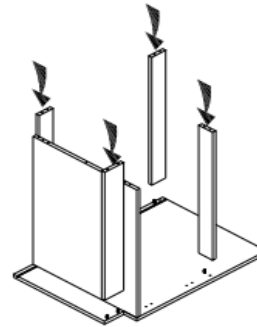
1 Install the dowel into the side panels



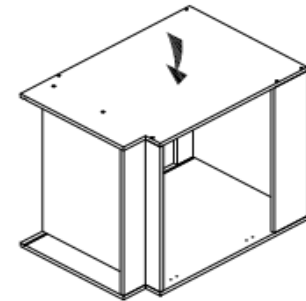
2 Keep a side panel flat on the floor, then insert bottom panel



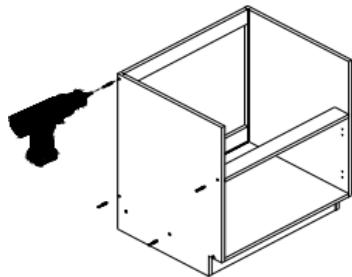
3 Insert the stretcher and toe kick



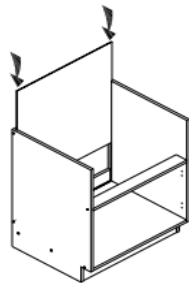
4 Put another side panel on



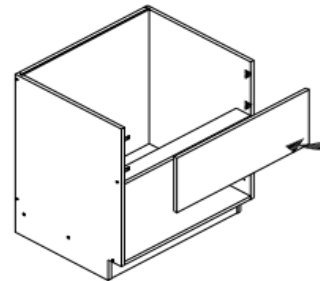
5 Put the screw into the screw hole



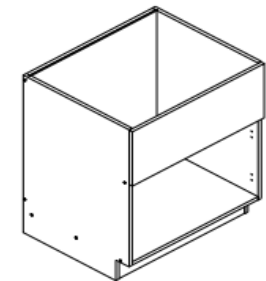
6 Install the back panel



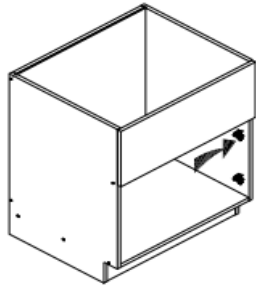
7 Install drawer panel



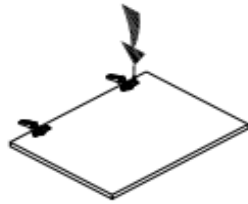
8 Accesible finished



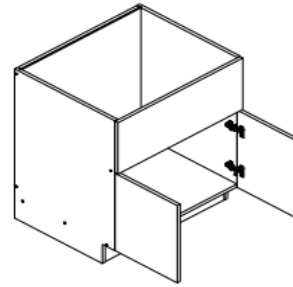
9 Install the hinge base on the side panel



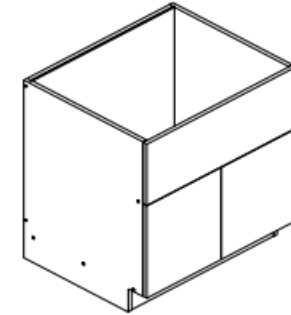
10 Install the hinge on the door

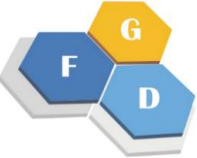


11 Put the hinge into the base, then install doors



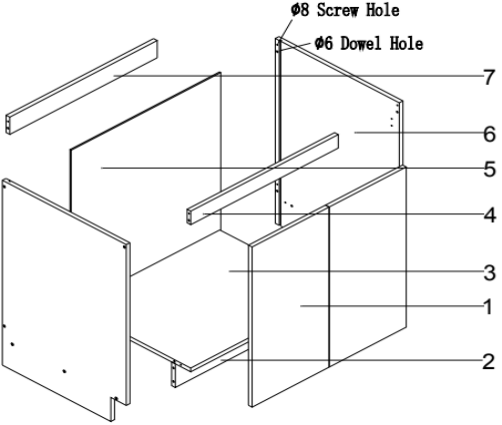
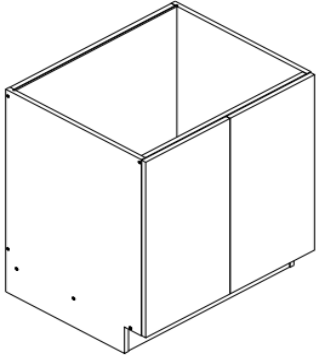
12 Finished





GFD Frameless Cabinet Assembly

SB30FD-SB39FD

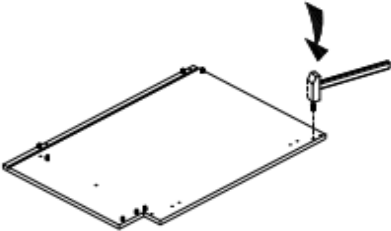


Material List

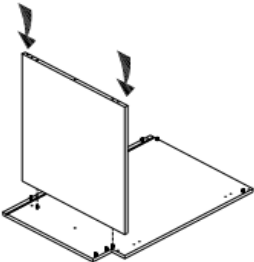
NO.	ITEM	QTY
1	Door	
2	Toe Kick	
3	Bottom Panel	
4	Filler	
5	Back Panel	
6	Side Panel	
7	Stretchers	

NO.	ITEM	QTY
A	Screws	
B	Dowel	
C	Hinge	

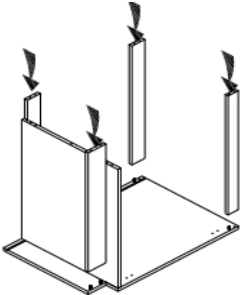
1 Install the dowel into the side panels



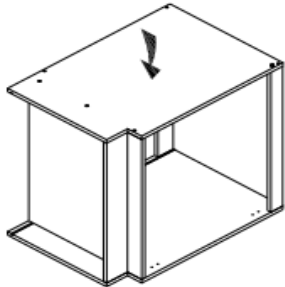
2 Keep a side panel flat on the floor, then insert bottom panel



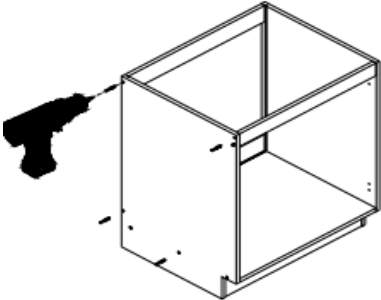
3 Insert the stretcher and toekick



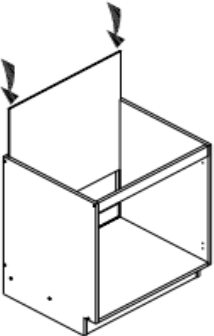
4 Put another side panel on



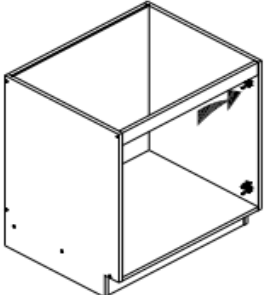
5 Put the screw into the screw hole



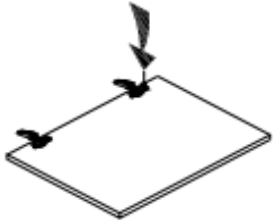
6 Install the back panel



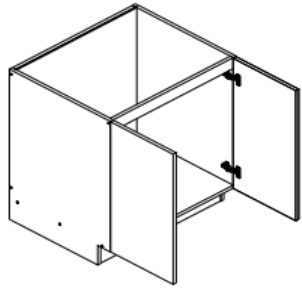
7 Install the hinge base on the side panel



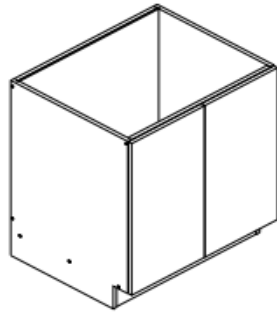
8 Install the hinge on the door

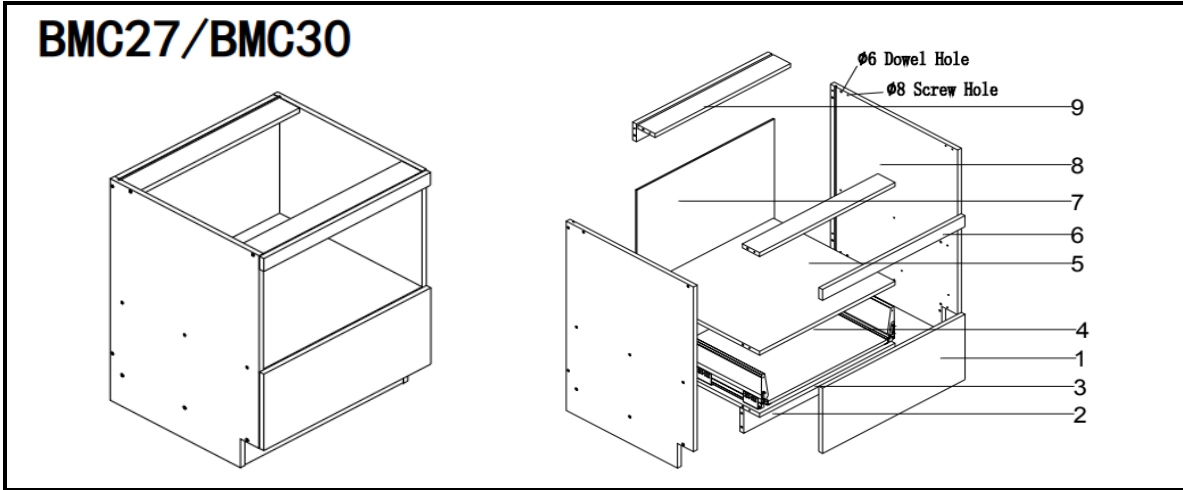


9 Put theb hinge into the base, then
install doors



10 Finished





Material List

NO.	ITEM	QTY	NO.	ITEM	QTY
1	Door		A	Screws	
2	Toe Kick		B	Dowel	
3	Bottom Panel		C	Slider	
4	Drawer Box				
5	Shelf				
6	Filler				
7	Back Panel				
8	Side Panel				
9	Stretcher				

1 Install the dowel into the side panels

2 Keep a side panel flat on the floor, then insert bottom panel

3 Insert the stretcher and toekick

4 Put another side panel on

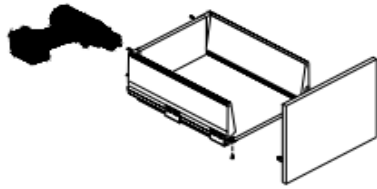
5 Put the screw into the screw hole

6 Install the back panel

7 Install the slider

8 Drawer composition

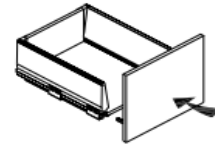
9 Screw the drawer rail fitting on the board



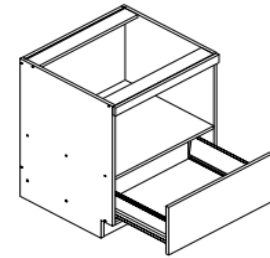
10 Install the connector by using screw



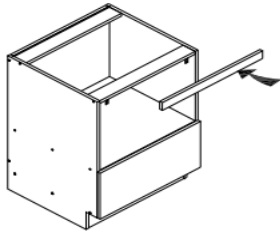
11 The drawer accessible finished



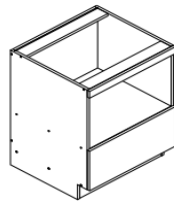
12 Install the drawer to the cabinet



13 Install the filler panel



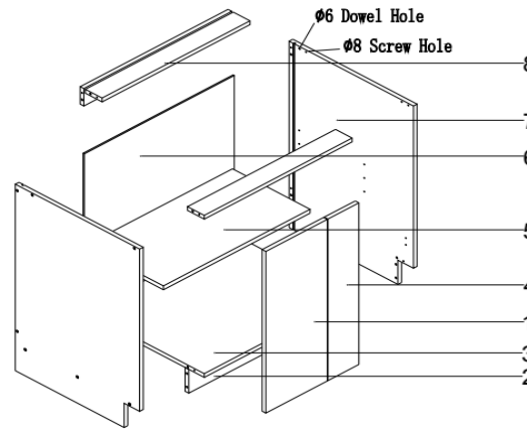
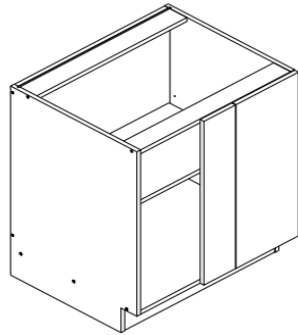
14 Finished





GFD Frameless Cabinet Assembly

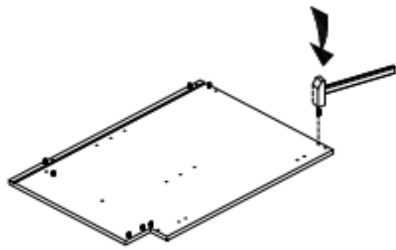
BBC30FD-12
BBC36FD-15
BBC42FD-18 SWING OUT TRAY



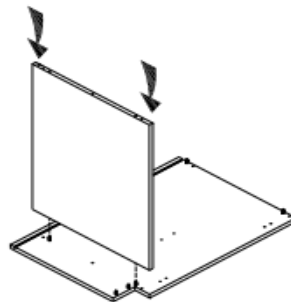
Material List

NO.	ITEM	QTY	NO.	ITEM	QTY
1	Door		A	Screws	
2	Toe Kick		B	Dowel	
3	Bottom Panel		C	Hinge	
4	Filler				
5	Shelf				
6	Back Panel				
7	Side Panel				
8	Stretcher				

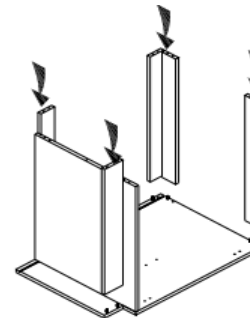
1 Install the dowel into the side panels



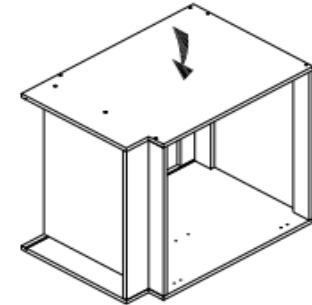
2 Keep a side panel flat on the floor, then insert bottom panel



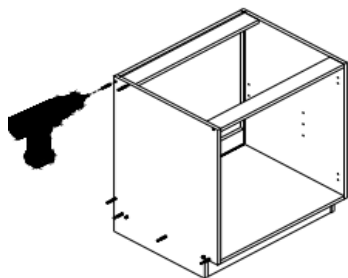
3 Insert the stretcher and toekick



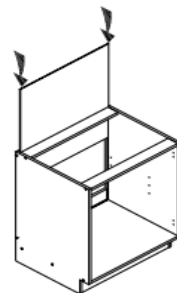
4 Put another side panel on



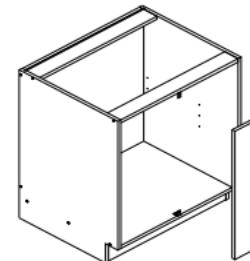
5 Put the screw into the screw hole



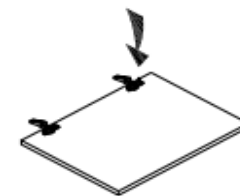
6 Install the back panel



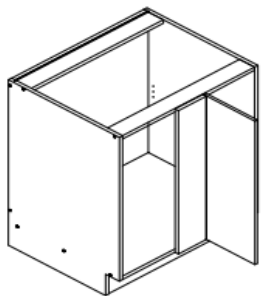
7 Install filler with corner codes



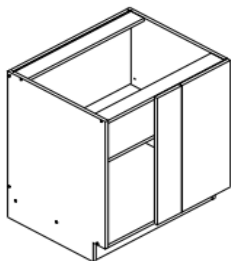
8 Install the hinge on the door



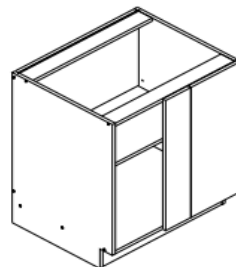
9 Put theb hinge into the base, then
install doors



10 Install the shelf

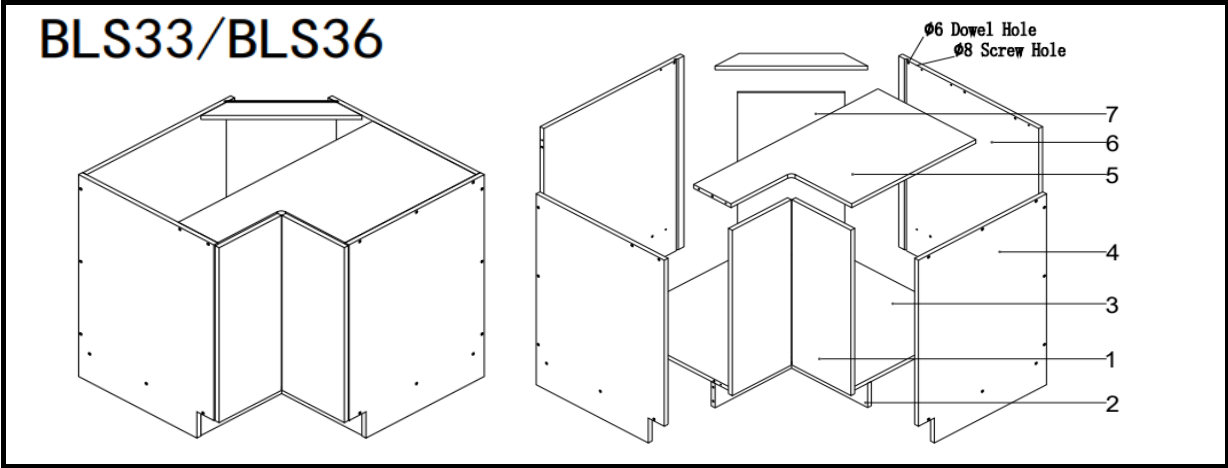


11 Finished



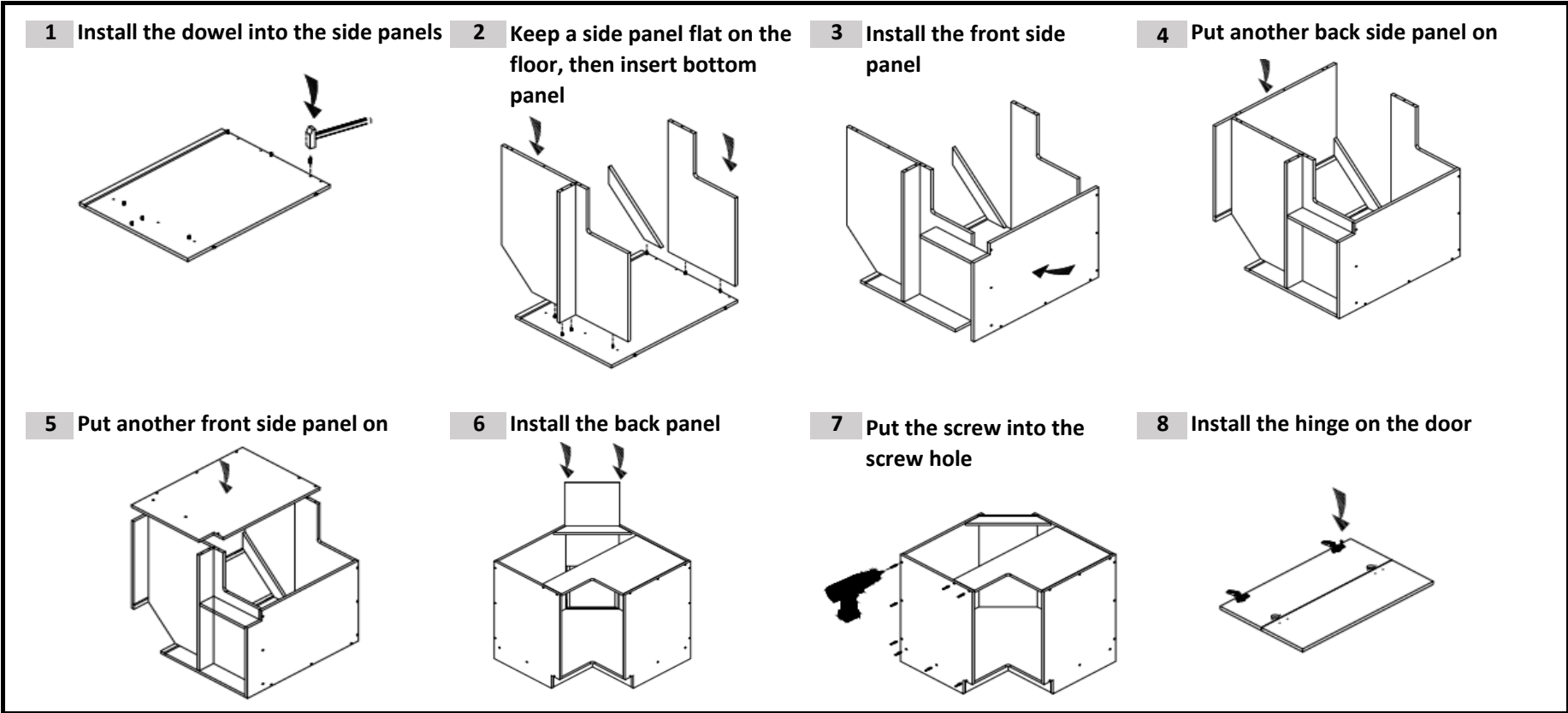


GFD Frameless Cabinet Assembly

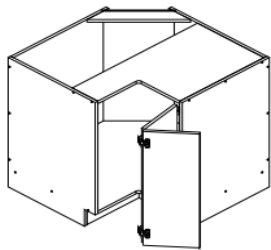


Material List

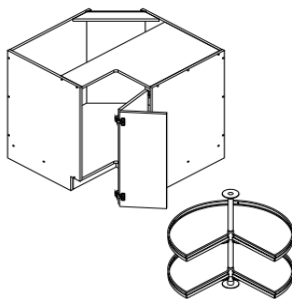
NO.	ITEM	QTY	NO.	ITEM	QTY
1	Door		A	Screws	
2	Toe Kick		B	Dowel	
3	Bottom Panel		C	Hinge	
4	Front Side Panel				
5	Top Panel				
6	Back Side Panel				
7	Back Panel				



9 Put the hinge into the base, then install doors



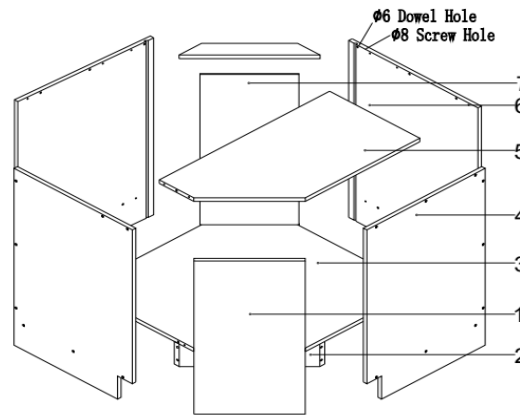
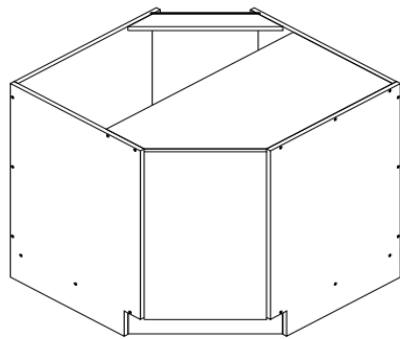
10 Install the turnable shelf, and finish





GFD Frameless Cabinet Assembly

BDC36

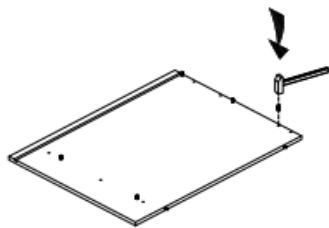


Material List

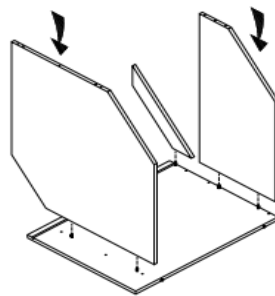
NO.	ITEM	QTY
1	Door	
2	Toe Kick	
3	Bottom Panel	
4	Front Side Panel	
5	Top Panel	
6	Back Slide Panel	
7	Back Panel	

NO.	ITEM	QTY
A	Screws	
B	Dowel	
C	Hinge	

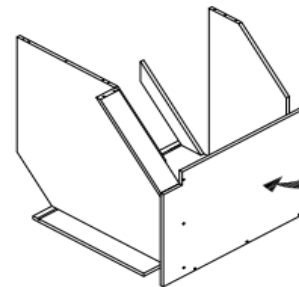
1 Install the dowel into the side panels



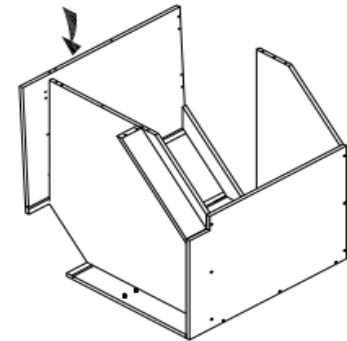
2 Keep a side panel flat on the floor, then insert top&bottom panel



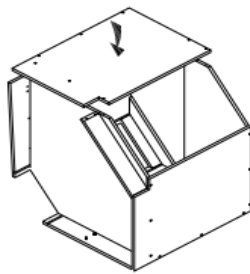
3 Install the front side panel



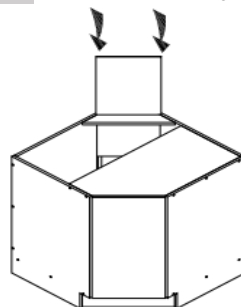
4 Put another back side panel on



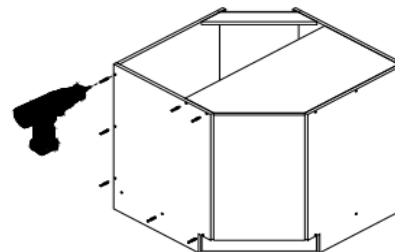
5 Put another front side panel on



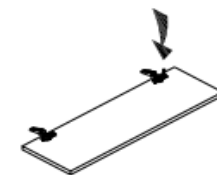
6 Install the back panel



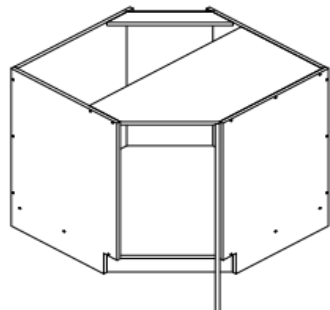
7 Put the screw into the c/screw hole



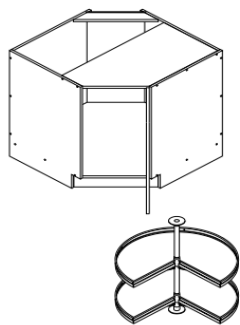
8 Install the hinge on the door



9 Screw the hinge into the base, then install doors

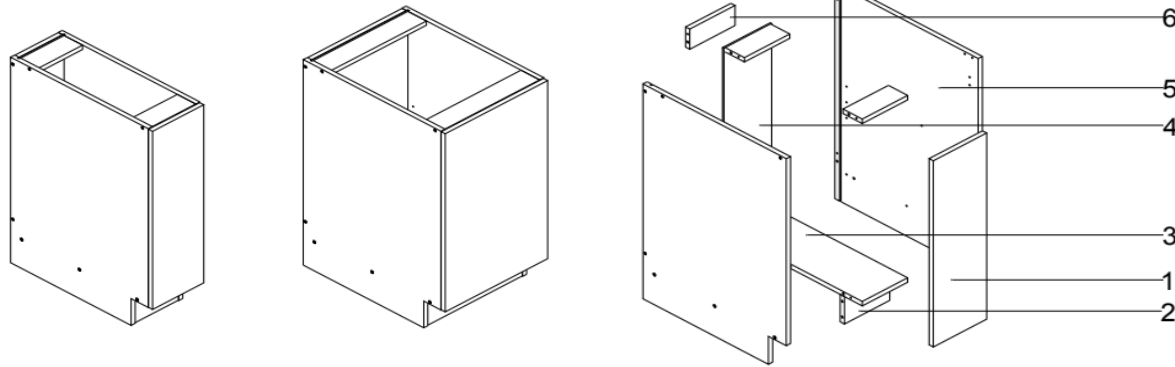


10 Install the turnable shelf, then finished





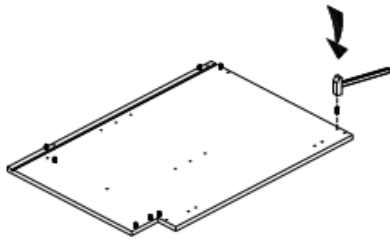
SBP09/SBP12/BWBK18



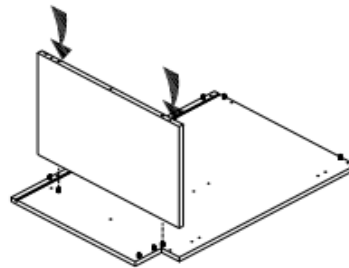
Material List

NO.	ITEM	QTY	NO.	ITEM	QTY
1	Door		A	Screws	
2	Toe Kick		B	Dowel	
3	Bottom Panel				
4	Back Panel				
5	Side Panel				
6	Stretcher				

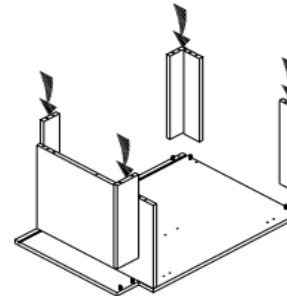
1 Install the dowel into the side panels



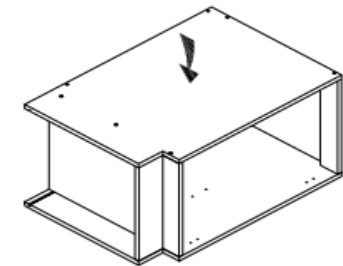
2 Keep a side panel flat on the floor, then install bottom panel



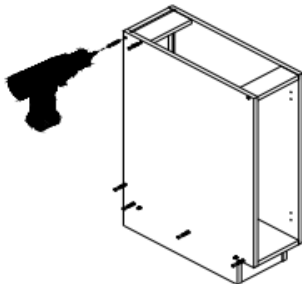
3 Insert the stretcher and toe kick



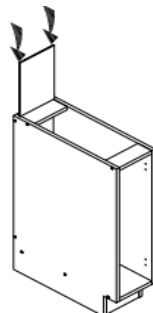
4 Put another side panel on



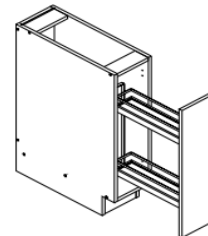
5 Put the screw into the screw hole



6 Install the back panel

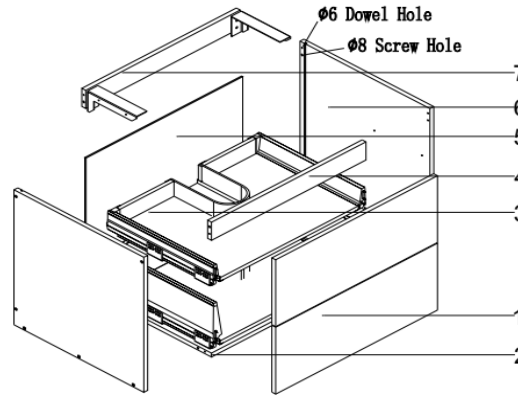
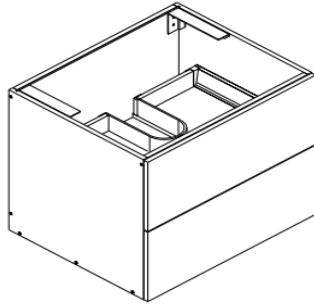


7 Install the shelf, and accessible finished





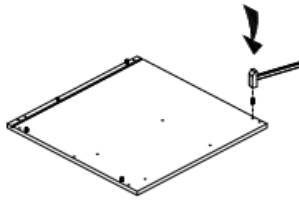
FVSD24-FVSD36



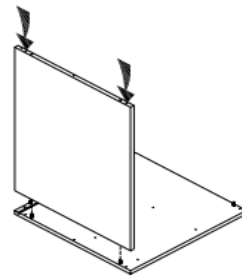
Material List

NO.	ITEM	QTY	NO.	ITEM	QTY
1	Door		A	Screws	
2	Bottom Panel		B	Dowel	
3	Drawer Box		C	Hinge	
4	Filter		D	Support Drame	
5	Back Panel		E	Slider	
6	Side Panel				
7	Stretcher				

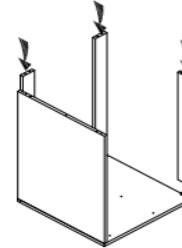
1 Install the dowel into the side panels



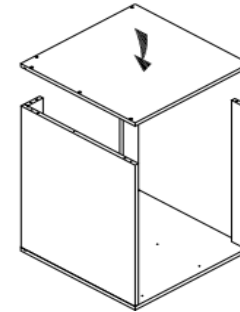
2 Keep a side panel flat on the floor, then install bottom panel



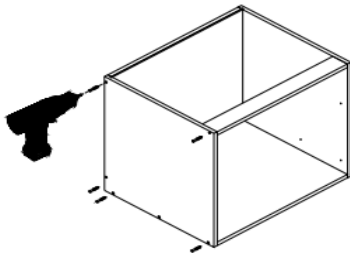
3 Put the stretcher and filler on



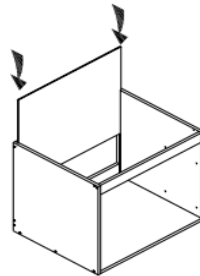
4 Put another side panel on



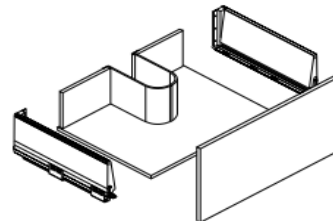
5 Put the screw into the screw hole



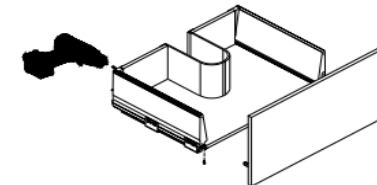
6 Install the back panel



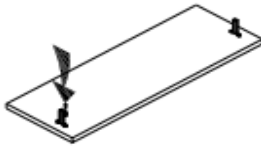
7 Drawer composition



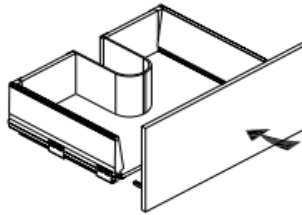
8 Install the drawer rail fittings on the board by using screws



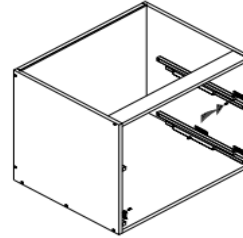
9 Install the connector by using screws



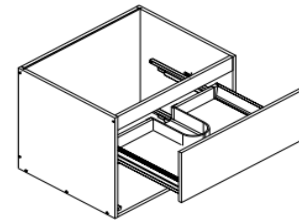
10 The drawer accessible finished



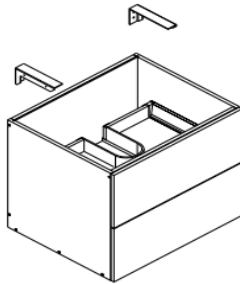
11 Install the slider

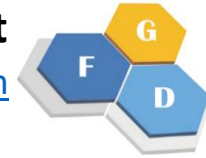


12 Install the drawer to the cabinet

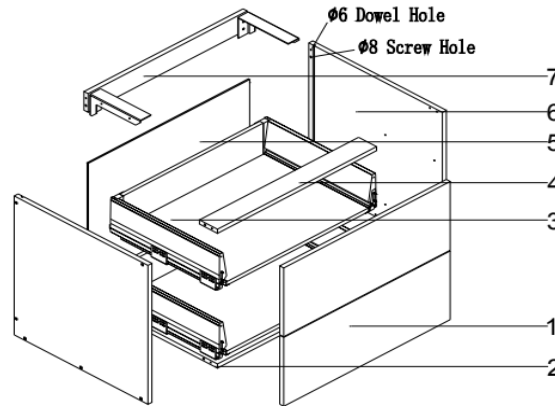
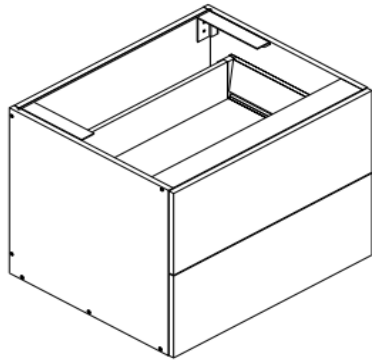


13 Install the support frame, and finished





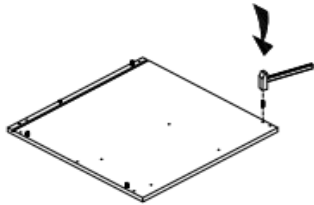
FVD12-2-FVD36-2



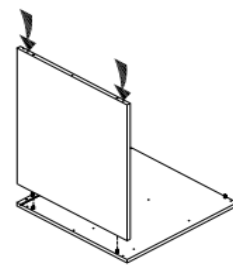
Material List

NO.	ITEM	QTY	NO.	ITEM	QTY
1	Door		A	Screws	
2	Bottom Panel		B	Dowel	
3	Drawer Box		C	Hinge	
4	Filler		D	Support Frame	
5	Back Panel		E	Slider	
6	Side Panel				
7	Stretchers				

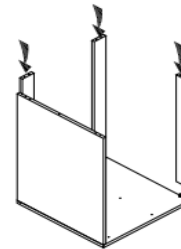
1 Install the dowel into the side panels



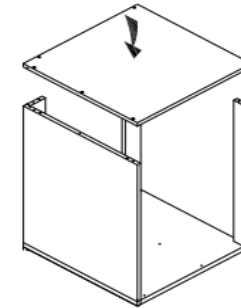
2 Keep a side panel flat on the floor, then install bottom panel



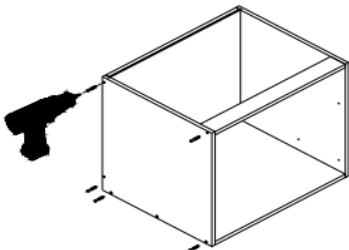
3 Put the stretchers and filler on



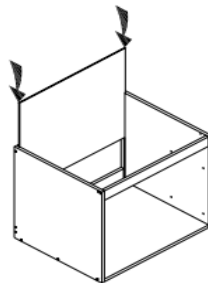
4 Put another side panel on



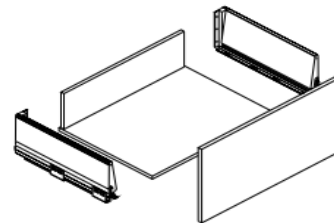
5 Put the screw into the screw hole



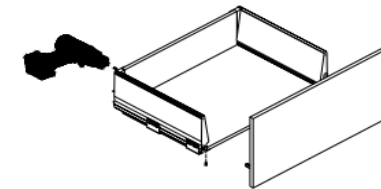
6 Install the back panel



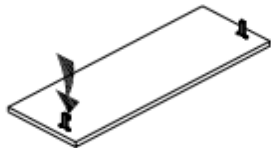
7 Drawer composition



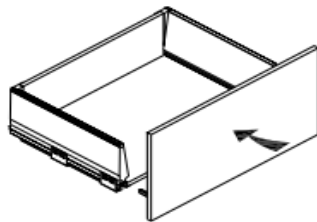
8 Install the drawer rail fitting on the board by using screws



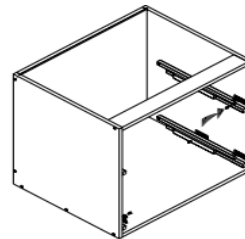
9 Install the connector by using screw



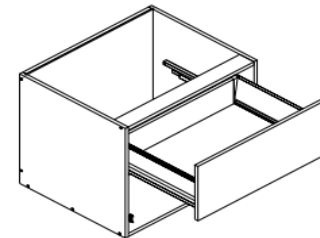
10 The drawer accessible finished



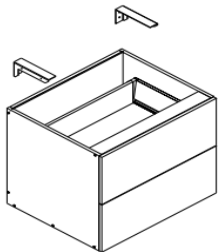
11 Install the slider

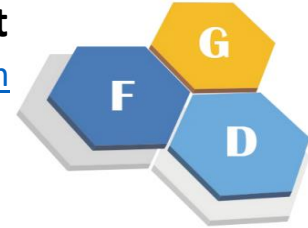


12 Install the drawer to the cabinet

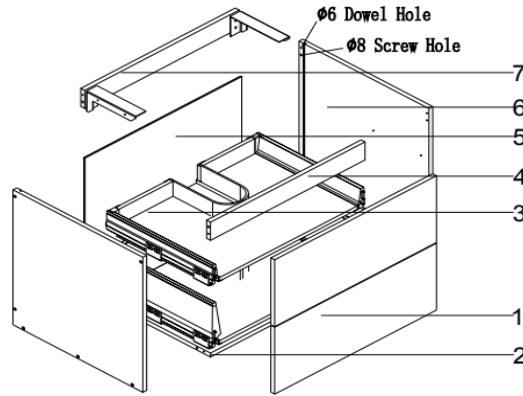
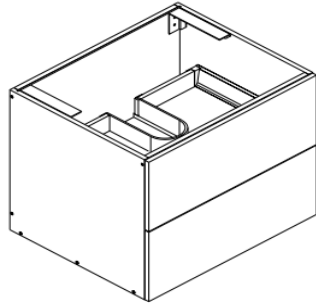


13 Install the support frame, then finished





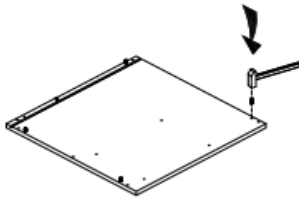
FVSD24-FVSD36



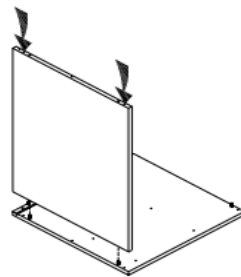
Material List

NO.	ITEM	QTY	NO.	ITEM	QTY
1	Door		A	Screws	
2	Bottom Panel		B	Dowel	
3	Drawer Box		C	Hinge	
4	Filter		D	Support Drame	
5	Back Panel		E	Slider	
6	Side Panel				
7	Stretcher				

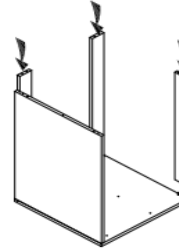
1 Install the dowel into the side panels



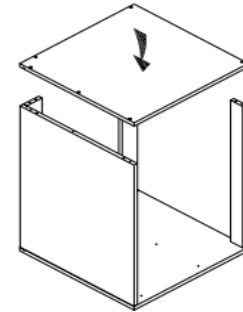
2 Keep a side panel flat on the floor, then install bottom panel



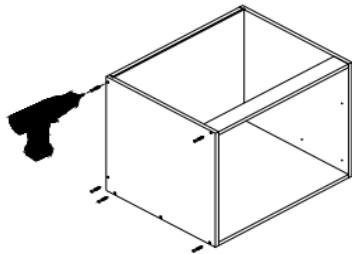
3 Put the stretcher and filler on



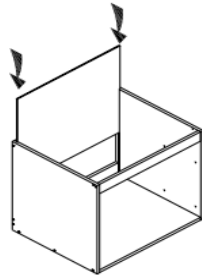
4 Put another side panel on



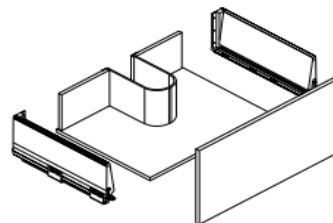
5 Put the screw into the screw hole



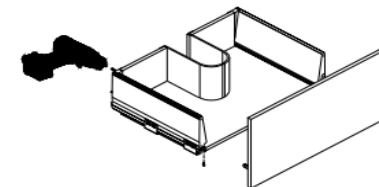
6 Install the back panel



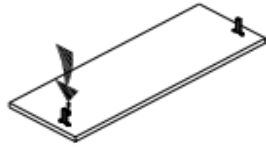
7 Drawer composition



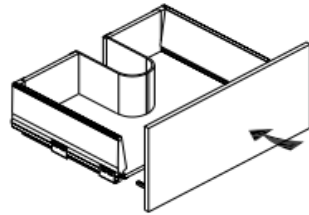
8 Install the drawer rail fittings on the board by using screws



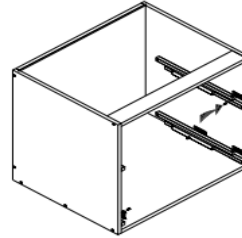
9 Install the connector by using screws



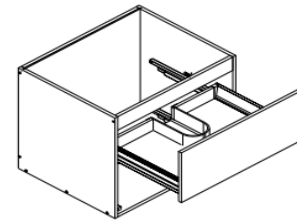
10 The drawer accessible finished



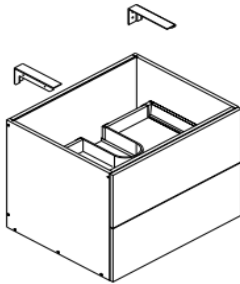
11 Install the slider



12 Install the drawer to the cabinet



13 Install the support frame, and finished

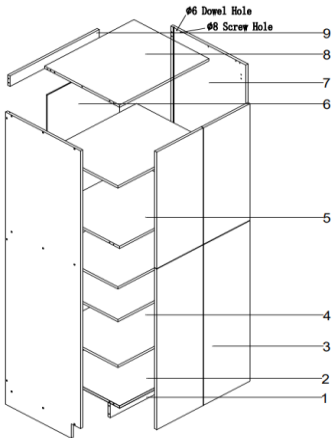
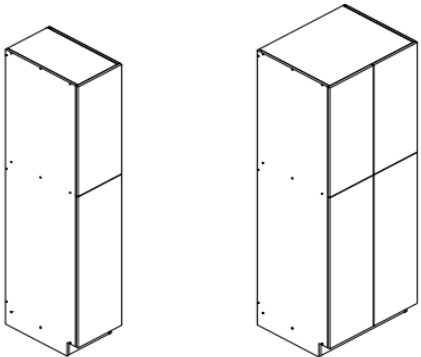




GFD Frameless Cabinet Assembly

PC1590/PC1890
PC1596/PC1896

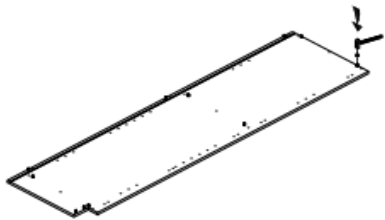
PC2484/PC3084/PC3684
PC2490/PC3090/PC3690
PC2496/PC3096/PC3690



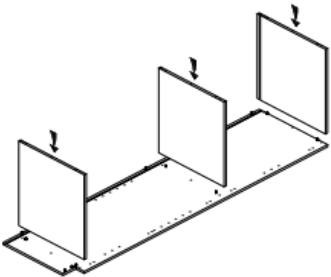
Material List

NO.	ITEM	QTY	NO.	ITEM	QTY
1	Toe Kick		A	Screws	
2	Bottom Panel		B	Dowel	
3	Door		C	Hinge	
4	Shelf				
5	Fixed shelf				
6	Back Panel				
7	Side Panel				
8	Top Panel				
9	Stretcher				

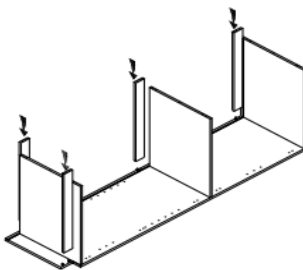
1 Install the dowel into the side panels



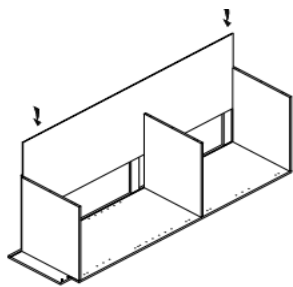
2 Keep a side panel flat on the floor, then insert top&bottom panels and shelf



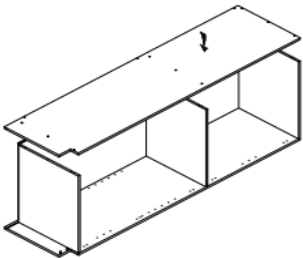
3 Install the stretcher and toekick



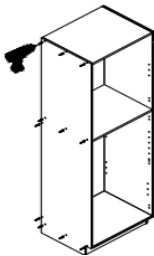
4 Install back panel



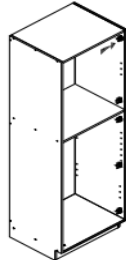
5 Put another side panel on



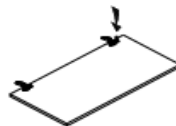
6 Put the screw into the screw hole



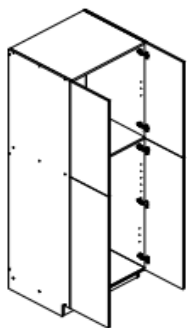
7 Install the hinge base on the side panel



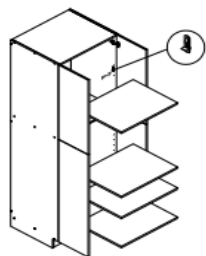
8 Install the hinge on the door



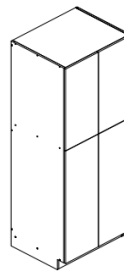
9 Put the hinge into the base, then install doors



10 Install the shelf



11 Finished

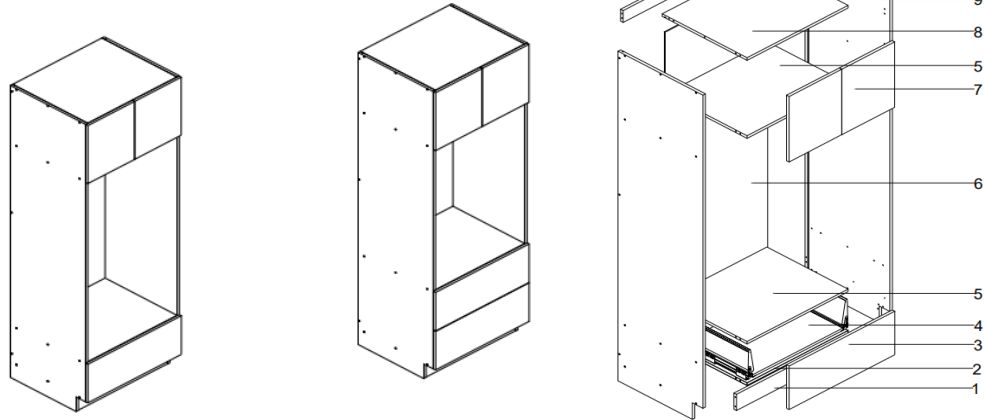




GFD Frameless Cabinet Assembly

MOC3084/MOC3090/MOC3096

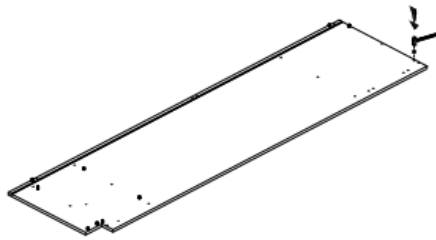
DOC3084/DOC3090/DOC3096



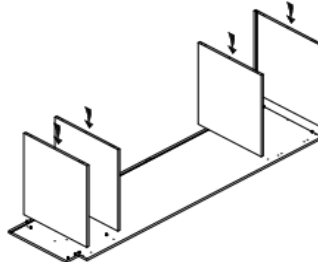
Material List

NO.	ITEM	QTY	NO.	ITEM	QTY
1	Toe Kick		A	Screws	
2	Bottom Panel		B	Dowel	
3	Drawer Panel		C	Hinge	
4	Drawer Box		D	Slider	
5	Shelf				
6	Back Panel				
7	Door				
8	Top Panel				
9	Side Panel				
10	Stretcher				

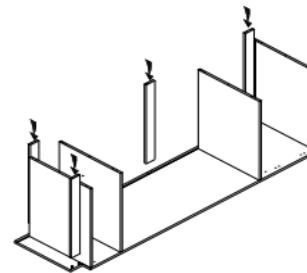
1 Install the dowel into the side panels



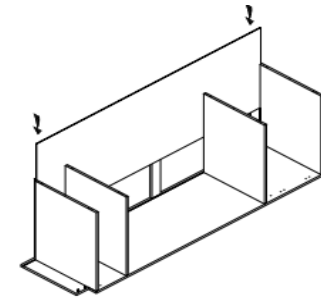
2 Keep a side panel flat on the floor, then insert top&bottom panel and shelf



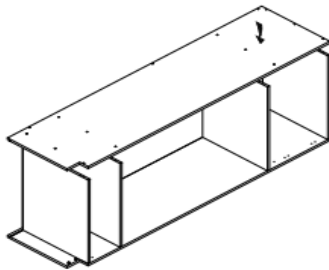
3 Install the stretcher and toe kick



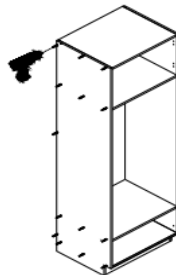
4 Install the back panel



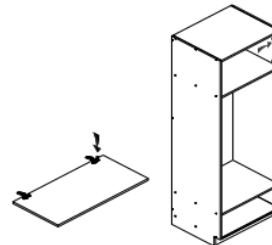
5 Install another side panel



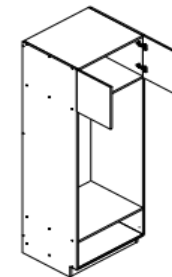
6 Put the screw into the screw hole



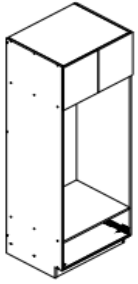
7 Install the hinge base on the side panel and the hinge on the door



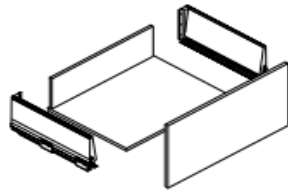
8 Put the hinges into the base, then install doors



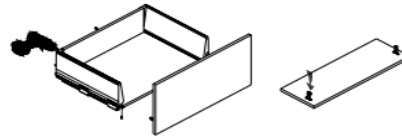
9 Install the slider



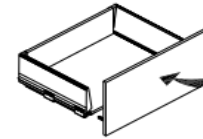
10 Drawer composition



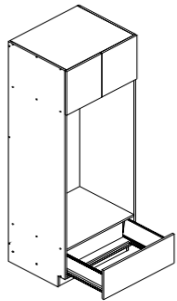
11 Install the drawer rail fittings on the board by using screws

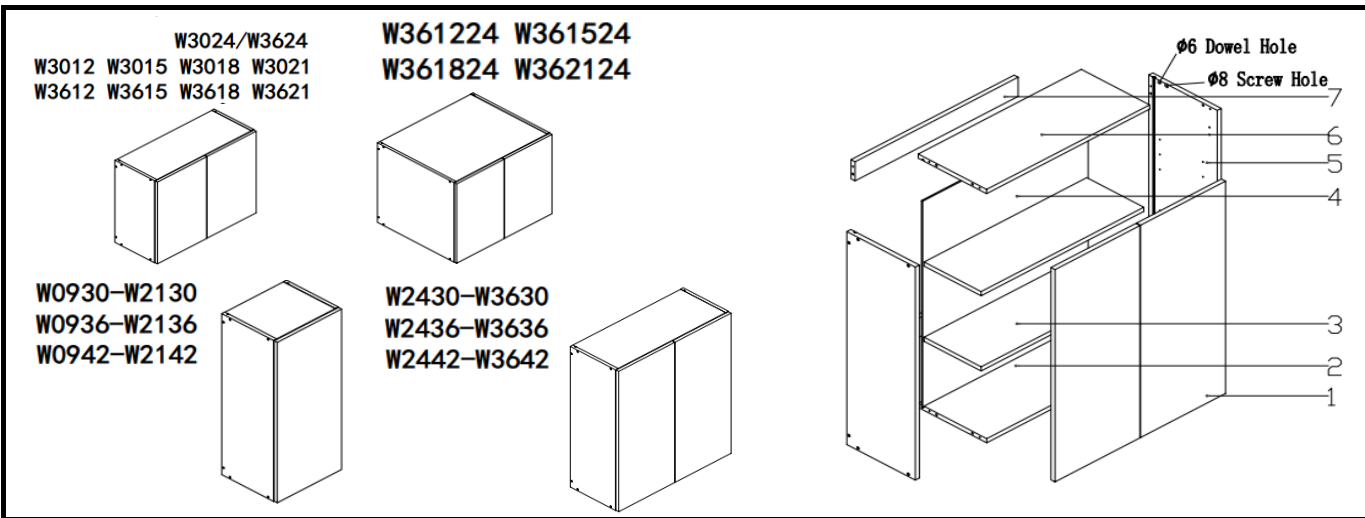
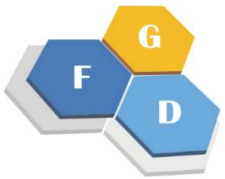


12 The drawer ceessibled finished



13 Put the drawer to the cabinet and finished

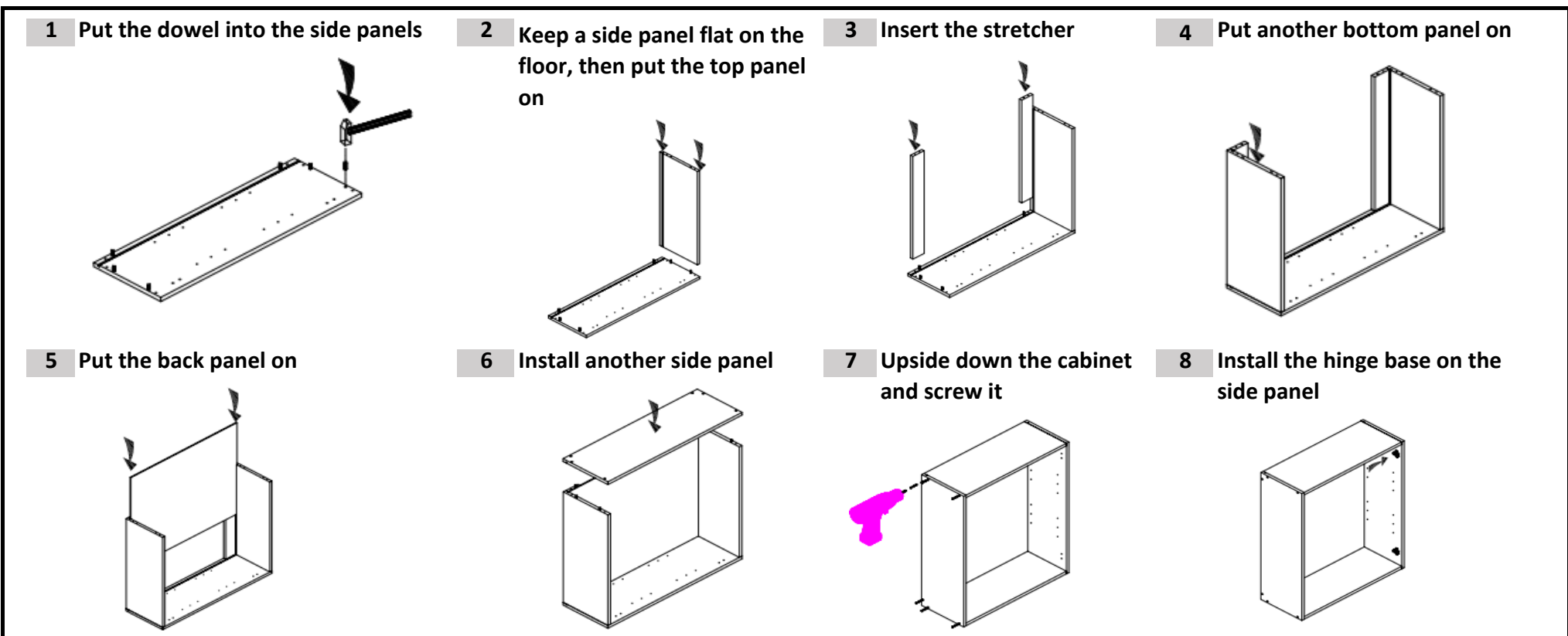




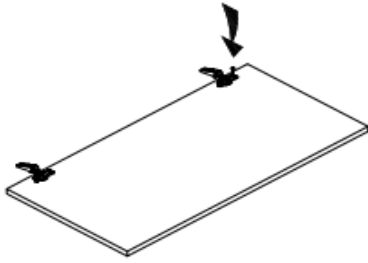
Material List

NO.	ITEM	QTY
1	Door	
2	Bottom Panel	
3	Shelf	
4	Back Panel	
5	Side Panel	
6	Top Panel	
7	Stretcher	

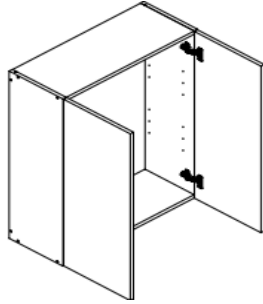
NO.	ITEM	QTY
A	Screws	
B	Dowel	
C	Hinge	



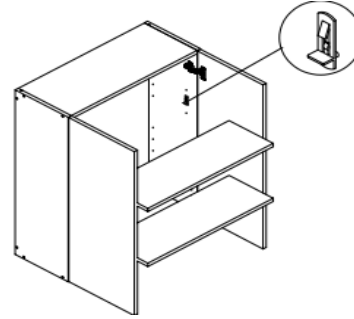
9 Install the hinge on the door



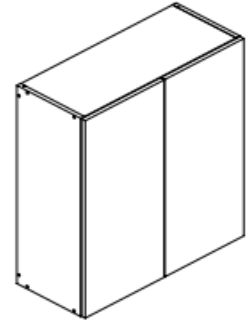
10 Put the hinges into the base, then install doors



11 Install the shelf

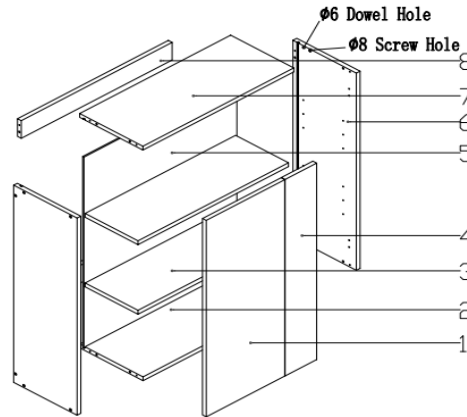
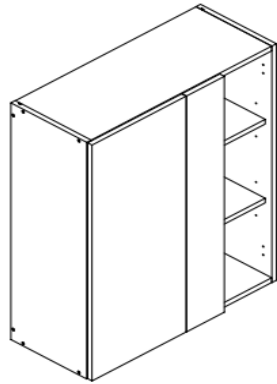


12 Accessed finished





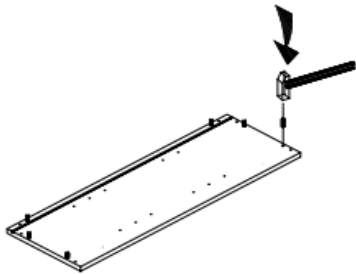
WBC3030/WBC3042



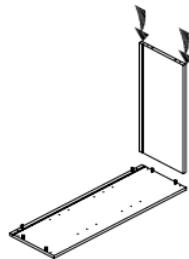
Material List

NO.	ITEM	QTY	NO.	ITEM	QTY
1	Door		A	Screws	
2	Bottom Panel		B	Dowel	
3	Shelf		C	Hinge	
4	Fixed Plate				
5	Back Panel				
6	Side Panel				
7	Top Panel				
8	Stretcher				

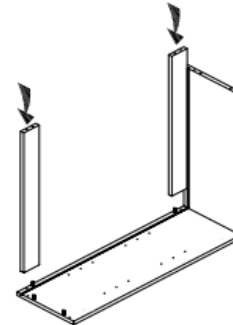
1 Put the dowel into the side panels



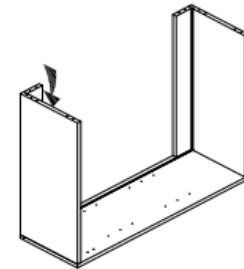
2 Keep a side panel flat on the floor, then put the top panel on



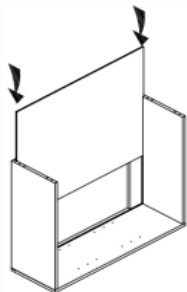
3 Insert the stretcher



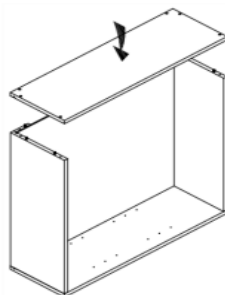
4 Put another bottom panel on



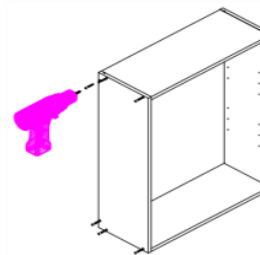
5 Put the back panel on



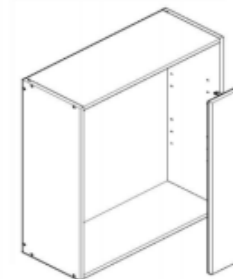
6 Install another side panel



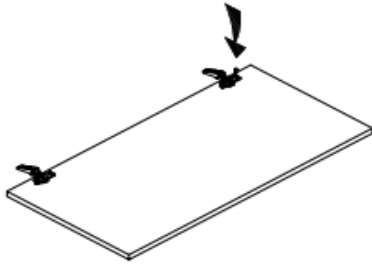
7 Upside down the cabinet and screw it



8 Install the fixed plates



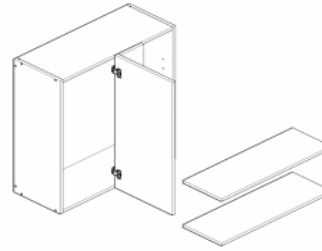
9 Install the hinge on the door



10 Put the hinges into the base, then install doors



11 Install the shelf

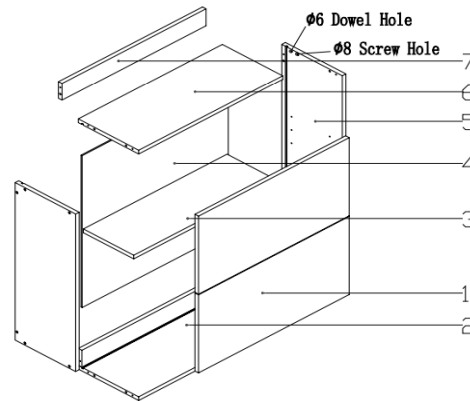
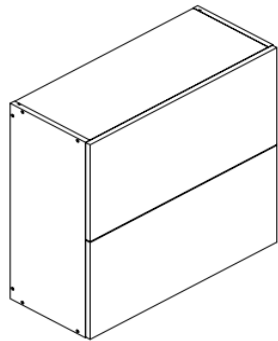


12 Accessible finished





WBF3030/WBF3630
WBF3036/WBF3636

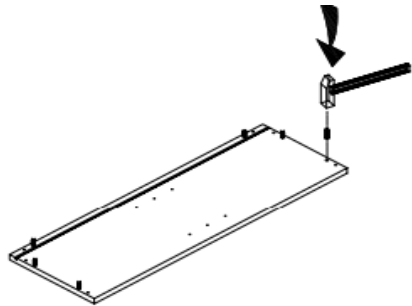


Material List

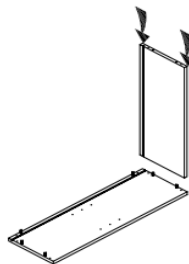
NO.	ITEM	QTY
1	Door	
2	Bottom Panel	
3	Shelf	
4	Back Panel	
5	Side Panel	
6	Top Panel	
7	Stretcher	

NO.	ITEM	QTY
A	Screws	
B	Dowel	
C	Hinge	
D	Folding Hardware	

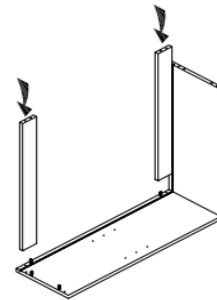
1 Put the dowel into the side panels



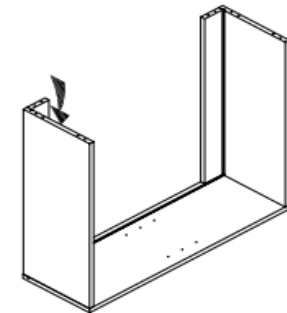
2 Keep a side panel flat on the floor, then insert top panel



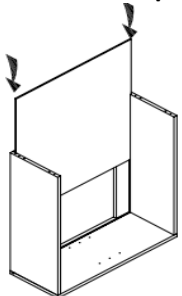
3 Insert the stretcher



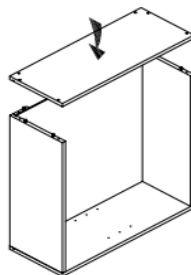
4 Put another bottom panel on



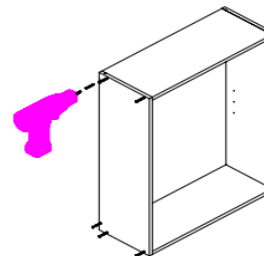
5 Install the back panel



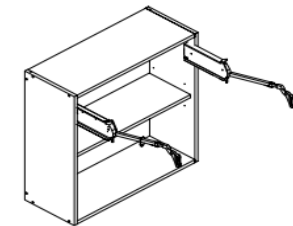
6 Put another side panel on



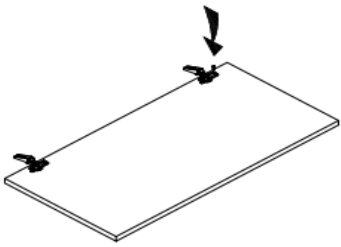
7 Upside down the cabinet and screw it



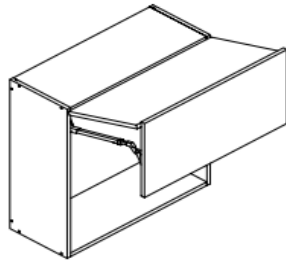
8 Install folding hardware fittings on the side panels



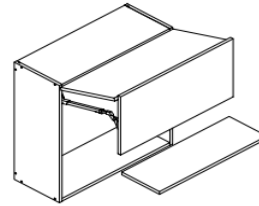
9 Install the hinge on the door



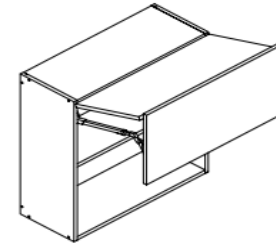
10 Put the hinges into the base, then install doors



11 Install the shelf



12 Accessed finished



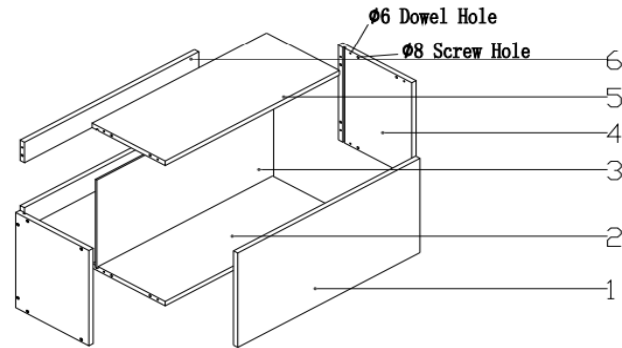
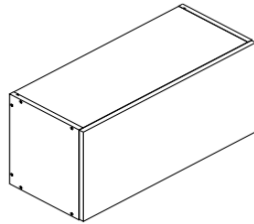
GFD Cabinet Assembly

Granite Factory Direct

<https://GraniteFD.com>



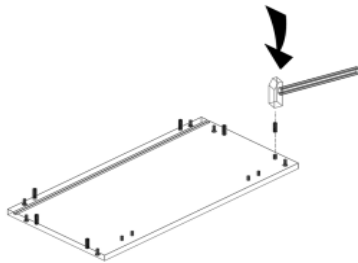
WSL3012 WSL3612
 WSL3015 WSL3615
 WSL3018 WSL3618



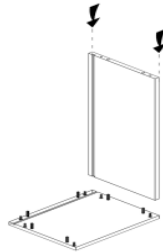
Material List

NO.	ITEM	QTY	NO.	ITEM	QTY
1	Door		A	Screws	
2	Bottom Panel		B	Dowel	
3	Back Panel		C	Hinge	
4	Side Panel		D	Flip up Harware	
5	Top Panel				
6	Stretcher				

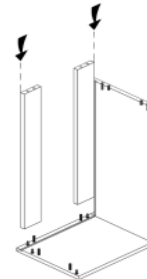
1 Put the dowel into the side panels



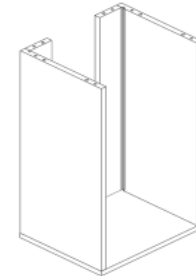
2 Keep a side panel flat on the floor, then insert top panel



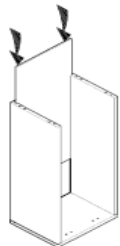
3 Insert the stretcher



4 Put another bottom panel



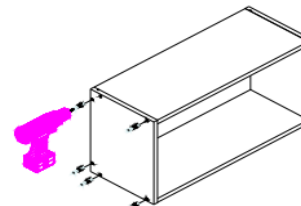
5 Install the back panel on



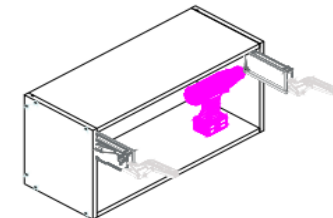
6 Put another side panel on



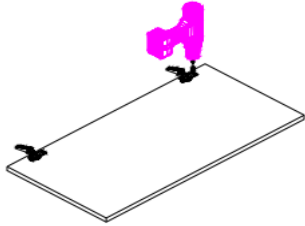
7 Upside down the cabinet and screw it



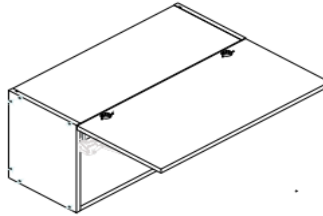
8 Install flip up fittings on the side panels



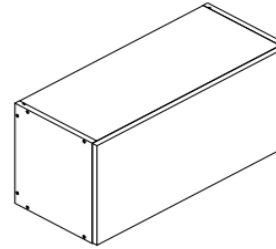
9 Screw the hinge on the door



10 Put the hinge into the base, then install doors

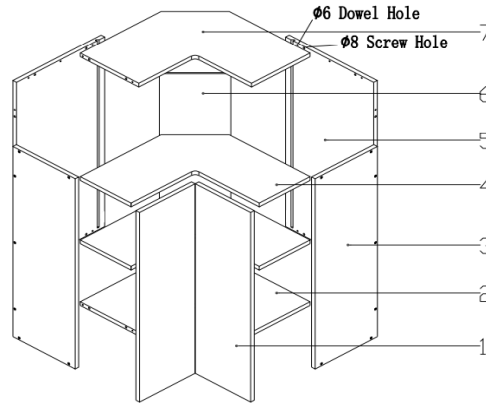
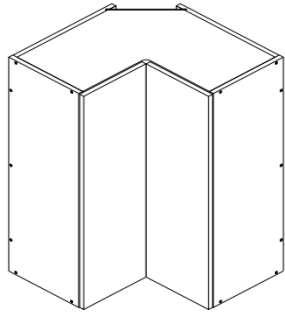


11 Accessible finished





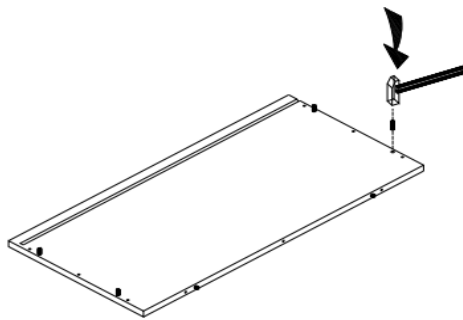
WER2430-WER2442



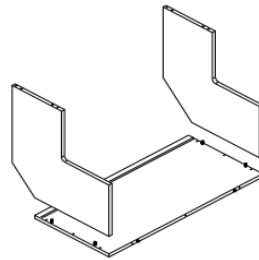
Material List

NO.	ITEM	QTY	NO.	ITEM	QTY
1	Door		A	Screws	
2	Bottom Panel		B	Dowel	
3	Front Side Panel		C	Hinge	
4	Shelf				
5	Back Side Panel				
6	Back Panel				
7	Top Panel				

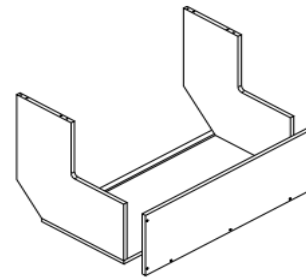
1 Put the dowel into the side panels



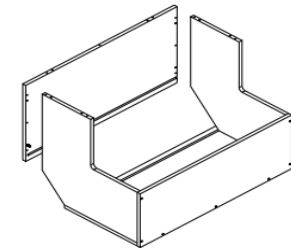
2 Keep a side panel flat on the floor, then insert top and bottom panel



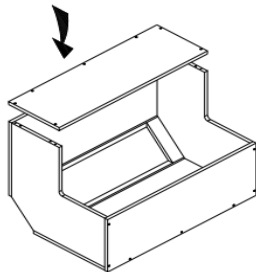
3 Insert the front side panel



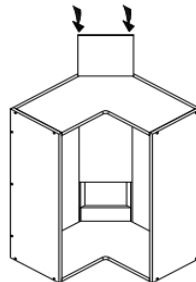
4 Put another back side panel on



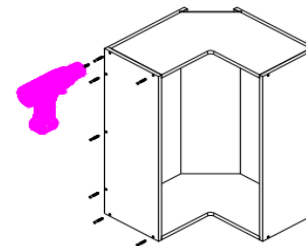
5 Install the front side panel



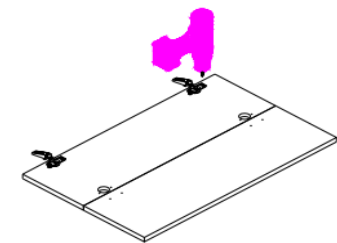
6 Install another side panel



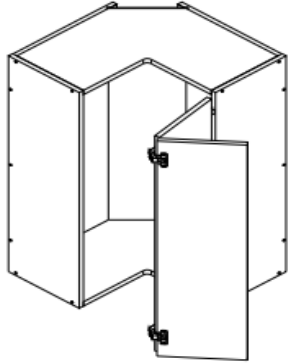
7 Upside down the cabinet and screw it



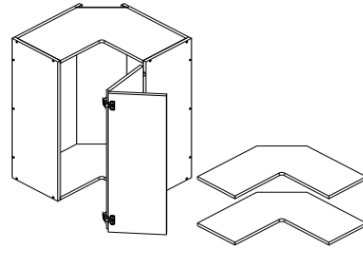
8 Install flip up fittings on the side panels



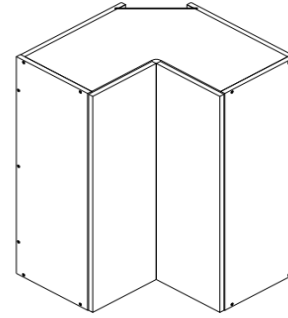
9 Put the hinge into the base, then install doors

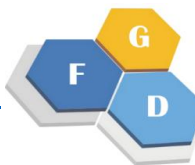


10 Install the shelf

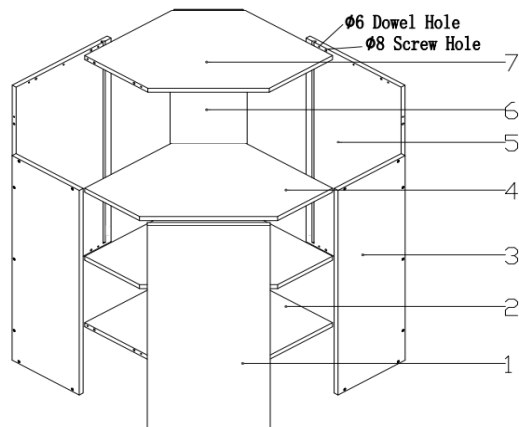
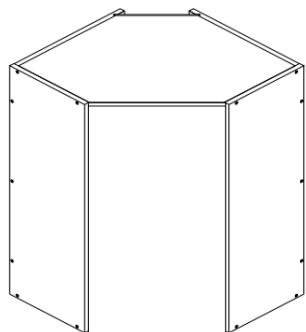


11 Accessible finished





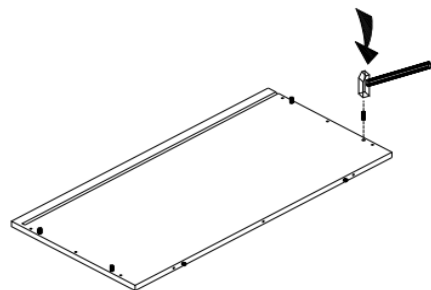
WDC2430/WDC2442



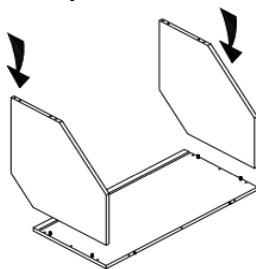
Material List

NO.	ITEM	QTY	NO.	ITEM	QTY
1	Door		A	Screws	
2	Bottom Panel		B	Dowel	
3	Front Side Panel		C	Hinge	
4	Shelf				
5	Back Side Panel				
6	Back Panel				
7	Top Panel				

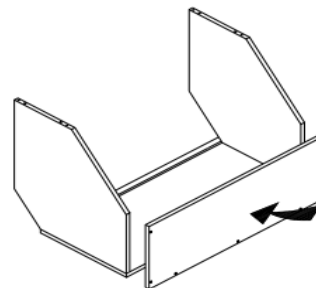
1 Put the dowel into the side panels



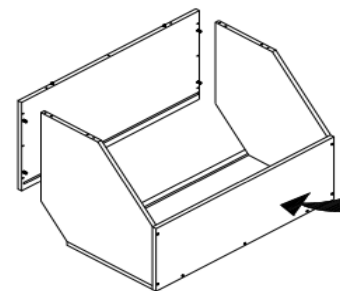
2 Keep a side panel flat on the floor, then insert top and bottom panel



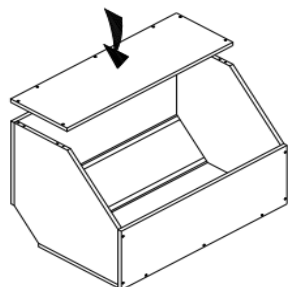
3 Install the front side panel



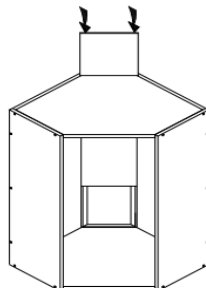
4 Put another back side panel on



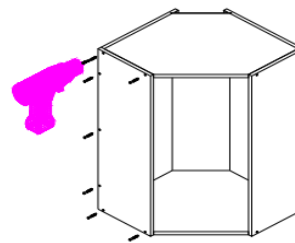
5 Install the front side panel



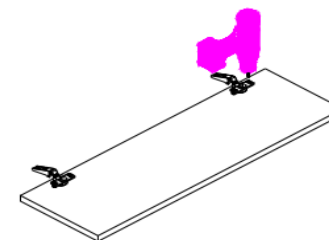
6 Put another side panel on



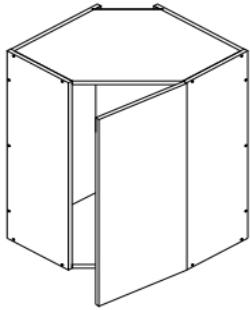
7 Upside down the cabinet, then screw it



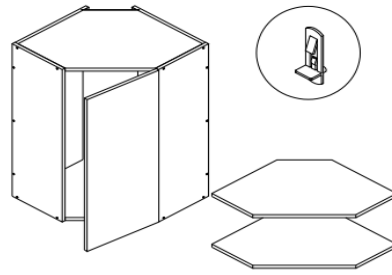
8 Install flip up fittings on side panels



9 Install the hinges into the base, then install doors



10 Install the shelf



11 Accessed finished

