

2MP HD ColorHunter IR Fixed Eyeball Network Camera

IPC3612SR3-ADF28(40)KMC-DL

SKU: T2112



Key Features



- High quality image with 2MP, 1/2.8"CMOS sensor
- 2MP (1920*1080)@ 30fps; 1MP (1280*720) @ 30fps
- Ultra 265, H.265, H.264, MJPEG
- 120dB true WDR technology enables clear image in strong light scene
- Support 9:16 Corridor Mode
- Built-in Mic & Speaker
- Smart IR, up to 30m (98ft) IR distance
- White Light, up to 30m (98ft) white light distance
- Supports 128 G Micro SD card
- IP67 protection
- Support PoE power supply
- 3-Axis







Specifications

| | IPC3612SR3-ADF28KMC-DL | IPC3612SR3-ADF40KMC-DL | | | |
|-------------------------|---|------------------------|-------------|---------------|--------------|
| Camera | | | | | |
| Sensor | 1/2.8", 2.0 megapixel, progressive scan, CMOS | | | | |
| Minimum Illumination | Colour: 0.002Lux (F1.6, AGC ON) 0Lux with light | | | | |
| Day/Night | IR-cut filter with auto switch (ICR) | | | | |
| Shutter | Auto/Manual, 1 ~ 1/100000s | | | | |
| Adjustment angle | Pan: 0° to 360°, Tilt: 0° to 80°, Rotate: 0° to 360° | | | | |
| S/N | >52dB | | | | |
| WDR | 120dB | | | | |
| Lens | | | | | |
| Lens Type | 2.8mm and 4.0mm @1.6, Fixed-focal | | | | |
| Lens Mount | M12 | | | | |
| Angle Of View (H) | 106.7° | 87.5° | | | |
| Angle Of View (V) | 57.1° | 46.3° | | | |
| Angle Of View (O) | 115.7° | 92.4° | | | |
| DORI | | | | | |
| DORI Distance | Lens (mm) | Detect (m) | Observe (m) | Recognize (m) | Identify (m) |
| | 2.8 | 43.4 | 17.4 | 8.7 | 4.3 |
| | 4.0 | 62.1 | 24.8 | 12.4 | 6.2 |
| Illuminator | | | | | |
| IR Range | Up to 30m (98ft) IR range | | | | |
| White Light Range | Up to 30m (98ft) white light range | | | | |
| Wavelength | IR : 850nm | | | | |
| IR On/Off Control | Auto/Manual | | | | |
| Video | | | | | |
| Video Compression | Ultra 265, H.265, H.264, MJPEG | | | | |
| H.264 Code Profile | Baseline profile, Main profile, High profile | | | | |
| Frame Rate | Main Stream: 2MP (1920*1080), Max 30fps; 1MP (1280*720), Max 30fps Sub Stream: 720P (1280*720), Max 30fps; D1 (720*576), Max 30fps; 640*360,Max 30fps; | | | | |
| Video Bit Rate | 128 Kbps~6 Mbps | | | | |
| U-code | Supported | | | | |
| 9:16 Corridor Mode | Supported | | | | |
| OSD | Up to 4 OSDs | | | | |
| Privacy Mask | Up to 4 areas | | | | |
| ROI | Up to 8 areas | | | | |
| Motion Detection | Up to 4 areas | | | | |
| Image | | | | | |
| White Balance | Auto/Outdoor/Fine Tune/Sodium Lamp/Locked/Auto2 | | | | |
| Image Setting | Image rotation, brightness, saturation, contrast, sharpness, gain adjustable by web browser | | | | |
| Digital Noise Reduction | 2D/3D DNR | | | | |

| | |
|------------------------|--|
| Smart IR | Supported |
| Flip | Normal/Vertical/Horizontal/180°/90°Clockwise/90°Anti-clockwise |
| Dewarping | N/A |
| HLC | Supported |
| BLC | Supported |
| Defog | Digital Defog |
| Events | |
| Basic Detection | Cross line, intrusion(based on human body detection) |
| | motion detection, tampering alarm, audio detection |
| General Function | Watermark, IP address filtering, access policy, ARP protection, RTSP authentication, user authentication, HTTP authentication |
| Audio | |
| Audio Compression | G.711 |
| Suppression | Supported |
| Sampling Rate | 8KHZ |
| Storage | |
| Edge Storage | Micro SD, up to 128 GB |
| Network Storage | ANR,NAS(NFS) |
| Network | |
| Protocols | IPv4, IGMP, ICMP, ARP, TCP, UDP, DHCP, RTP, RTSP, RTCP, RTMP, DNS, DDNS, NTP, FTP, UPnP, HTTP, HTTPS, SMTP, SSL/TLS, 802.1x, SNMP |
| Compatible Integration | ONVIF (Profile S, Profile G, Profile T), API, SDK |
| User/Host | Up to 32 users. 2 user levels: administrator and common user |
| Security | Password protection, Strong password, HTTPS encryption, Export operation logs, Basic and digest authentication for RTSP, Digest authentication for HTTP, TLS 1.2, WSSE and digest authentication for ONVIF |
| Client | EZStation EZView EZLive |
| Web Browser | Plug-in required live view: IE9+, Chrome 41 and below, Firefox 52 and below |
| | Plug-in free live view: Chrome 57.0+, Firefox 58.0+, Edge 16+ |
| Interface | |
| Network | 1 * RJ45 10M/100M Base-TX Ethernet |
| Built-in Mic | Supported |
| Built-in Speaker | Supported |
| Certification | |
| EMC | FCC: FCC Part 15 |
| Safety | CE: EN 60950-1 |
| | UL: UL60950-1 |
| | IEC 60950-1 |
| General | |
| Power | DC 12V±25%, PoE (IEEE 802.3af) |
| | Power consumption: Max 8.0W |
| Power Interface | Ø 5.5mm coaxial power plug |
| Dimensions (Ø x H) | Φ118 x 96mm (Φ4.6" x 3.8") |
| Weight | 0.30kg (0.66lb) |

| | |
|---------------------|--|
| Material | Metal + Plastic |
| Working Environment | -30°C ~ 60°C (-22°F ~ 140°F), Humidity: ≤95% RH (non-condensing) |
| Storage Environment | -30°C ~ 60°C (-22°F ~ 140°F), Humidity: ≤95% RH (non-condensing) |
| Surge Protection | 4KV |
| Reset Button | N/A |
| Ingress Protection | Ingress protection: IP67 |

ACCESSORIES:

| | | |
|--|--|---|
| <p>TR-JB03-G-IN</p> <p>Junction Box</p>  | <p>TR-JB07-WM03-G-IN</p> <p>Deluxe Wall Arm Bracket</p>  | <p>TR-WM03-D-IN</p> <p>Standard Wall Arm Bracket</p>  |
| <p>TR-CM24-IN</p> <p>Pendant Mount Adapter</p> <p>Used in conjunction with TR-JB03-G-IN</p>  | <p>TR-SE24-IN</p> <p>Pendant Mount Extension</p> <p>Used in conjunction with TR-CM24-IN</p>  | <p>TR-SE24-A-IN</p> <p>Pendant Mount Long Extension</p> <p>Used in conjunction with TR-CM24-IN</p>  |



TR-SE24-IN

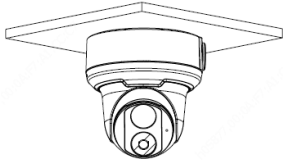
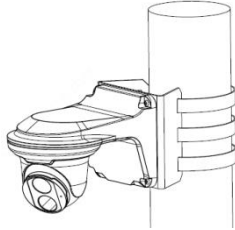
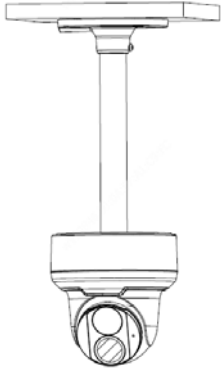


TR-SE24-A-IN



TR-CM24-IN



| Junction Mount | Pole Mount |
|---|---|
| <p>TR-JB03-I-IN</p>  | <p>TR-JB07/WM03-G-IN(TR-WM03-D-IN)+TR-UP06-IN</p>  |
| <p>TR-CM24-IN+TR-JB03-I-IN</p>  | |

Zhejiang Uniview Technologies Co., Ltd.

Building No.10, Wanlun Science Park, Jiangling Road 88, Binjiang District, Hangzhou, Zhejiang, China (310051)

Email: overseasbusiness@uniview.com; globalsupport@uniview.com

<http://www.uniview.com>

©2020 Zhejiang Uniview Technologies Co., Ltd. All rights reserved.

*Product specifications and availability are subject to change without notice.