

# Jydepejsen®

Fire by Design Since 1979



## SIRIUS & ORION



## TROJA

- DK** · Betjeningsvejledning
- DE** · Bedienungsanleitung
- UK** · User Manual
- F** · Manuel d'utilisation

- IT** · Installazione e istruzioni per l'uso
- NO** · Bruksanvisning
- SE** · Bruksanvisning
- NL** · Gebruikshandleiding

## UK

### Contents

1. Introduction
2. Technical Data
3. Installation of Sirius Steel, Sirius Soapstone, Orion Steel, Orion Soapstone and Troja 44-45-46
4. General Installation Information
5. Supply of Combustion Air
6. Warranty
7. Stoking instructions
8. Maintenance
9. Spare Parts List

### Note!

#### **Report the installation of a stove to your local authority.**

The owner of the house is personally responsible for ensuring compliance with the mandatory safety requirements and must have the installation approved by a qualified inspector.

Your local chimney sweep must also be informed about the installation as this will affect the routines for regular chimney-sweeping services.

### WARNING!

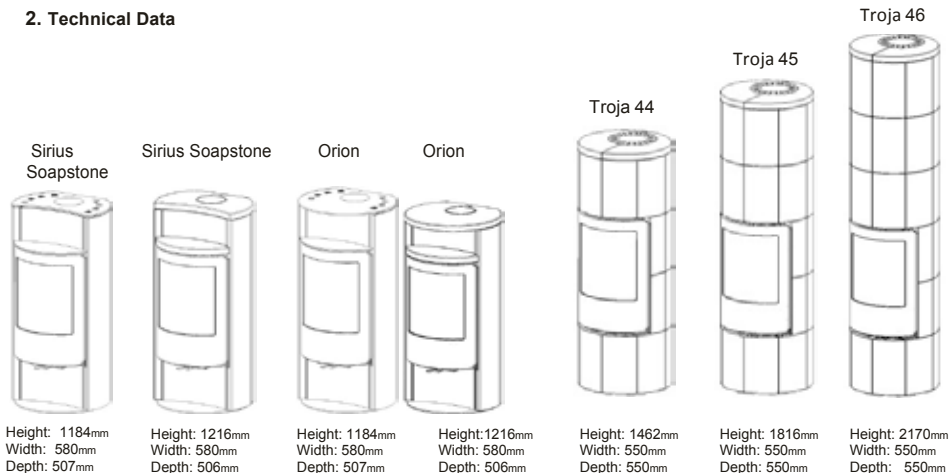
#### **The stove can get very hot.**

During operation, certain parts of the stove can get very hot and can cause burn injury if touched. Also, take heed of the strong heat radiated through the door glass. Placing flammable material closer than the indicated safe distance may cause fire. Smoulder combustion can cause quick gas ignition with the risk of damage to property and personal injury.

## 1. Introduction

Congratulations on your new stove. You have probably already installed the stove and maybe lit it for the first time as well. Most of us, especially those used to having a stove, consult the operating instructions only when a problem occurs. In spite of this, we hope that you will take the time to read these operating instructions since the use of the stove may vary and depends also on which model you have. Before you can fully enjoy being the owner of a stove, you need to get to know it well. This is not difficult, but it does take a little bit of patience. For further information on heat, stoking, combustion problems, maintenance and cleaning, please refer to Jydepejens's Installation and Stoking Manual.

## 2. Technical Data



Output	3-8 kW
Nominal output	8 kW
Efficiency	79 %
Flue gas mass flow	6.4 g/s
Smoke adapter temperature	349°
Type approved in accordance with European standard:	EN-13240
Norwegian standard:	NS 3058
German standard:	DIN Plus

### Weight

Stove	Weight
Sirius Steel	145 kg
Sirius Soapstone	280 kg
Orion Steel	150 kg
Orion Soapstone	288 kg
Troja 44	294 kg
Troja 45	354 kg
Troja 46	412 kg
Accumulation stones, 1 set	106 kg
Troja 44 with accumulation stones (1 set)	400 kg
Troja 45 with accumulation stones (2 sets)	566 kg
Troja 46 with accumulation stones (3 sets)	730 kg

### Important Information!

#### Professional Installation

This manual contains instructions about how the stoves must be assembled and installed. To ensure the function and safety of the stove, we recommend that the installation is carried out by an authorised technician. Contact one of our dealers who can recommend suitable fitters.

#### Building Permit

These basic instructions may give guidance which would contravene national building regulations. Please refer to supplementary instructions or ask your local authority for advice regarding building regulations.

#### Structural Support

Check that the wood joists are strong enough to bear the weight of stove and chimney. The stove and chimney can usually be placed on a normal wooden joist in a single occupancy house, if the total weight does not exceed 400 kg.

#### Floor Plate

Due to the risk of falling embers, a combustible floor must be protected by a hearth plate, which covers at least 300 mm to the front and 100 mm along each side. The hearth plate can consist of natural stone, concrete, metal or glass. A painted metal or glass hearth plate is available as an accessory for these models.

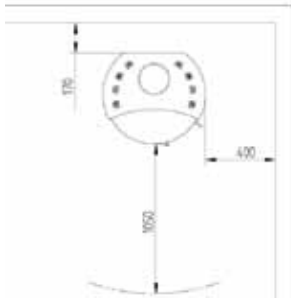
### 3. Installation of Sirius Steel, Sirius Soapstone, Orion Steel, Orion Soapstone and Troja 44-45-46

Jydepejsen stoves are tested by specialist institutions and get approved according to applicable legislative requirements. Before final approval is granted, the stoves must successfully complete a variety of combustion tests. The stove tested featured a top flue outlet. The wood used for the tests was birch, with a moisture content of 12–20%.

Jydepejsen's professional distributors will be able to advise you on the requirements for this type of wood-burning stove and provide further instructions regarding correct installation. Your distributor / chimney sweep will also be able to tell you exactly which chimney you need. Below is an illustration of wall and corner installation with and without insulated flues.

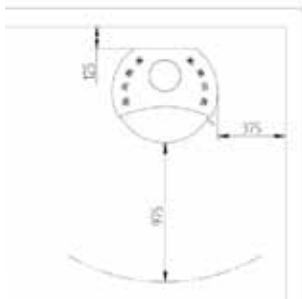
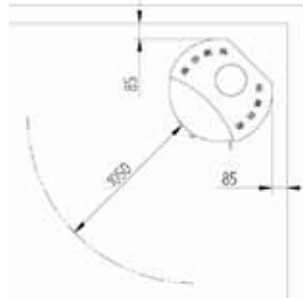
#### Distance to combustible materials.

The illustrations below depict Sirius Steel but they apply also to Sirius Soapstone, Orion Steel, Orion Soapstone and Troja 44-45-46.



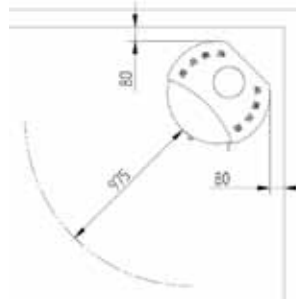
Sirius Steel, Sirius Soapstone, Orion Steel, Orion Soapstone and Troja 44-45-46 **without** insulated flues.

All distances are minimum distances.



Sirius Steel, Sirius Soapstone, Orion Steel, Orion Soapstone and Troja 44-45-46 **with** insulated flues.

All distances are minimum distances.



#### Installation distance in case of non-combustible wall.

We recommend a minimum distance of 50 mm to non-combustible materials for cleaning purposes. There has to be access to the cleaning covers at all times.

#### **4. General Installation Information**

All local regulations, including those which refer to national and European standards, must be observed when installing a wood-burning stove.

You must ensure that there is sufficient intake of combustion air, also when used with other heating and extraction devices. Houses today are often so well insulated that it may be necessary to take in fresh air from outside via fresh air vents. Fresh air vents should not be blocked.

You should also check that the vermiculite plates are correctly fitted inside the combustion chamber. The position of these is shown in the illustration in this instruction manual.

You must install your stove according to the required minimum distance to combustible materials.

##### **Floor/foundation/wall**

The stove must be installed / hanged on a non-combustible foundation / at a non-combustible wall - i.e. where there is no tile or brick floor, the stove must meet the requirements relating to distance to combustible materials in front of/ behind/beside the stove, according to applicable legislative requirements. If you are in doubt, consult you dealer before installing the stove. You can contact your construction architect or the local authorities in order to find out whether the wall where the stove is to be installed is combustible.

The stove is not suitable for installation in shared flues.

### Modification of Chimney Connection

The stove is ready to be connected to a top flue outlet, but can be modified for rear flue outlet in the following manner:

#### Sirius Steel

1. Use a hammer and/or a screwdriver to release the plug from the rear and the jet plate.



2. Loosen the 2 bolts that hold the plug of the rear flue outlet. Remove the top plate and loosen the two bolts that hold the adapter.



3. Switch the smoke adapter plug and the rear outlet plug. Finally, install the top plate and the plug of the top outlet in place.

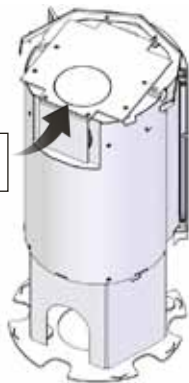


The same approach is used for Sirius Soapstone, Orion Steel and Orion Soapstone.

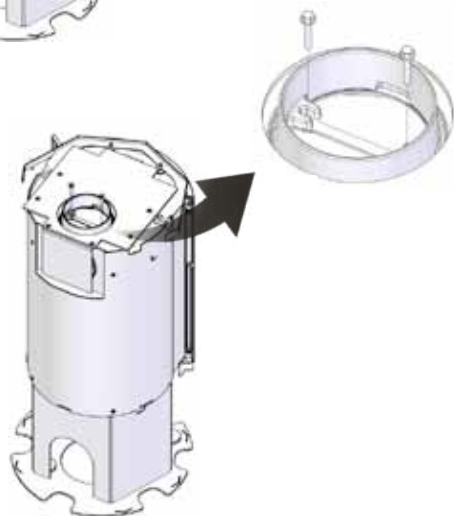
**Troja 44-45-46.**

Top flue outlet

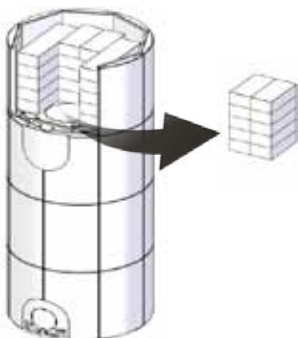
1. Use a hammer and/or a screwdriver to release the top plate plug.



2. Install the supplied smoke adapter.



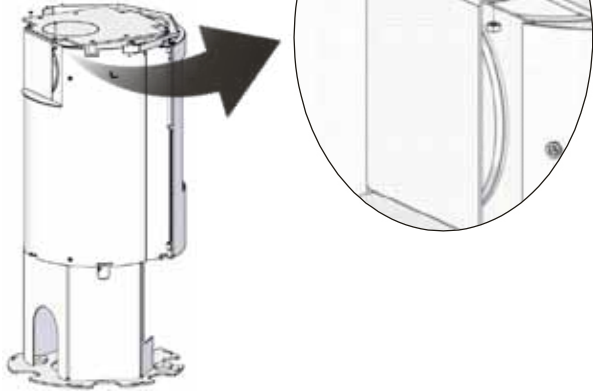
If the stove is supplied with accumulation stones, 10 stones from each set must be removed.



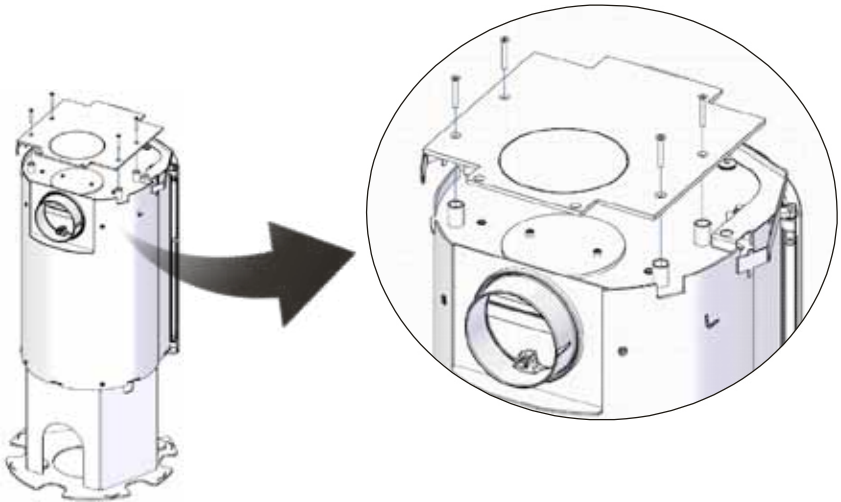
**Troja 44-45-46.**

Rear flue outlet

1. Loosen the bolts and the nuts and dismantle the steel plate



2. Loosen the bolts and remove the top plate.
3. Remove the rear outlet plate and install it on the top outlet.
4. Install the supplied smoke adapter on the rear outlet and then mount the top plate again.

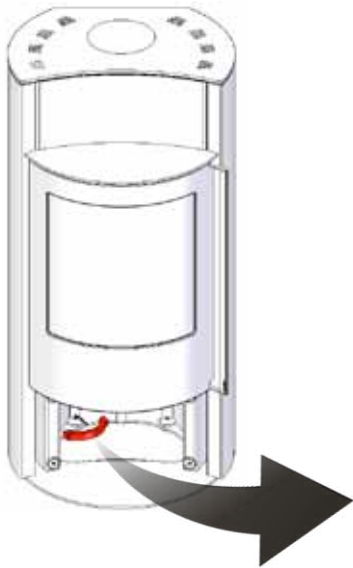
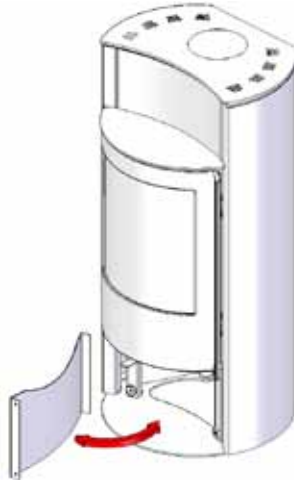




### Base Adjustment

Applies to all models except for Troja 44-45-46, which has no combustible plate.

1. Start by uninstalling the combustible plate. The combustible plate is attached using magnets.
2. Adjust the base using a 4 mm Umbraco key. Use a spirit level to make sure that the stove is level.



### 5. Supply of Combustible Air

When a stove is installed in a room, the demand for air supply to the room increases. Air can be provided indirectly via a vent in the outer wall or via a duct from the outside that is connected to the connector underneath the stove. The amount of air needed for combustion is approx. 25 m<sup>3</sup>/h.

The connector has an external diameter of 100 mm.

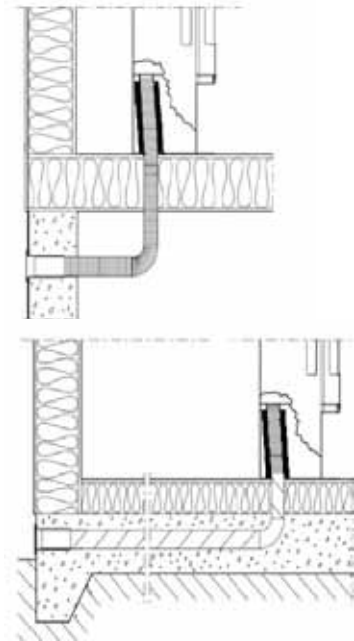
In hot areas the duct should be insulated to prevent condensation formation. For this purpose, use 25 mm mineral wool covered with a moisture inhibitor. It is important that the lead-in between the pipe and the wall (or floor) is sealed using jointing compound.

### Supply of combustion air through the bottom plate

Applies to all versions.



The bottom plate is "combustion air"-ready.

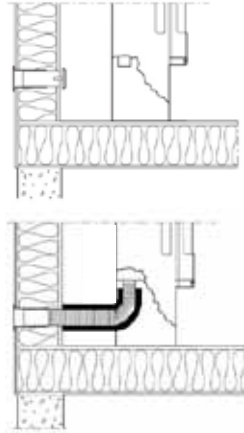


**Supply of combustion air through the rear plate.**

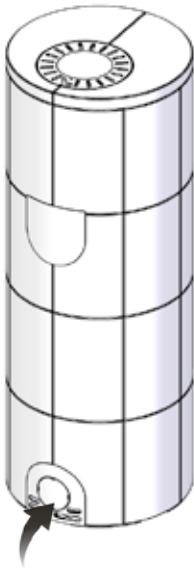
Sirius Steel, Sirius Soapstone, Orion Steel and Orion Soapstone.



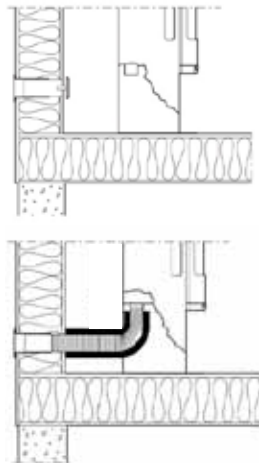
Use a hammer and/or a screwdriver to release the rear plate plug.



Troja 44-45-46.



Use a pair of cutting pliers or a screwdriver to release the plug of the plate.



## **6. Warranty**

Brand new wood burning stoves from Jydepejsen A/S come with a 5-year warranty.

### **The warranty covers:**

- Defects
- Fire penetration with correct operation.

Any claims during the warranty period should be directed to the dealer who sold the stove. A signed and dated invoice must also be produced, showing the dealer's name.

In connection with repairs, you must also provide your dealer with the stove model and serial number. All stoves from Jydepejsen come with their own individual serial number on the type plate on the back of the stove.

### **No compensation will be granted for:**

- Transport damages.
- Damages due to incorrect use, such as overheating.
- Consequential damages and damages to other property resulting from the use of the stove.
- Non-compliance with the operating instructions.
- Glass and soapstone.

In case of repairs under warranty, any costs associated with spare parts and remuneration are covered by Jydepejsen A/S. Dismounting/mounting of chimney, transport and re-installation of the stove are not covered by the warranty and must therefore be paid for by the buyer. The stove has wearing parts, which are to be replaced when needed. These parts are not covered by the warranty. The frequency at which they have to be replaced is individual and depends on the use of the stove.

### **The wearing parts include:**

- Vermiculite plates
- Baffle plates
- Sealing bands

If the abovementioned parts should break into pieces or are worn out and need to be replaced, you can order new parts from your dealer.

## 7. Stoking Instructions

It is very important to ensure that your chimney has a decent draught (at least 12 Pa chimney draught). The Alpha and Omega is the cooperation between the chimney and the stove. The draft is affected both by the length and the area of the chimney, as well as by how well the chimney is sealed. The minimum recommended chimney length is 3.5 m, and the suitable cross-section area is 150-200 sq. cm (140-160 mm in diameter). Your dealer or your chimney sweep will be able to guide and advise you on your chimney conditions. If the chimney has not been used for a while, it has to be inspected for blockages. In some cases, it can be relevant to install a draught control device in order to be able to control the draught in the stove.

### Fuel

The product has been tested and approved pursuant to EN13240 and NS 3058 for stoking with split, dried birch wood with a water content of 12-20%. Stoking with wet firewood results in soot, environmental pollution and bad fuel economy. Newly cut wood contains approx. 60-70 % water and is absolutely unsuitable for stoking. At least 1 year of storage time is necessary for newly cut wood before it can be used. Regardless of the wood size, it should always be split and have at least one bark-free side.



We strongly advise against stoking with impregnated, painted and laminated wood, plywood, chipboard, domestic waste, milk cartons, printed paper or the like. The use of these materials invalidates the warranty since they can produce poisonous corrosive or hazardous fumes.

Furthermore, the poisonous gas dioxin can be produced, which is damaging both to the stove and to the environment. **USE RECOMMENDED FUELS ONLY**

### Recommended Fuels

The following table shows the calorific value of the different types of wood, which have been stored for 2 years and have residual moisture of 15-17%.

Wood	Kg dry wood per m3	compared	to
beech/oak			
Hornbeam	640	110%	
Beech and oak	580	100%	
Ash	570	98%	
Maple	540	93%	
Birch	510	88%	
Mountain pine	480	83%	
Fir	390	67%	
Poplar	380	65%	

1 kg of wood yields the same heat energy irrespective of wood type. 1 kg beech merely takes up less space than 1 kg of fir.

When this is settled, the next important step is to ensure that the chimney and the stove work well together. This is done by following the operating instructions carefully and using dry fuel that inflames easily. For further information on correct kindling and stoking, please refer to Jydepejsen's Manual for installation and stoking.

Please note that the stove paint will harden during the initial stoking. Touching the stove should be avoided since this may cause the paint to scale. Ensure effective ventilation during this phase because the stove can generate smoke and unpleasant odour. The smoke and the odour are not harmful and will dissipate after about 1 hour of operation.

The stove will expand and contract during the stoking and cooling phase, which could result in creaking noises. This phenomenon is completely normal for sheet-iron stoves and cannot be regarded as a fault. All Jydepejsen wood-burning stoves are intermittent, which means that new wood should be added when there is a layer of embers in the burning chamber.

Incorrect stoking or combustion is often due to wet wood or insufficient draft in the chimney. Always make sure that the chimney is not blocked and that the vermiculite panels are properly placed. In case of overheating or chimney fire, shut off all air supply and monitor the situation.

Never attempt to put off a chimney fire with water because steam will form (water evaporates at a rate of 1:1700), resulting in a fast pressure build-up, which can cause serious damage to the chimney.

## DuplicAir®

Sirius Steel, Sirius Soapstone, Orion Steel, Orion Soapstone and Troja 44-45-46 are equipped with DuplicAir®. DuplicAir® is a specially designed air control system for primary and secondary air regulation. DuplicAir® is operated using a knob at the front of the stove.

### Operation of DuplicAir®

The oven's combustion air wheel has the following settings and functions:

1. When the knob is in position 1 (all the way to the left), both combustion air and kindling air are shut off.
2. When the knob is in position 2, the combustion air is ½ open.
3. When the knob is in position 3, the combustion air is fully open.
4. When the knob is in position 4 (all the way to the right), both combustion air and kindling air are fully open.

**This setting may be used only for a short period of time during the kindling phase.**

As soon as the wood is ablaze, turn the knob to position 3 or lower (to the left), depending on your heating need.

The knob can also be placed between positions. Do not turn the knob as far down as to extinguish the fire. There must always be visible flames.

Please note that the stove and the chimney react differently in, respectively, hot and cold air, as well as in wind and still weather, which is why the air supply must be adjusted accordingly.

### Start-up Phase

1. Place the air wheel in position 4.
2. Place a firelighter and kindling at the bottom of the fire chamber.
3. Use the kindling, approx. 1.5 kg, to build a match house.
4. Start the fire.
5. Leave the door ajar for a couple of minutes during the start-up phase.
6. As soon as the wood is ablaze, turn the knob to position 3 or lower (to the left).

How much you should adjust the air wheel depends on the chimney draught and the heating need. Adjust the air wheel until the flames are steady.



DuplicAir® knob.  
Applies to all versions.

## Stoking

This wood-burning stove is intermittent, which means that new wood should be added when there is a layer of embers in the burning chamber. Stoking depends on the heating need and the degree of stoking – according to the season.

For optimal combustion, use 3 logs, 30 cm long weighing approx. 0.7 kg. Place them next to each other, on the layer of embers from the start-up phase. This ensures a combustion time of approx. 45 minutes.

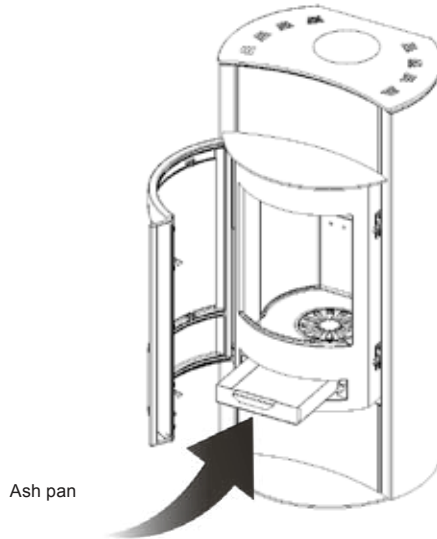


It is important not to open the door while there are flames in the stove, as this may cause smoke to flow out into the room.

1. Place the air wheel in position 4 (maximum air supply).
2. In order to minimise the low pressure, leave the door ajar for one minute before opening it fully.
3. Open the door slowly.
4. Place 3 logs (30 cm long, weighing approx. 0.7 kg) next to each other on the embers.
5. Close the door again.
6. As soon as the wood is ablaze, turn the knob to position 3 or lower. Once the flames are stable and almost translucent, the combustion is good.

### Emptying the Ash Pan

When the stove is cold, open the cover and remove the ash pan. Store and/or transport the ash properly in a closed steel container. Please note that there may be embers still hidden in the ash even after several days.



## **8. Maintenance**

Sealing bands and vermiculite panels are wearing parts which need to be renewed. How often this is needed depends on how much you use your stove. In some cases: every year, others: every second or third year. A principal rule is that the sealing band needs to be replaced when it is flattened, and the door no longer fits tightly against the front of the stove. A new set of sealing band with glue can be purchased from your local dealer.

Vermiculite panels must be renewed when they are worn thin, or when possible cracks are so wide that you can actually see steel through them. If the panels are not renewed on such occasions, they will lose their power of insulation and heat reflection. Movable and mechanical parts should be greased at least once a year with a heat-resisting lubricant (closing mechanisms, hinges etc).

The stove and the chimney must be inspected by a qualified professional at regular intervals in order to ensure the optimal operation of the stove. It is prohibited to carry out unauthorised alterations to the stove because this is illegal and will invalidate both the warranty and the tests.

### **Replacement of the Door Sealing Band**

1. Remove the sealing band from the inner frame and clean the band groove. (It is not necessary to remove the door from the stove).
2. Apply a band of heat-resistant glue on the band groove, where the old band used to be.
3. Push new sealing band down into the groove.
4. Close the door and let the glue harden for about 24 hours, before you open the door again. If you do not allow the glue to harden well enough before you open the door, the band may fall out.

### **Replacement of the Glass Sealing Band**

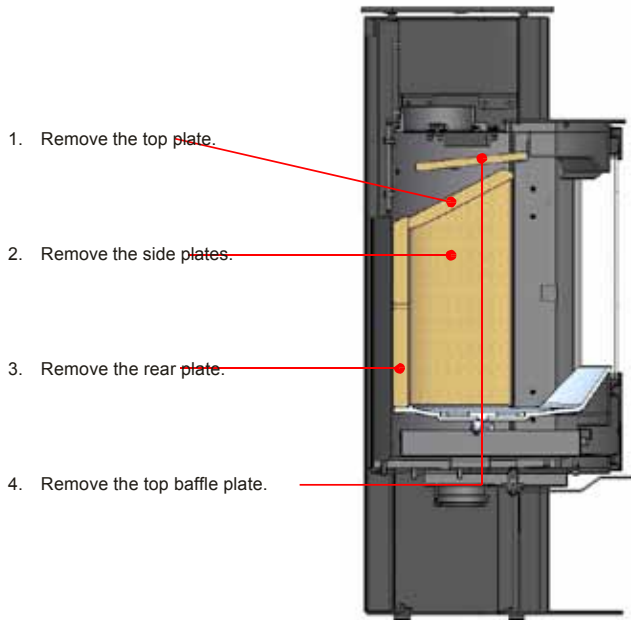
1. Dismount the bolts that hold the glass.
2. Lift the glass.
3. Remove the old band.
4. Now you can apply the new sealing band to the door.

Install the glass following the steps in reverse order.



## Replacement of Vermiculite Panels

Applies to all versions.



To install the plates back on, follow the above steps in reverse order.

Unauthorised modifications to the stove are not allowed.

## 9. Spare Parts List

Vermiculite set (incl. top baffle plate)

Item no.

56900040

Unfortunately, vermiculite plates cannot be delivered separately. They are only available in sets.

Glass	56900030
Cast-iron bottom	56900025
Shaking grate	56650100
Ash pan	56900002
Sealing set with glue	44300150
Sealing for Duplic air wheel	56900010



Jydepejsen®  
Fire by Design Since 1979

Ahornsvinget 3-7  
Nr. Felding  
7500 Holstebro  
Denmark

Tel. +45 9610 1200  
[salg@jydepejsen.dk](mailto:salg@jydepejsen.dk)  
[www.jydepejsen.com](http://www.jydepejsen.com)